





ASSEMBLY INSTRUCTION

317-480L/M Upholstered Dining Bench

HARDWARE LIST

A		Nut	Ø5/16"	8 PCS
B		Lock Washer	Ø5/16"	8 PCS
C		Flat Washer	Ø5/16"*19D	8 PCS
D		Spanner Wrench	12MM	1 PC

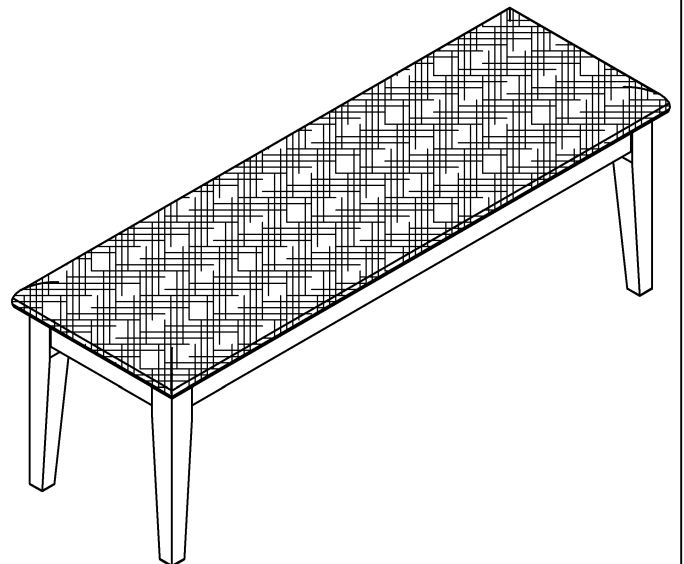
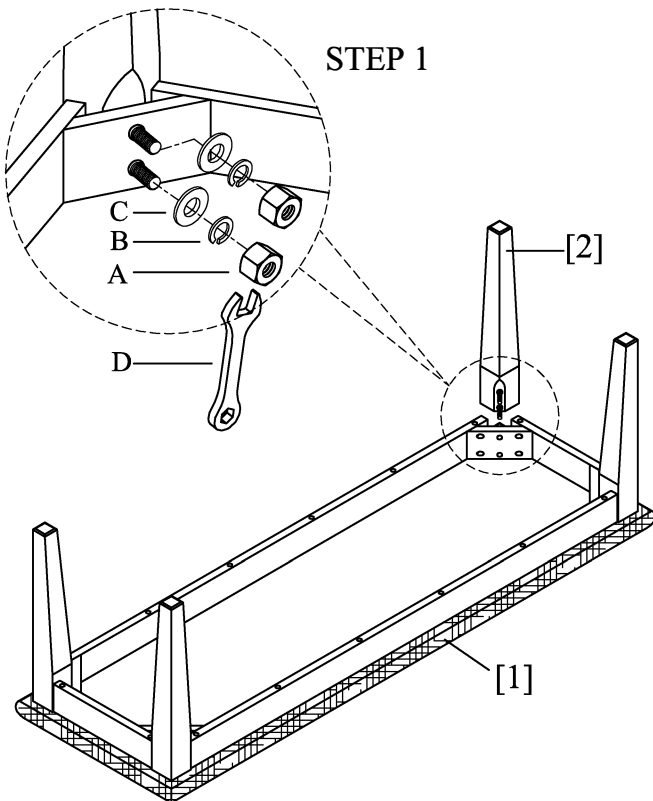
PART LIST

1	Chair Frame	1 PC
2	Leg	4 PCS

IMPORTANT NOTES

- . Place all wooden parts on clean and smooth surface such as rug or carpet to prevent the parts from being scratched.
- . Check to be sure that you have all parts and hardware.
- . Remove all wrapping materials, including staples and packing straps before you start to assemble.
- . Do not tighten all screws and bolts until completely assembled.
- . Keep all hardware out of the reach of children

STEP 1



STEP 1. Put the chair frame (1) upside down on clean soft surface and attach the leg (2) to the table top (1) as shown in the picture using nut (A), lock washer (B), flat washer (C) and tighten with spanner wrench (D).

MADE IN VIETNAM