

# 5 LAYERS CUPBOARD INSTRUCTION MANUAL

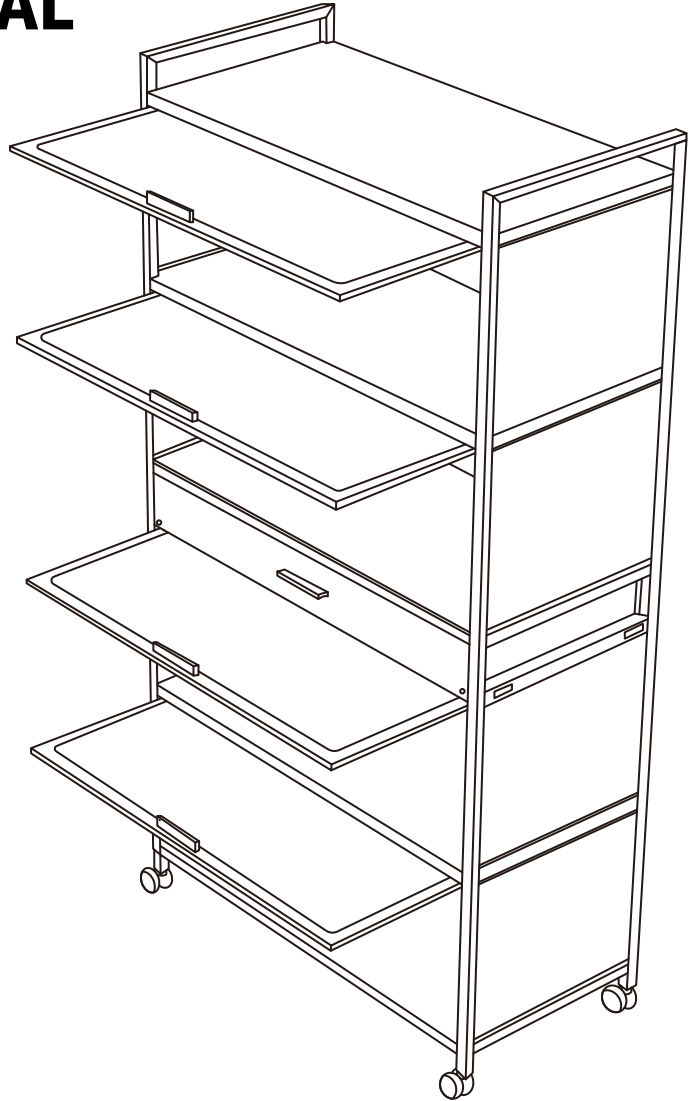
## THREE STEPS:

BODY FRAME INSTRUCTION

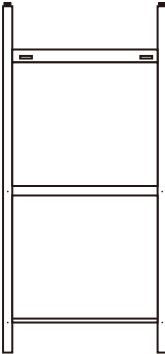
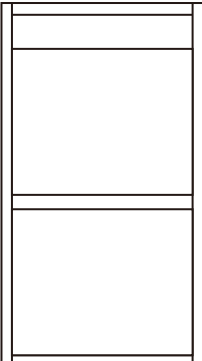

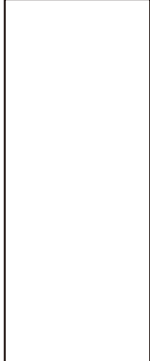





DRAWER INSTRUCTION

PUSH-LIFT DOOR INSTRUCTION

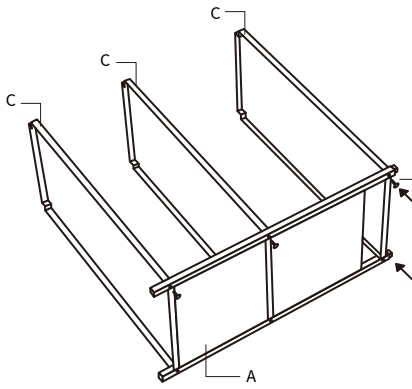
Tips: If you want to install faster,  
please use a power drill.



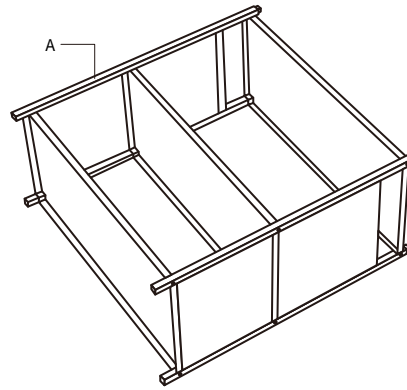
## COMPONENTS

<p><b>A</b></p>  <p>X 2</p> <p>DOWN SIDE BRACKETS</p>	<p><b>B</b></p>  <p>X 2</p> <p>UPPER SIDE BRACKETS</p>	<p><b>C</b></p>  <p>X 5</p> <p>LAYER LAMINATES</p>	<p><b>D</b></p>  <p>X 4</p> <p>BACKSIDE STEEL LAMINATES</p>
<p><b>E</b></p>  <p>X 16</p> <p>PLASTIC NAILS</p>	<p><b>F</b></p>  <p>X 20</p> <p>NUTS</p>  <p>X 20</p> <p>SCREWS</p>	<p><b>G</b></p>  <p>X 2</p> <p>CASTER</p>	<p><b>H</b></p>  <p>X 2</p> <p>CASTER WITH BRACKET</p>

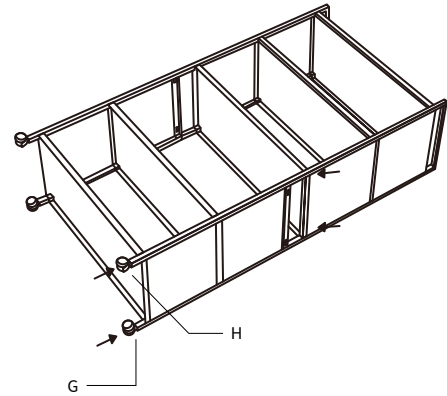
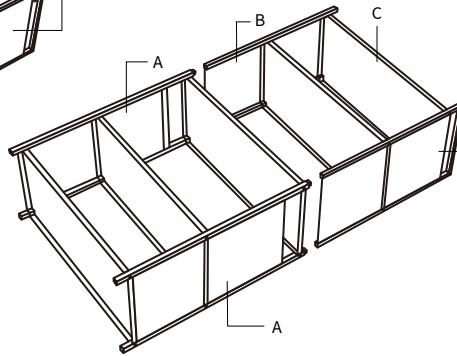
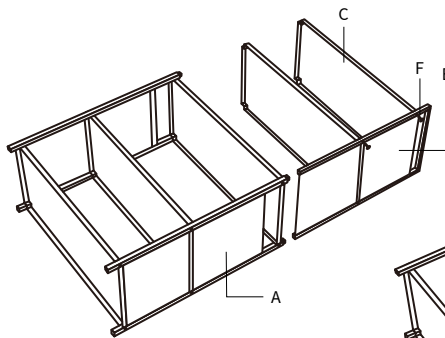
## BODY FRAME INSTRUCTION



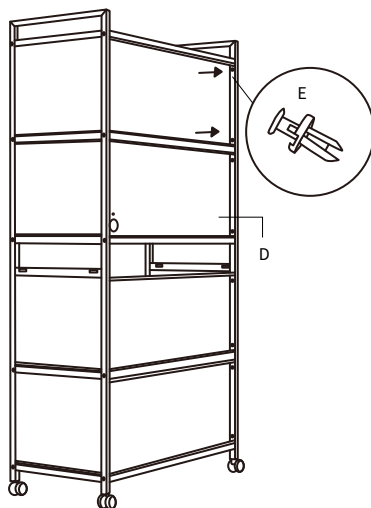
**1** INSTALL DOWNSIDE BRACKETS WITH LAYER LAMINATES X 3  
USE SCREWS TO FIX FULL SIDE.



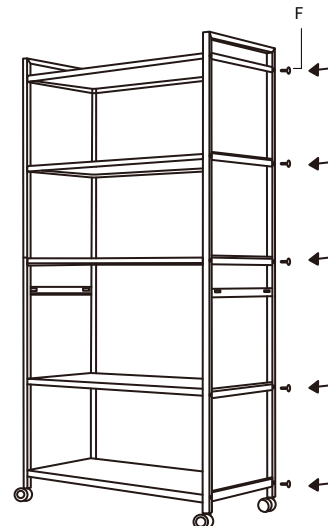
**2** IINSTALL SECOND DOWNSIDE BRACKETS WITH LAYERS LAMINATES X 5 ON OTHER SIDE  
USE SAME SCREWS TO FIX FULL SIDE.



**3** IINSTALL UPPER SIDE BRACKETS X 2 WITH LAYER LAMINATES X 2  
THEN MATCH THE UPPER SIDE FRAME TO DOWNSIDE FRAME AS COMPLETED BODY FRAME.  
INSTALL 4PCS CASTERS ON THE LEGS. 2 WITH BRAKETS ON FRONT LEGS.



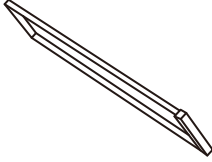

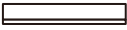
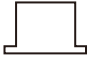




**4** MAKE THE CUPBOARD FRAME ON UPRIGHT POSITION.



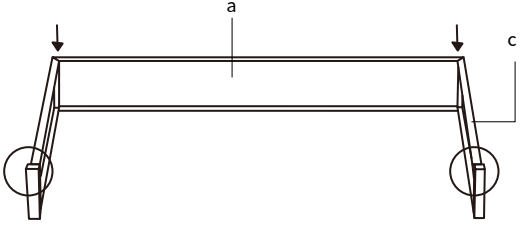
**5** BACKSIDE STEEL LAMINATES INSTALL ONE BY ONE ON BACK POSITION WITH PLASTIC PLUGS.

# COMPONENTS

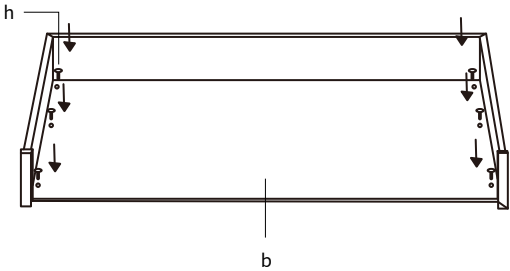
<p><b>a</b></p>  <p>BACK SIDE PANEL</p>	<p><b>b</b></p>  <p>BASE SIDE PANEL X 8</p>	<p><b>c</b></p>  <p>LEFT/RIGHT SIDE PANEL X 2</p>		
<p><b>d</b></p>  <p>FRONT SIDE PANEL</p>	<p><b>e</b></p>  <p>ALUMINUM ALLOY HANDLE</p>	<p><b>f</b></p>  <p>LIMITED PLUGS X 2</p>	<p><b>g</b></p>  <p>DRAWER PLASTIC PLUG</p>	<p><b>h</b></p>  <p>SCREW X 14</p>



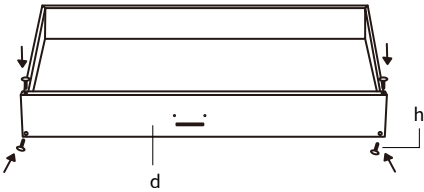
## DRAWER INSTRUCTION



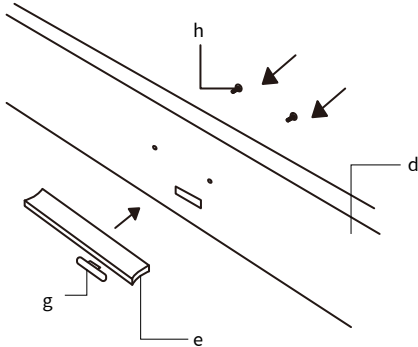
**1** INSTALL BACK SIDE PANEL WITH LEFT/RIGHT SIZE PANEL BY 2 SCREWS



**2** INSTALL BASE SIDE PANEL WITH 1) BY 6 SCREWS

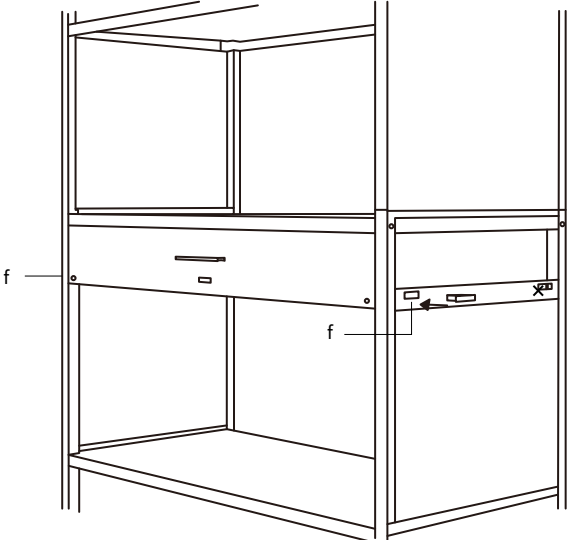


**3** AFTER 1) AND 2) FINISHED, FIXED 4 SCREWS










**4** PUT PLASTIC PLUG ON HOLE THEN INSTALL THE HANDLE. THE DRAWER IS COMPLETED.

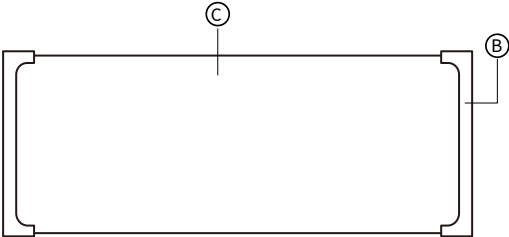
**5** FINAL STEL IS PUT THE DRAWER TO THE BODY FRAME ON THE DRAWER POSITION THEN INSTALL THE LIMITED PLUG X2 ON LEFT AND RIGHT SIDE.SEE PICTURE CLEARLY.



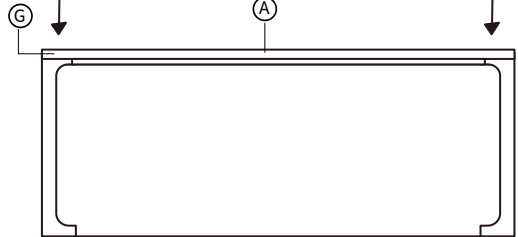
# COMPONENTS

<p><b>(A)</b></p>  <p>X8</p> <p>GLASS UP/DOWN SPLINTS</p>	<p><b>(B)</b></p>  <p>X8</p> <p>GLASS LEFT/RIGHT SPLINTS</p>	<p><b>(C)</b></p>  <p>X4</p> <p>GLASS</p>	
<p><b>(D)</b></p>  <p>X4</p> <p>STEEL MAGNETIC PIECE</p>	<p><b>(E)</b></p>  <p>X4</p> <p>ALUMINUM ALLOY HANDLE</p>	<p><b>(F)</b></p>  <p>X8</p> <p>HANDLE SCREWS</p>	<p><b>(G)</b></p>  <p>X16</p> <p>SPLINTS SCREWS</p>

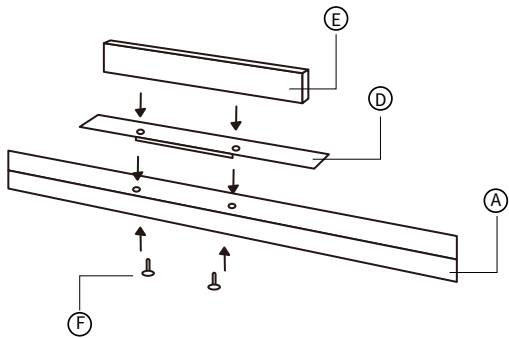
## PUSH-LIFT DOOR INSTRUCTION



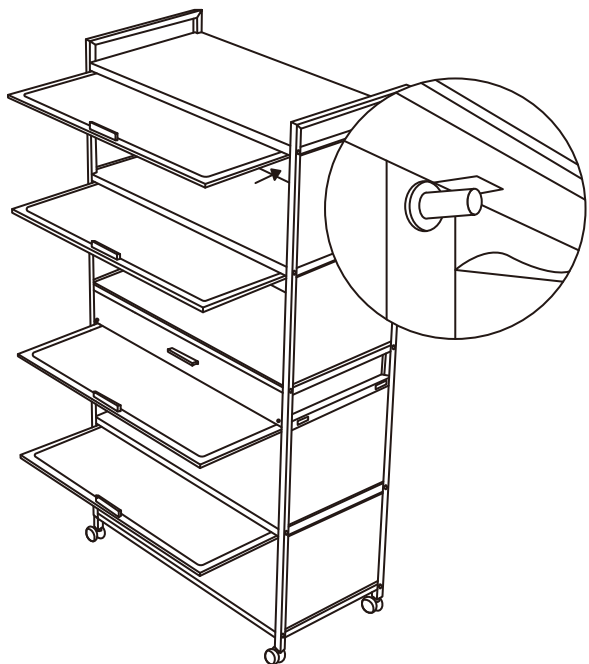
**1** LEFT/RIGHT SPLINTS X8 MATCH 4 GLASSES



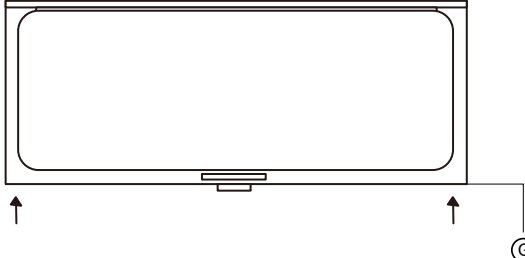
**2** UP SPLINTS X4 MATCH 4 GLASSES



**3** 4PCS STEEL MAGNETIC PIECES + 4PCS ALUMINUM ALLOY HANDLES TOGETHER INSTALL ON 4PCS DOWN SPLINTS WITH 2 SCREWS (GLASS DOOR TOTAL 4 SETS)



**5** AFTER FINISHED DRAWER TO THE BODY FRAME, THEN INSTALL THE GLASS DOOR SEE PICTURE CLEARLY.



**4** AFTER FINISHED 3), DOWN SPLINTS INSTALL TO THE GLASS THE DOOR IS COMPLETED