

Vanity Lights

Thank you for purchasing our products. To ensure a better shopping experience, please follow the instructions for use step by step.

Notes/Warnings:

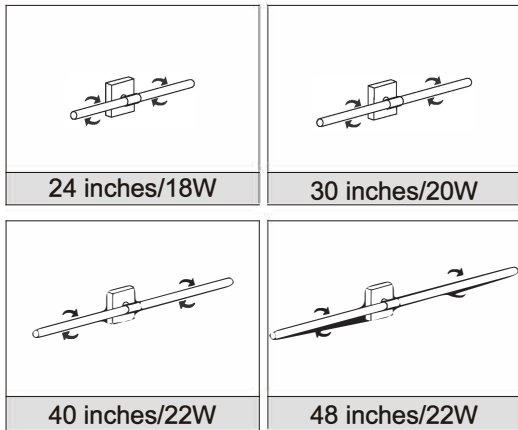
- 1> Please ensure installation on a stable surface.
- 2> Prior to installation, please power off the device.
- 3> Verify all components upon receipt. If any parts are missing or damaged, please contact your supplier.
- 4> Once installed, switch on the power to activate the lamp.

Parameters Table:

Model	Input Voltage	CRI	Color Temperature	Angle Adjustment	IP Rating	Ta
A	AC90-132V/ 60HZ	>85	2700K-6500K	360° rotation	IP44	-25°C-40°C
B	AC90-132V/ 60HZ	>85	2700K-6500K	360° rotation	IP44	-25°C-40°C

1

Product Diagram:

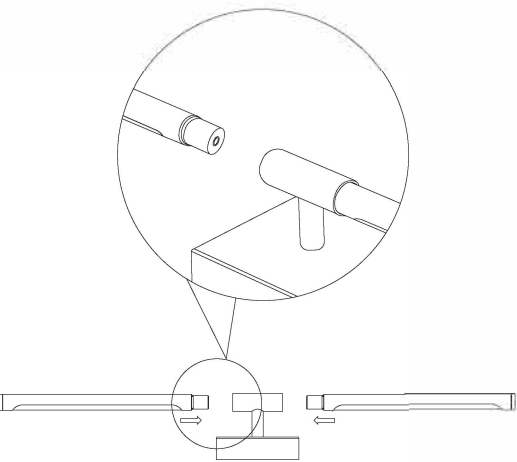


2

Installation Diagram:

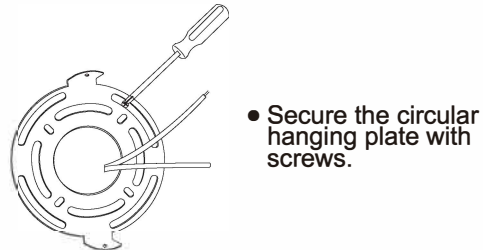
1. Install LED tubes

- 1> Insert both light tubes horizontally into the holes of the T-shaped connecting rod.
- 2> Rotate the light tubes to adjust the lighting direction.



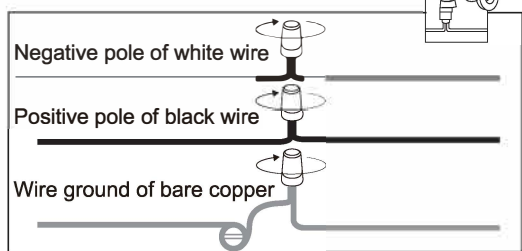
3

2. Install fixing plates



• Secure the circular hanging plate with screws.

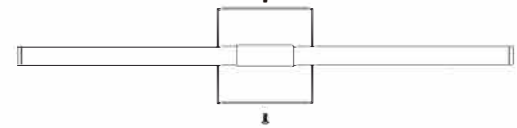
3. Connect the wires



4

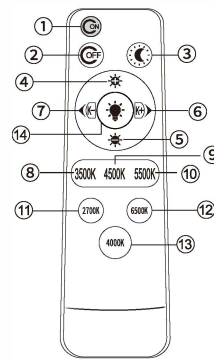
Tighten the screw cap first, and then wrap it with electrical tape.

4. Fix the installation



Insert the chassis into the fixing plate, tighten the upper and lower screws, and the installation is complete.

Functions of Remote Control:



- ① ON
- ② OFF
- ③ Night Light
- ④ Brightness +
- ⑤ Brightness -
- ⑥ Color Temperature +
- ⑦ Color Temperature -
- ⑧ 3500K (Warm White)
- ⑨ 4500K (Natural Light)
- ⑩ 5500K (Cold White)
- ⑪ 2700K (Warm White)
- ⑫ 6500K (Cold White)
- ⑬ 4000K (Natural Light)
- ⑭ Memory mode key

5

- ⑩ 5500K (Cold White)
- ⑪ 2700K (Warm White)
- ⑫ 6500K (Cold White)
- ⑬ 4000K (Natural Light)
- ⑭ Memory mode key: When set to your preferred brightness/color temperature setting, press and hold this key for "3 seconds" and the light will flash once, indicating that your preferred mode has been saved. Regardless of the current mode, simply press the button to return to your preferred mode. If you wish to make changes, repeat the operation.

Remote control code: Within 30 seconds of powering on the power switch, press and hold the 4000K color temperature key (about 3-5 seconds), and the light will flash twice to indicate successful connection. The light can now be controlled by the remote control.

After-sale Service:

1> The warranty period is calculated from the date of purchase, please keep your purchase invoice or relevant vouchers as the necessary basis for warranty service.

6

2> Within 2 years from the date of purchase, customers can enjoy the free warranty service provided by our company.

3> If you have any questions about the product, please contact our customer service, our after-sales team will contact you at the first time, and solve any problems about the product.



IP44

MADE IN CHINA

7