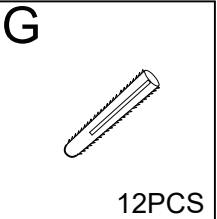
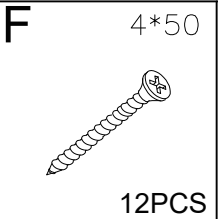
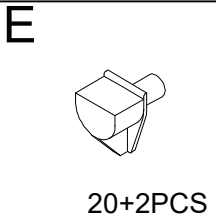
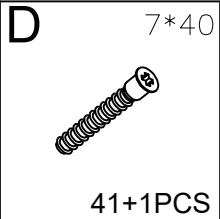
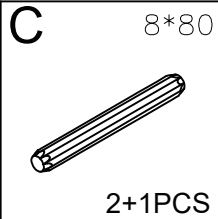
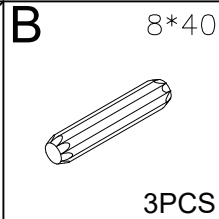
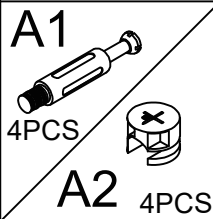
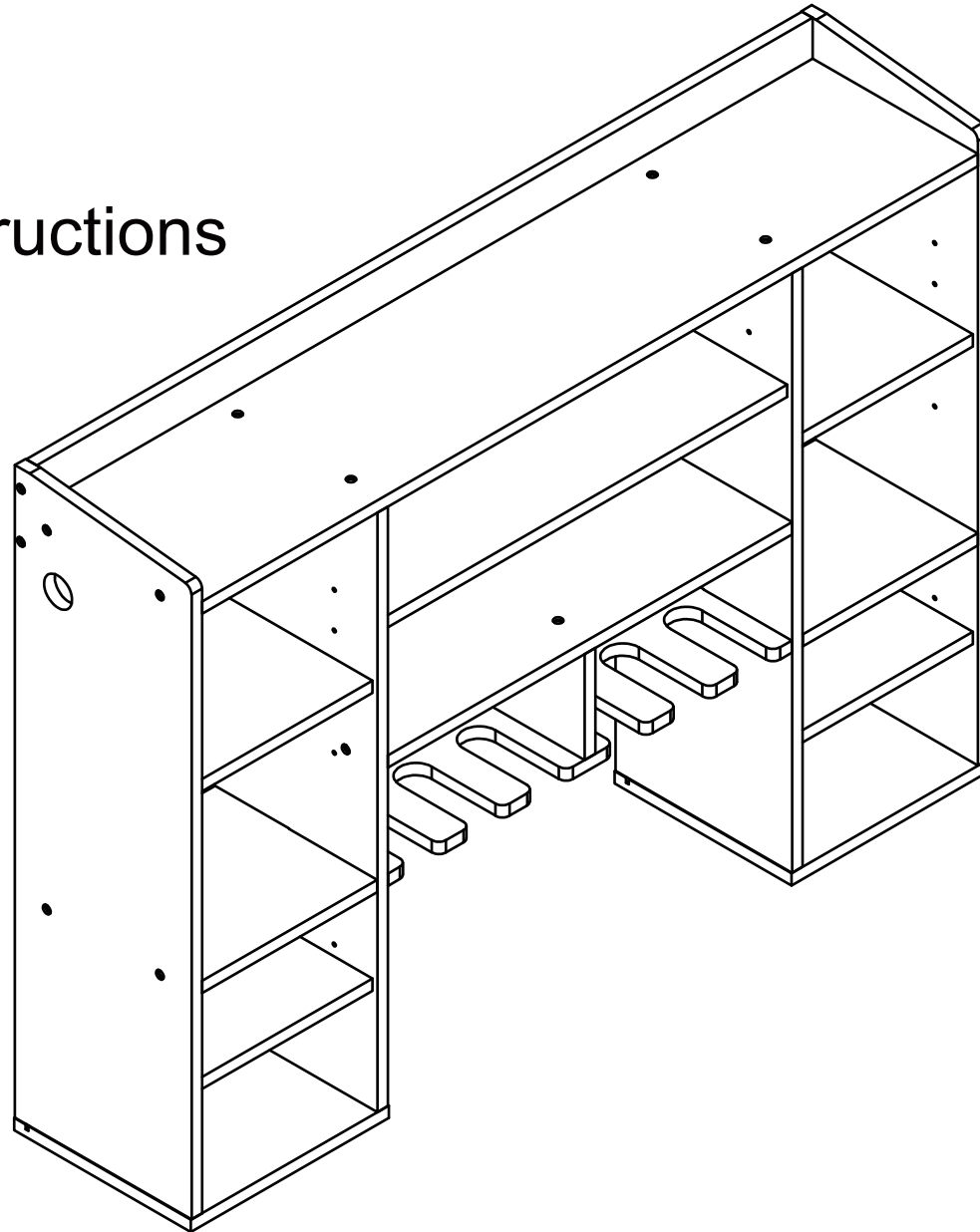


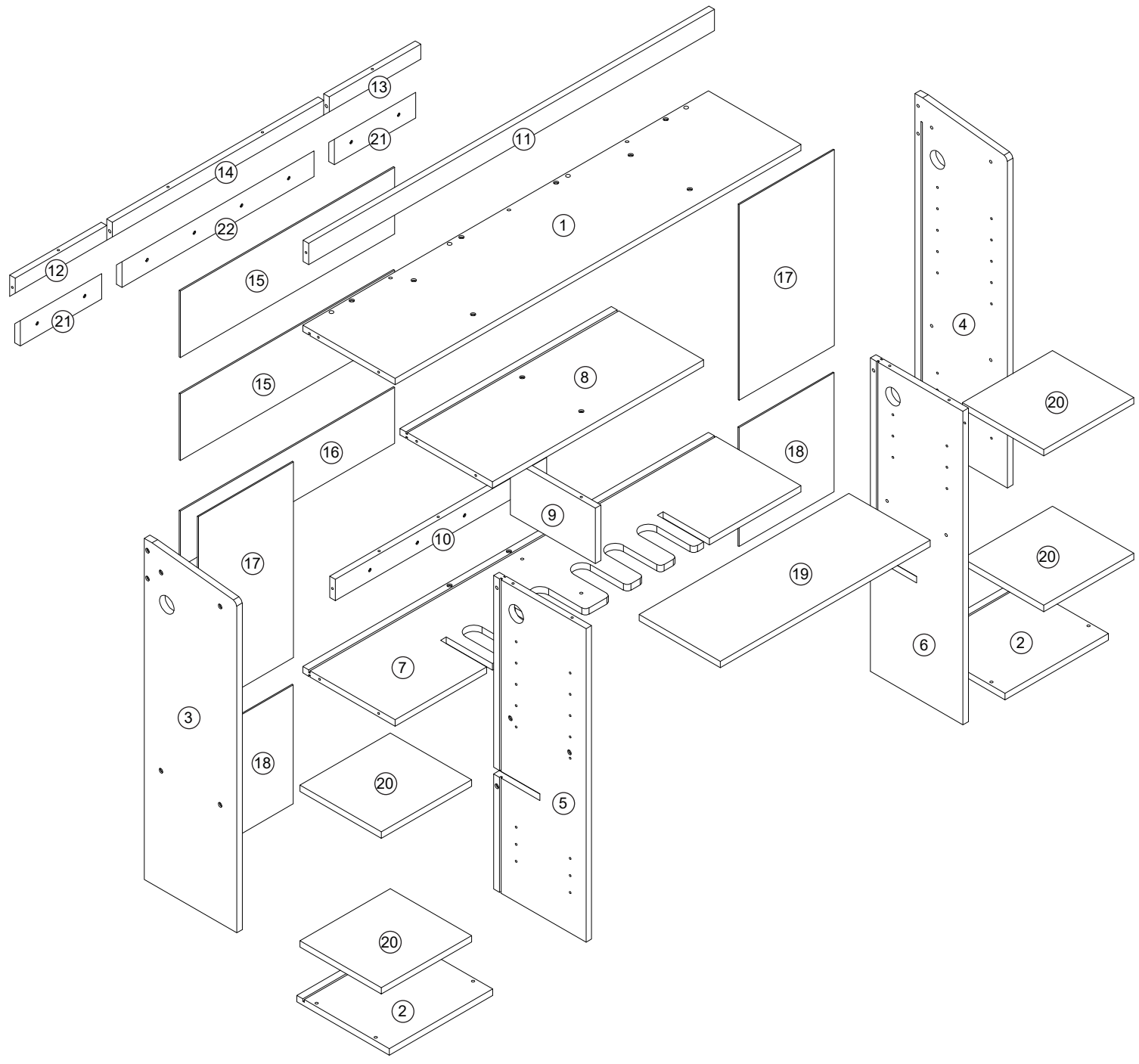
GOOD LIFE

Assembly Instructions

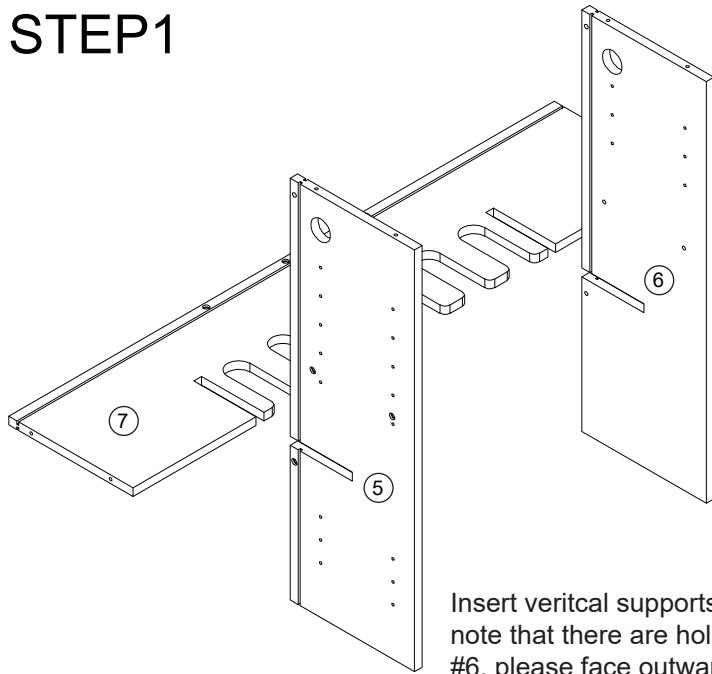


Power Tool Organizer

HOU714

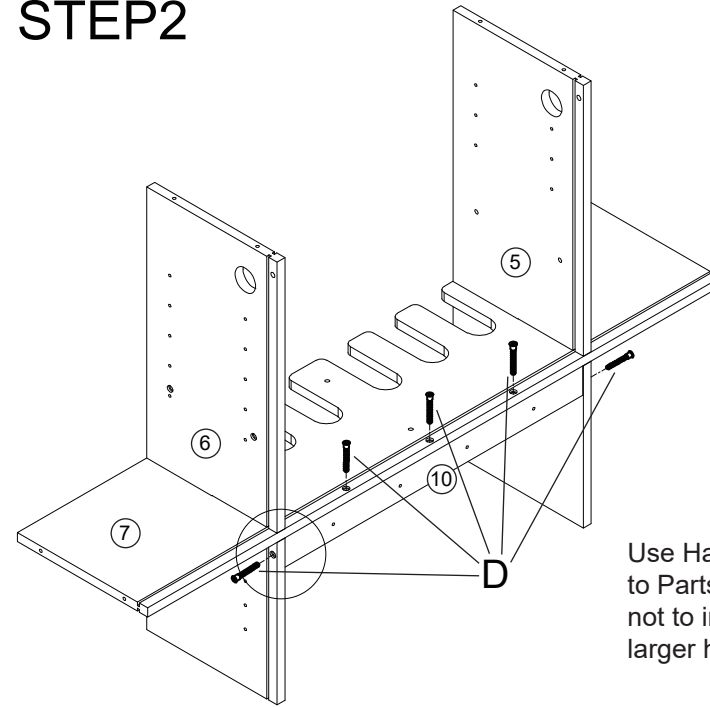


STEP1



Insert vertical supports #5 and #6 into part #7, please note that there are holes in the lower part of #5 and #6, please face outward.

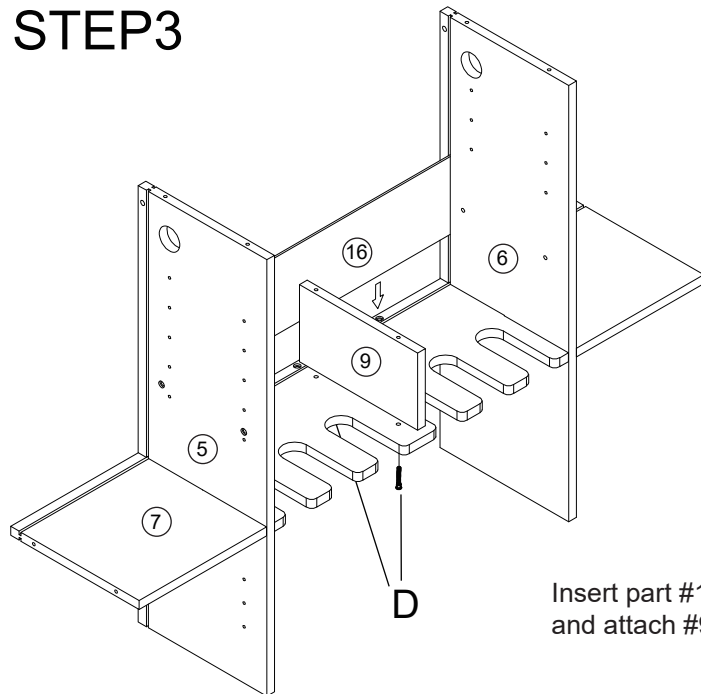
STEP2



Use Hardware D to attach part #10 to Parts #5, #6, & #7. Please be careful not to install #10 backwards, with the larger hole facing outwards.

D*5

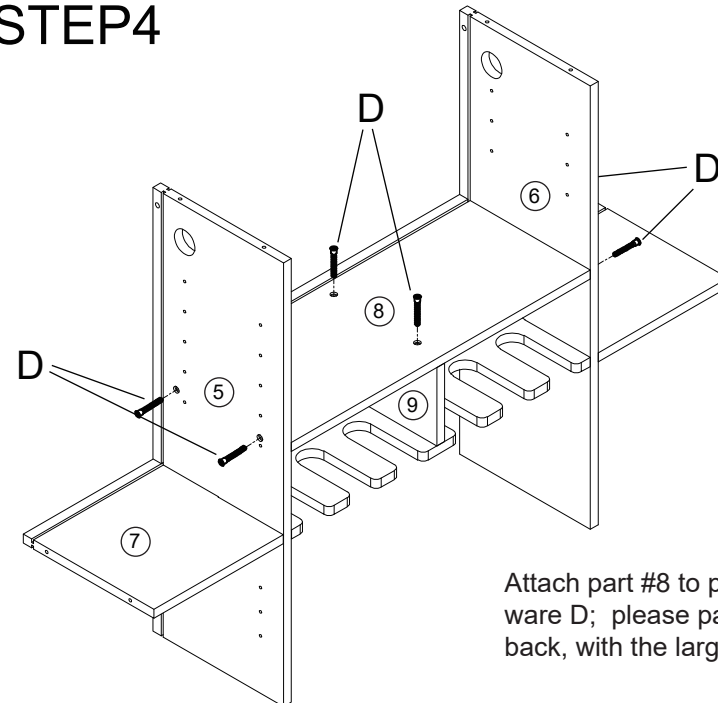
STEP3



Insert part #16 into slots of part #5 & #6, and attach #9 to part #7 with hardware D.

D*2

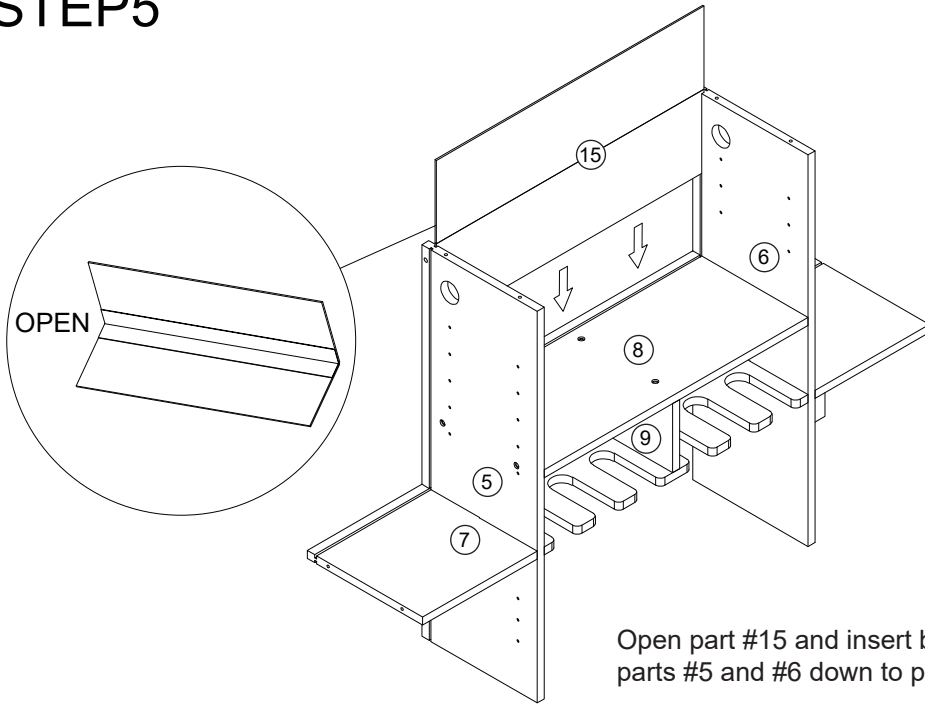
STEP4



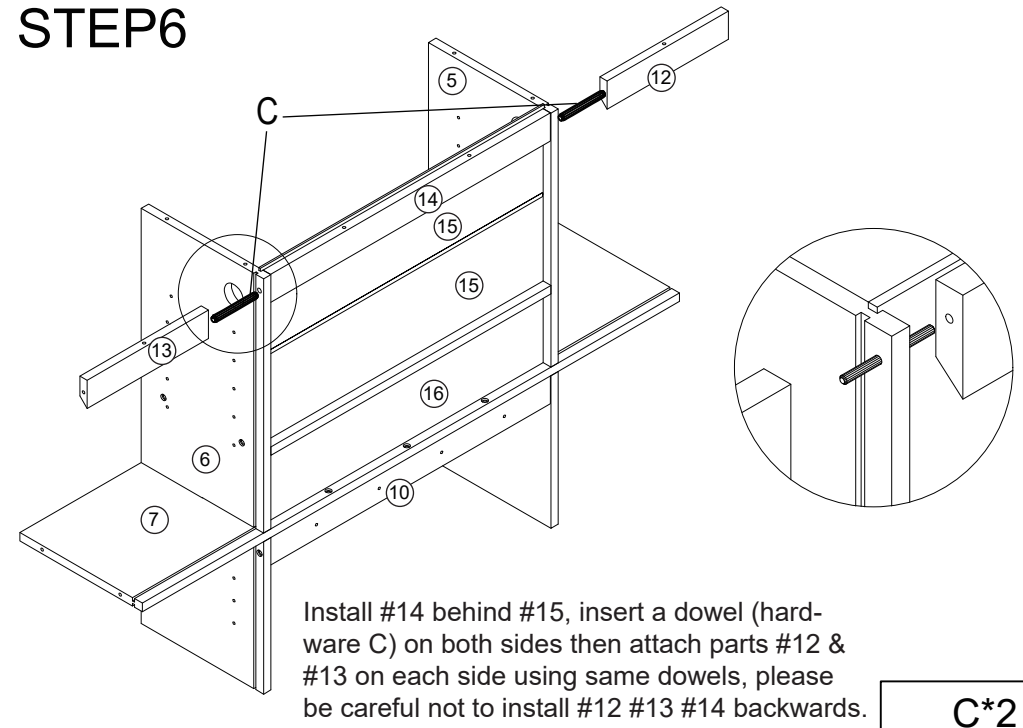
Attach part #8 to parts #5, #6, & #9 using hardware D; please pay attention to the front & back, with the larger hole facing upwards.

D*6

STEP5

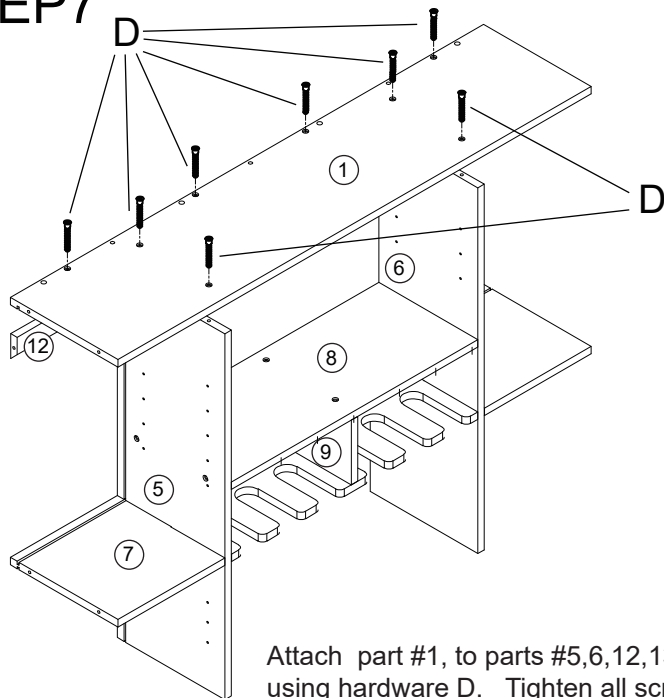


STEP6



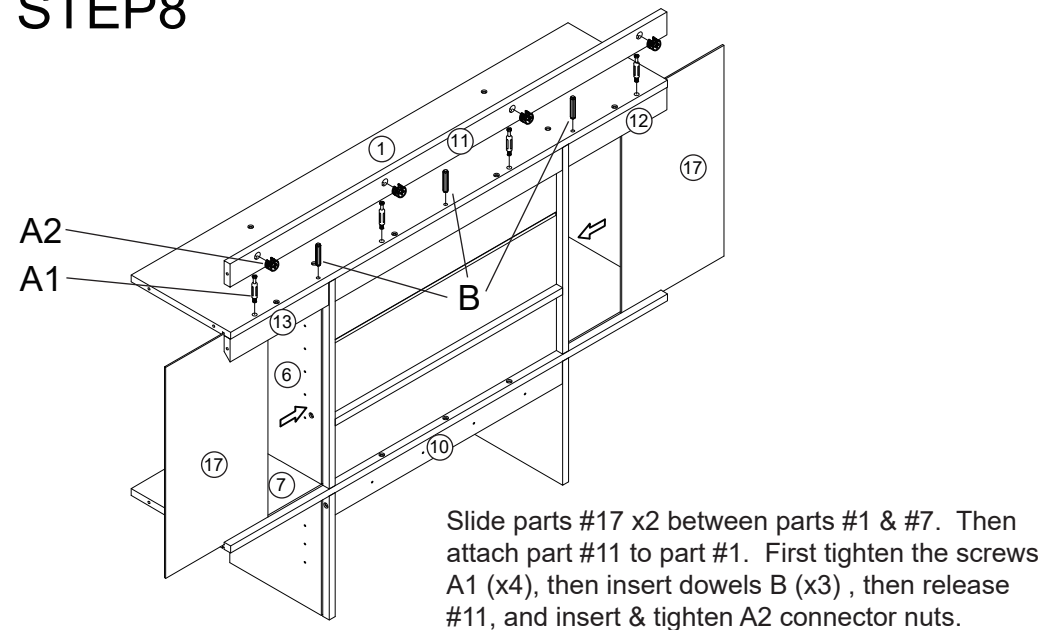
C*2

STEP7



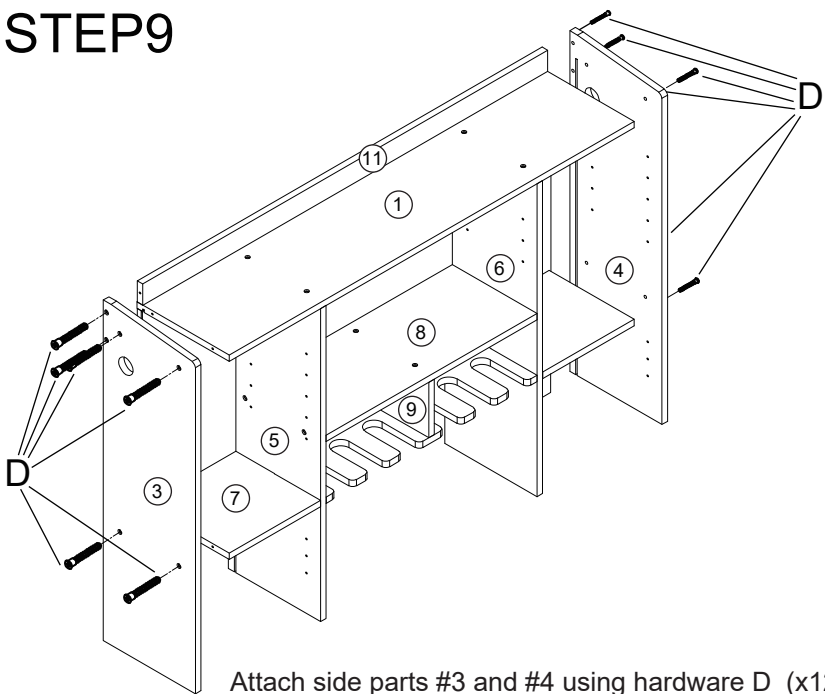
D*8

STEP8



A*4 B*3

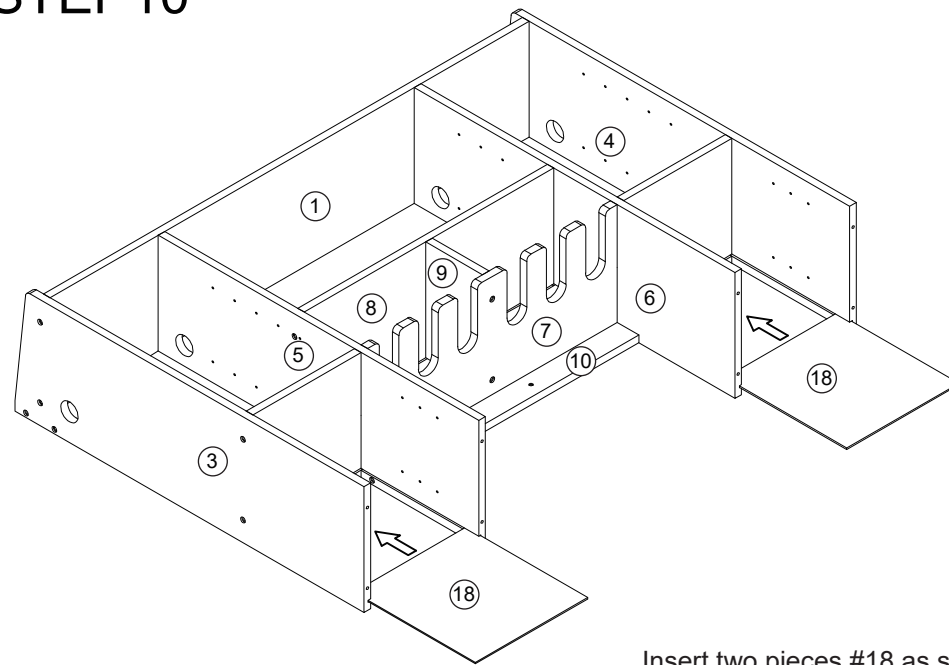
STEP9



Attach side parts #3 and #4 using hardware D (x12), please pay attention to the hole position inward.

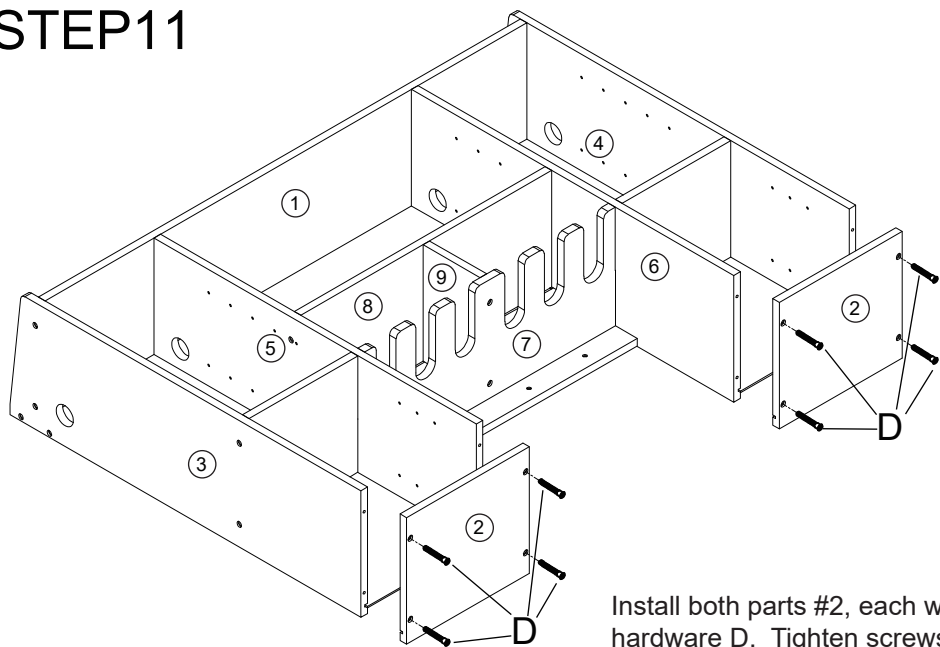
D*12

STEP10



Insert two pieces #18 as shown.

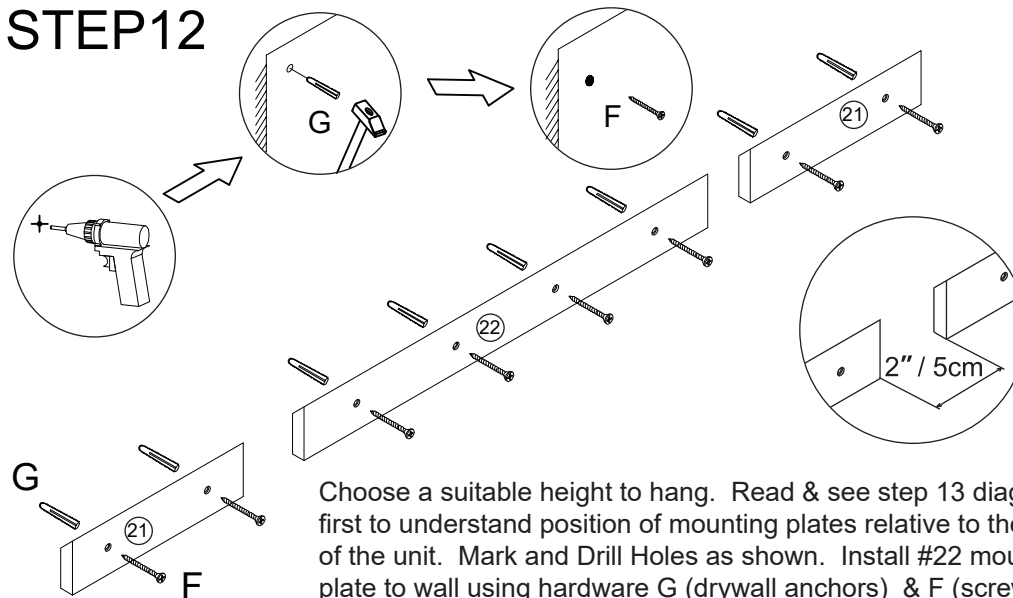
STEP11



Install both parts #2, each with four hardware D. Tighten screws D (x8).

D*8

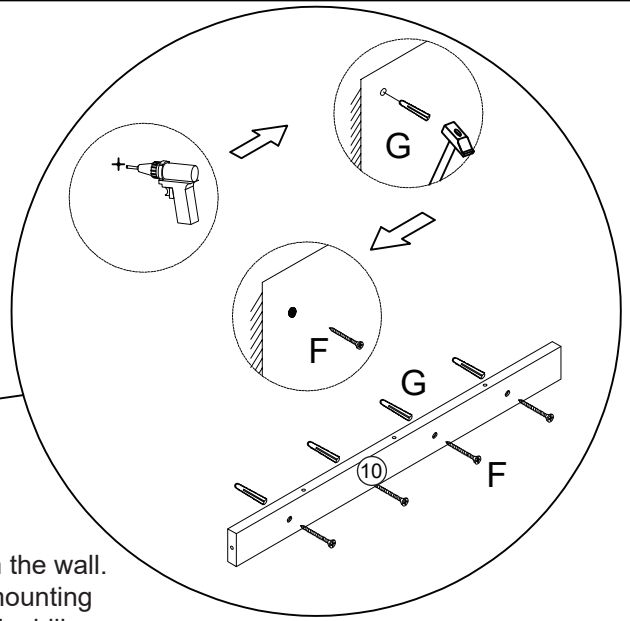
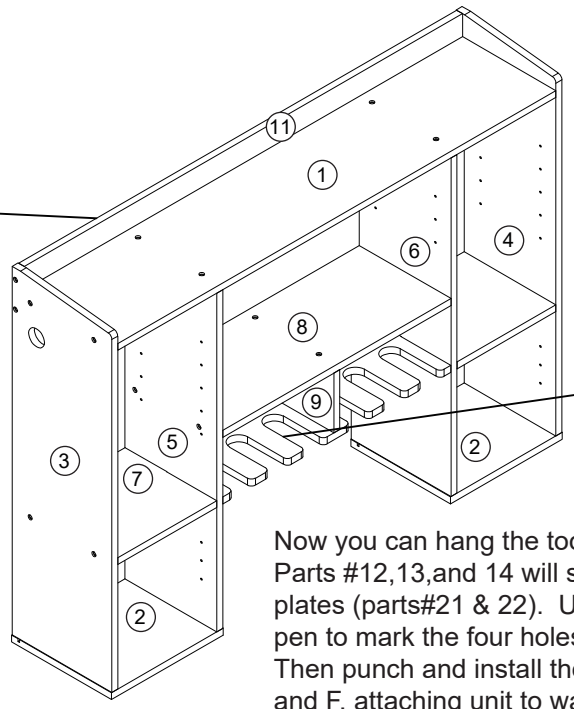
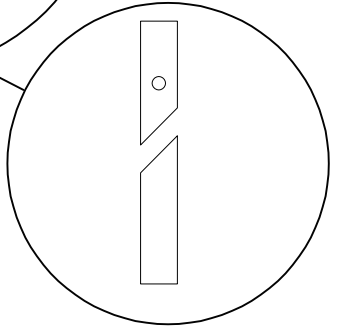
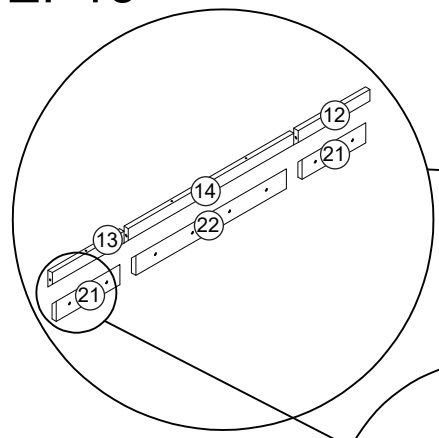
STEP12



Choose a suitable height to hang. Read & see step 13 diagram first to understand position of mounting plates relative to the top of the unit. Mark and Drill Holes as shown. Install #22 mounting plate to wall using hardware G (drywall anchors) & F (screws). After attaching, leave 2 inches on the left and right, then attach the mounting plate accessories #21 (x2) in same manner.

F*12 G*12

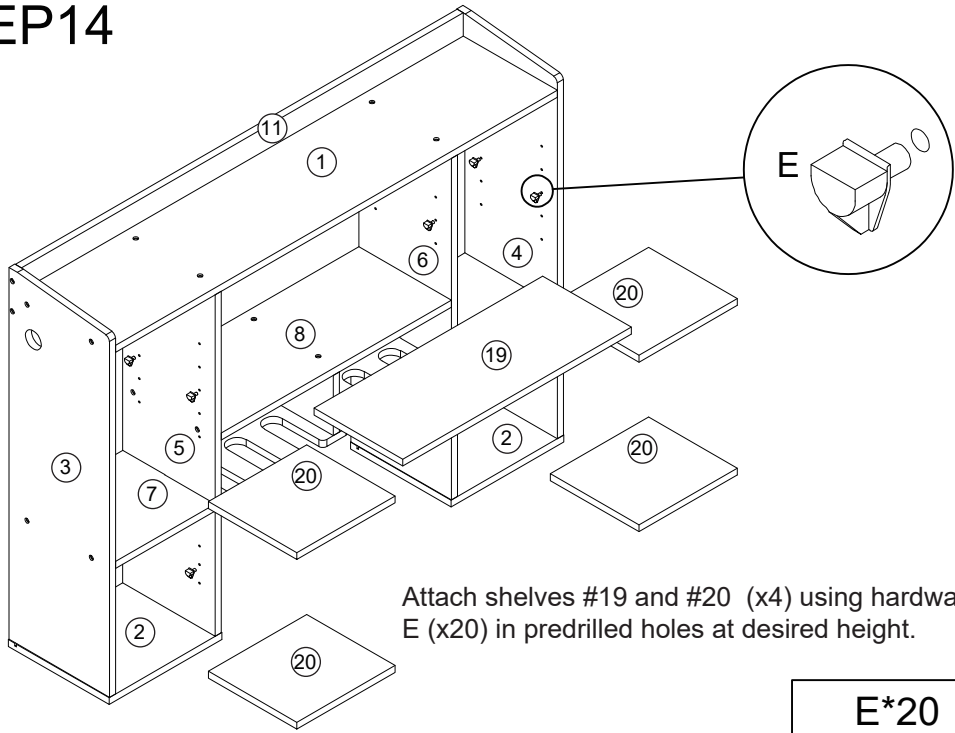
STEP13



Now you can hang the tool cabinet on the wall. Parts #12, 13, and 14 will sit on back mounting plates (parts #21 & 22). Use an electric drill or a pen to mark the four holes of #10. Then punch and install the expansion screws G and F, attaching unit to wall.

F*4 G*4

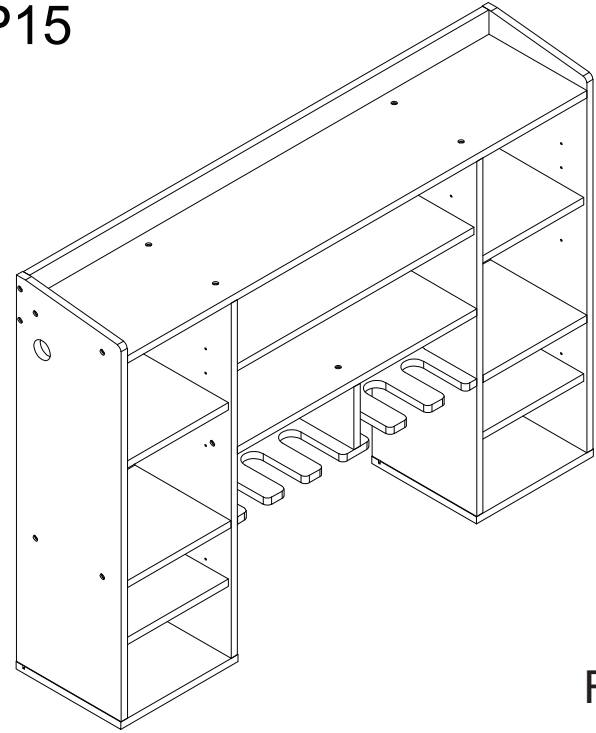
STEP14



Attach shelves #19 and #20 (x4) using hardware E (x20) in predrilled holes at desired height.

E*20

STEP15



Finish Installation