



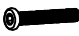




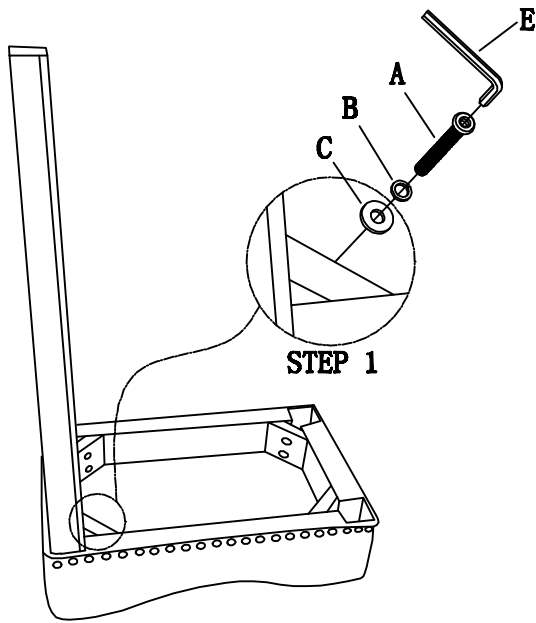


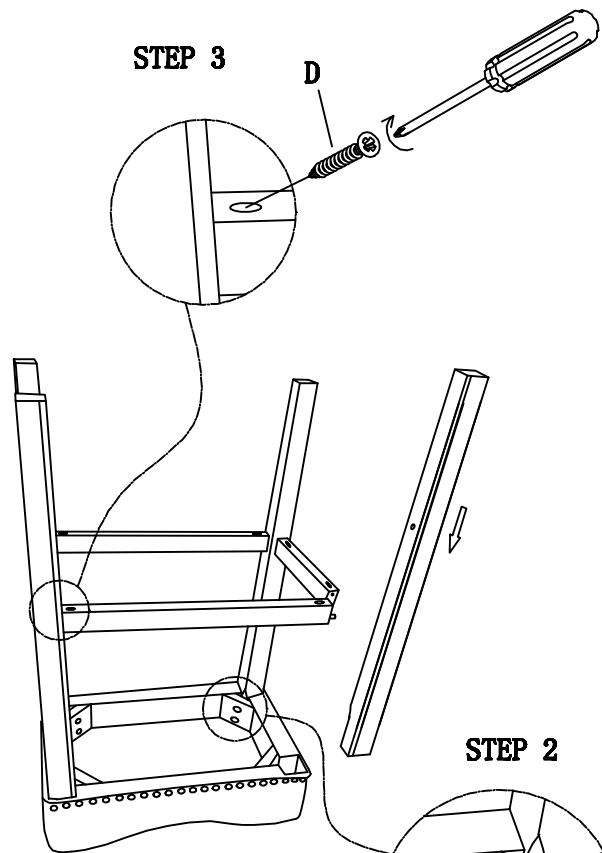
ASSEMBLY INSTRUCTION

PARTS			
1	SEAT		1pc
2	LEG		4pcs
3	SHORT STRETCHER		2pcs
4	LONG STRETCHER		2pcs

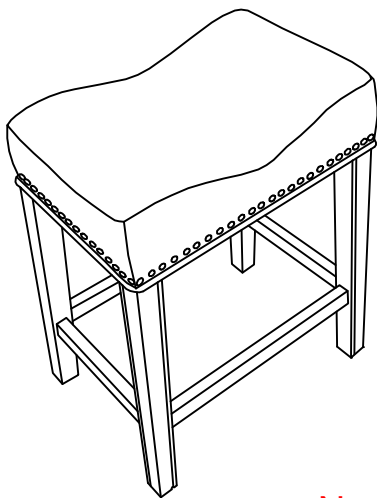
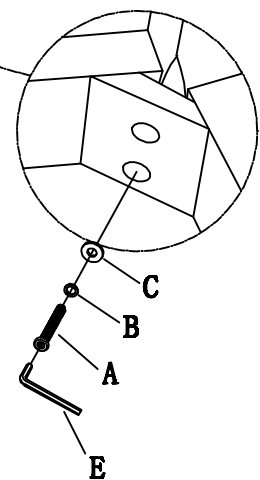
NO	HARDWARE LIST		Q' TY
A		Ø5/16 " *2-1/4"	8pcs
B		Ø5/16 "	8pcs
C		Ø5/16 " *22mm	8pcs
D		M8 *1-3/4"	8pcs
E		M5	1pc



Note: Don't fully tighten all bolts on setp 1, 2 and 3.



STEP 2



Note: Please tighten all bolts on step 4