



Assembly instructions for the rocking chair, including tool and material requirements, time, and person count.



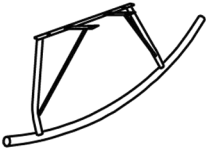
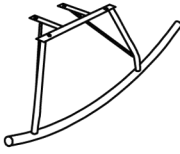

**Tools:** An icon of an L-shaped Allen key is shown inside a circle. To its right, a power drill is shown with a diagonal line through it, indicating it is not to be used.

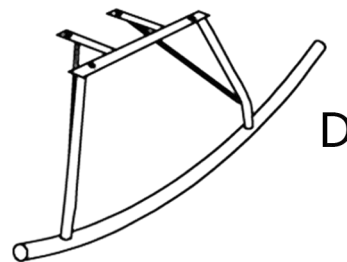
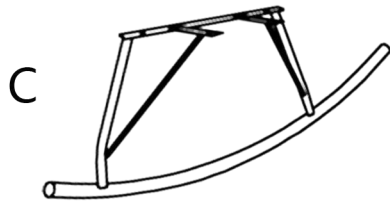
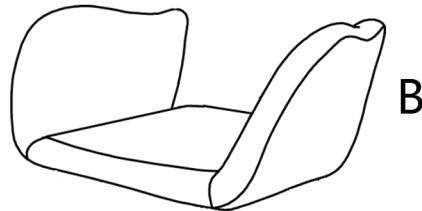
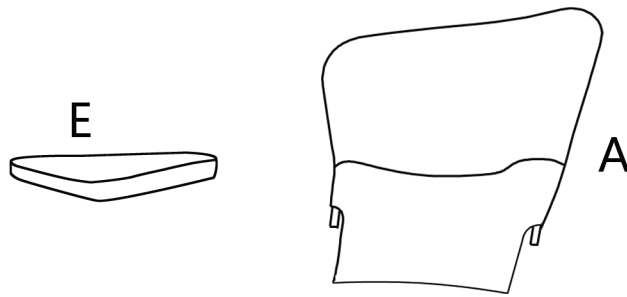
**Materials:** An icon of a rectangular foam cushion is shown inside a circle. To its right, a square block is shown with a diagonal line through it, indicating it is not to be used.

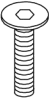
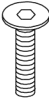
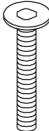
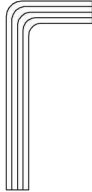

**Warnings:** Two warning triangles, each containing an exclamation mark, are positioned to the right of the tool and material icons.

**Time:** A clock icon is shown with the number 30' below it, indicating an estimated assembly time of 30 minutes.

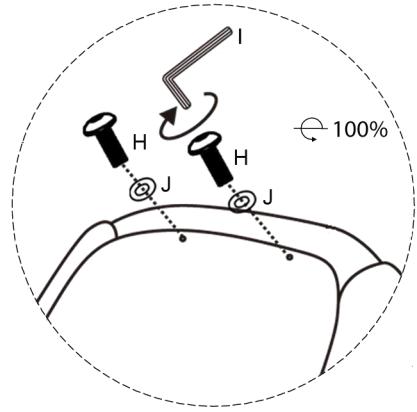
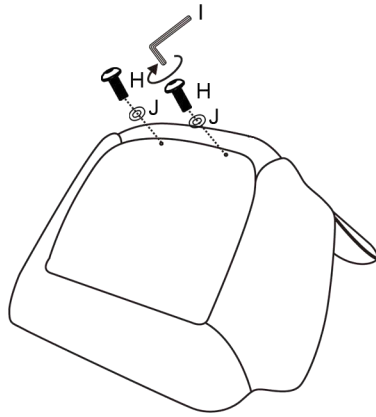
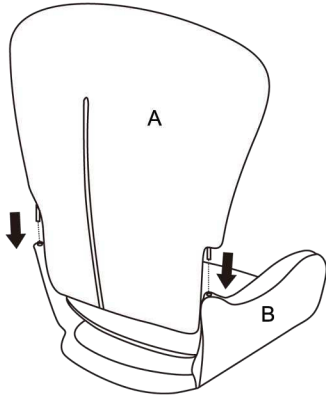
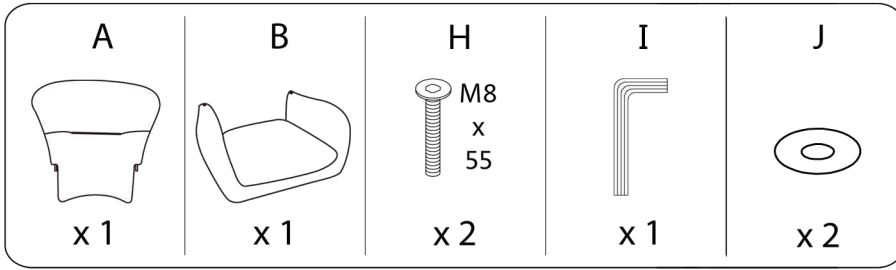
**Person Count:** An icon of a person is shown with the number 1 below it, indicating that one person is required for assembly.

<b>A</b>	<b>B</b>	<b>C</b>	<b>D</b>	<b>E</b>
				
<b>x 1</b>	<b>x 1</b>	<b>x 1</b>	<b>x 1</b>	<b>x 1</b>

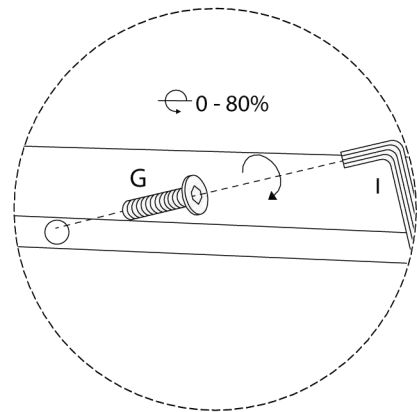
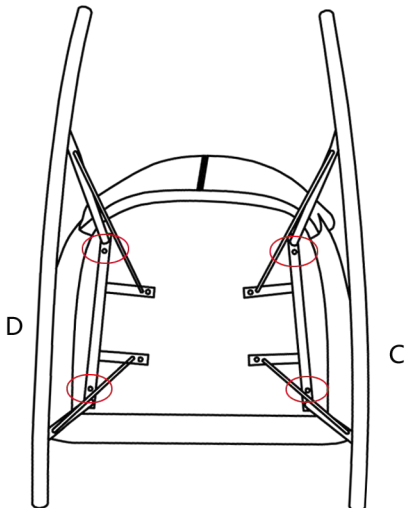
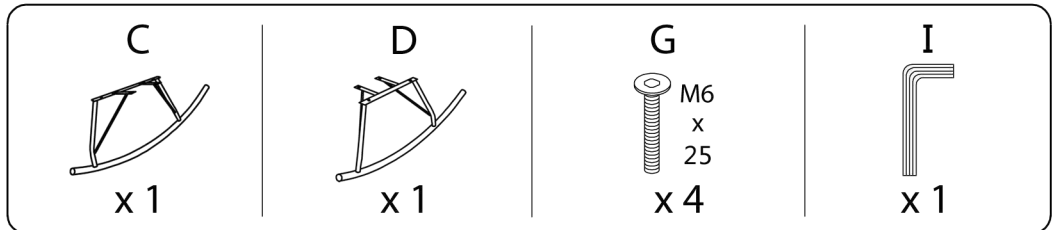


<b>F</b>	<b>G</b>	<b>H</b>	<b>I</b>	<b>J</b>
 M6 x 20	 M6 x 25	 M8 x 55		
<b>x 4</b>	<b>x 4</b>	<b>x 2</b>	<b>x 1</b>	<b>x 2</b>

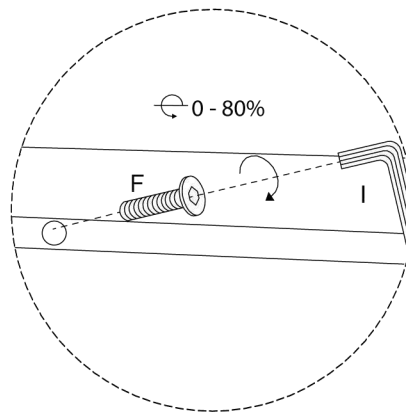
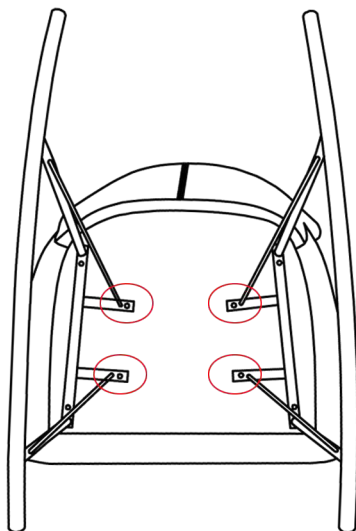
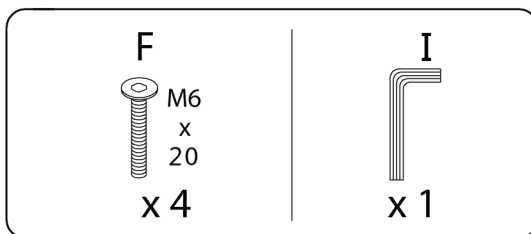
1



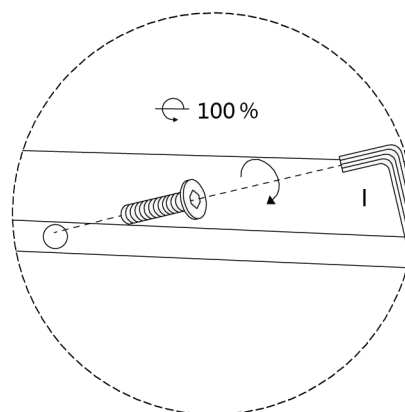
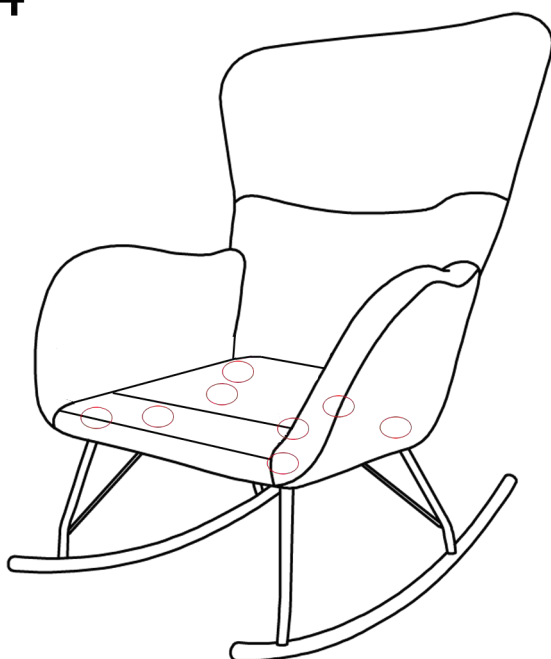
2



3



4



5

E



x 1

