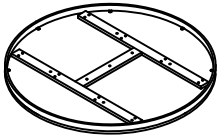
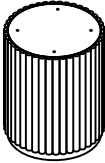
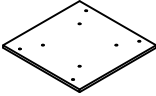




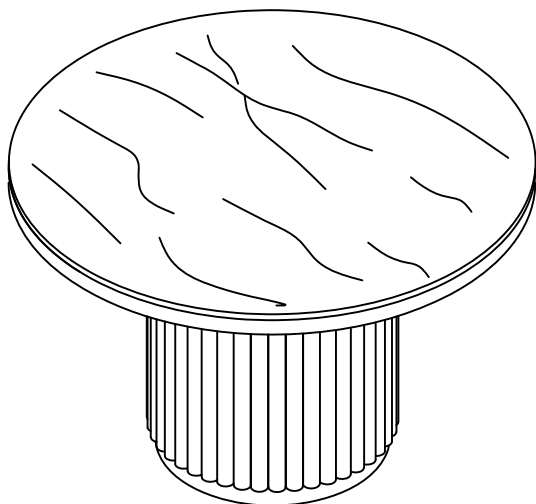


ASSEMBLY INSTRUCTIONS

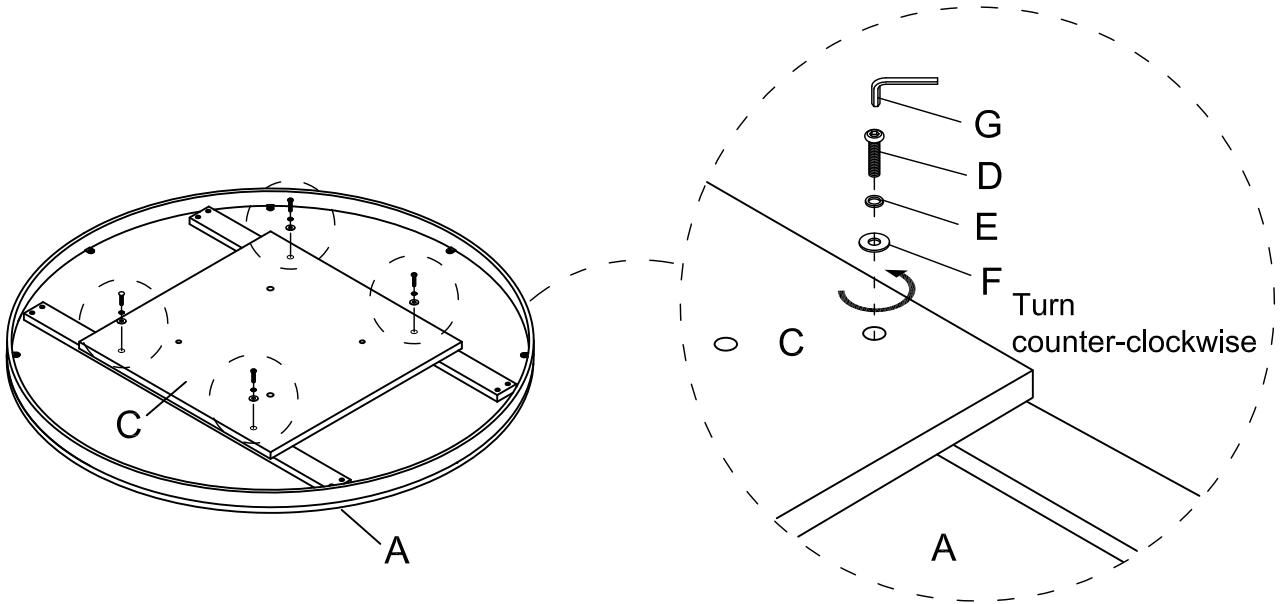
46" ROUND DINING TABLE

A Table Top	B Pedestal Base	C Connecting Plate	D Bolt ϕ5/16" x 1-1/2"
			
1PC	1PC	1PC	12PCS
E Spring Washer 5/16"	F Flat Washer 5/16" x 19mm	G Wrench 5mm	
			
8PCS	8PCS	1PC	

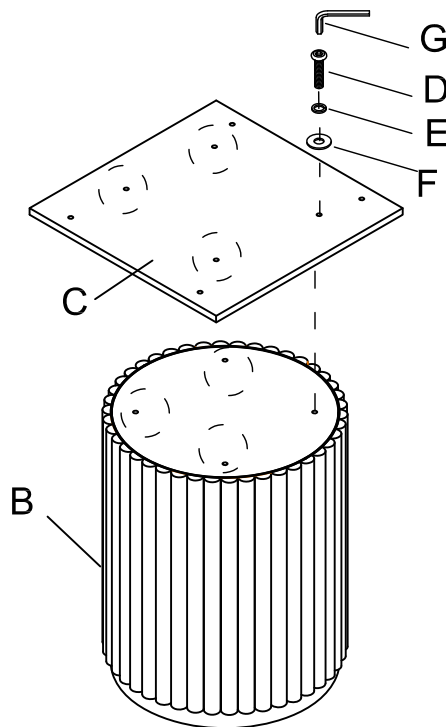


This page lists all the contents included in the box. Please take the time to identify the hardware as well as the individual components to this product. As you unpack and prepare for assembly, place the contents on a carpeted or padded area to protect them from damage.

- 1** Detach the Connecting Plate (C) from the Table Top (A) by unfastening Bolt (D), Spring Washer (E) and Flat Washer (F) with Wrench (G).

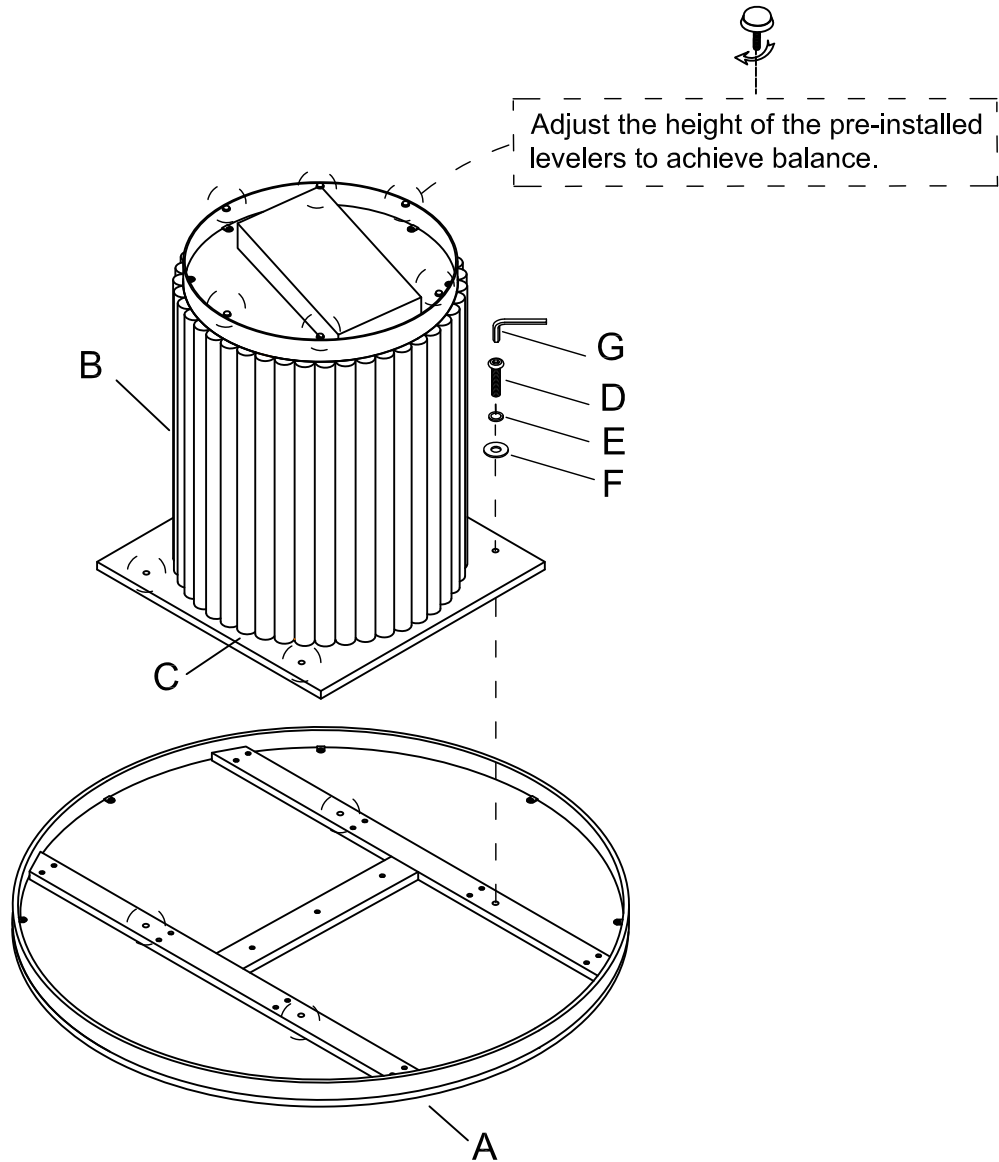


- 2** Attach the Connecting Plate (C) to the Pedestal Base (B) using Bolt (D), Spring Washer (E) and Flat Washer (F) with Wrench (G).



3

Attach the base assembly to the Table Top (A) using Bolt (D), Spring Washer (E) and Flat Washer (F) with Wrench (G).



Cleaning & Care

Treat surfaces with care. Surfaces are resistant to scratches but are not scratch resistant. Clean surfaces with a dry or damp soft cloth. Do not use abrasive cleaners. Hardware may loosen over time. Periodically check that all connections are tight.