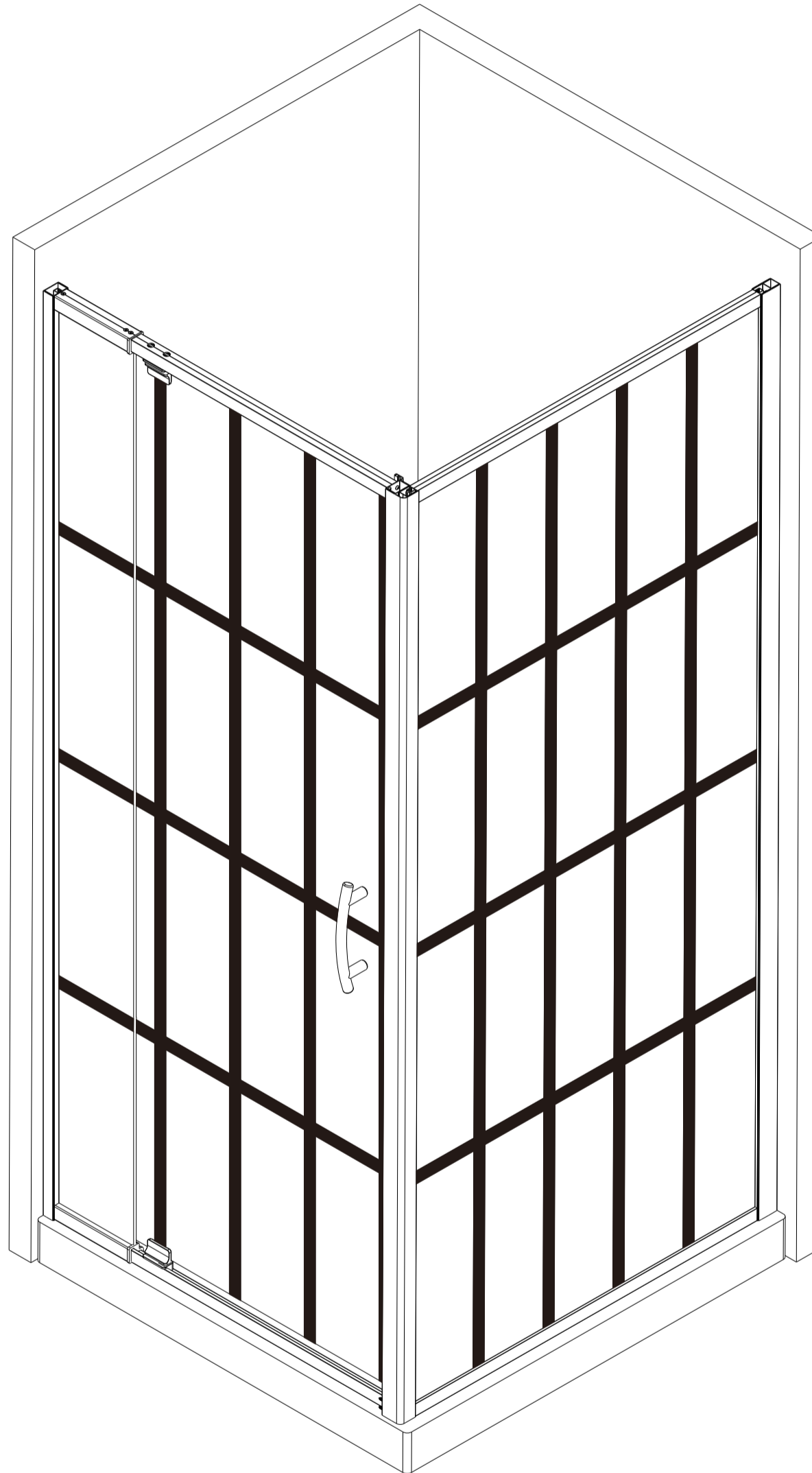


Serial Number: SDE03-22

## Shower Door Installation Instructions



**Please do not return the product to the store.  
Contact us with any questions.**

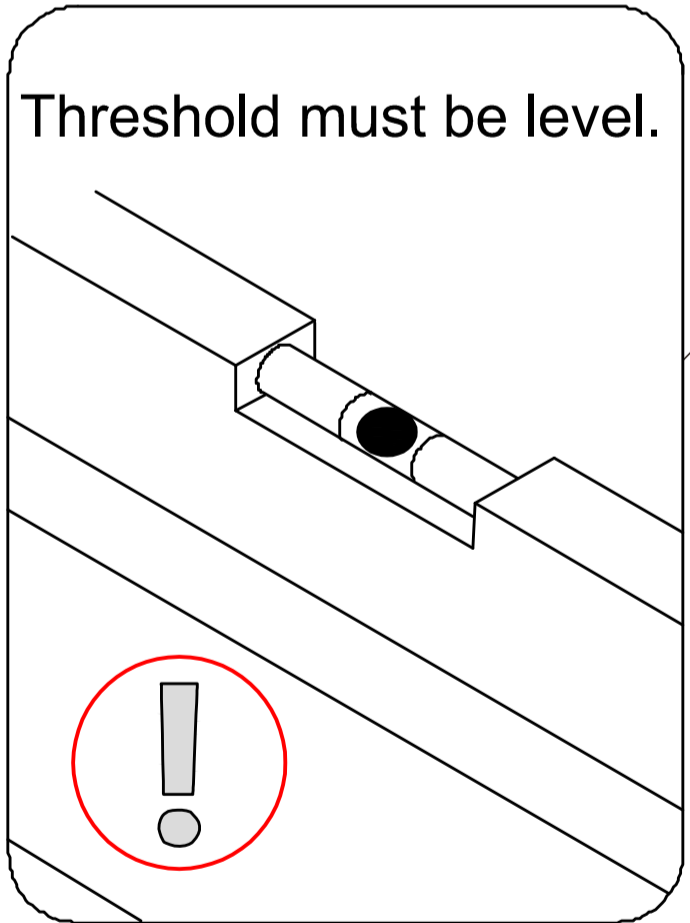
# Model Specific Preparation



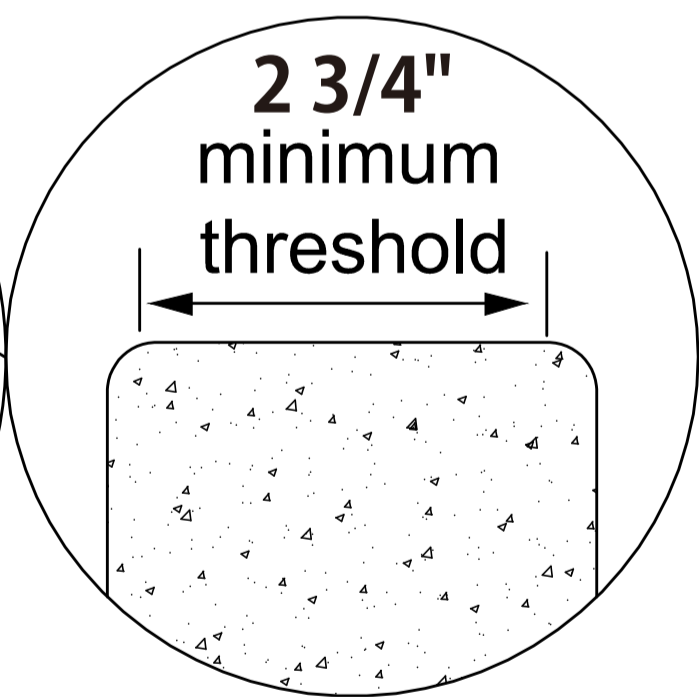
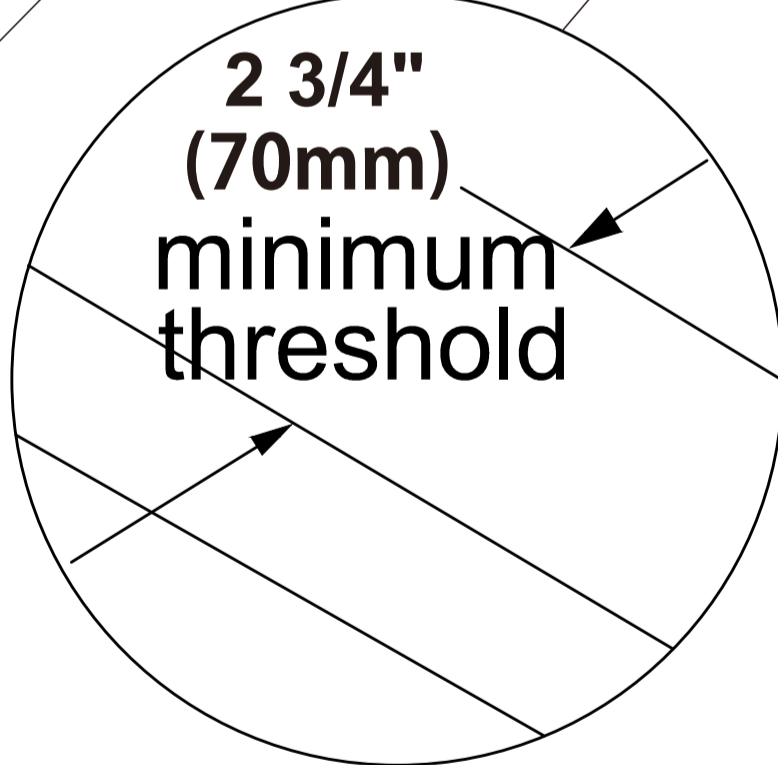
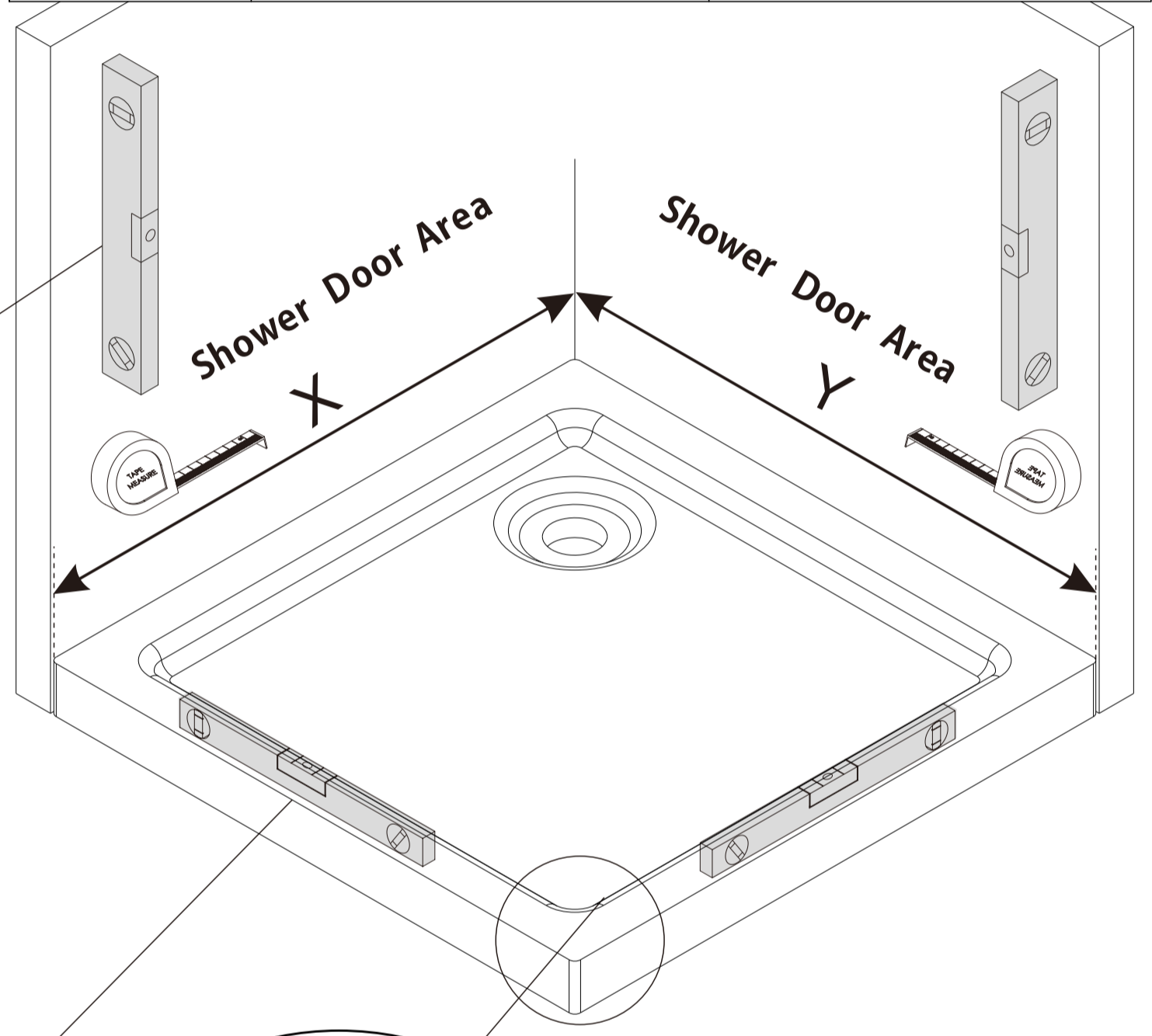
**REQUIRED:**

Verify threshold and wall with a level.

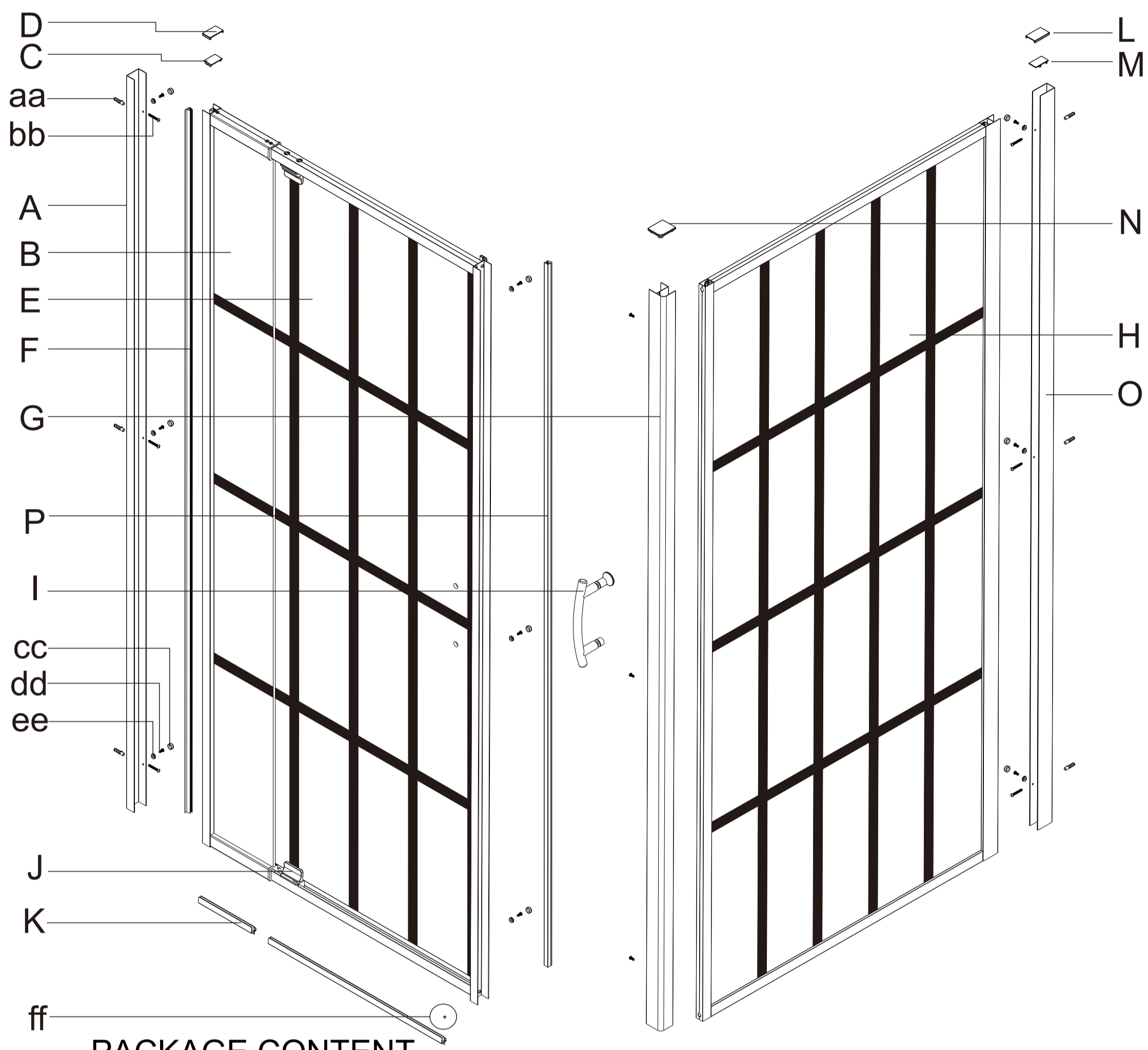
1/4" (6mm) Maximum out of plumb adjustment from top to bottom



Model width	Shower Door Area(MAX)	Shower Door Area(MIN)
35"X36"	35"X36"	34"X31 31/32"



PACKAGE CONTENT



PACKAGE CONTENT

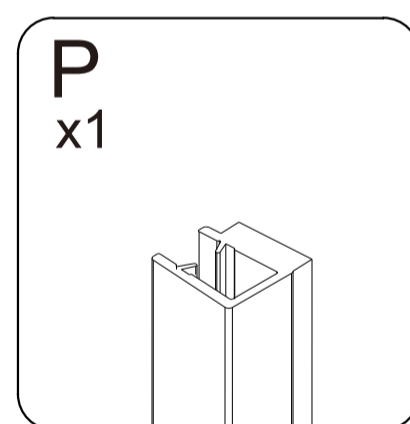
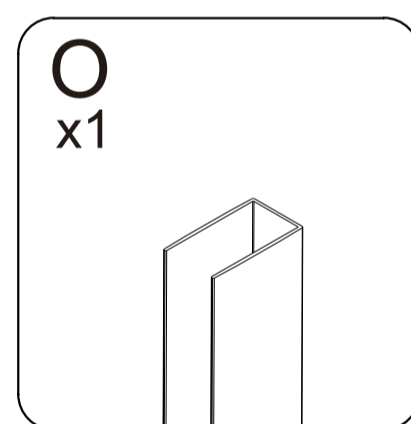
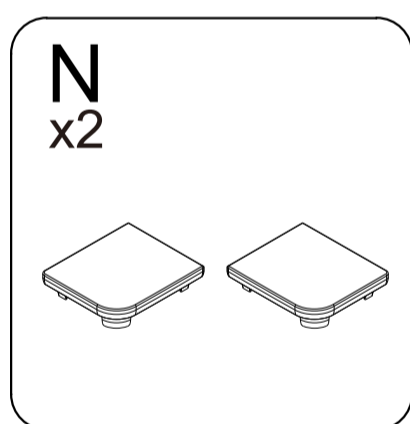
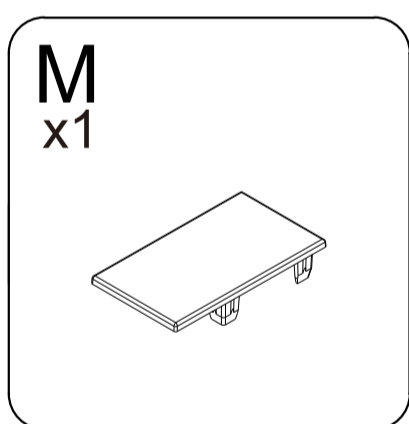
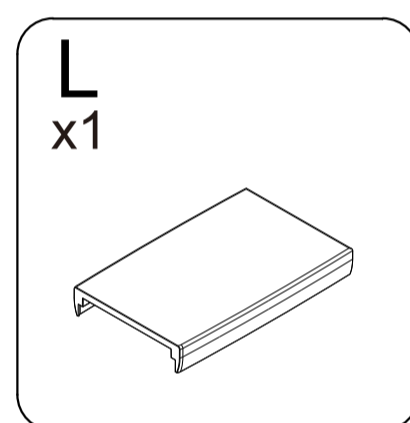
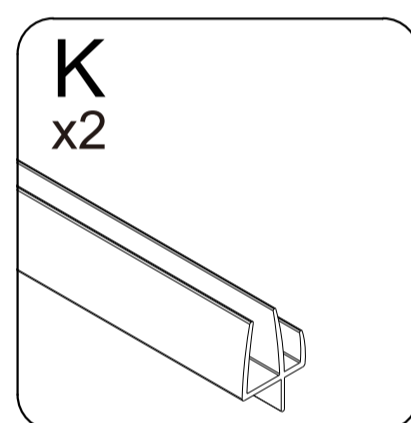
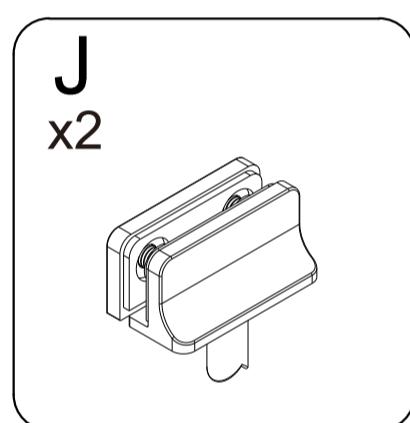
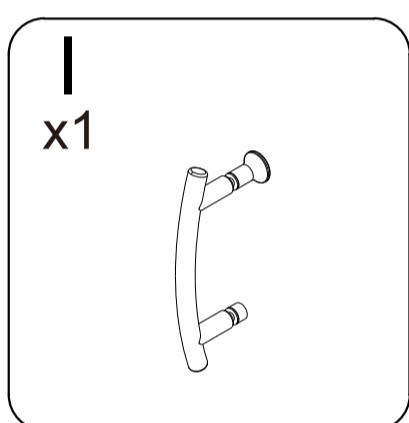
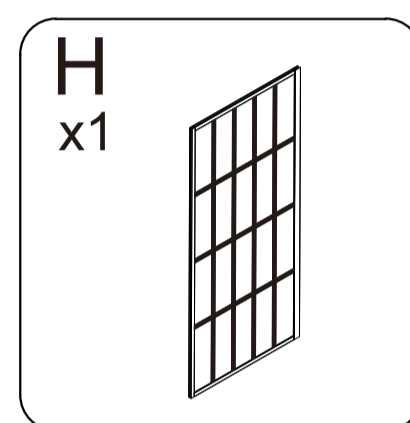
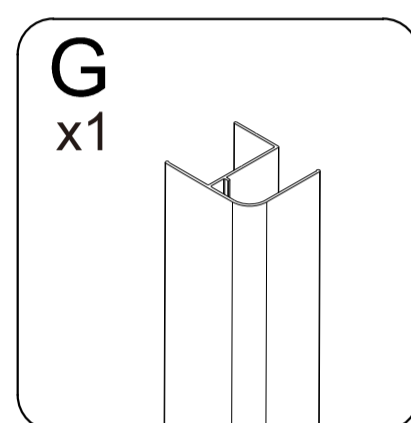
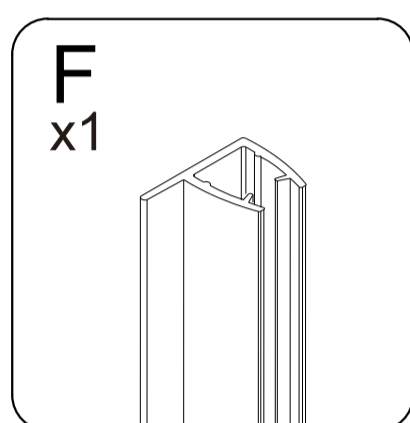
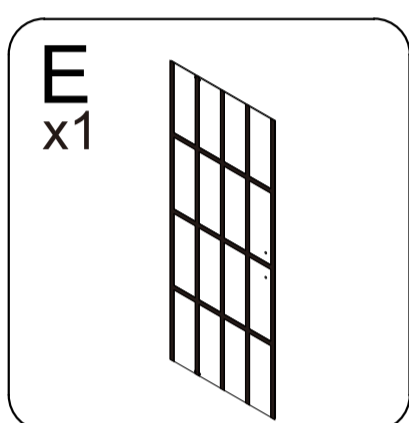
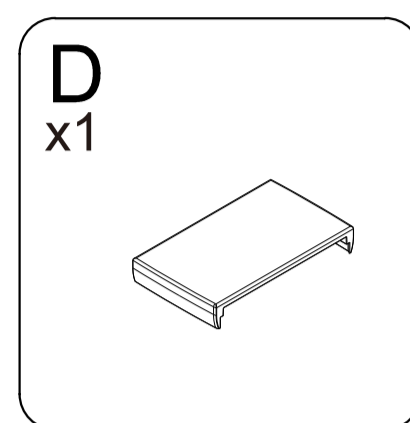
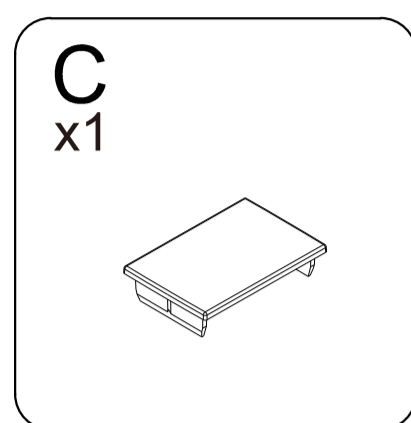
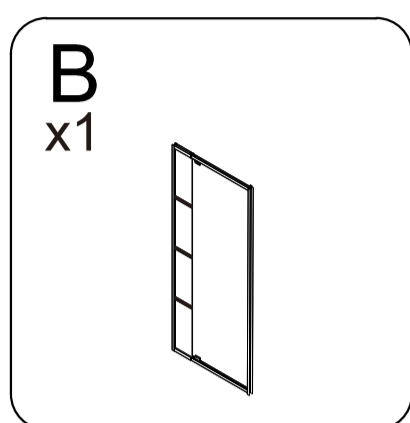
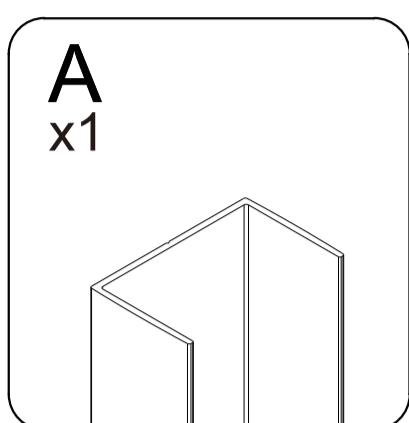
PART#	DESCRIPTION	QTY
A	Wall Jamb	1
B	Stationary Glass	1
C	Upright Profile Cover	1
D	Wall Jamb Cover	1
E	Glass door	1
F	Anti-Water Strip	1
G	Corner Profile	1
H	Stationary Glass	1

PART#	DESCRIPTION	QTY
I	Handle	1
J	Pivot	2
K	Bottom Anti-Water Strip	2
L	Wall Jamb Cove	1
M	Upright Profile Cover	1
N	Upright Profile Cover	2
O	Wall Jamb	1
P	Magnetic Strip	1

**NOTE**

Inspect all parts for missing prior to installation!  
Contact us for any part missing.

PACKAGE CONTENT

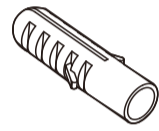


## HARDWARE CONTENT



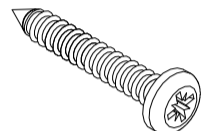
Additional spare parts are included.

aa



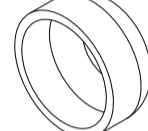
Screw anchor  
Ø6x28mm  
7 pcs

bb



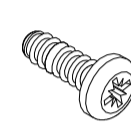
Metric Screw  
ST4X30mm  
7 pcs

cc



Screw cap  
9 pcs

dd



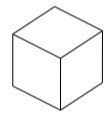
Metric Screw  
ST4X8mm  
12 pcs

ee



Washer  
Φ10XΦ5X1.0  
9 pcs

ff



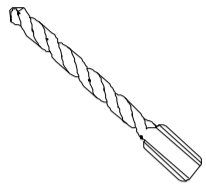
Choke Plug  
1 pcs

NOTE

Inspect all parts for missing prior to installation!  
Contact us for any part missing.

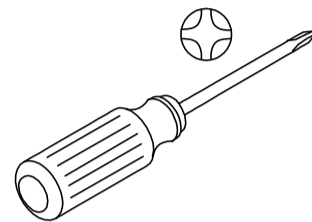
TOOLS REQUIRED

Drill Bits

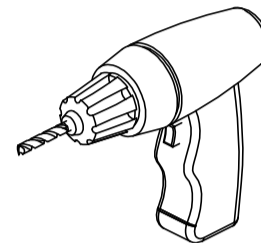


Ø1/8" & Ø1/4" (3&6mm) dia.  
HSS

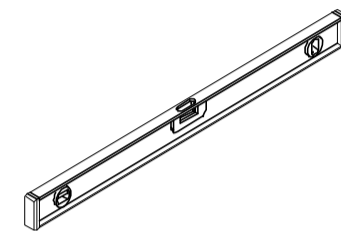
Phillips screw driver



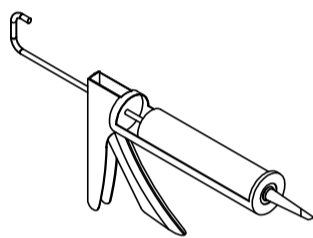
Electric hand drill



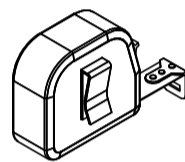
Level



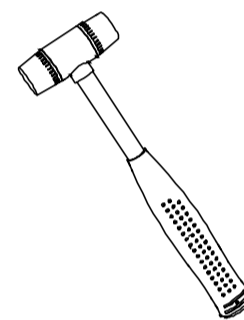
Silicone gun



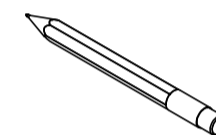
Measuring Tape



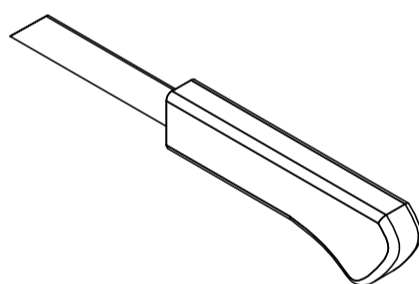
Soft Head Hammer



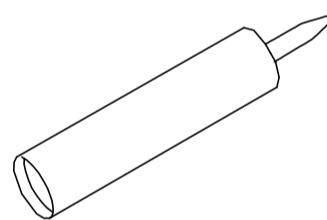
Marking Pencil



Utility Knife



Sealant



MASONRY DRILL BIT FOR TILE  
Ø6mm



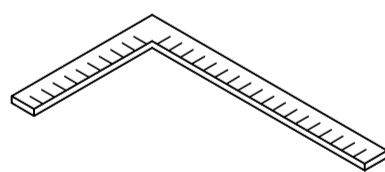
Safety Glasses



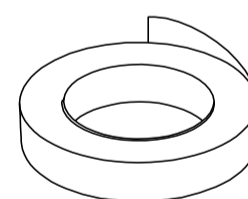
Glove



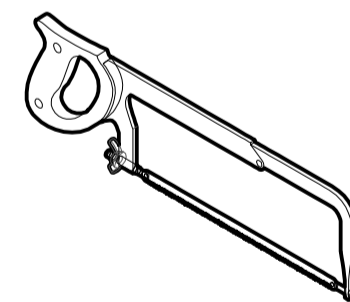
Carpenter's Squarer



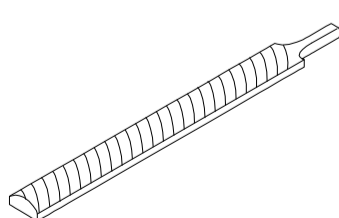
Masking or painter's tape



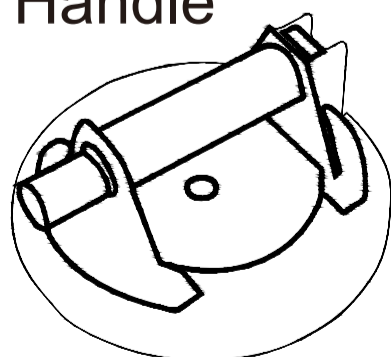
Hack Saw



Metal File



Glass suction Handle



## SAFETY INFORMATION

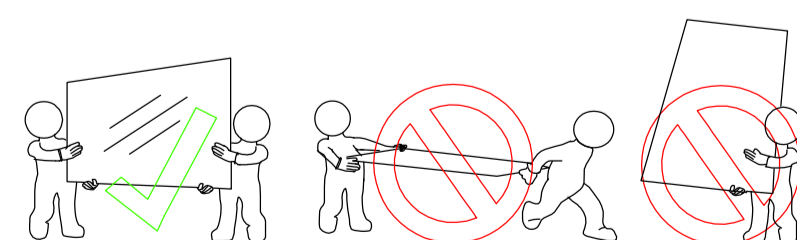
### CAUTION

Please carefully read the following important safety information before handling or installing this shower door . There is a risk of serious injury while handling this product.

To minimize these risks, please note:

- Always wear safety glasses and gloves while handling.
- Always follow the installation instructions.
- Inspect glass for damage before installation.
- Extreme caution should be taken while handling the glass during installation as the tempered glass may shatter if in contact with a hard surface.
- Do not cut or modify the tempered glass as it will shatter if cut.
- Carefully remove product from packaging and keep packaging until installation is complete.
- Inspect all parts for damage or missing; if there is damage or part missing to the unit prior to installation, please contact customer service at the number provided in this guide.
- Cover the drain with tape to prevent the loss of small parts.
- The shower base and finished walls should be installed before beginning the shower door installation.
- During the installation,protect the shower floor with a drop cloth to avoid damage.
- This product should be installed by two people who are familiar with construction requirements.Professional installation is recommended!
- Keep this installation manual for future reference.

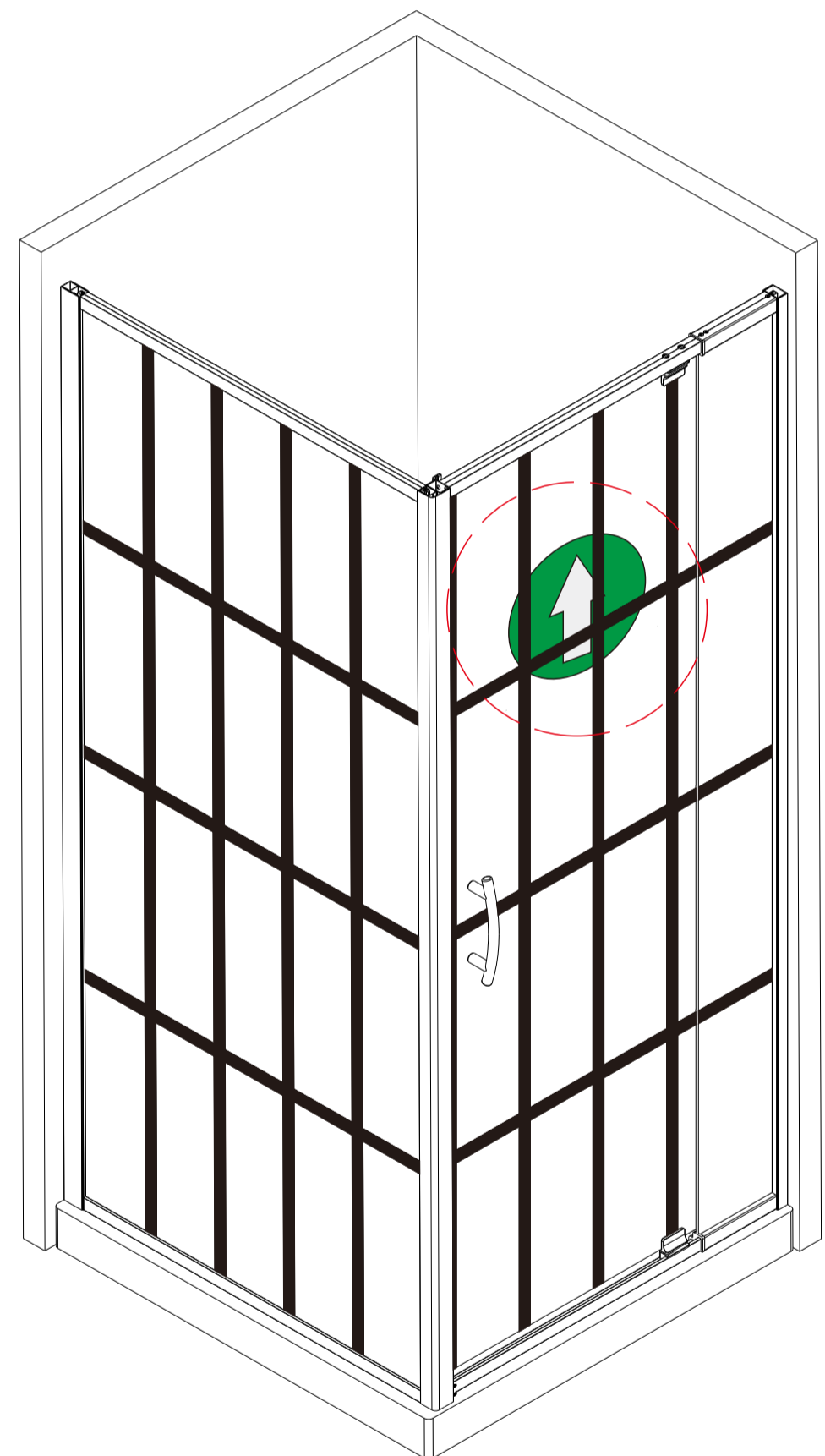
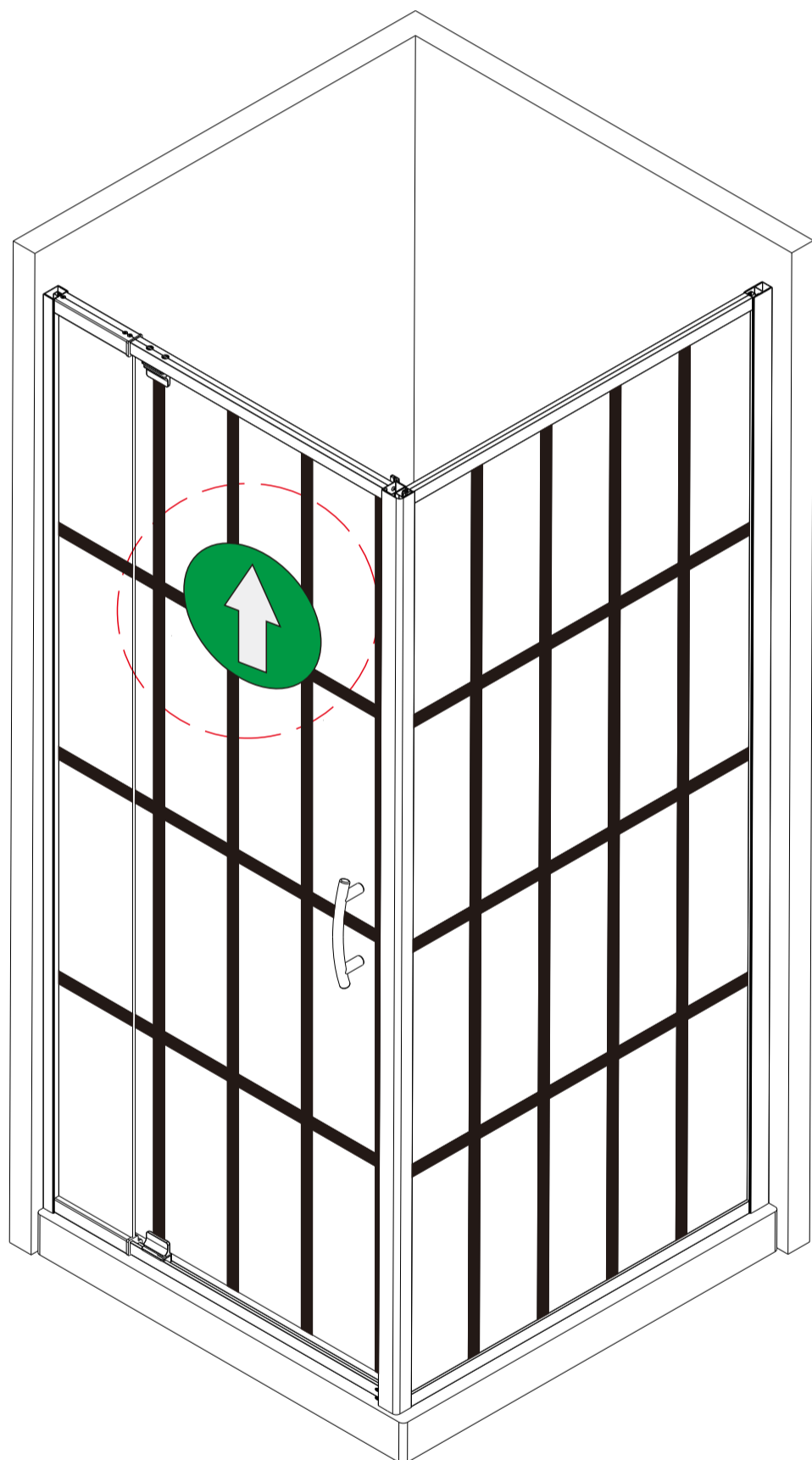
**NOTE:** Two people should perform this installaton.



**1** Pay attention to the direction of the **Glass Door(E)**

NOTE

Left and right mounting, the Glass Door arrows are always pointing upwards

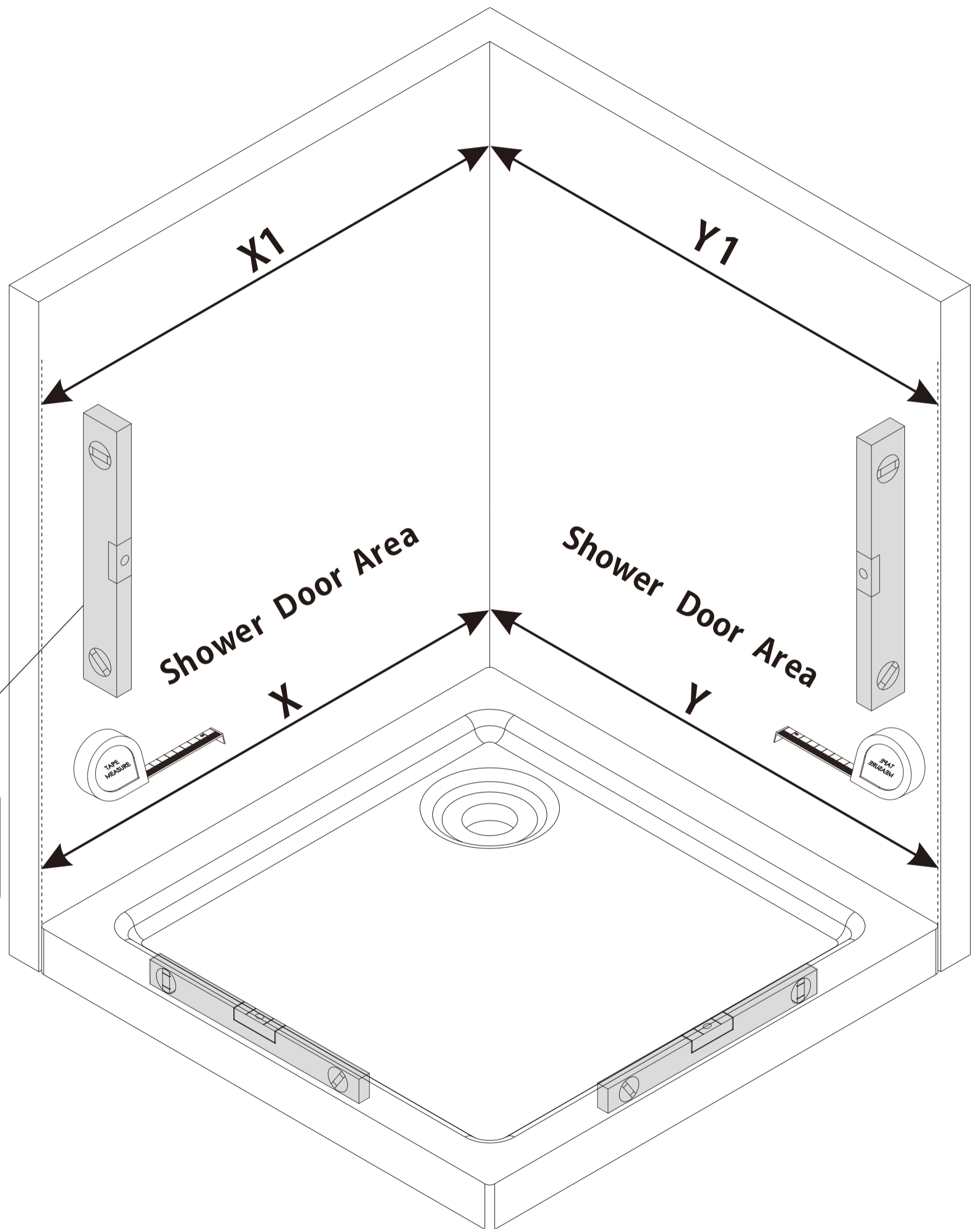


Note: The arrows are always pointing upwards

**2** Measure the finished opening width.

NOTE

- 1. Measure the finished opening width at the bottom and at the model height.
- 2. Also check the threshold for level and the walls for plumb.



1/4"(6mm) Maximum out of plumb adjustment from top to bottom



**Finished opening difference (X1)&(X) within 1/4"(6mm)**

---

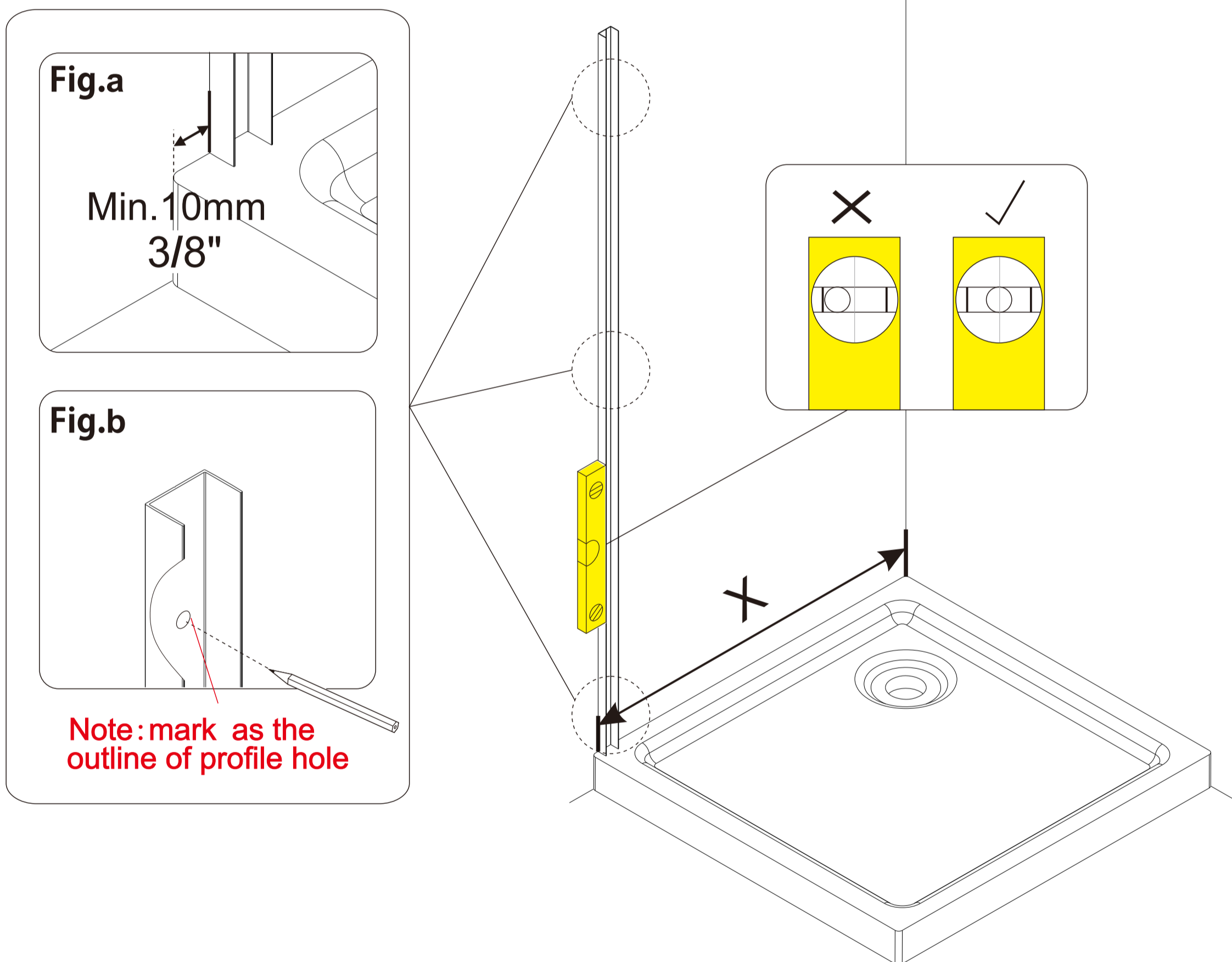
**Finished opening difference (Y1)&(Y) within 1/4"(6mm)**

---

**3** Determine your step in from the edge of tray and plumb your **Wall Jamb(A)**.

NOTE

1. Determine your starting point from the edge of tray ( 3/8" (10mm) is recommended) and mark the position as Fig.a.
2. Plumb your **Wall Jamb(A)** on each side and then mark screw holes position as Fig.b.

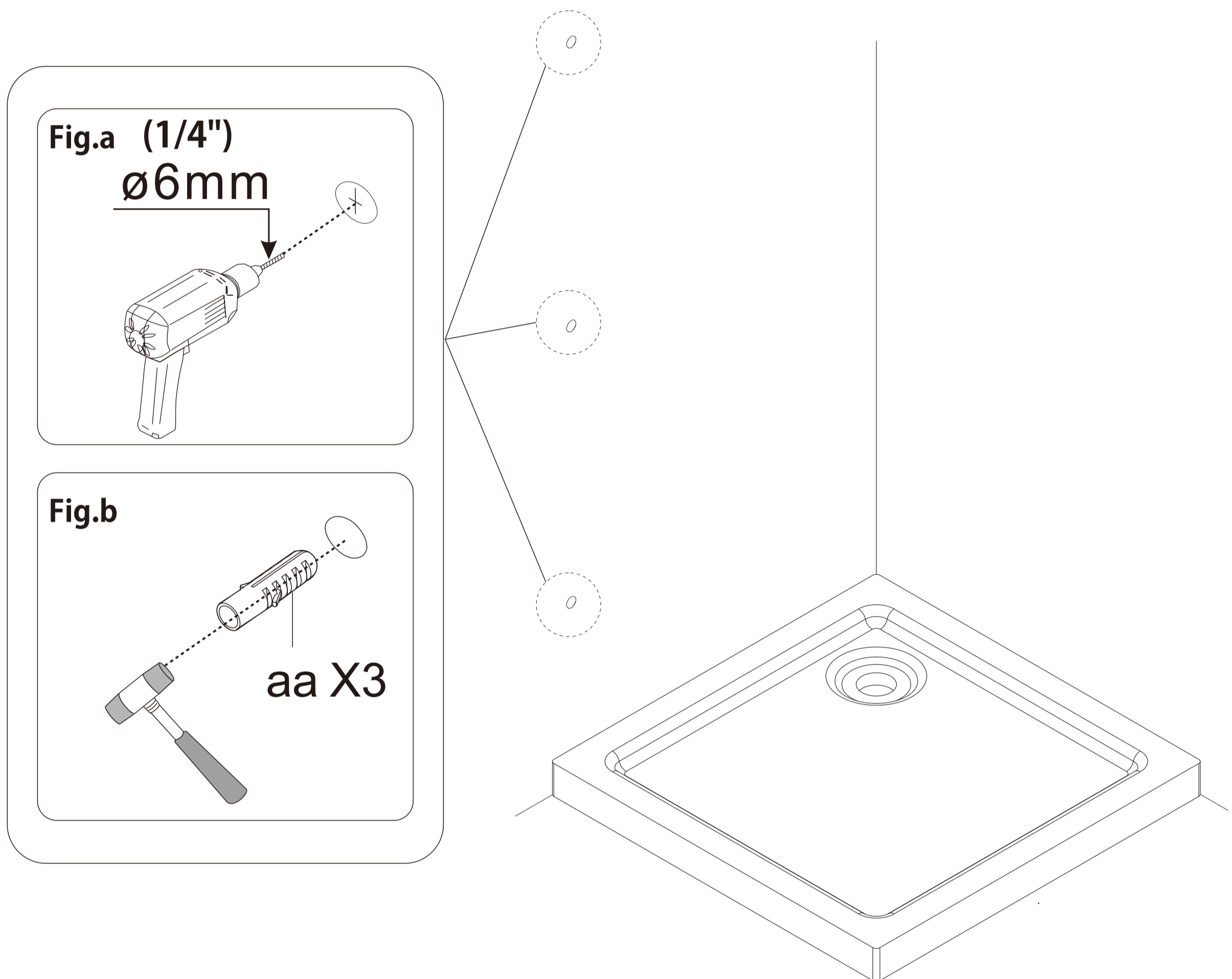


**Note:** The shower door can be installed left or right, according to the need to determine the installation direction.

**4** Drill screw holes for **Wall Jamb(A)** and insert in the **Wall Anchor(aa)**.

NOTE

1. Drill holes with  $\phi 6\text{mm}(1/4\text{'})$  drill bit as Fig.a.
2. Insert the **Wall Anchor(aa)** as Fig.b.



NOTE

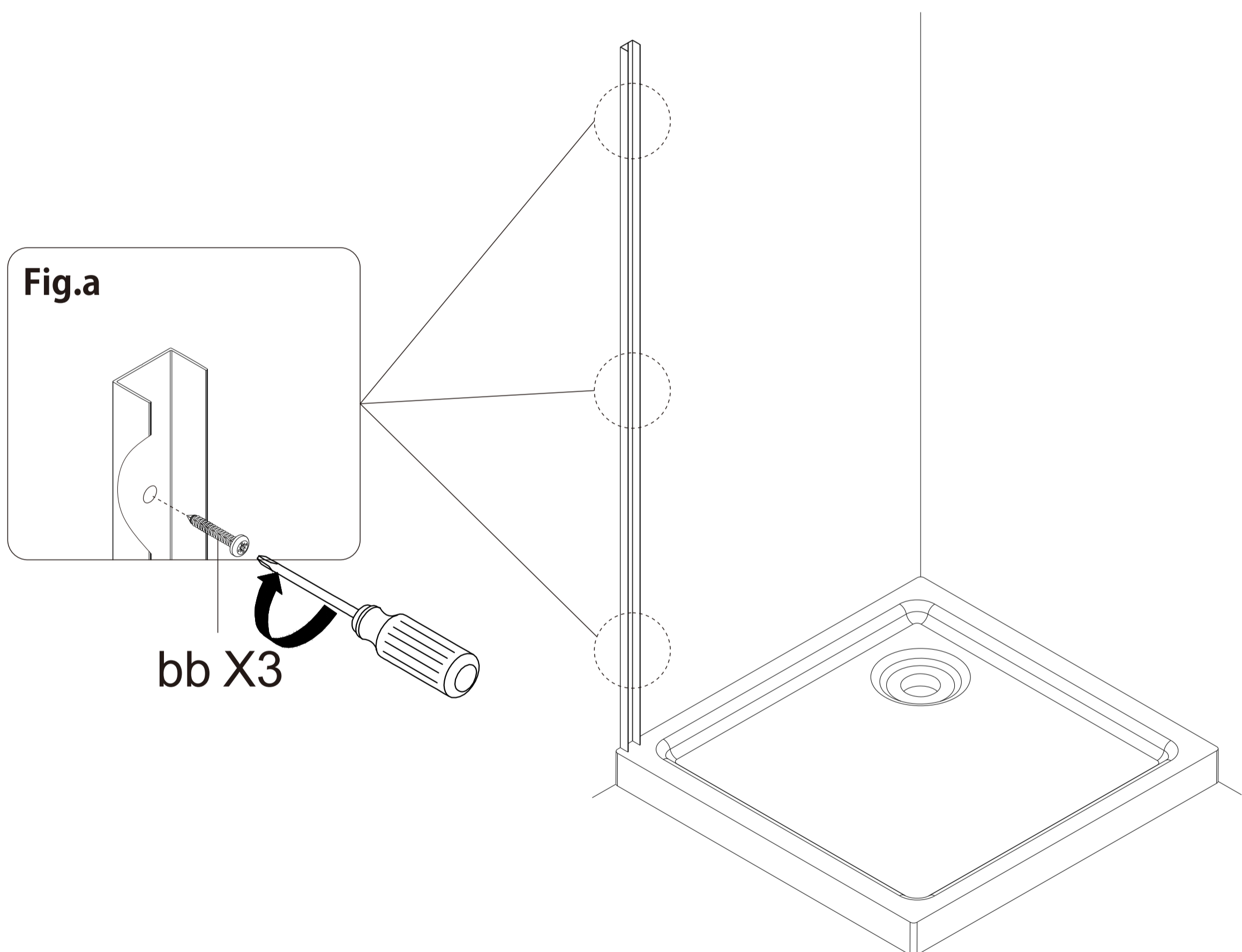
- If a Stud is present behind the wall:  
drill  $\phi 1/8\text{'}$ (3mm) pilot holes into the stud and use the ST4.0x30mm **Screws(bb)**  
OR
- If NO Stud is present behind the wall:  
drill  $\phi 1/4\text{'}$ (6mm) holes and insert the **Wall Anchors(aa)** and use the ST4.0x30mm **Screws(bb)**.



**Note: The shower door can be installed left or right, according to the need to determine the installation direction.**

**5** Install **Wall Jamb(A)**.

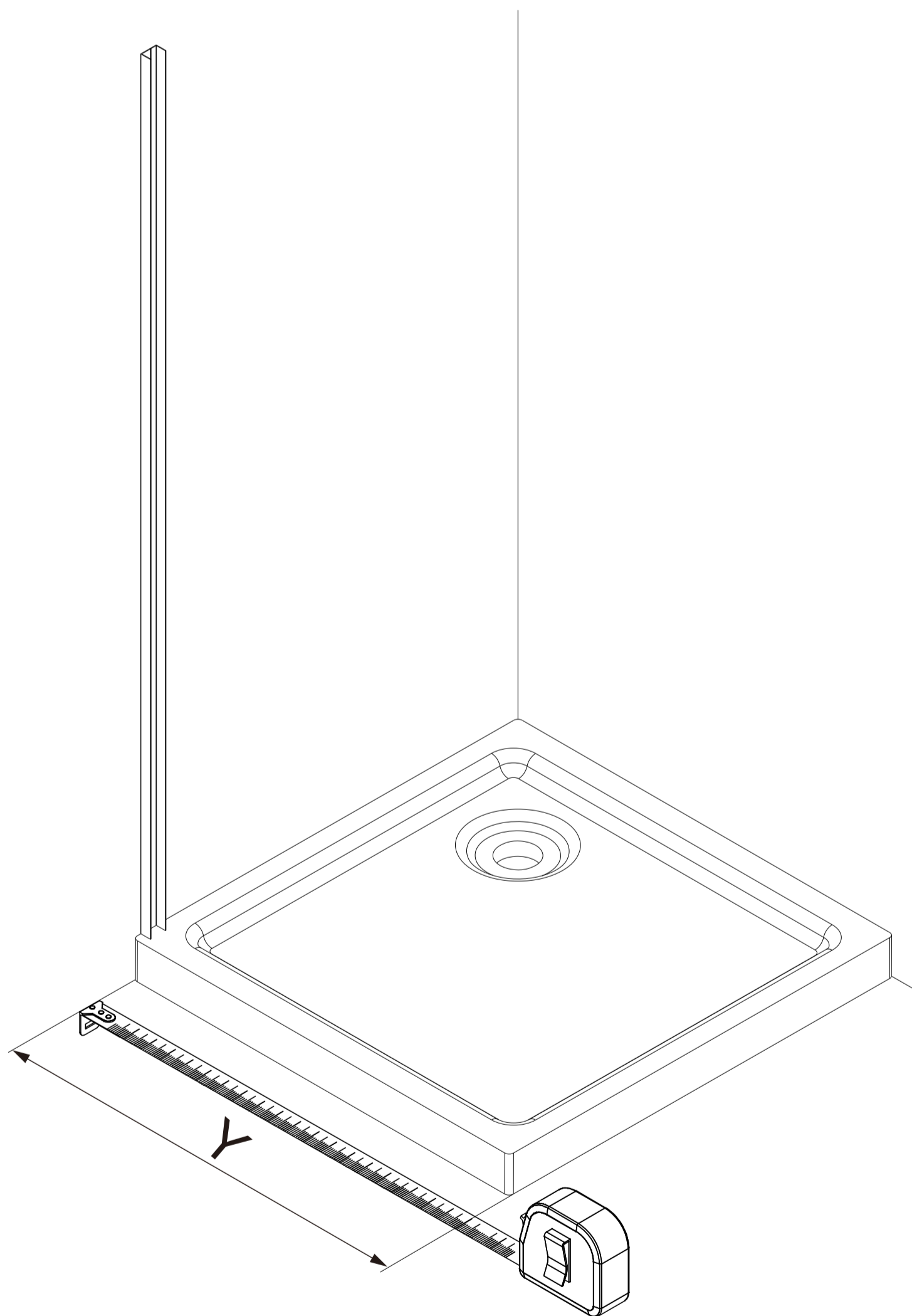
**NOTE** 1. Fix **Wall Jamb(A)** with **Screw(bb)** as Fig.a .



**Note:** The shower door can be installed left or right, according to the need to determine the installation direction.

**6-1** Adjusting Door Frame

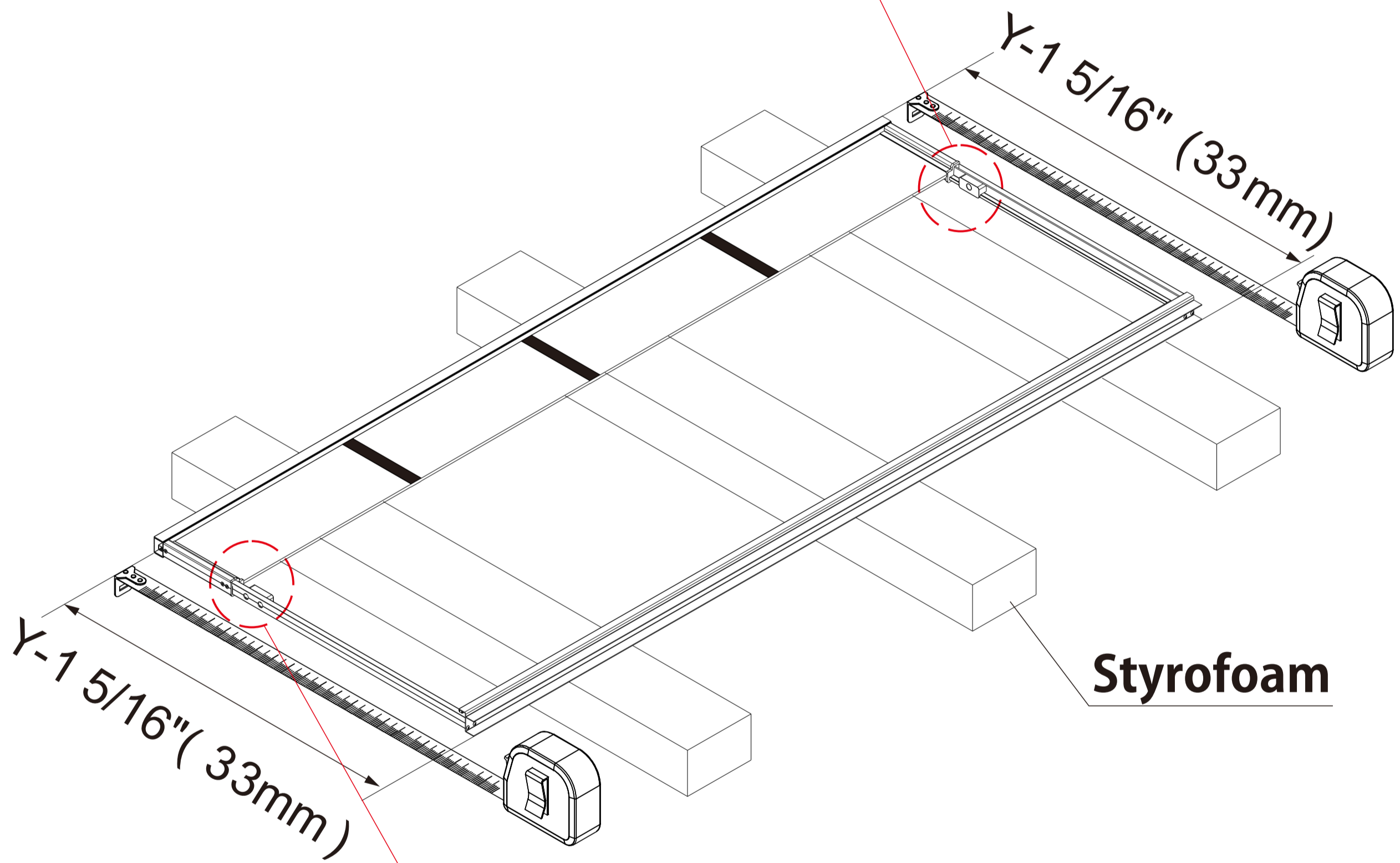
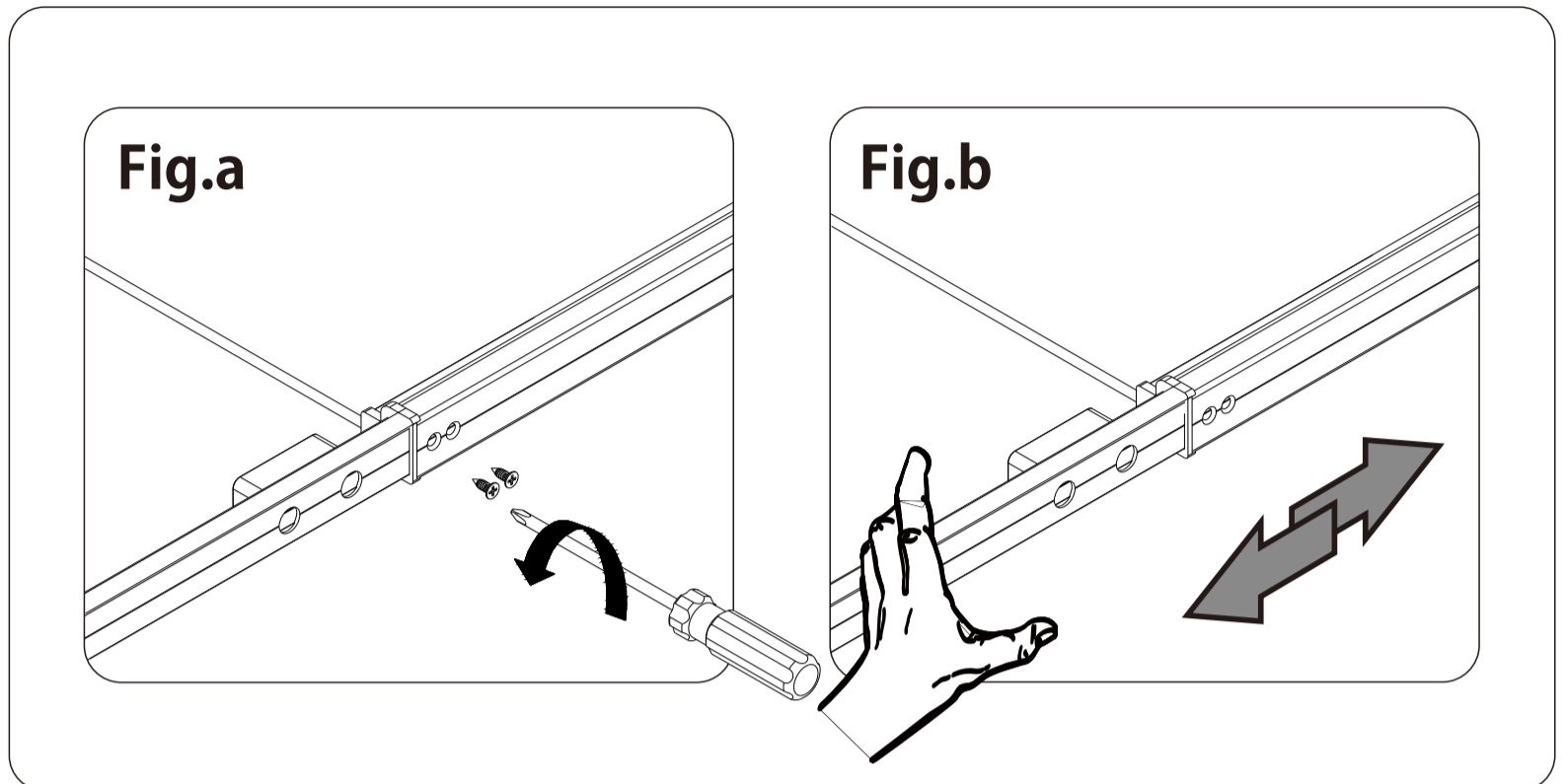
**NOTE** 1. Measure the model width.



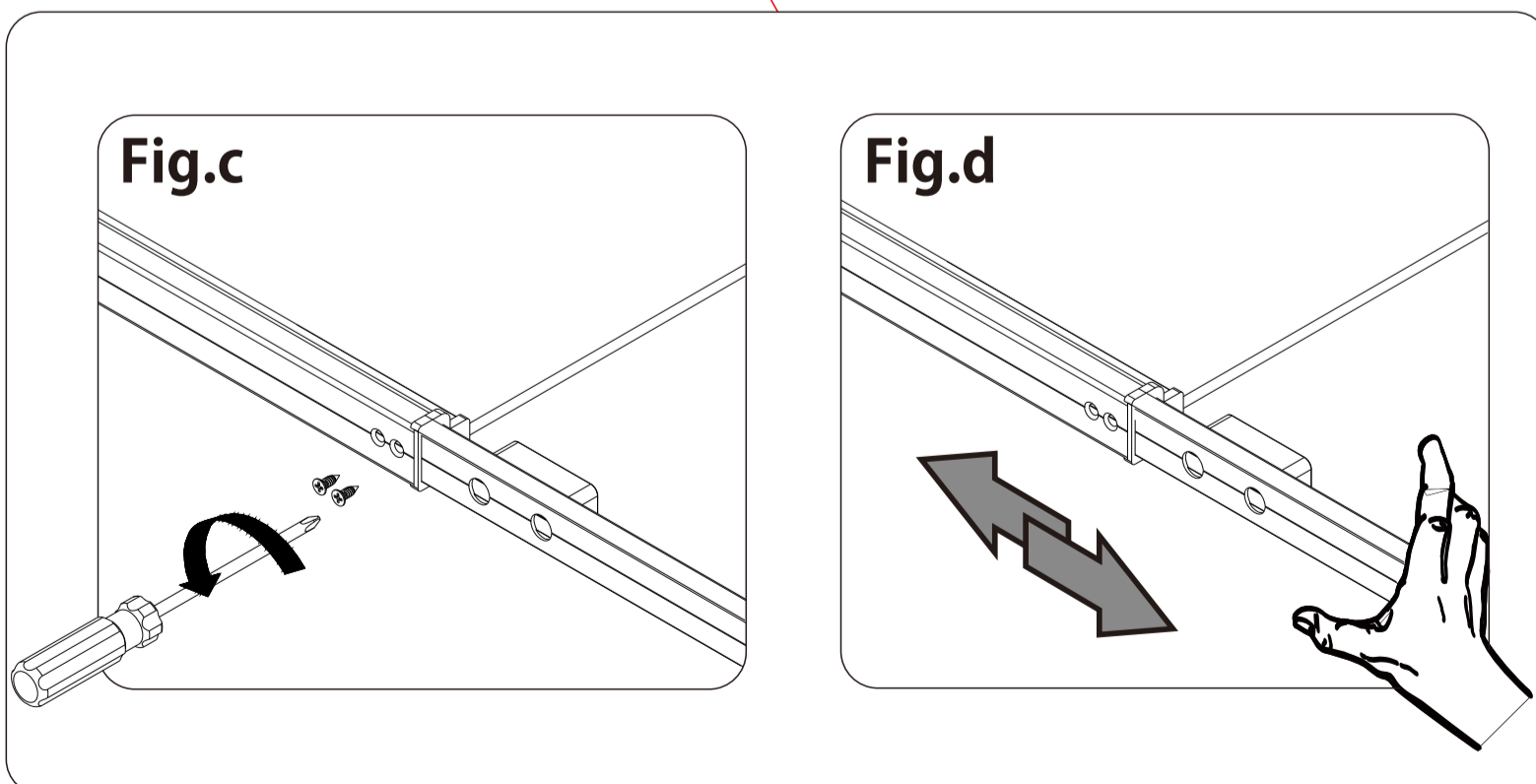
**6-2** Adjusting Door Frame

**NOTE**

1. Loosen the screws that hold the door frame in place as Fig.a and Fig.c.
2. Adjust the door frame to the right size as Fig.b and Fig.d



**Styrofoam**

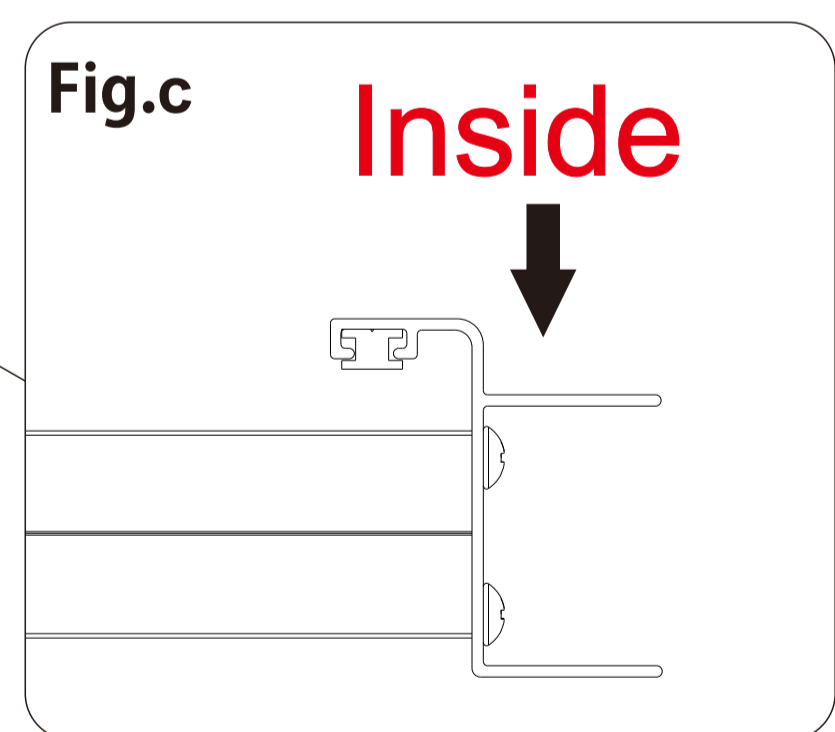
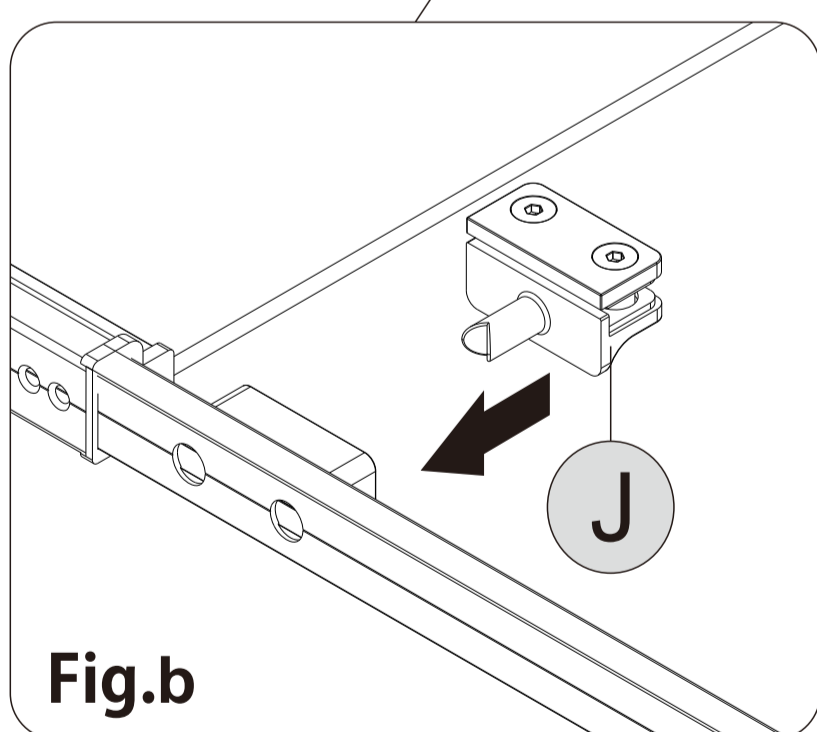
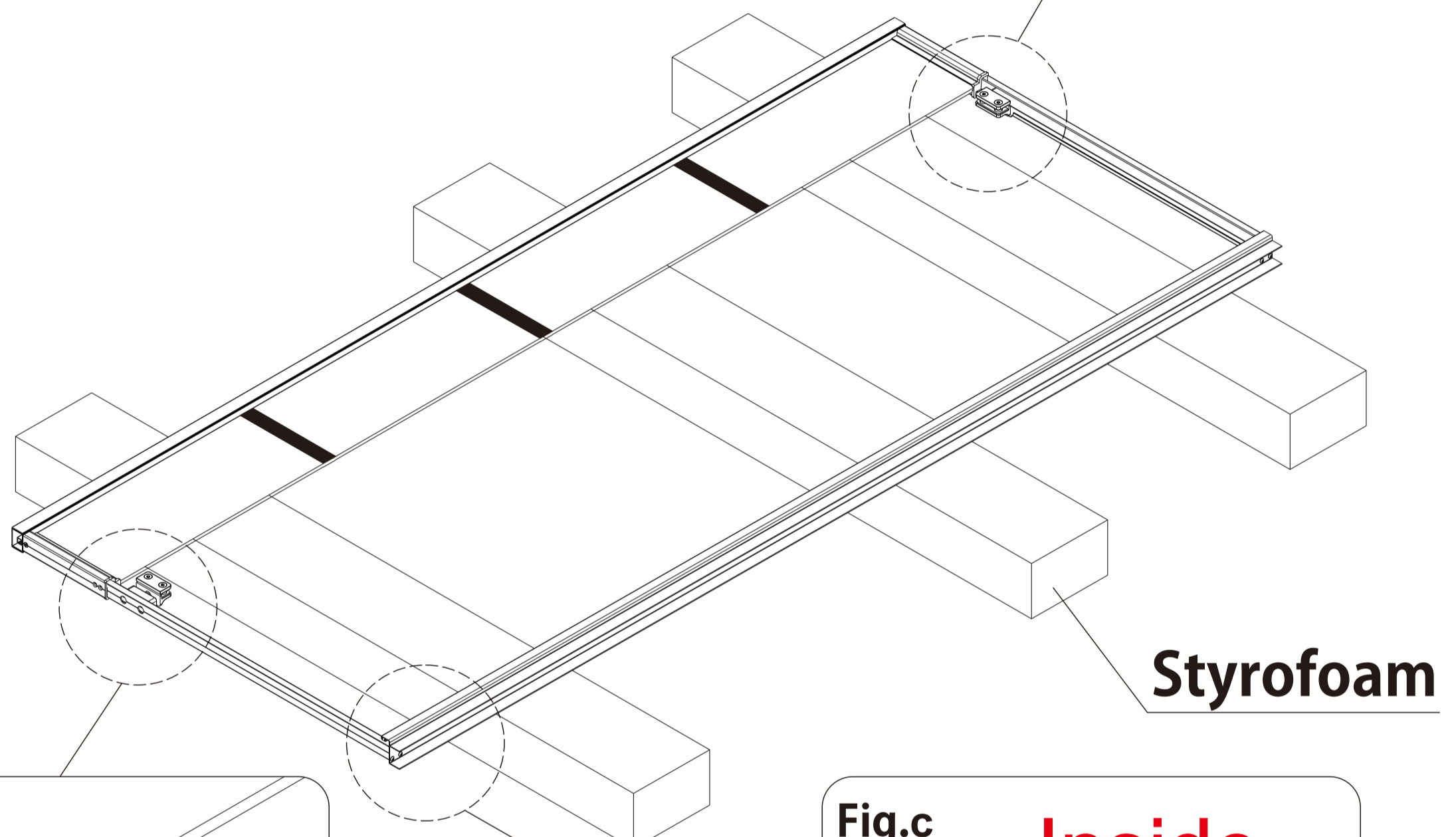
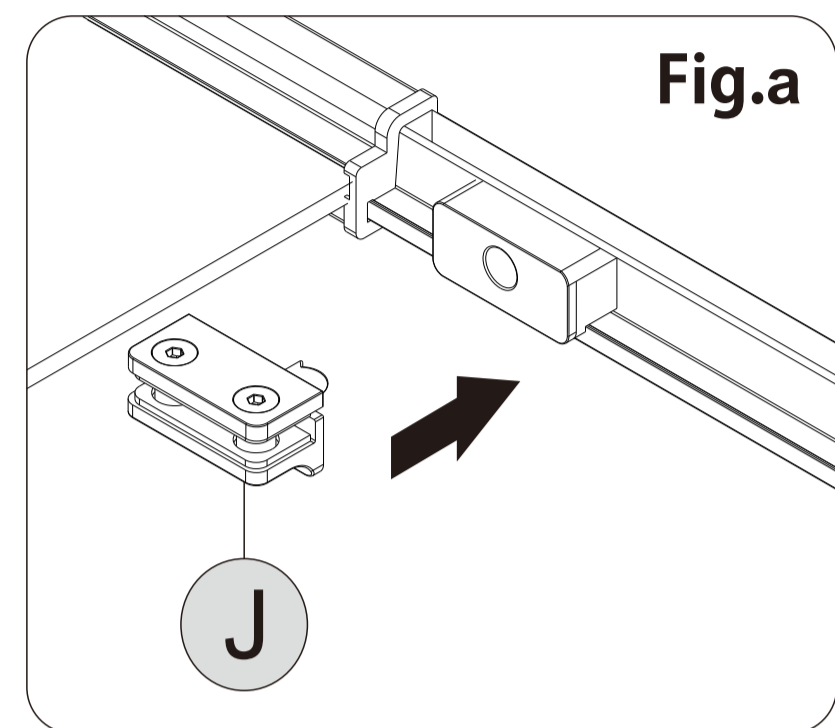


**CAUTION: Do not put glass directly on the ground**

**7** Install **Pivot (J)**.

NOTE

1. Install the **Pivot(J)** to the door frame as Fig.a and Fig.b.
2. Note the direction of the door frame as Fig.c.



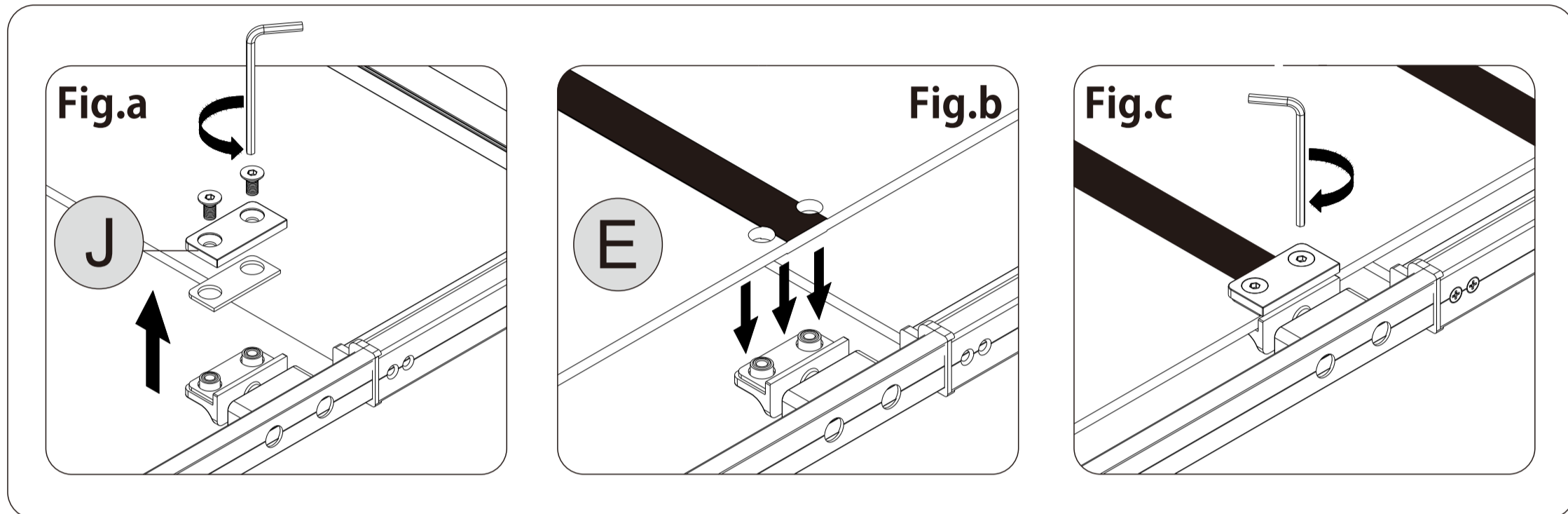
**CAUTION:** Do not put glass directly on the ground

8

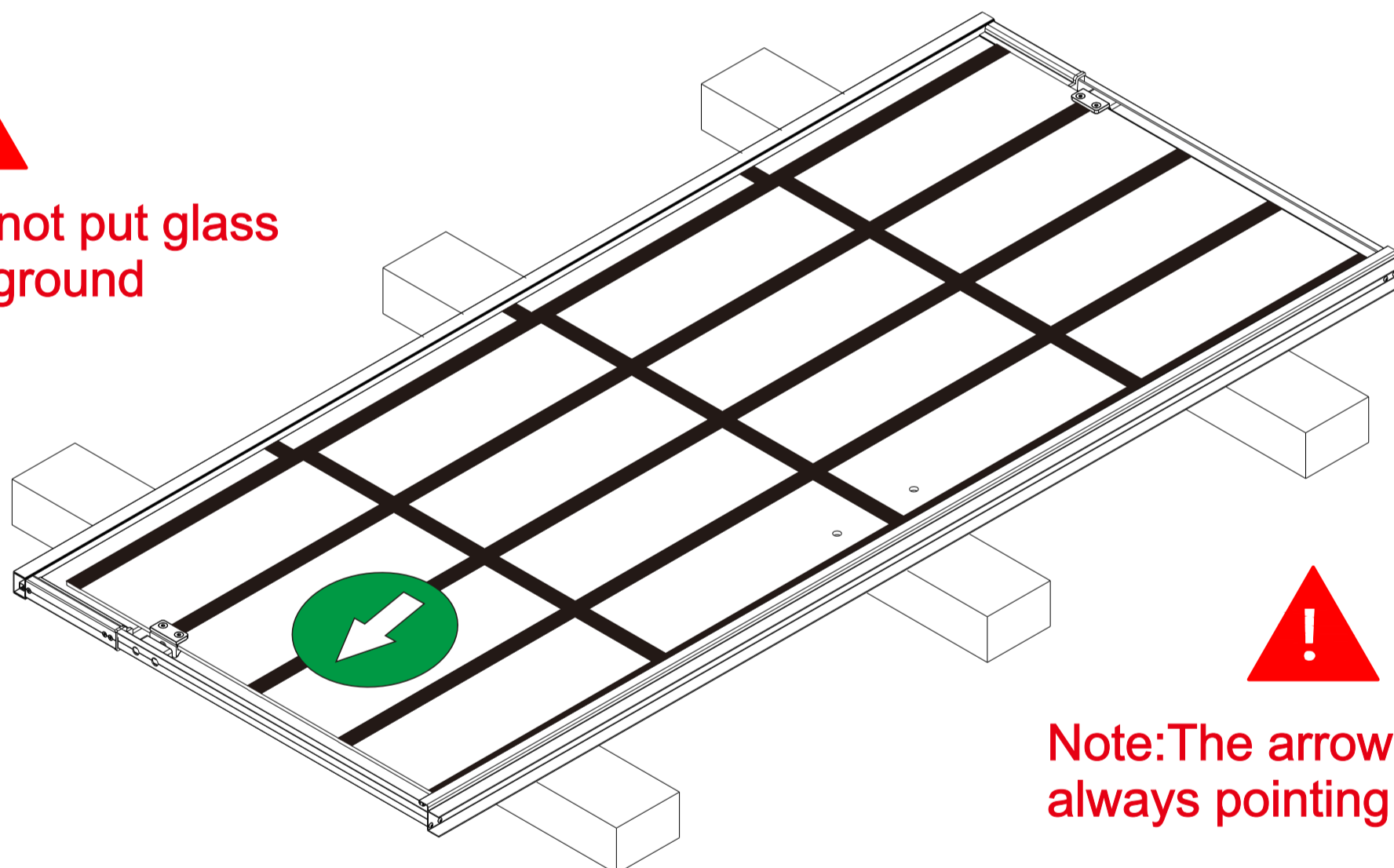
Install Glass Door (E).

NOTE

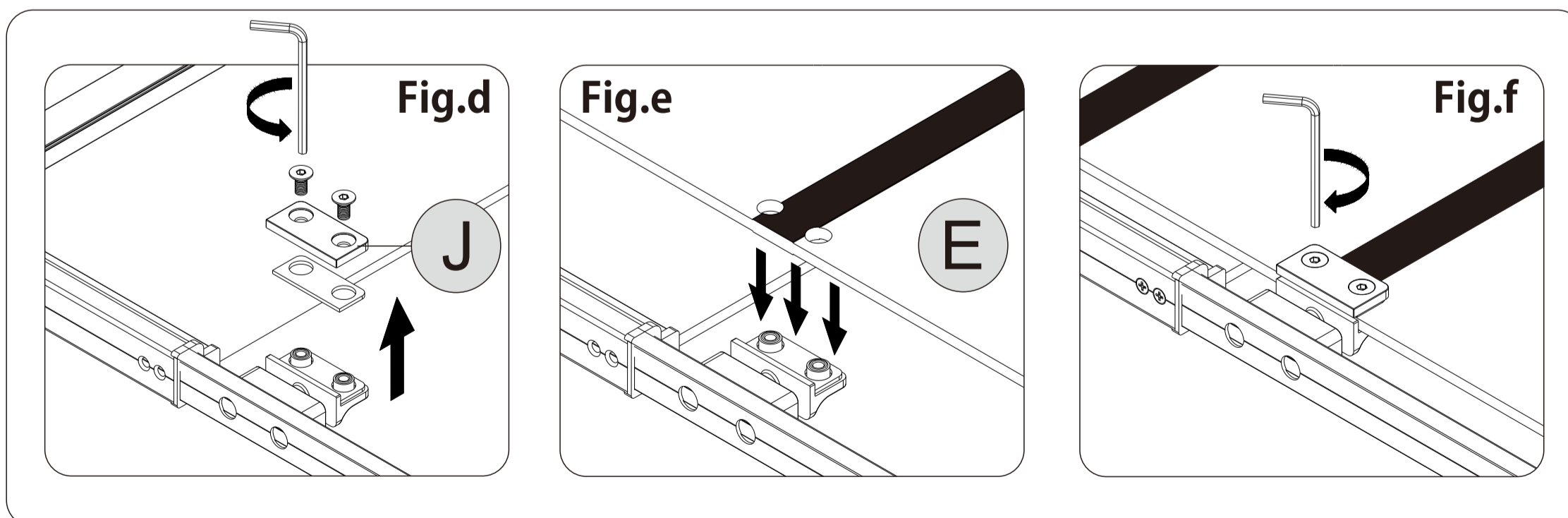
1. Take the **Pivot (J)** apart as Fig.a and Fig.d.
2. Install the **Glass Door(E)** on the **Pivot (J)** as Fig.b and Fig.e.
3. Secure the **Glass Door(E)** with **Pivot (J)** as Fig.c and Fig.f.



CAUTION: Do not put glass directly on the ground



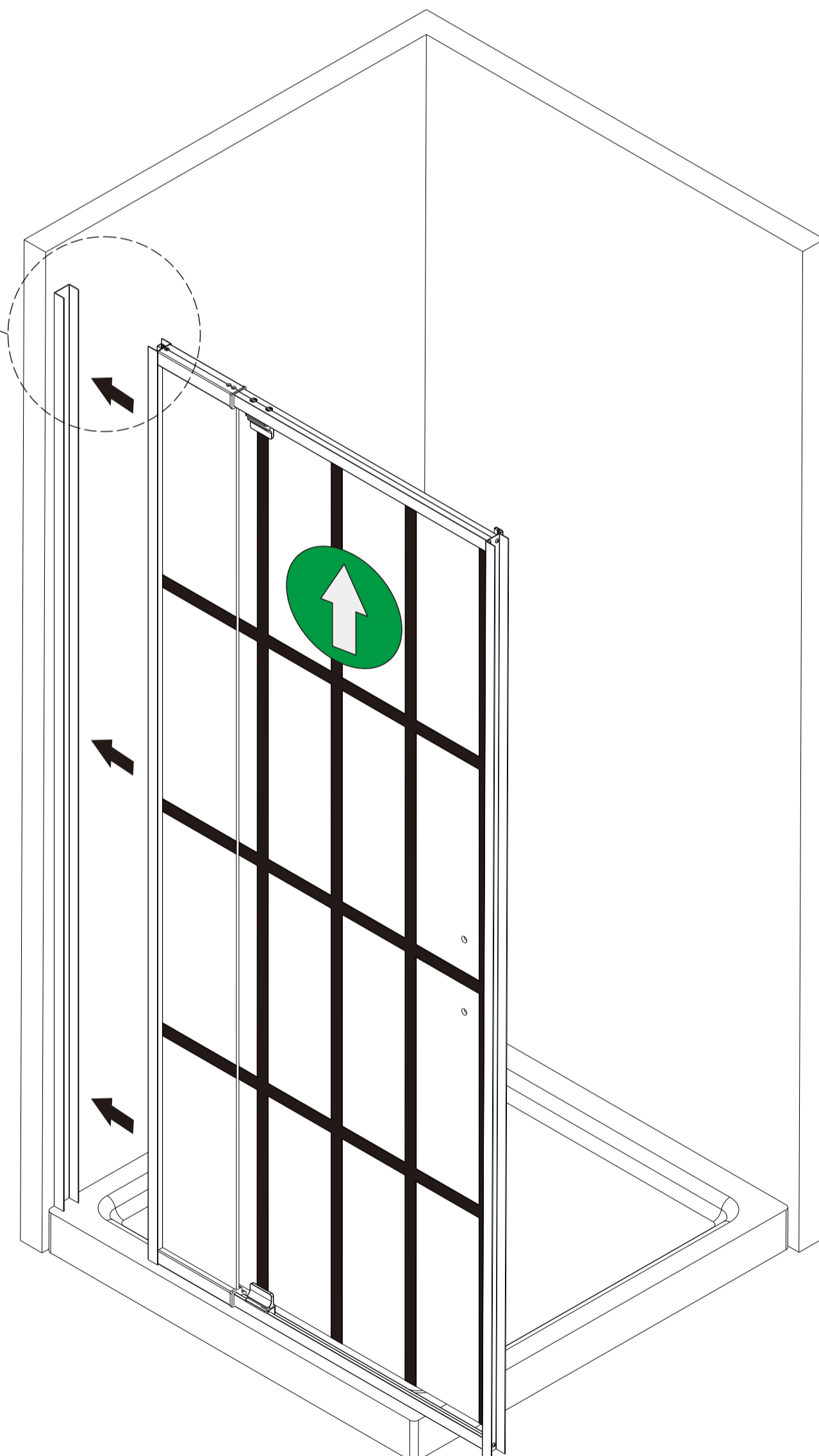
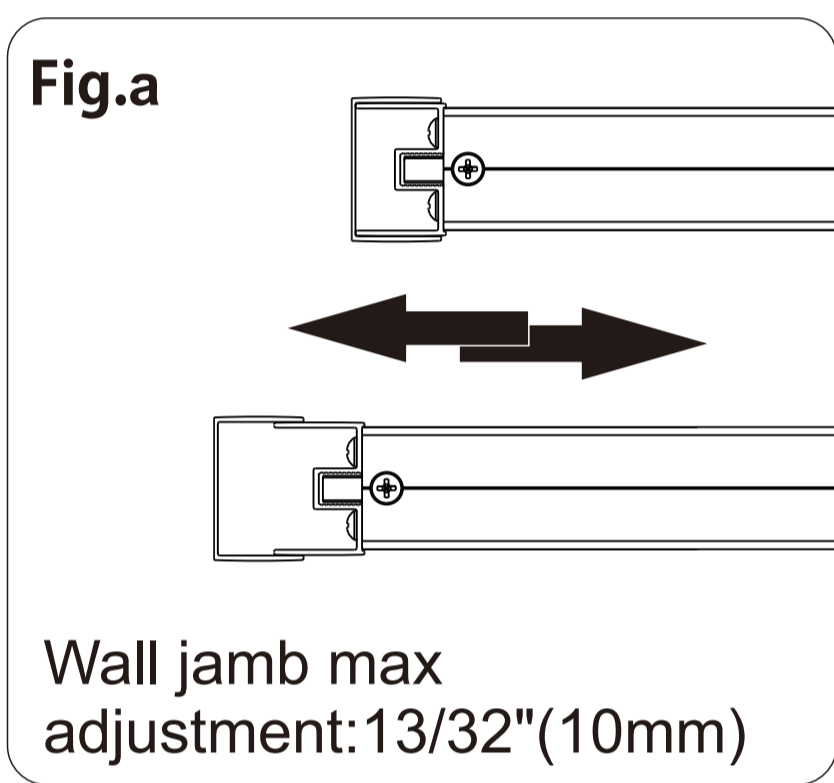
Note: The arrows are always pointing upwards



**9** Install the Door Frame

NOTE

1. Install the door frame inside the **Wall Jamb(A)**, the largest adjustment is 13/32(10mm) as Fig.a.

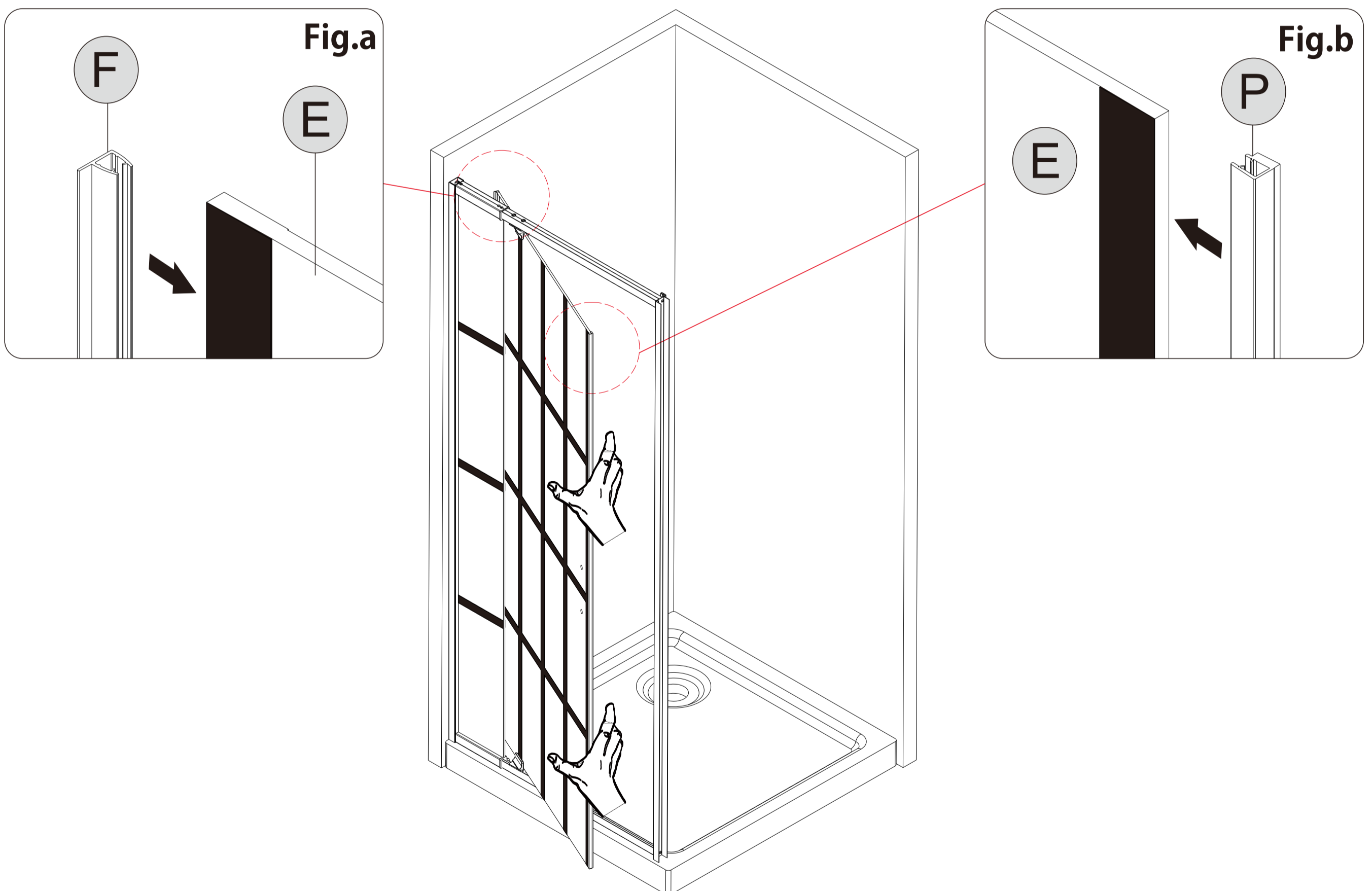


Note: The arrows are always pointing upwards

**10** Install **Anti-Water Strip(F)** and **Magnetic Strip(P)**.

NOTE

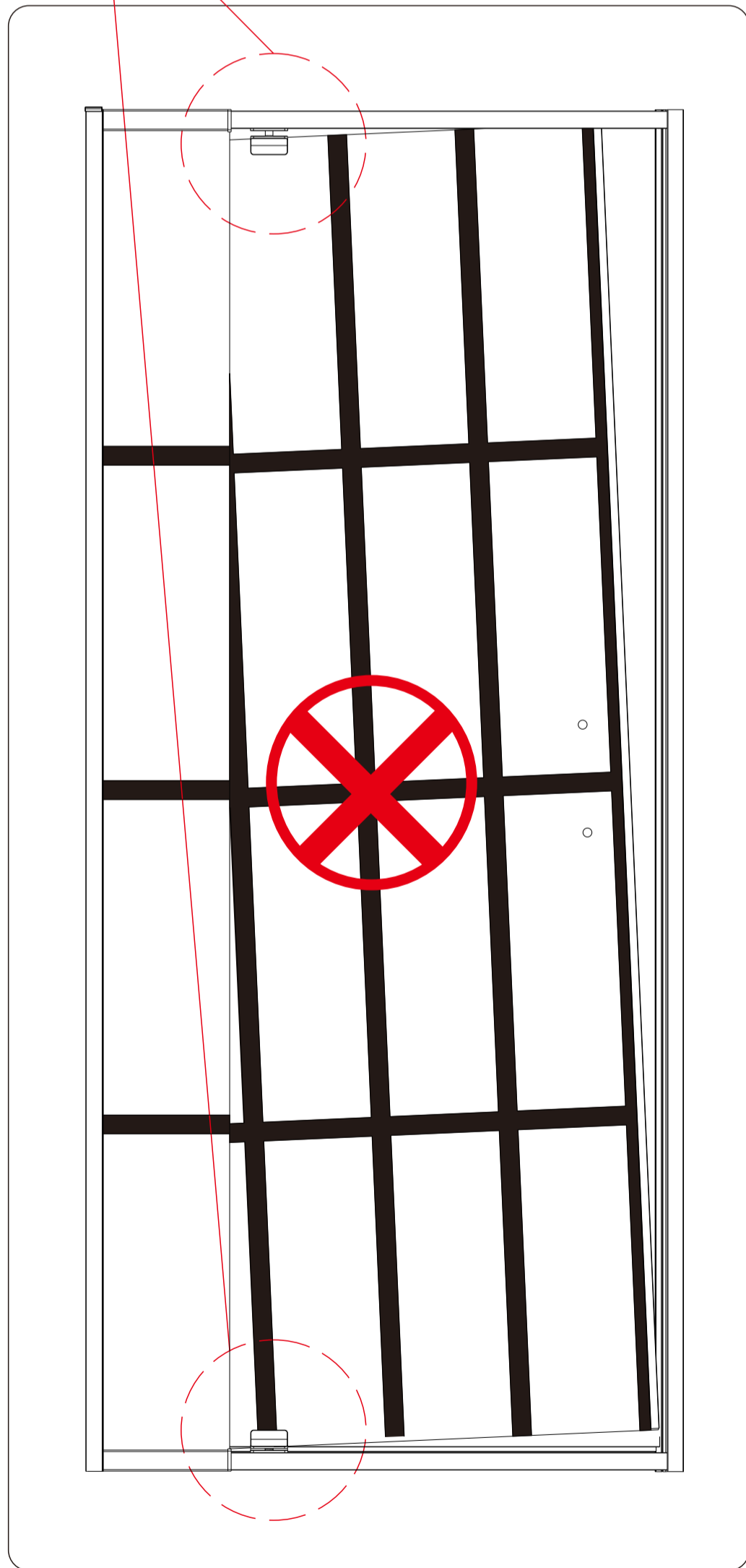
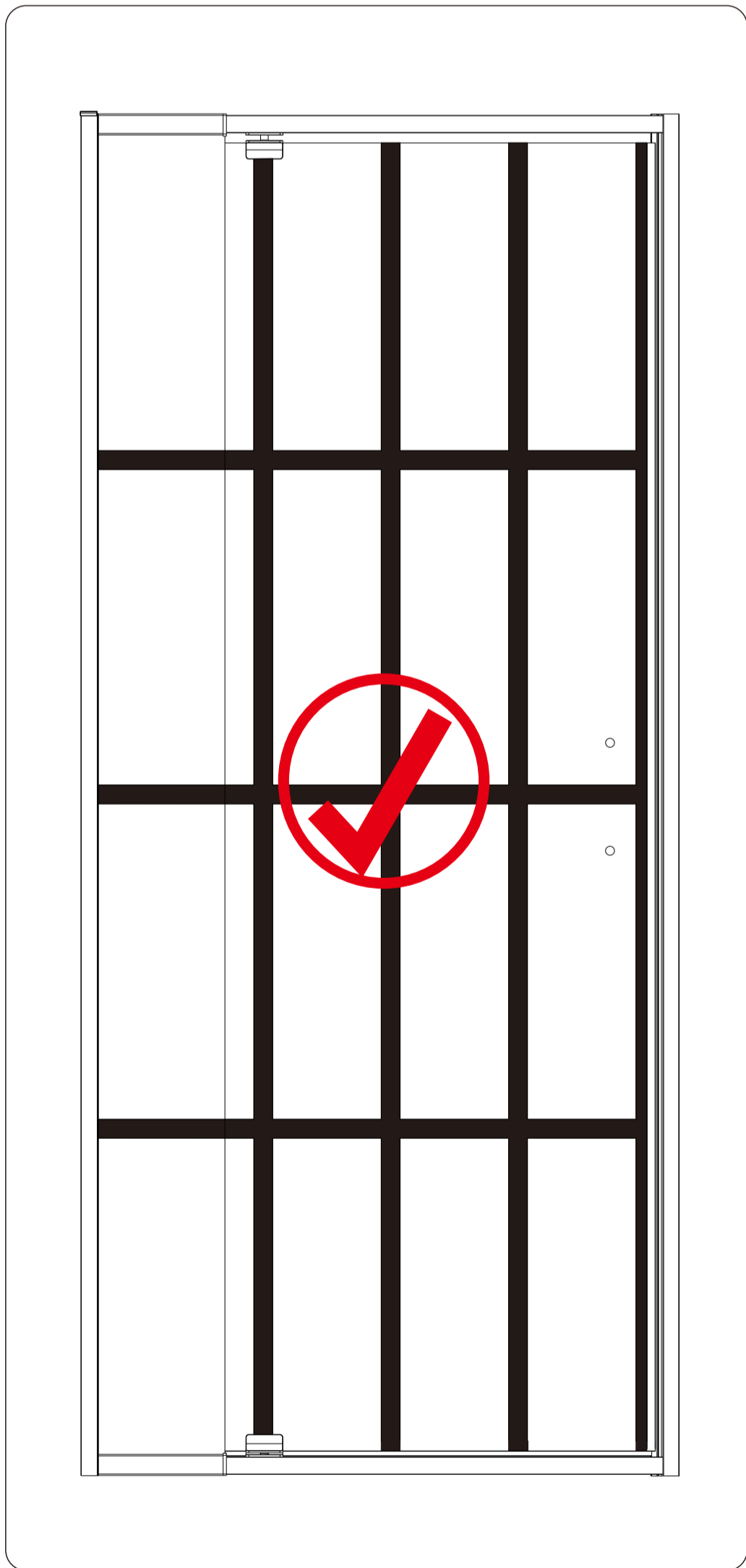
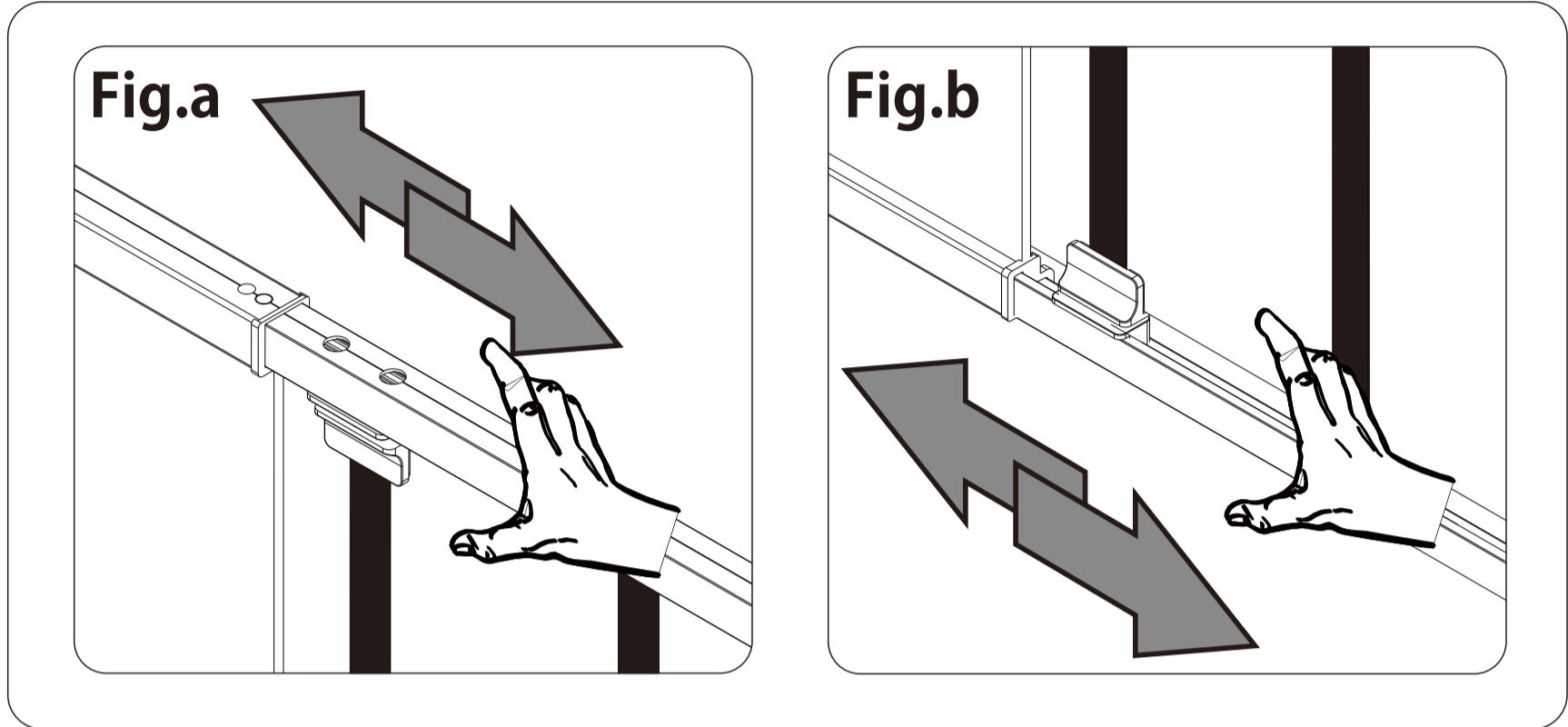
1. Install the **Anti-Water Strip(F)** to the **Left Glass Door(E)** as Fig.a .
2. Install the **Magnetic Strip(P)** to the **Right Glass Door(E)** as Fig.b .



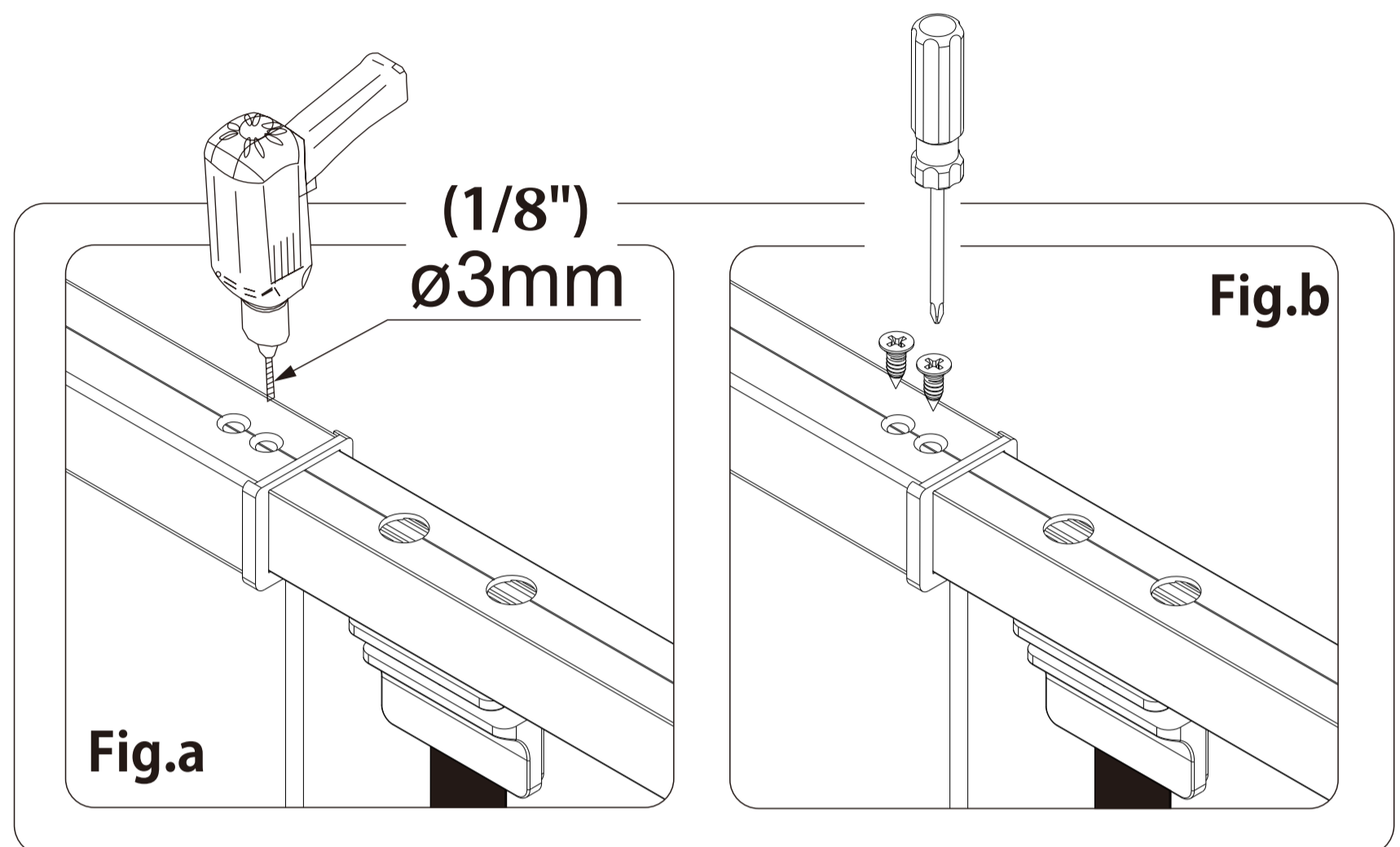
**11** Adjust the Door Frame

NOTE

1. Adjust the upper and lower door frames left and right to adjust the **Magnetic Stripe(P)** to fit as Fig.a and Fig.b

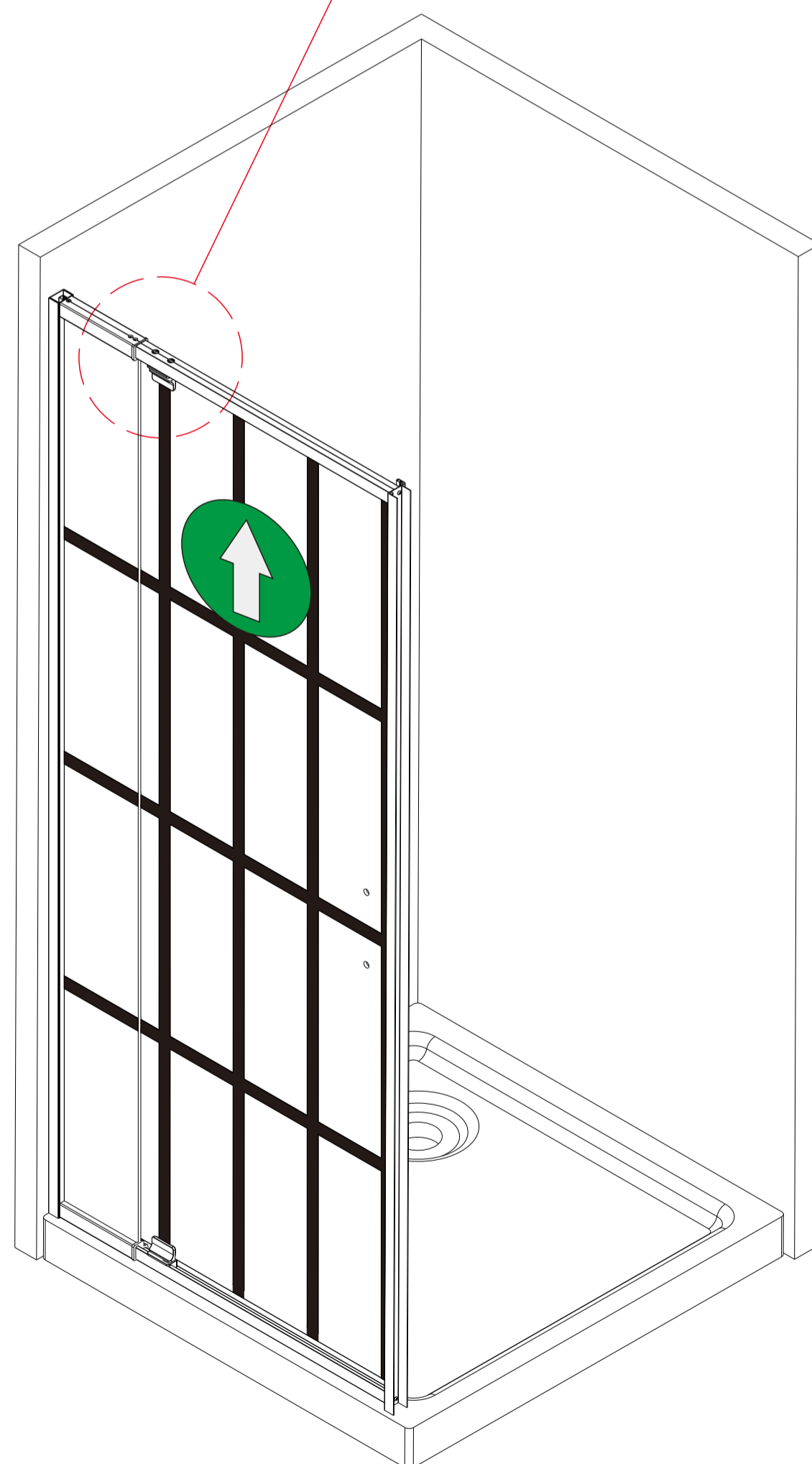


**12** Fixed Door Frames



NOTE

1. Drill 2 holes on the top of the Door Frames with 1/8" (3mm) drill bit as Fig.a .
2. Secure the door frame with screws as Fig.b.

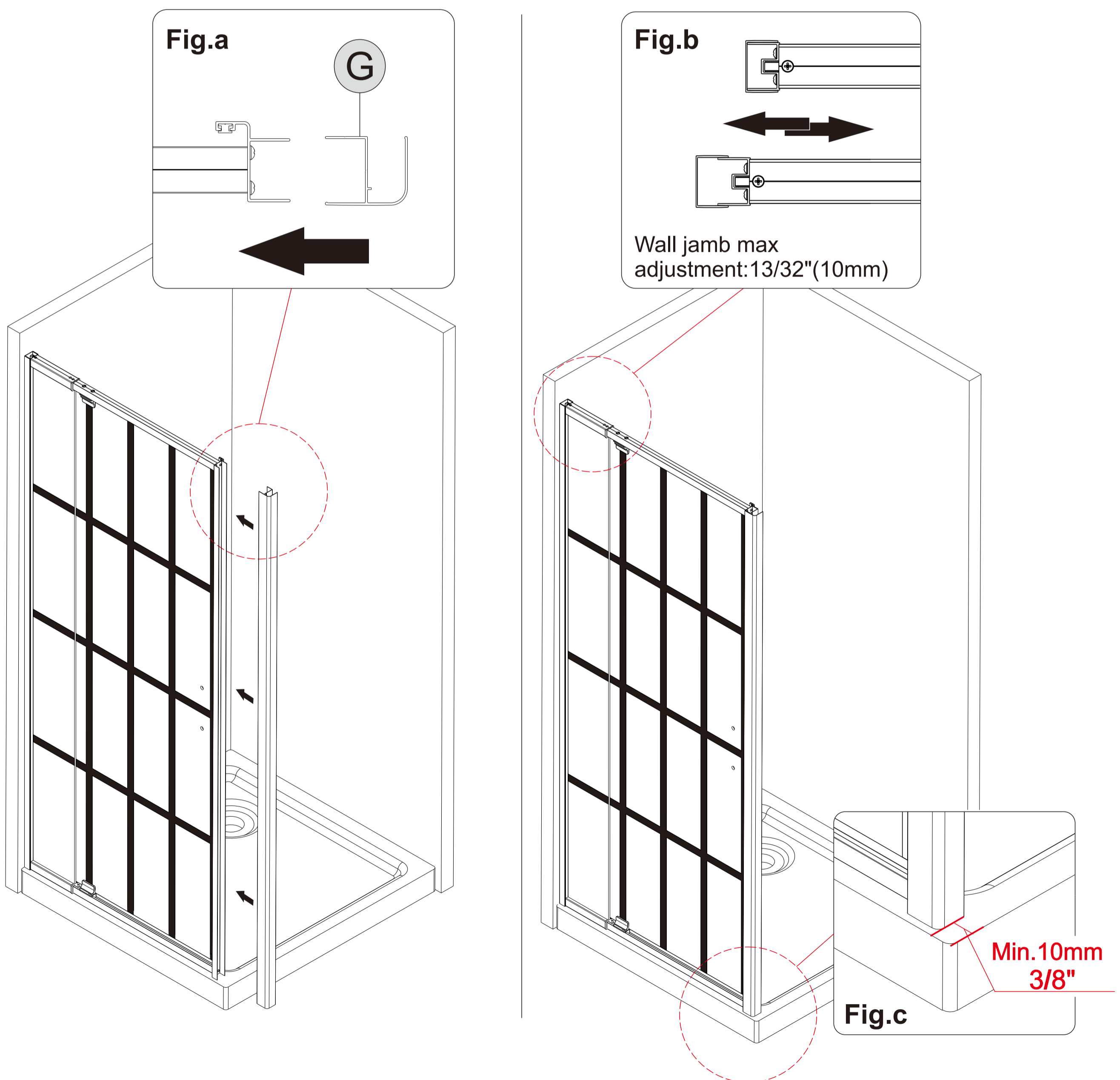


Note: The arrows are always pointing upwards

# 13 Install Corner Profile(G)

NOTE

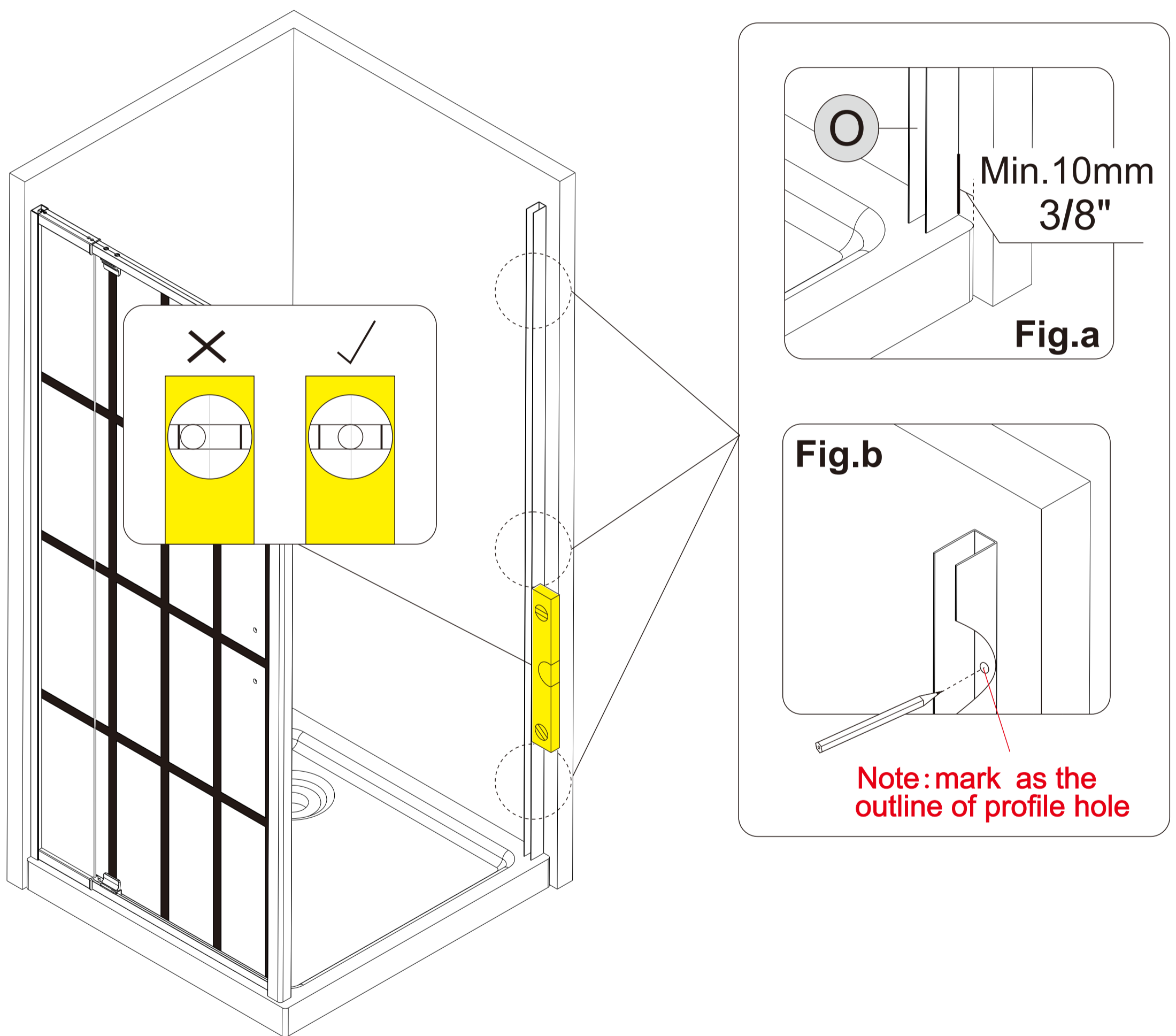
1. Place the **Corner Profile(G)** into the Door frame as Fig.a.
2. Adjust the door frame so that the **Corner Profile(G)** is 3/8"(10mm) away from the edge



# 14 Install Wall Jamb(O)

NOTE

1. Determine your starting point from the edge of tray ( 3/8" (10mm) is recommended) and mark the position as Fig.a.
2. Plumb your **Wall Jamb(O)** on each side and then mark screw holes position as Fig.b.

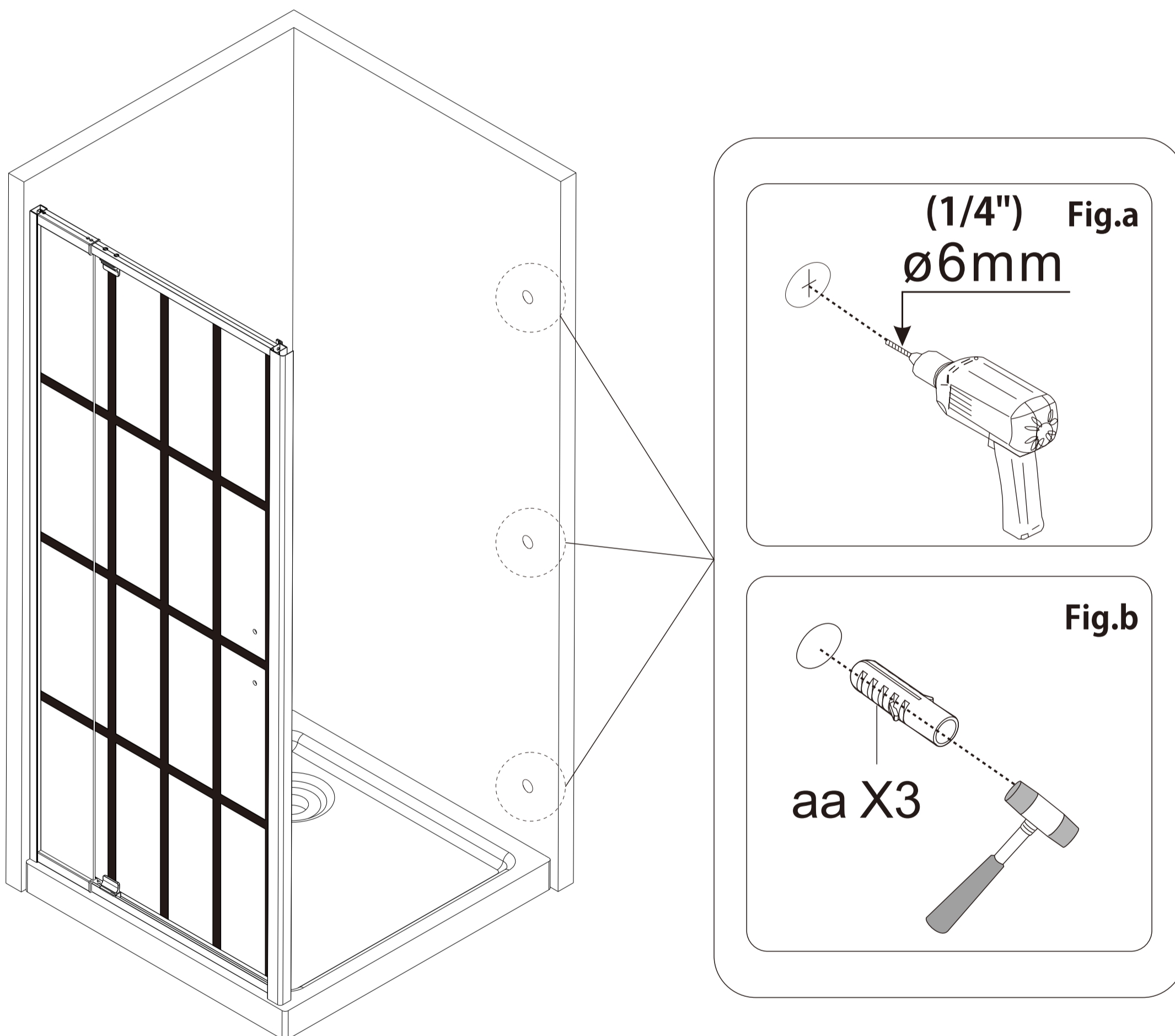


**Note:** The shower door can be installed left or right, according to the need to determine the installation direction.

**15** Drill screw holes for **Wall Jamb(O)** and insert in the **Wall Anchor(aa)**.

NOTE

1. Drill holes with  $\phi 6\text{mm}(1/4\text{'})$  drill bit as Fig.a.
2. Insert the **Wall Anchor(aa)** as Fig.b.



NOTE

- If a Stud is present behind the wall:  
drill  $\phi 1/8\text{'}$ (3mm) pilot holes into the stud and use the ST4.0x30mm **Screws(bb)**  
OR
- If NO Stud is present behind the wall:  
drill  $\phi 1/4\text{'}$ (6mm) holes and insert the **Wall Anchors(aa)** and use the ST4.0x30mm **Screws(bb)**.

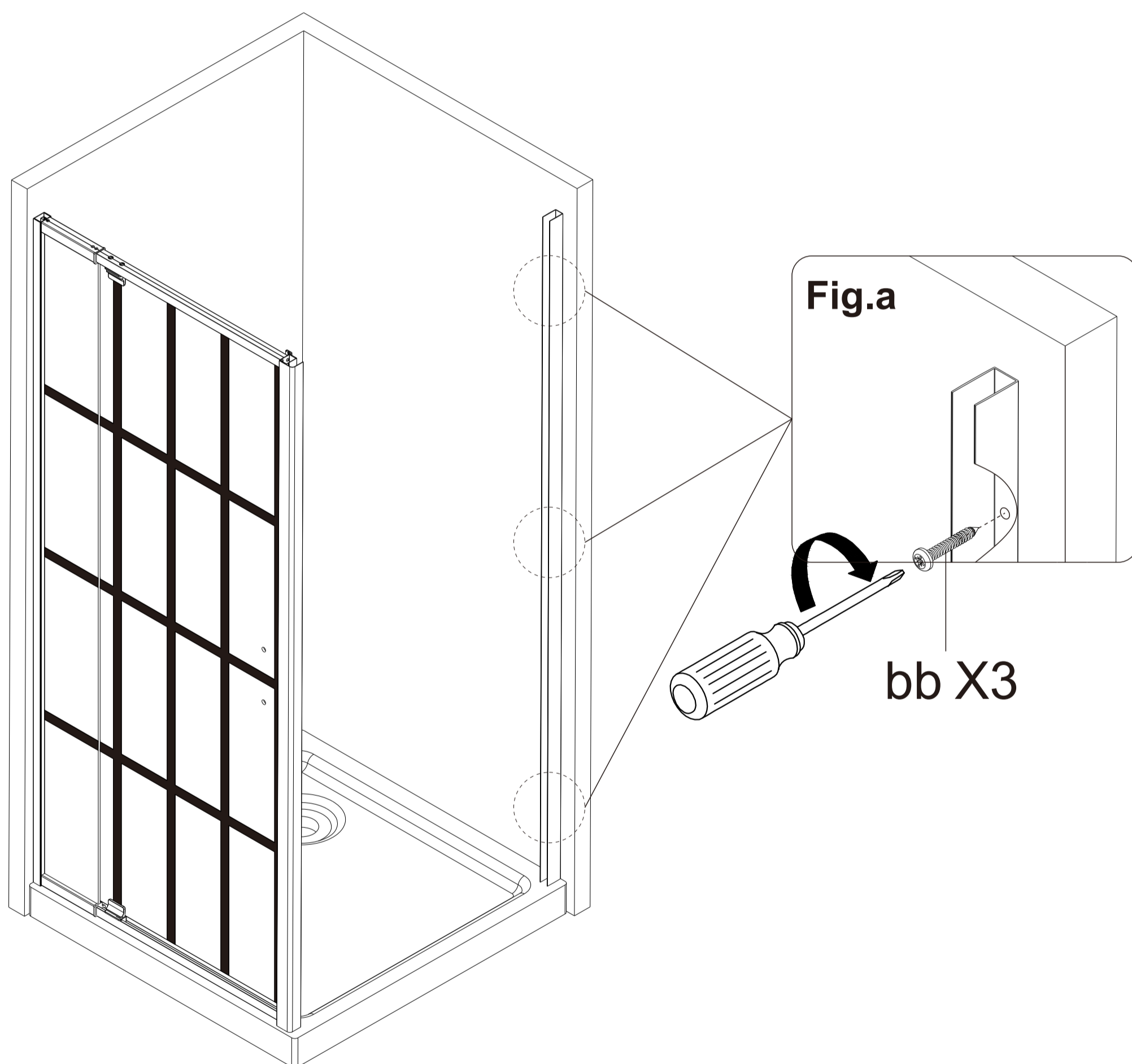


**Note: The shower door can be installed left or right, according to the need to determine the installation direction.**

**16** Install Wall Jamb(O).

NOTE

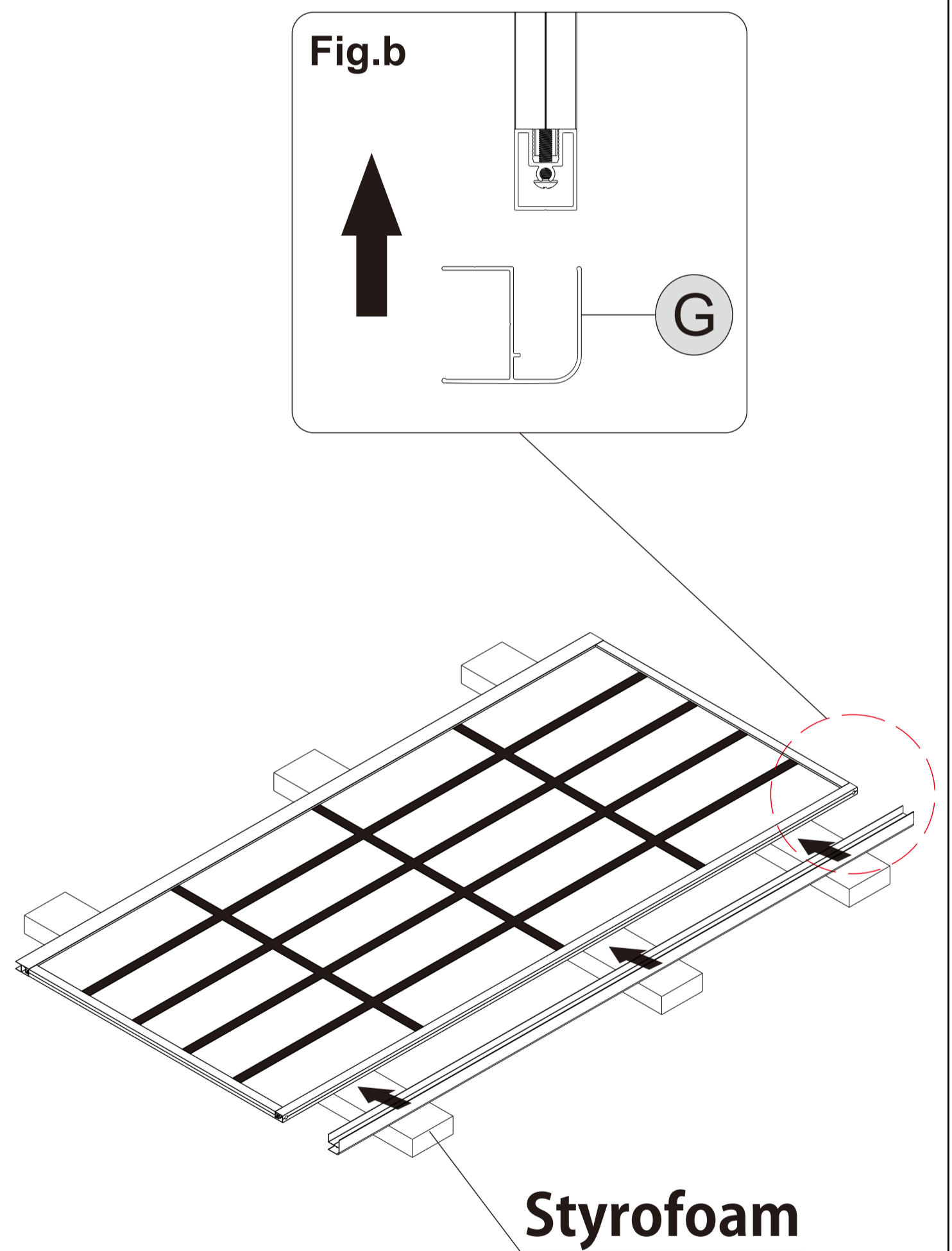
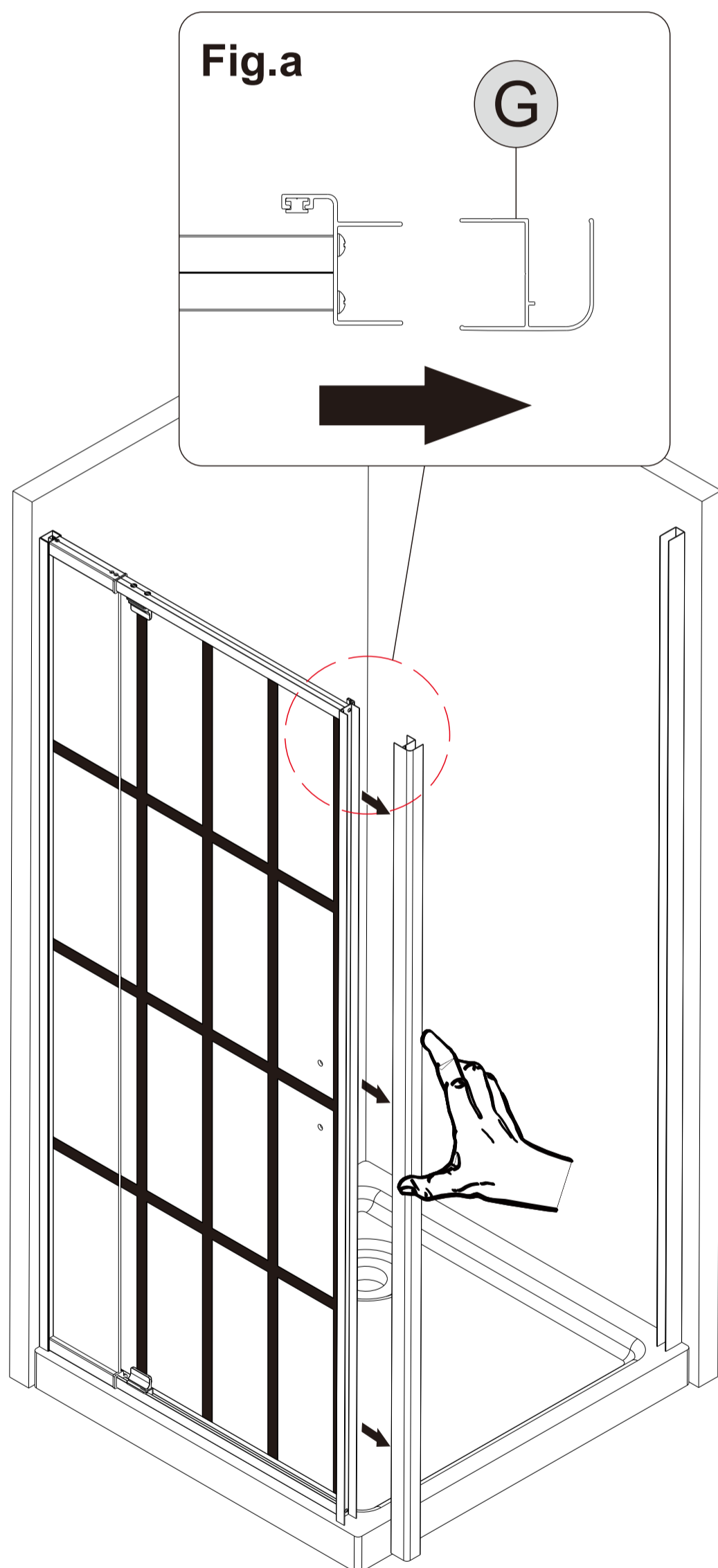
1. Fix **Wall Jamb(O)** with **Screw(bb)** as Fig.a .



# 17 Fixed Corner Profile(G)

NOTE

1.Remove a **Corner Profile(G)** the door frame and mount it on the Stationary Glass as Fig.a and Fig.b.

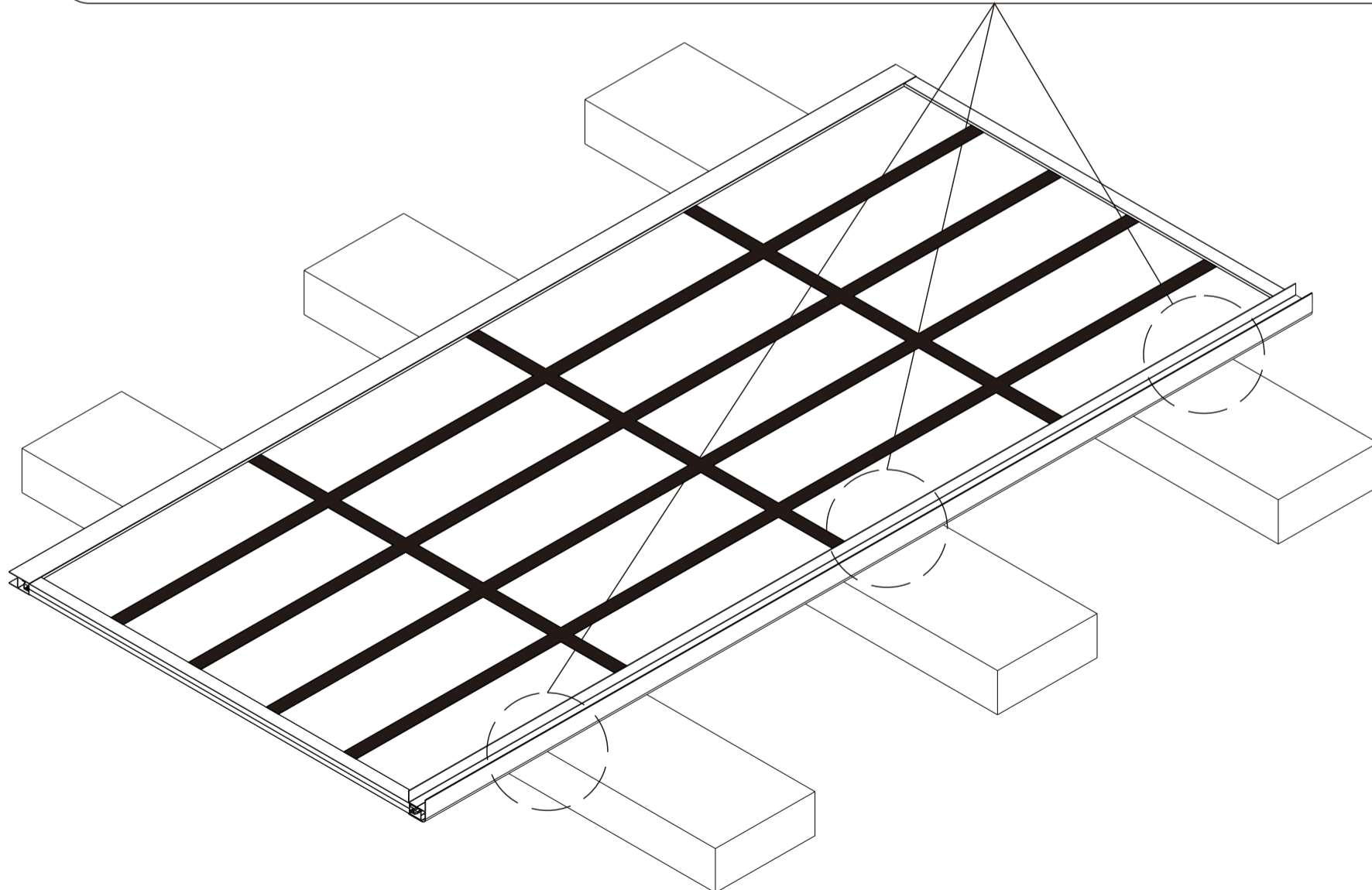
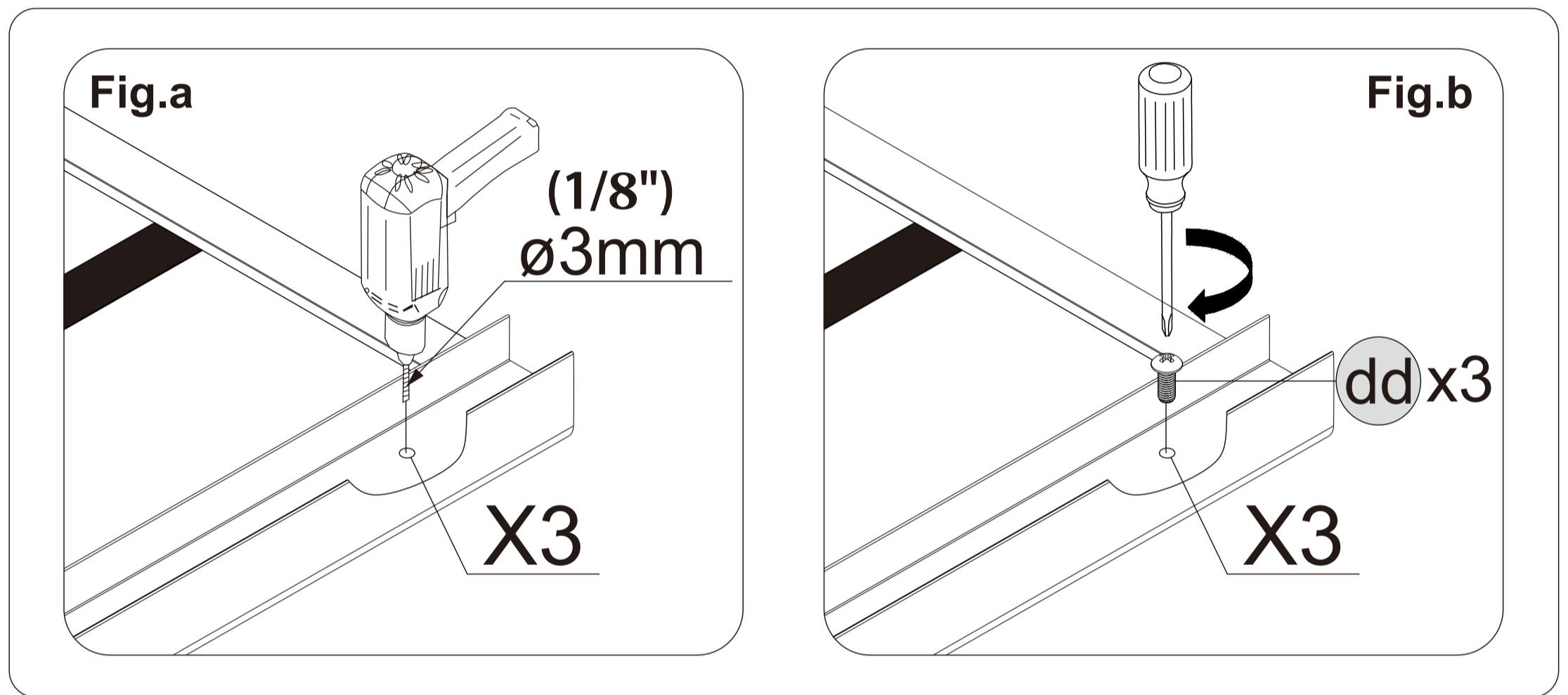


**CAUTION:** Do not put glass directly on the ground

# 18 Fixed Corner Profile(G)

NOTE

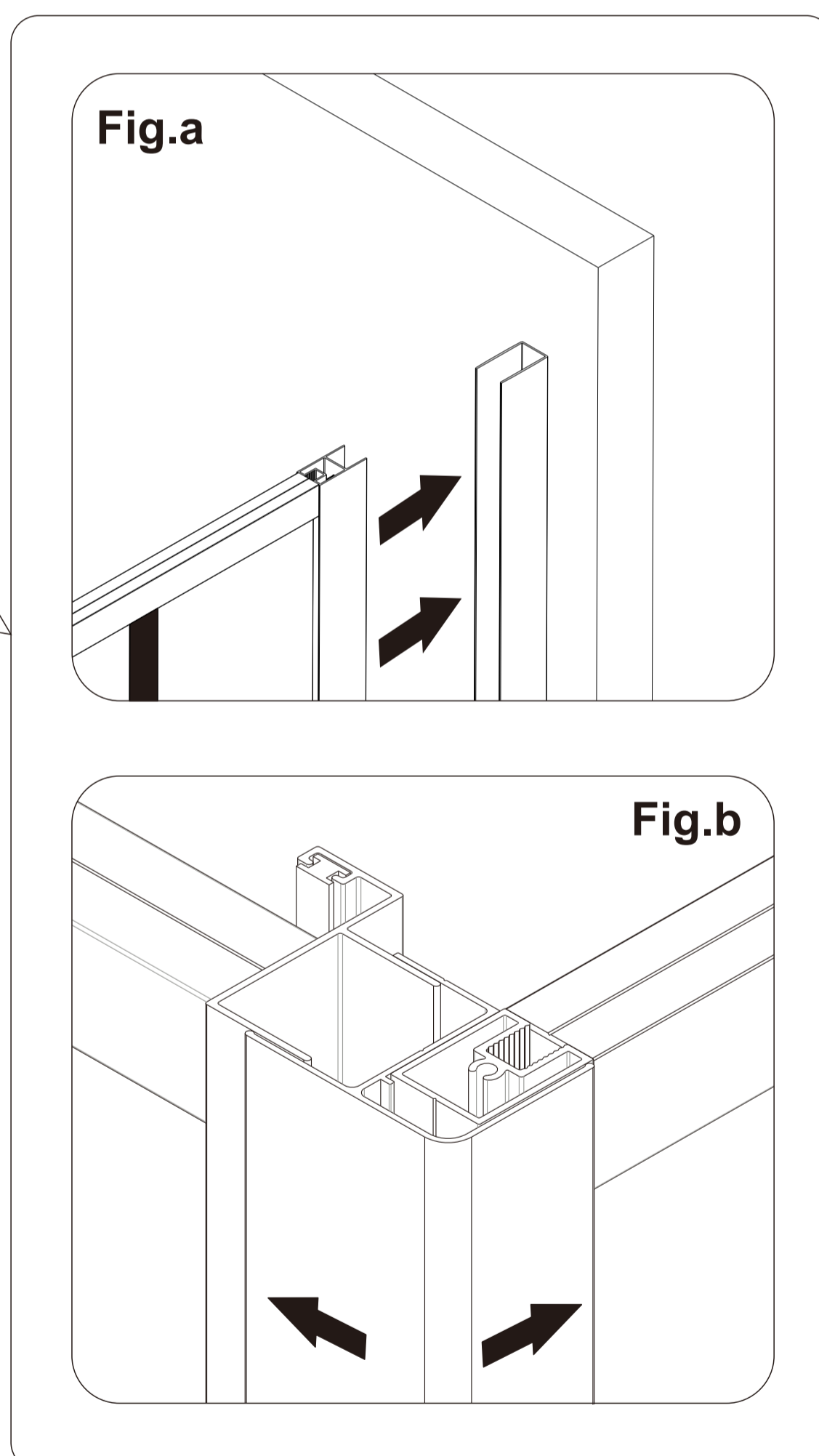
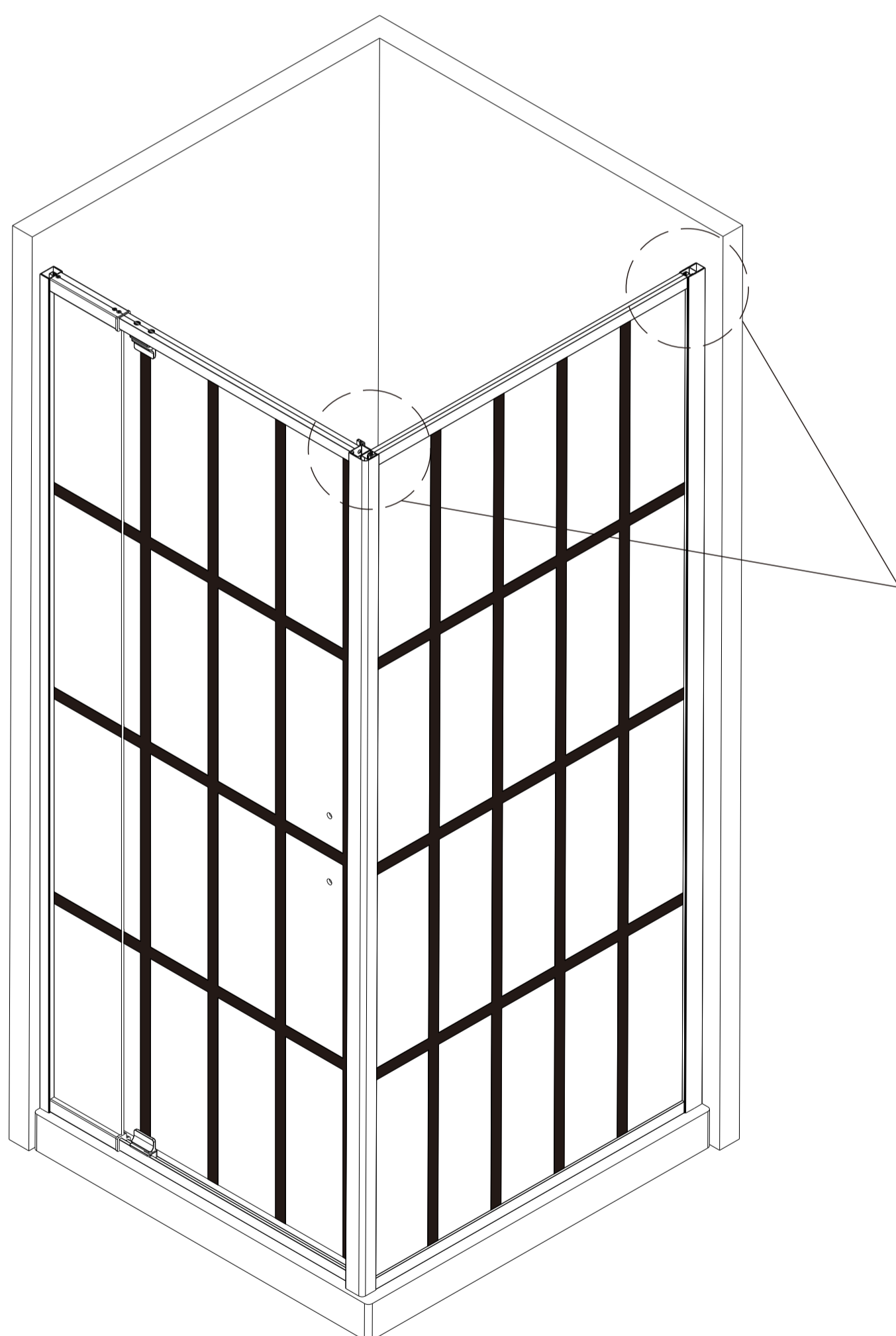
1. Drill 3 holes on the inside of the **Corner Profile(G)** with 1/8"(3mm) drill bit as Fig.a.
2. Secure the **Corner Profile(G)** with **Metric screw(dd)** as Fig.b.



# 19 Install Stationary Glass(H)

NOTE

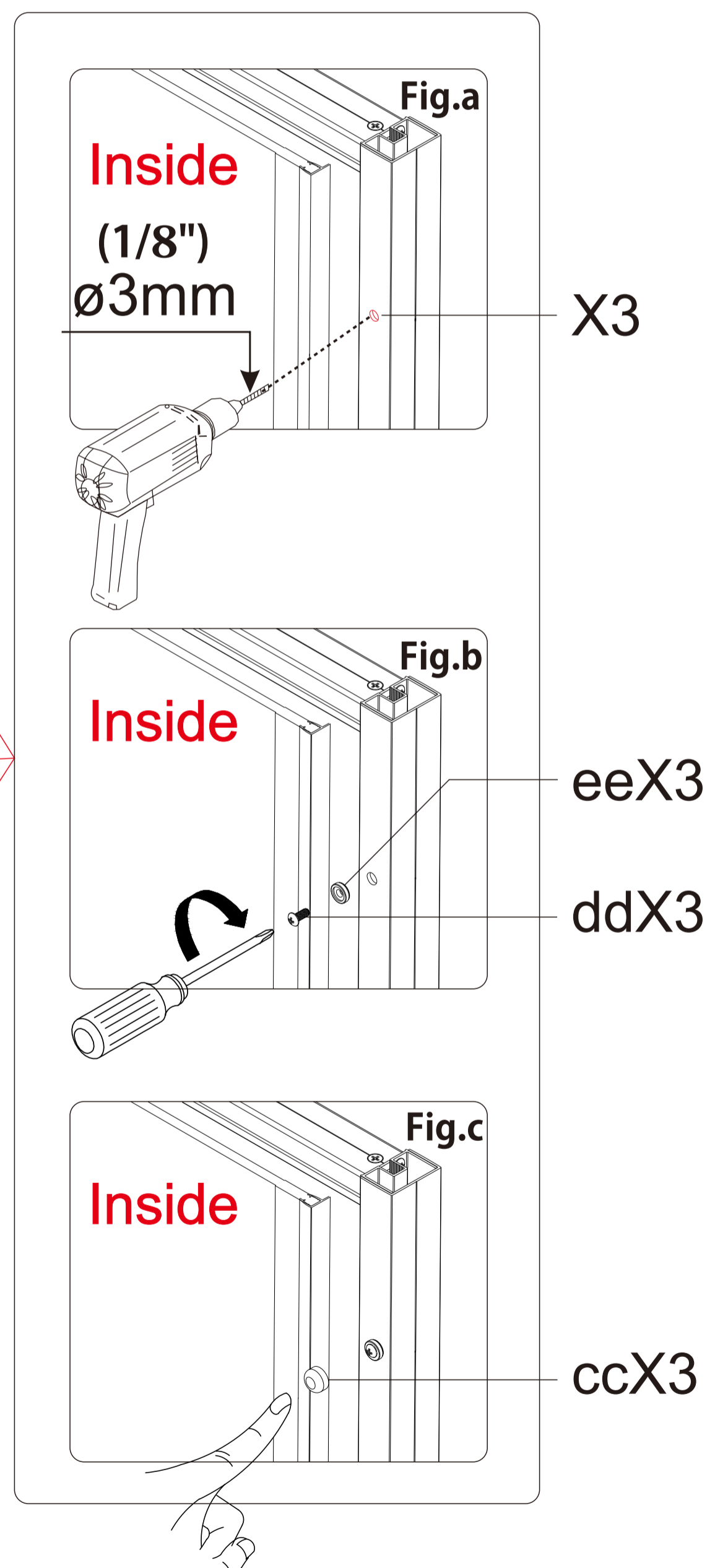
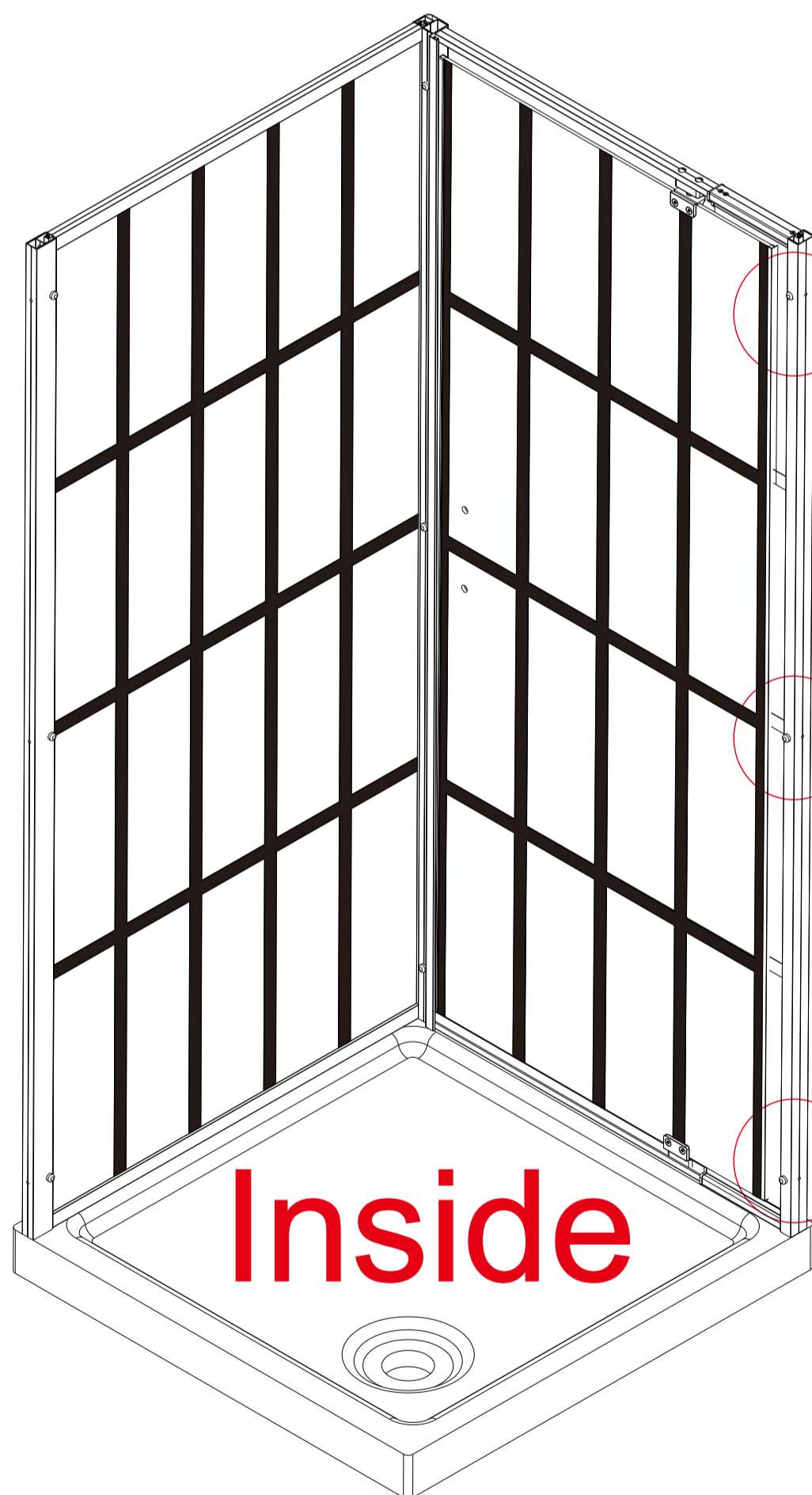
1. Snap the side **Stationary Glass(H)** into the **Wall Jamb (O)** and the **Corner Profile(G)** into the door frame as Fig.a and Fig.b.



**20** Lock Door Frame

NOTE

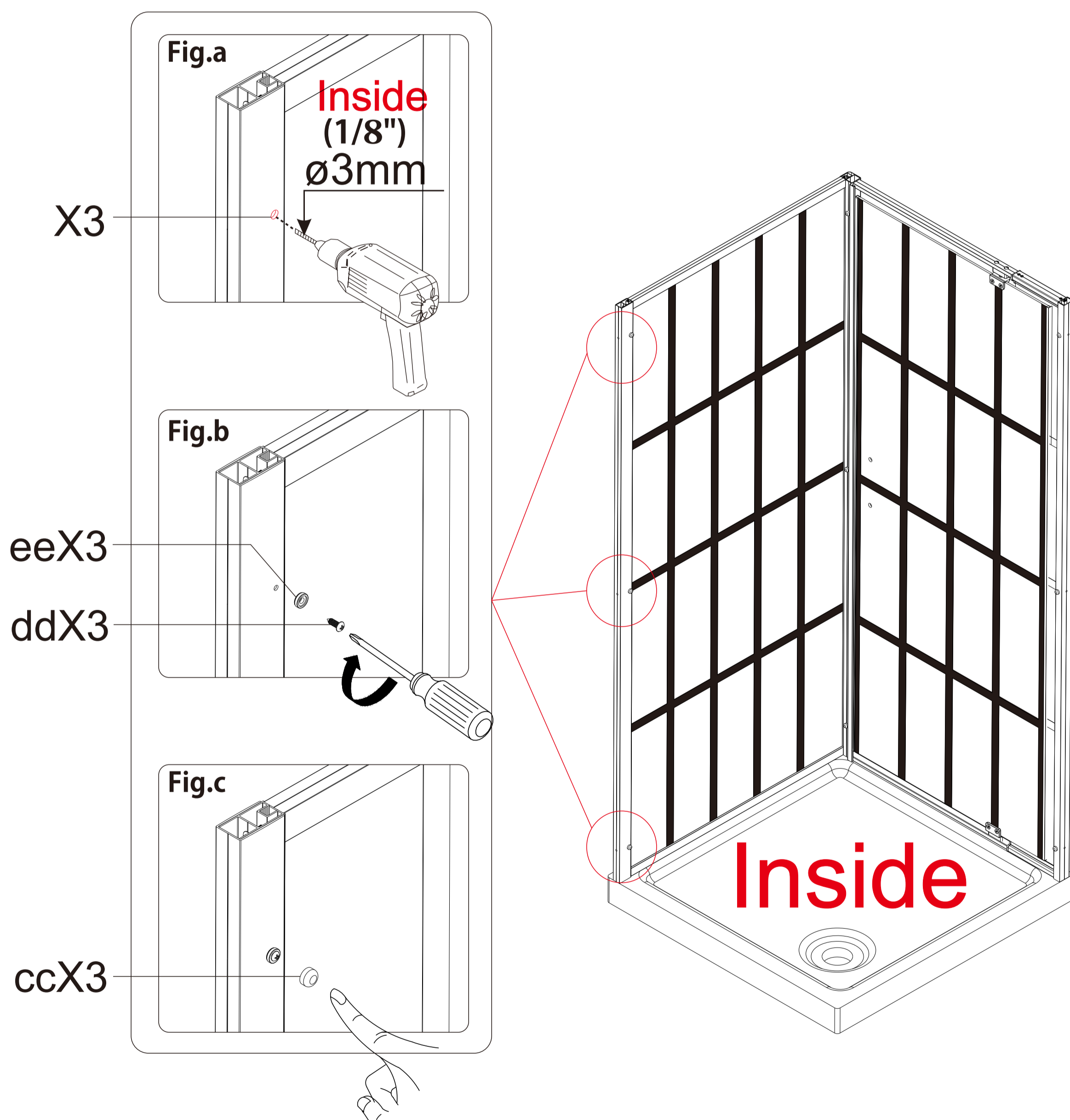
1. Drill 3 holes on the inside of the **Wall Jamb(A)** with 1/8"(3mm) drill bit as Fig.a .
2. Install **Screw(dd)** and screw cover cap **Washer(ee)** as Fig.b .
3. Install **Screw cap(cc)** as Fig.c .



## 21 Lock Stationary Glass(H)

NOTE

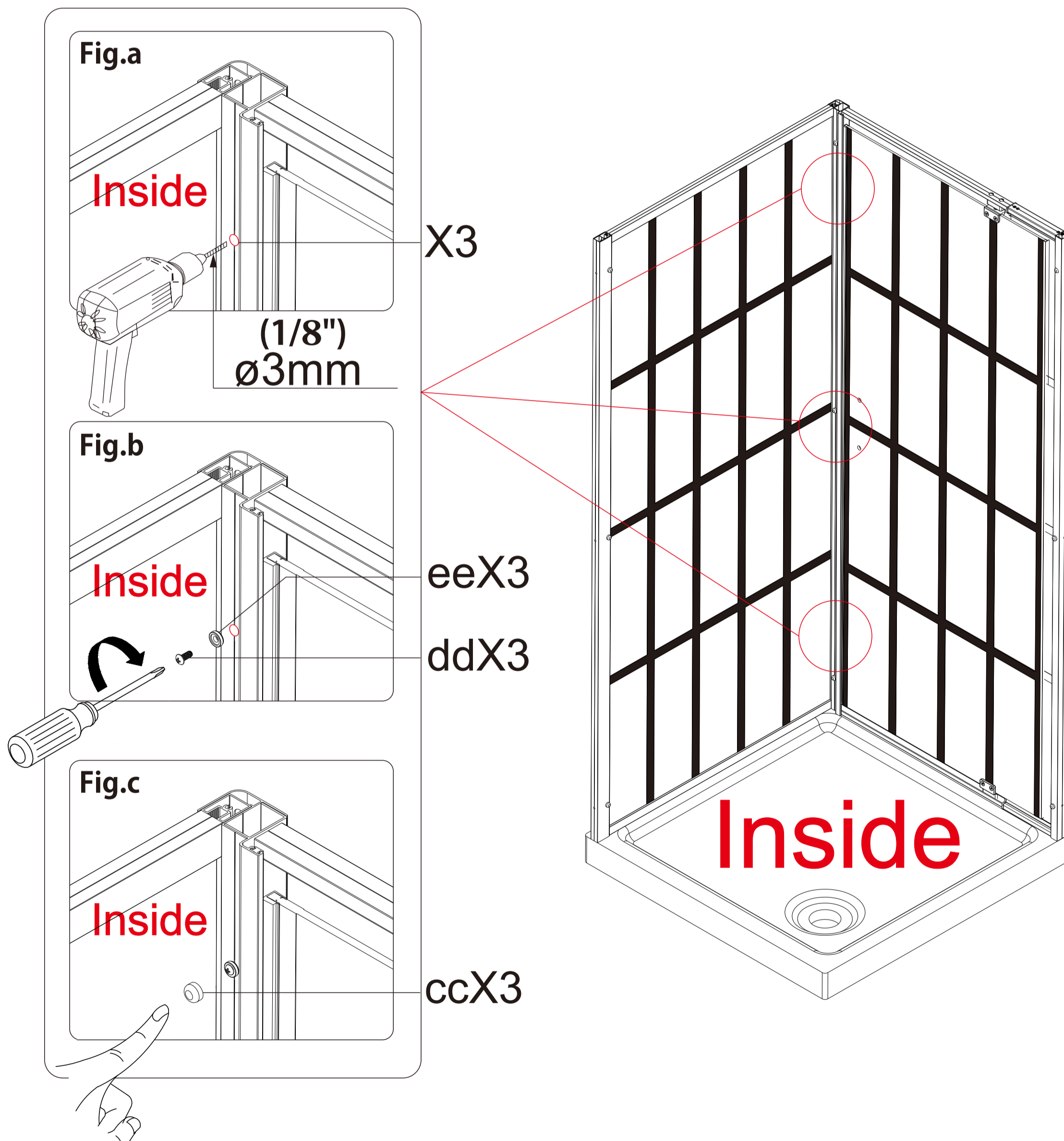
1. Drill 3 holes on the inside of the **Wall Jamb(O)** with 1/8"(3mm) drill bit as Fig.a .
2. Install **Screw(dd)** and screw cover cap **Washer(ee)** as Fig.b .
3. Install **Screw cap(cc)** as Fig.c .



## 22 Lock Corner Profile(G)

NOTE

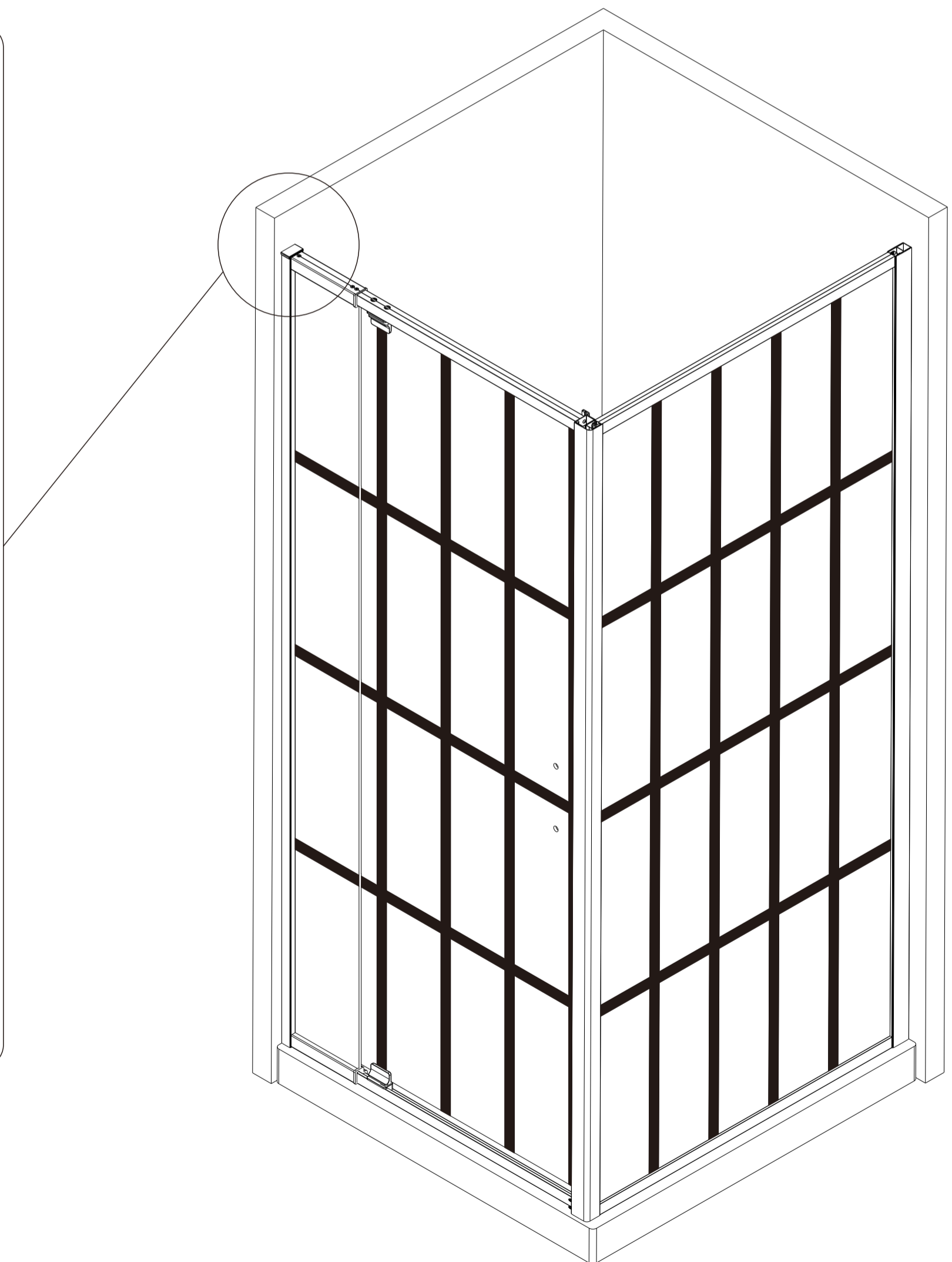
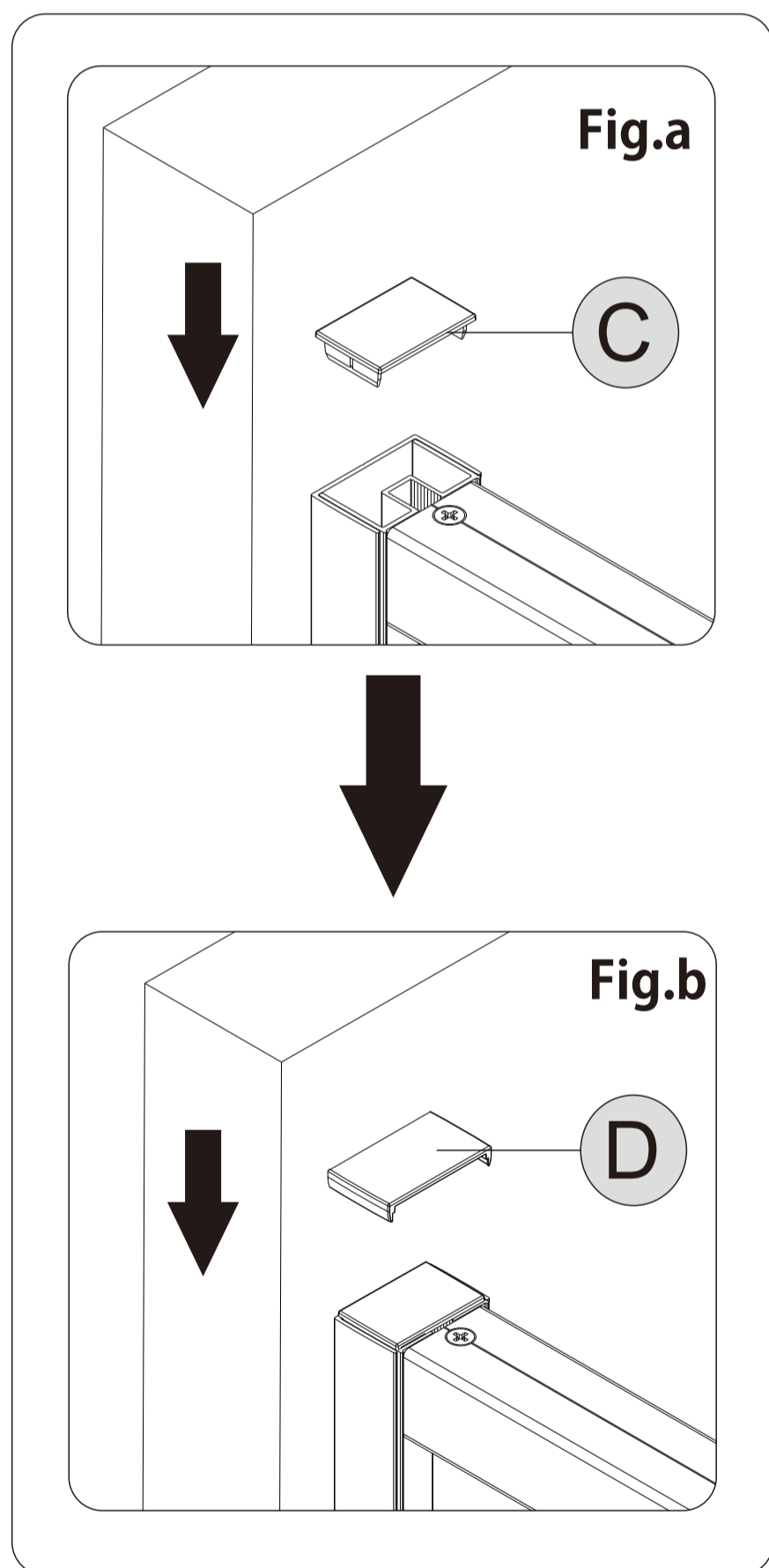
1. Drill 3 holes on the inside of the **Corner Profile(G)** with 1/8"(3mm) drill bit as Fig.a .
2. Install **Screws(dd)** and screw cover cap **Washer(ee)** as Fig.b .
3. Install **Screw cap(cc)** as Fig.c .



**23** Install Upright Profile Cover(C) and Wall Jamb Cover(D)

NOTE

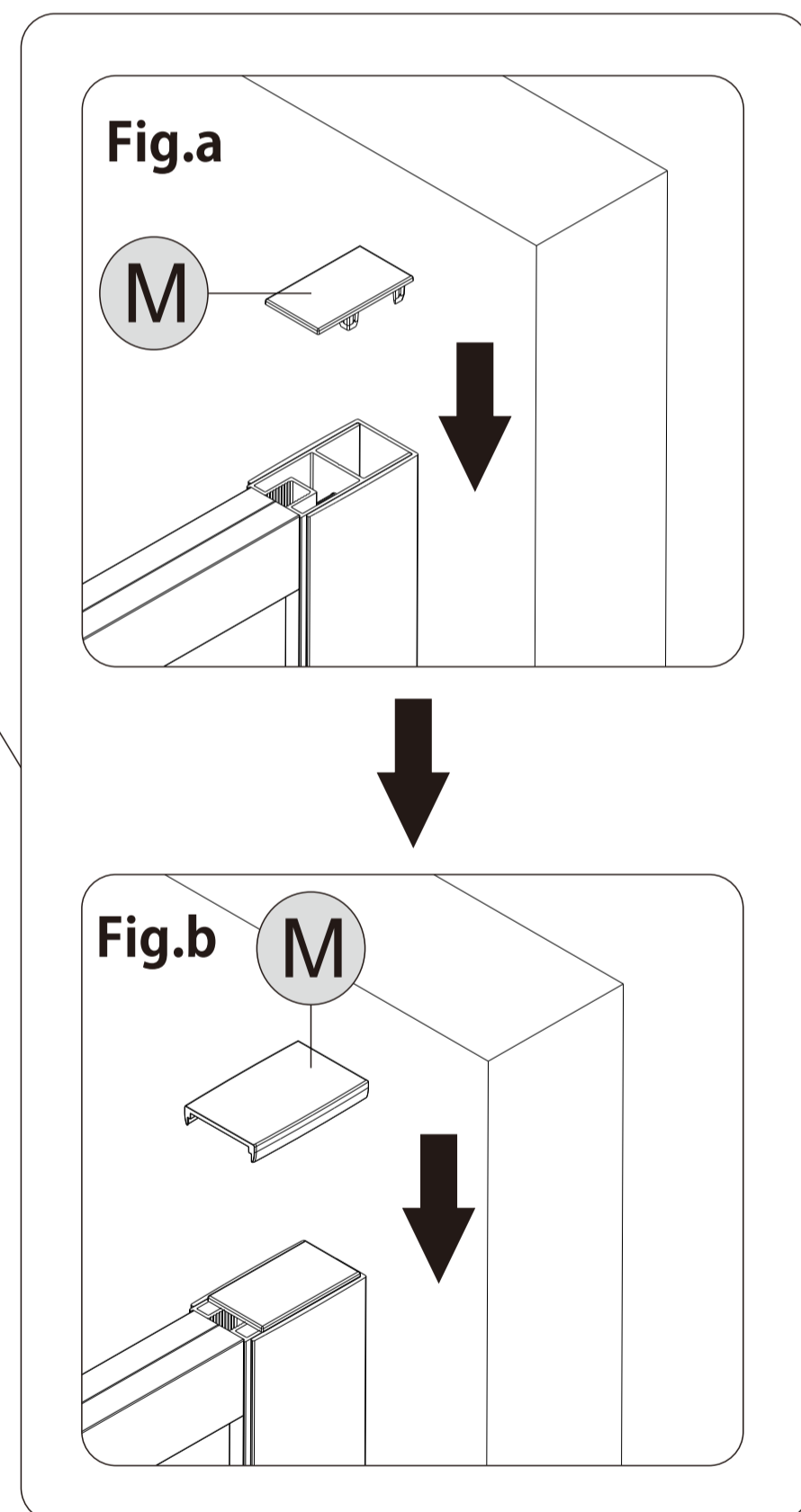
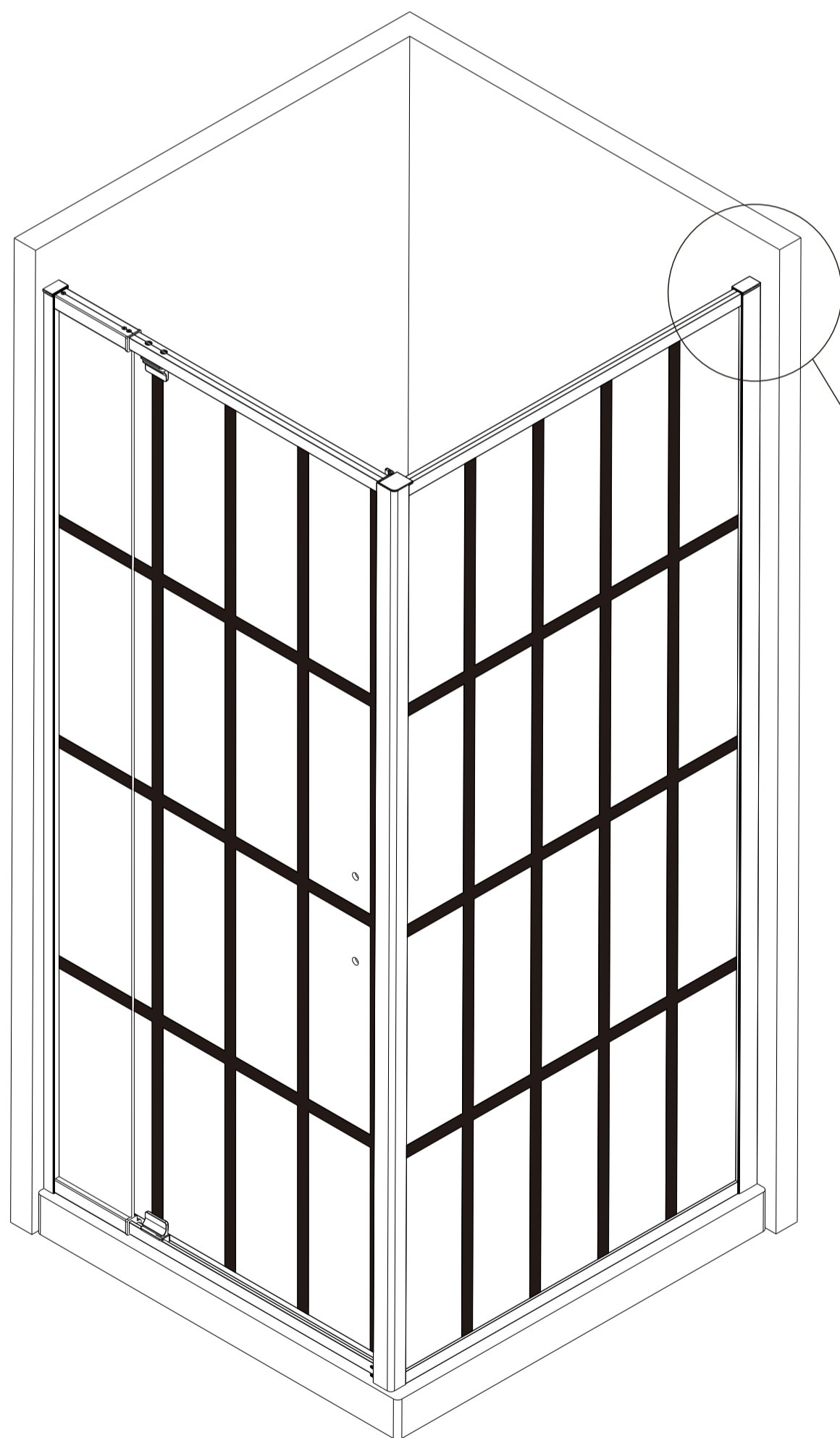
1. Install the Upright Profile Cover(C) to the door frame as Fig.a
2. Install Wall Jamb Cover(D) the Wall Jamb(A) as Fig.b



**24** Install Upright Profile Cover(M) and Wall Jamb Cover(L)

NOTE

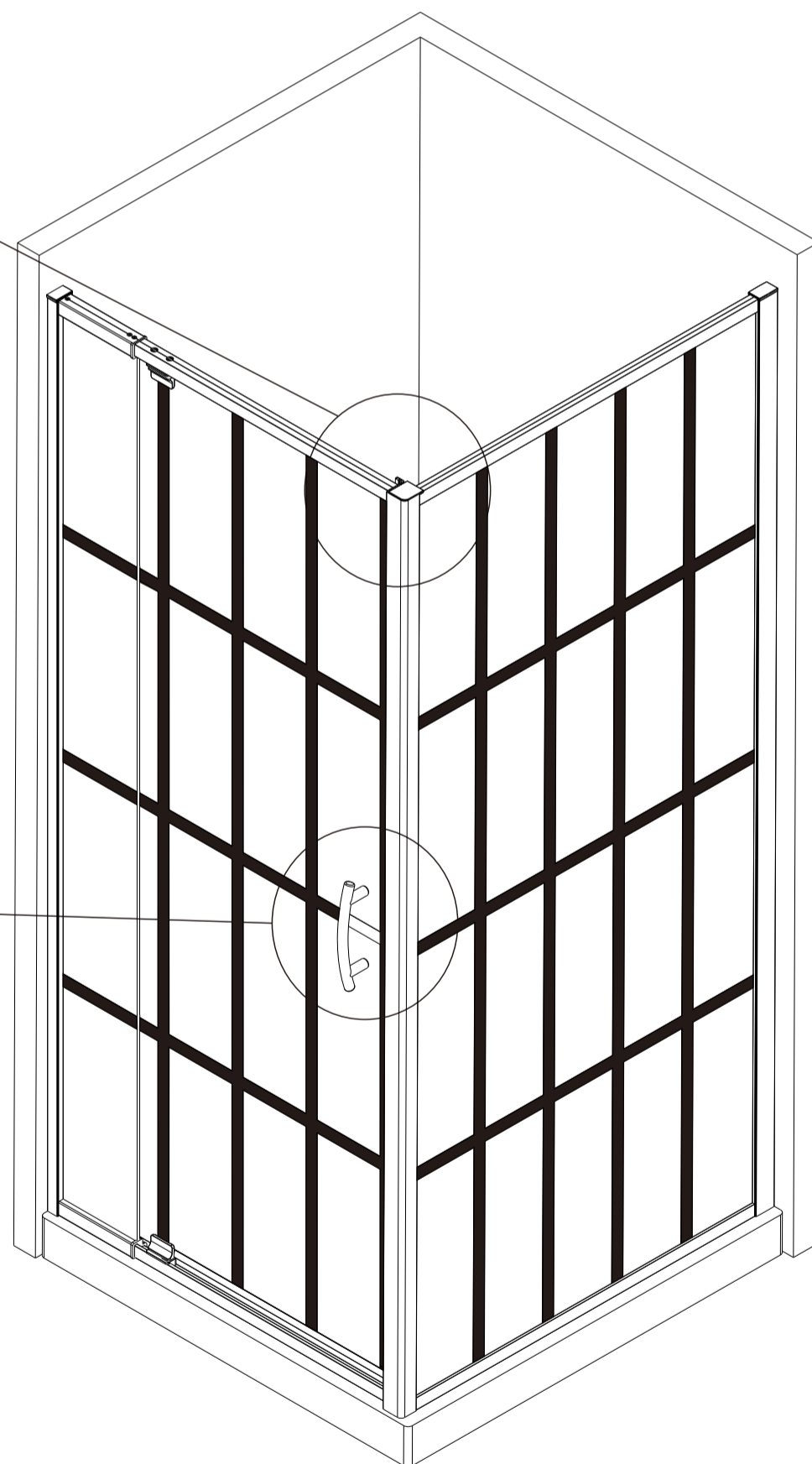
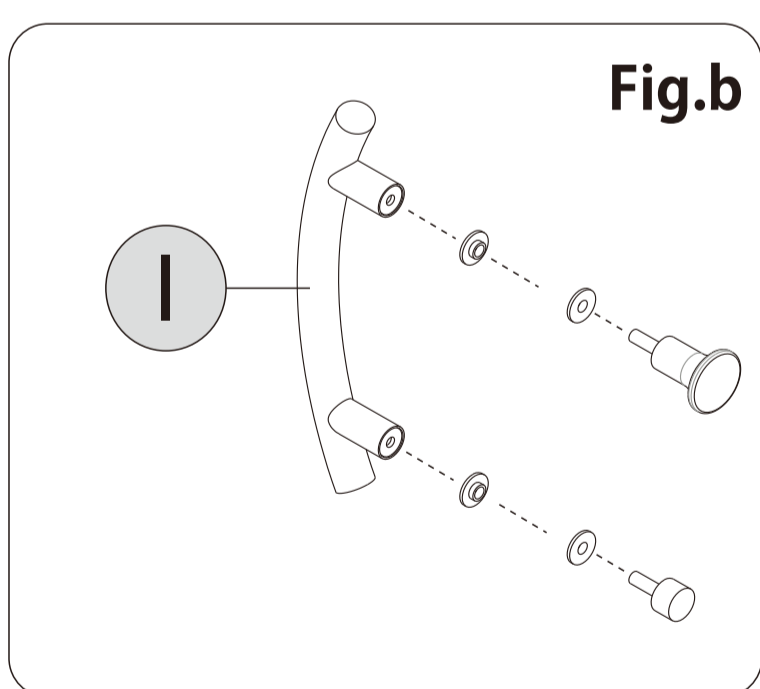
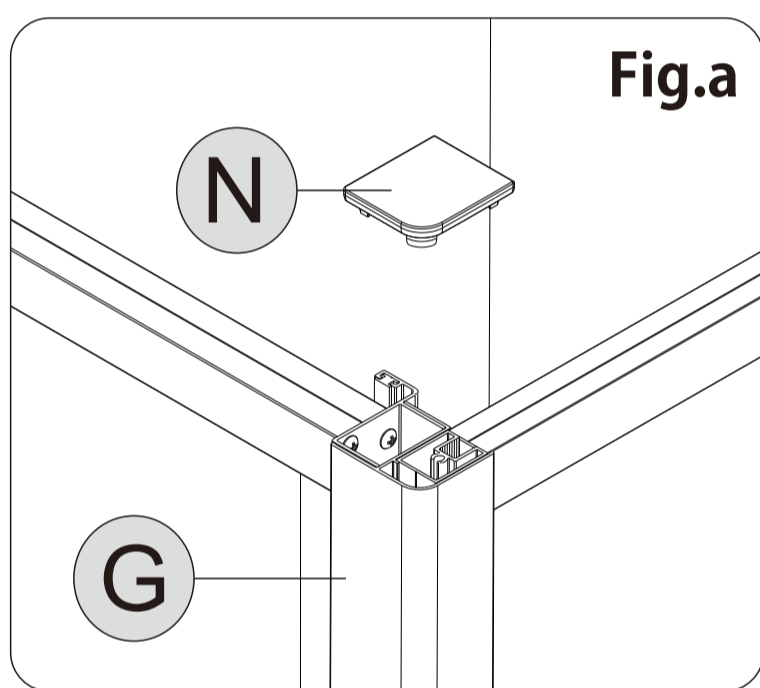
1. Install the Upright Profile Cover(C) to the Upright Profile as Fig.a
2. Install Wall Jamb Cover(L) the Wall Jamb(O) as Fig.b



# 25 Install Upright Profile Cover(N) and Handle(I)

NOTE

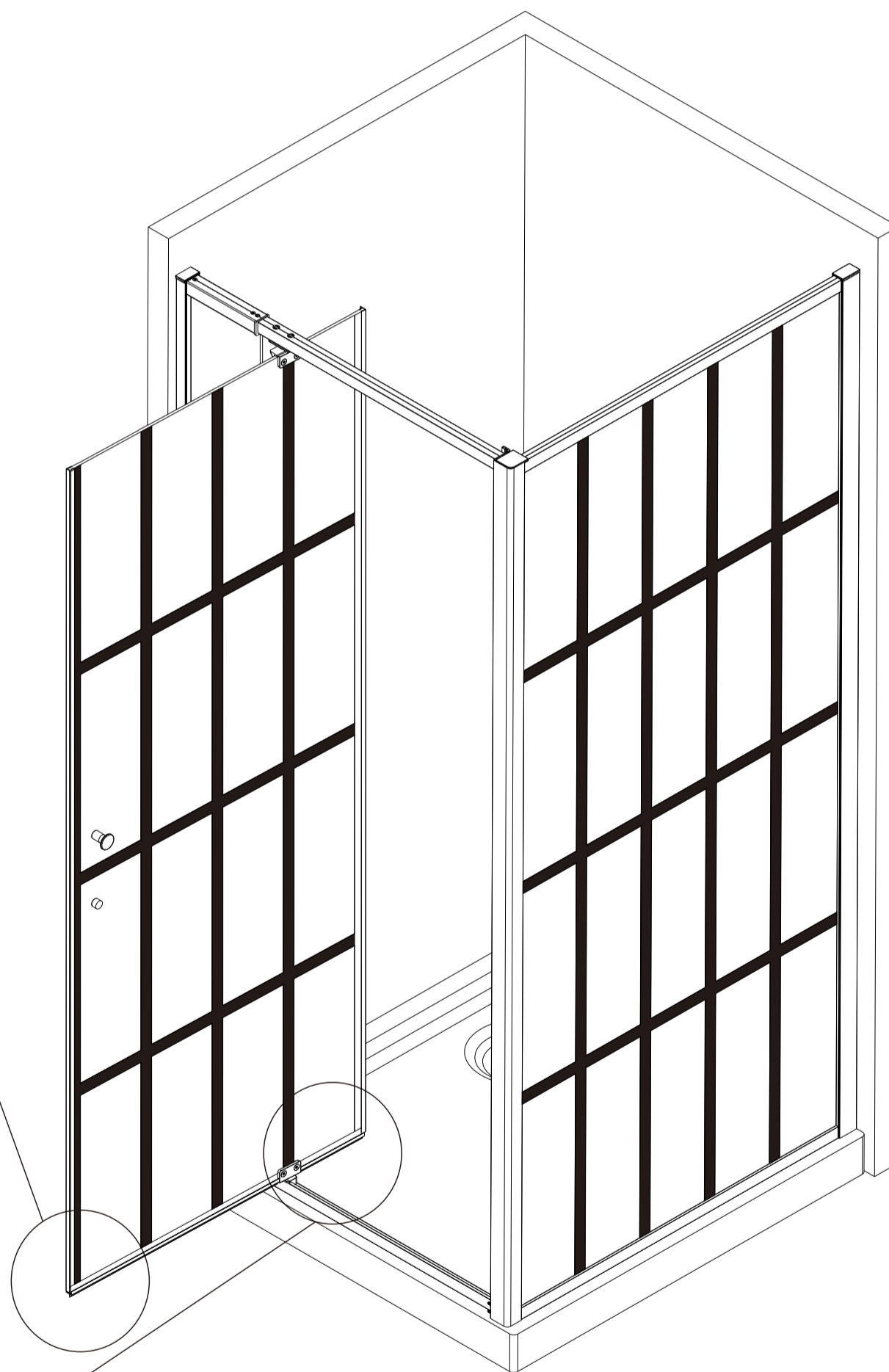
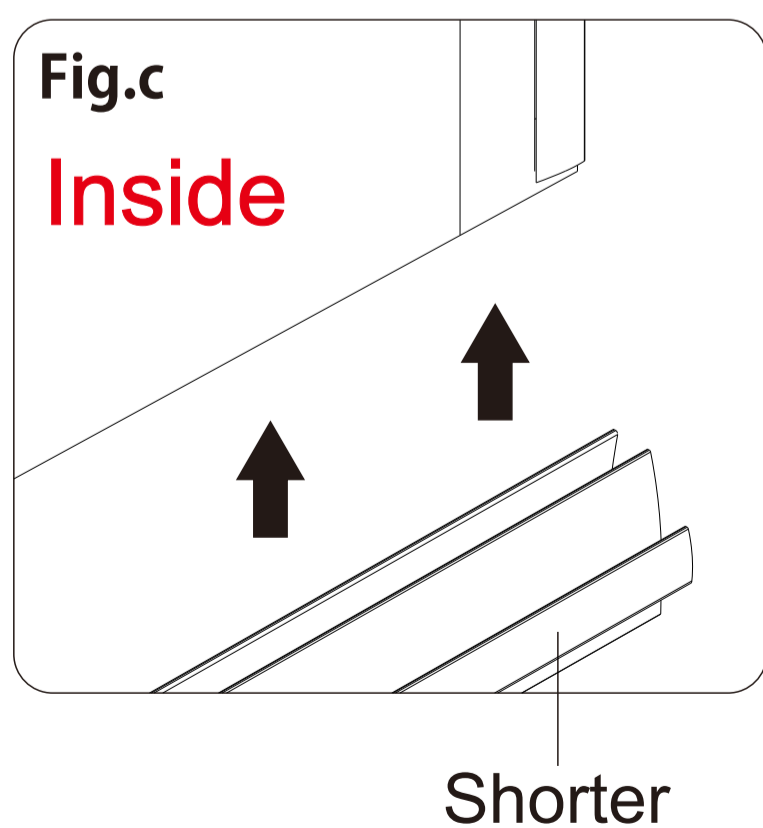
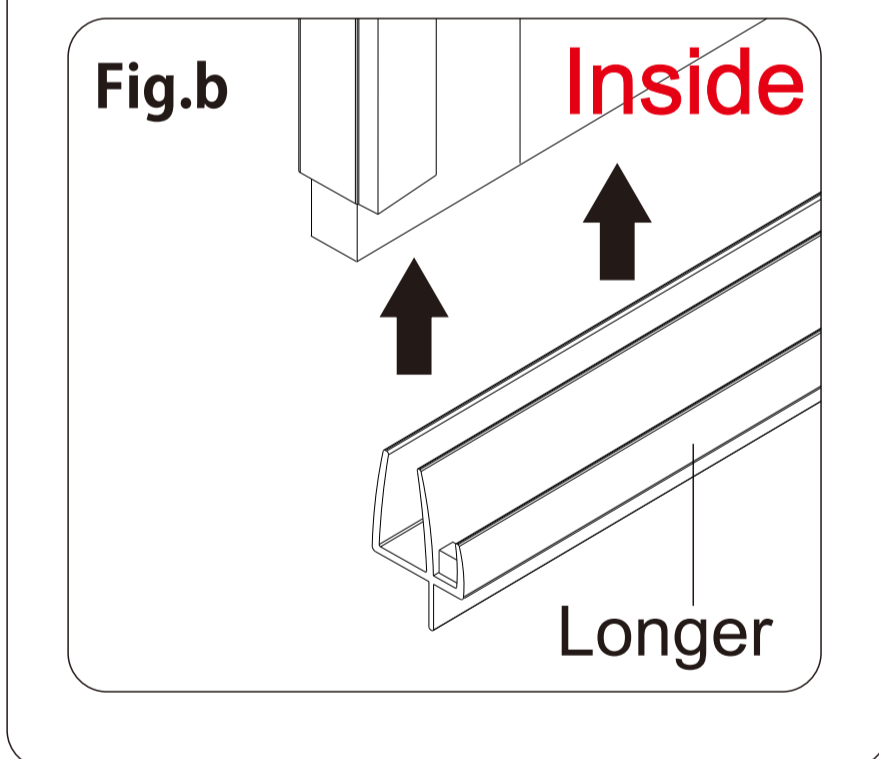
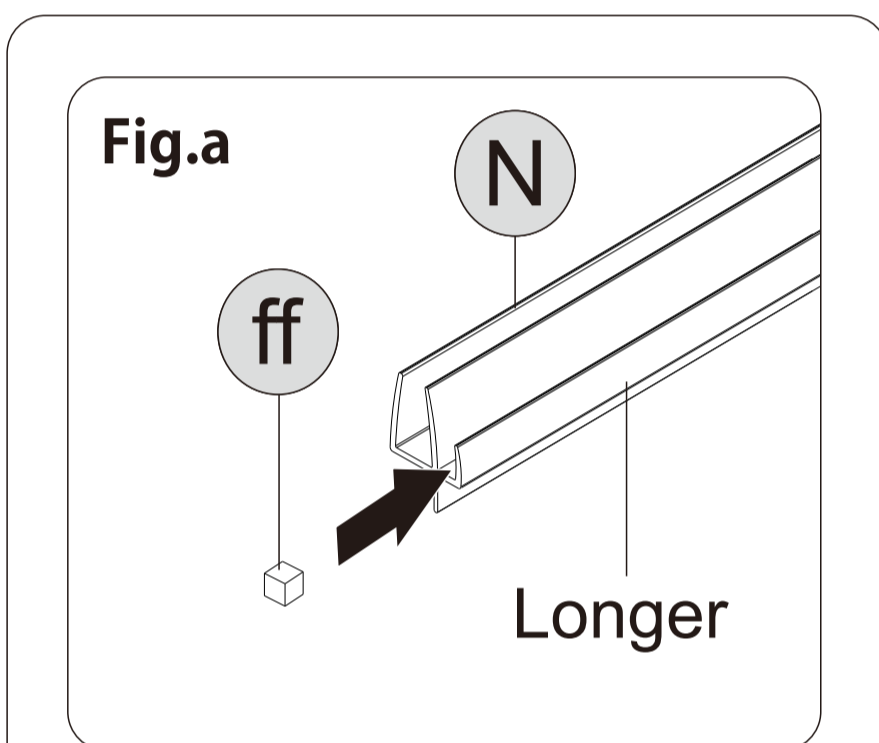
1. Install the **Upright Profile Cover(N)** to the **Corner Profile(G)** as Fig.a
2. Install **Handle(I)** as Fig.b.



# 26 Install Bottom Anti-Water Strip(K) and Choke Plug(ff)

NOTE

1. Install the Choke Plug(ff) on a longer Bottom Anti-Water Strip(N) as Fig.a .
2. Install Bottom Anti-Water Strip(K) as Fig.b and Fig.c.



# 27 SEALING

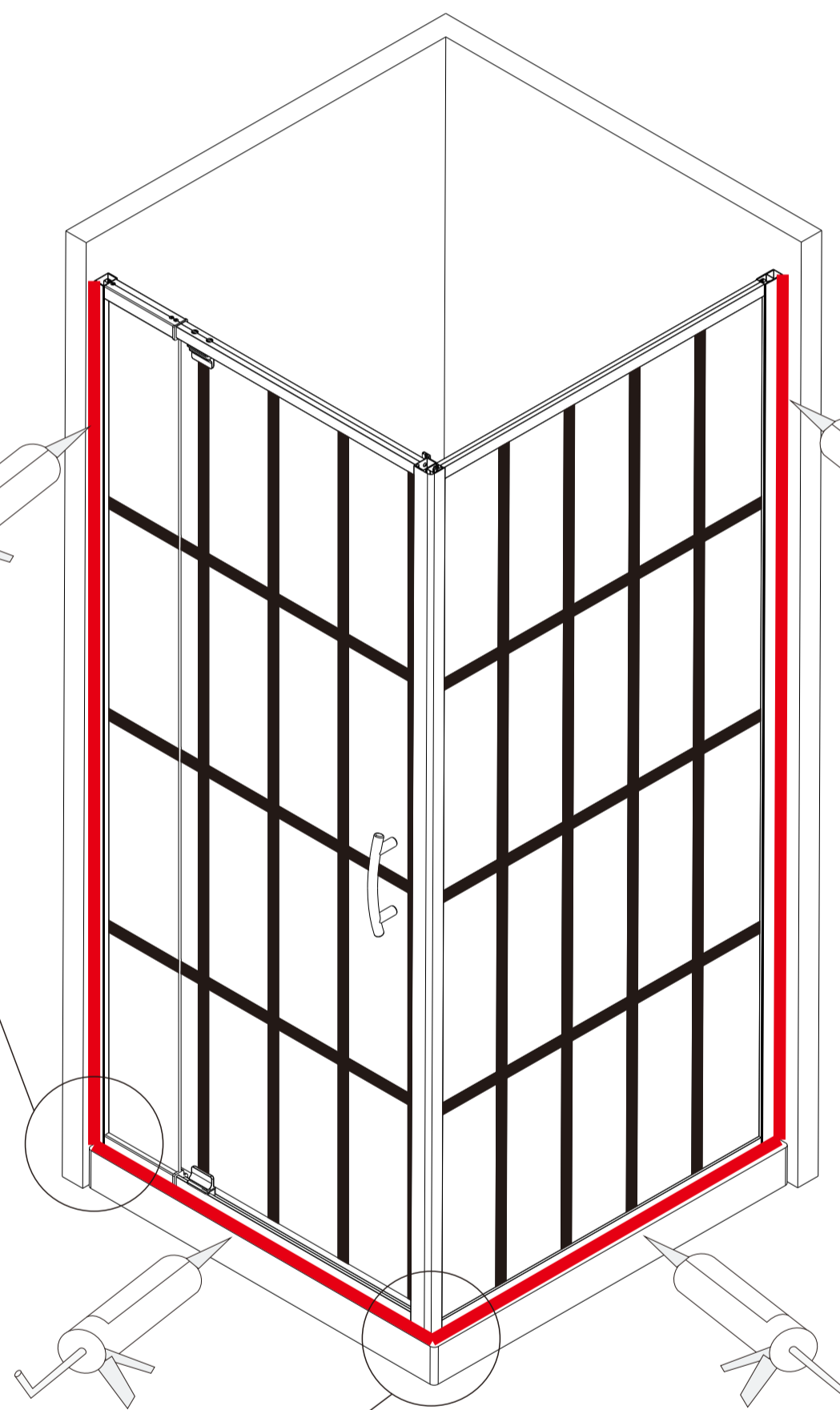
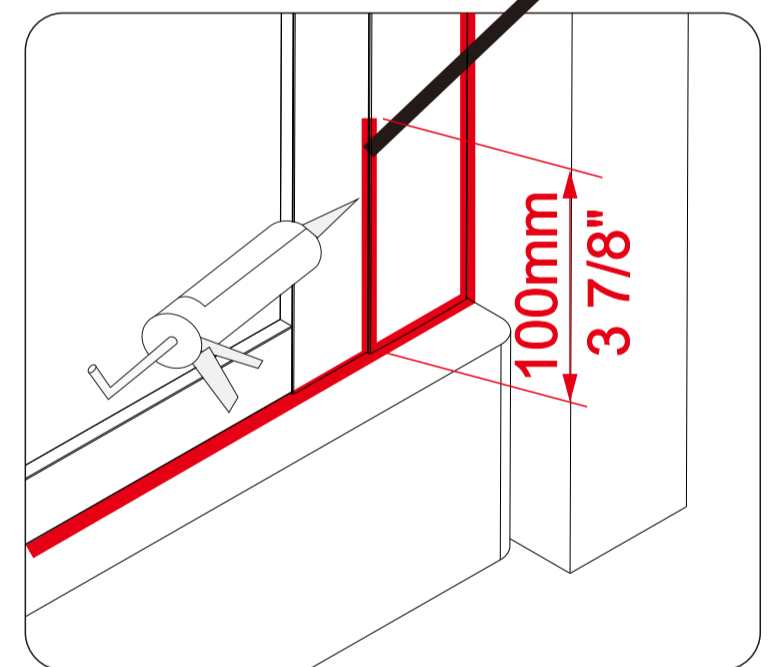
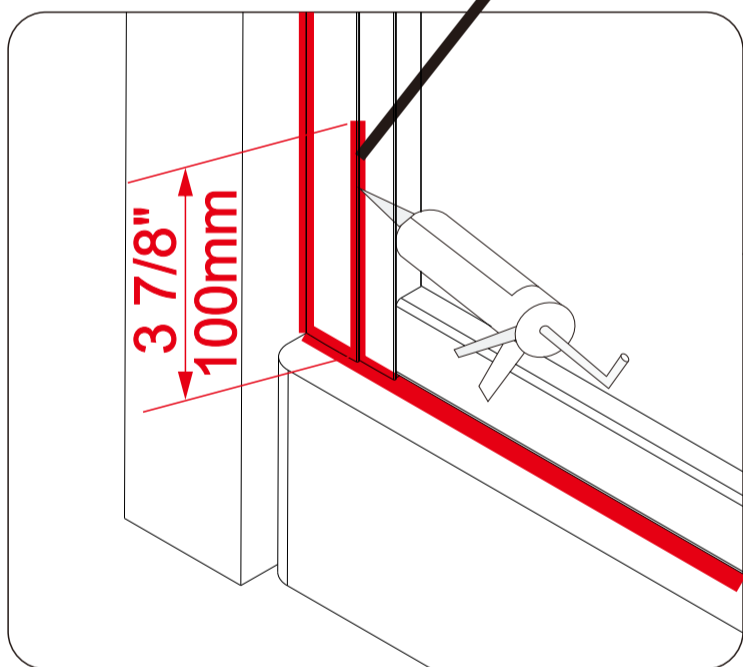
**NOTE** The surfaces need to be clean and free of debris before applying silicone.

**NOTE** Ensure that the Shower door closes tightly and opens smoothly. Apply a good quality silicone sealant along the **Wall Jamb(A)** and Door Frame.

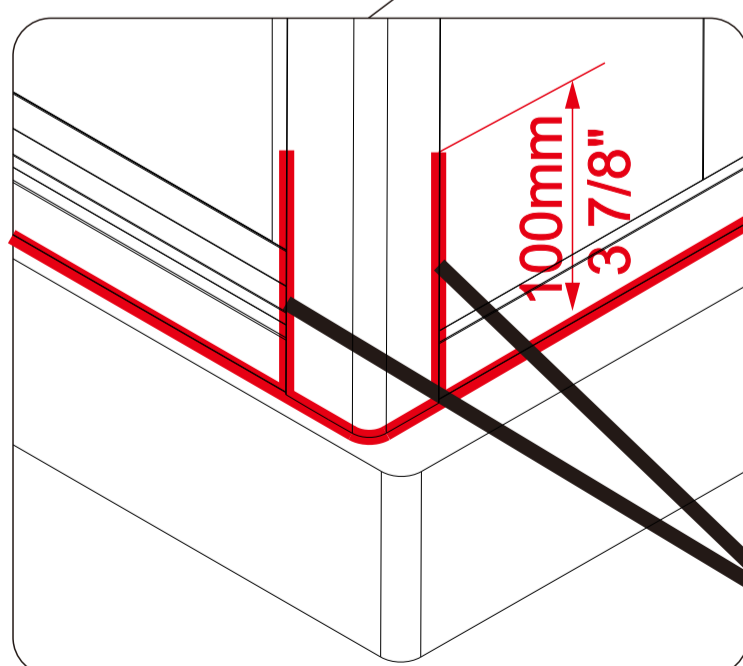
**!** Allow 24 hours for the silicone to cure before using the shower.

The gaps between the **Wall Jamb (A)** should be covered with glass glue

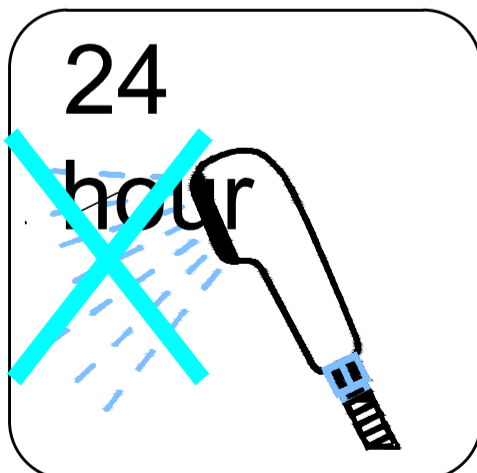
The gaps between the **Wall Jamb (O)** should be covered with glass glue



Apply silicone around the bottom rail.



The gaps between the **Corner Profile(G)** should be covered with glass glue



**!** Apply Silicone Sealant, (not supplied).