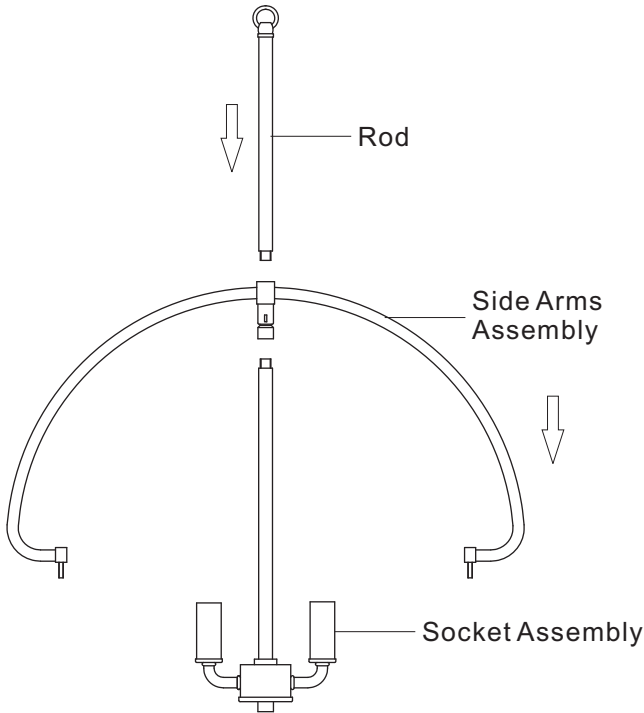


⚠ Warnings and Cautions

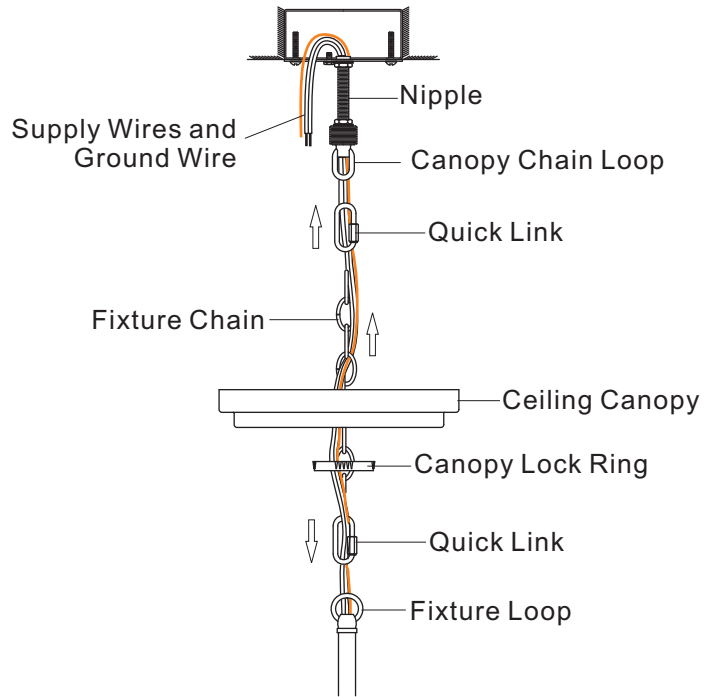
Turn off electricity at circuit breaker or main fuse box before installation. Consult a licensed electrician if in doubt.

These instructions are provided for your safety. It is very important you read them completely before installing the fixture. We strongly recommend that a licensed, professional electrician perform the installation.

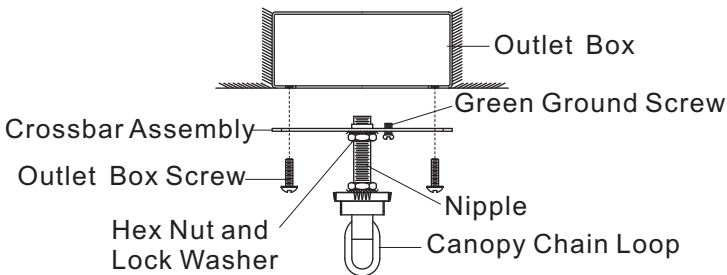
STEP 1 - Install Side Arms and Rod



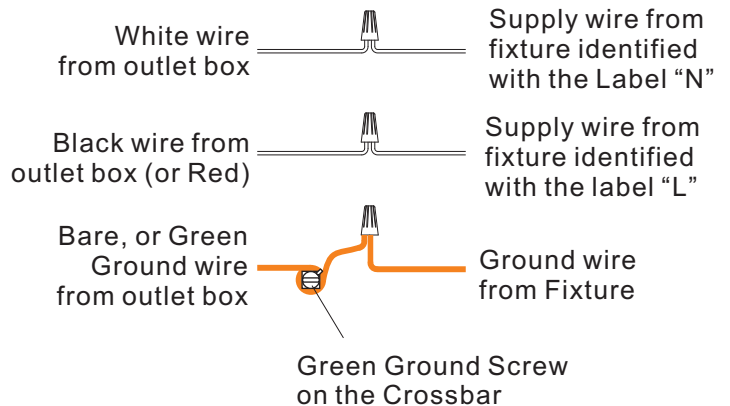
STEP 3 - Install Chain



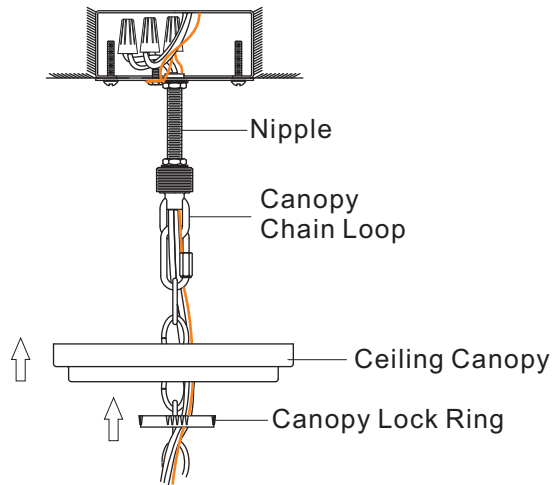
STEP 2 - Install Crossbar Assembly



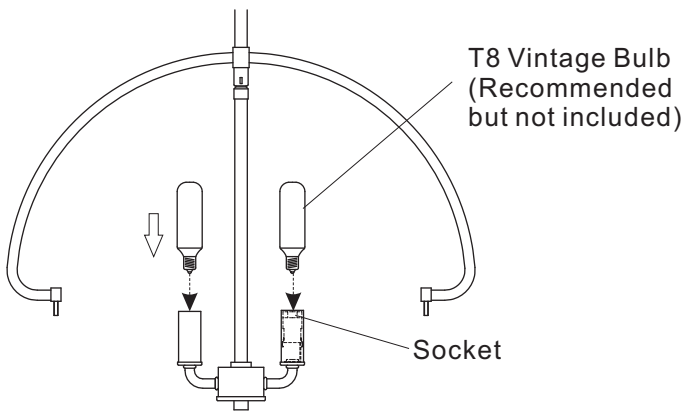
STEP 4 - Wiring



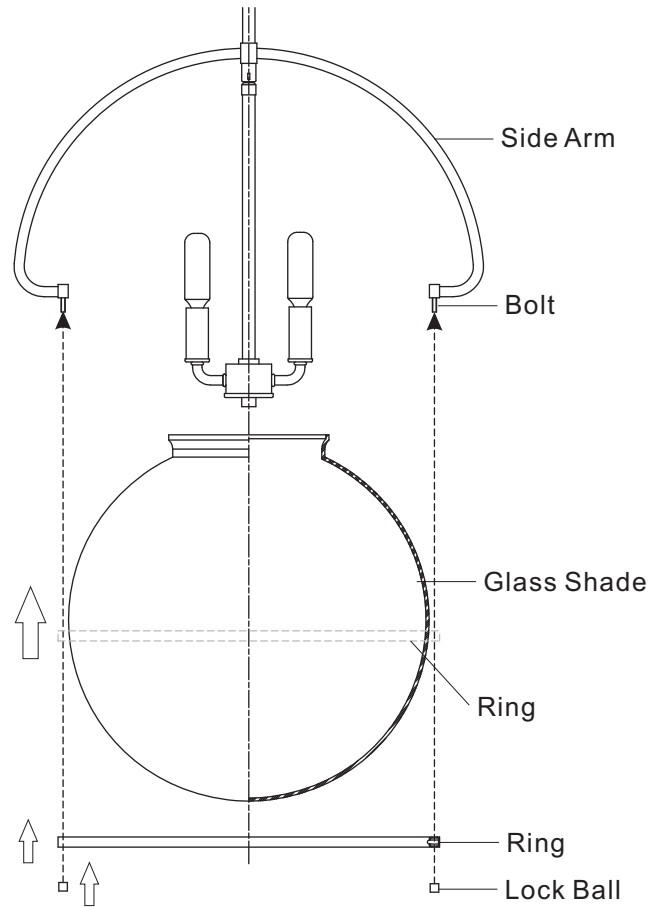
STEP 5 - Install Ceiling Canopy



STEP 6 - Install Bulbs



STEP 7 - Install Glass Shade



Warranty

This product is provided with a 1 year limited warranty that it will be free from defects in material and workmanship and subject to certain conditions and exclusions from the date of purchase.