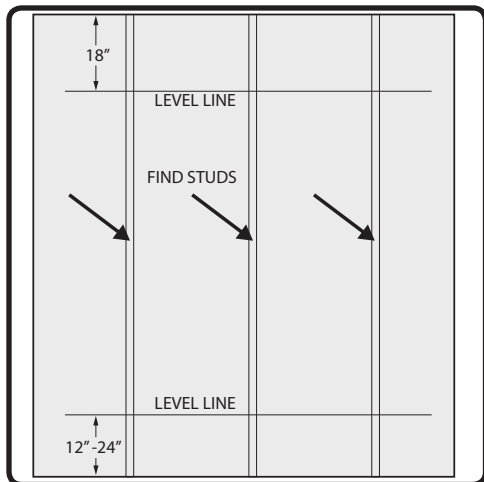


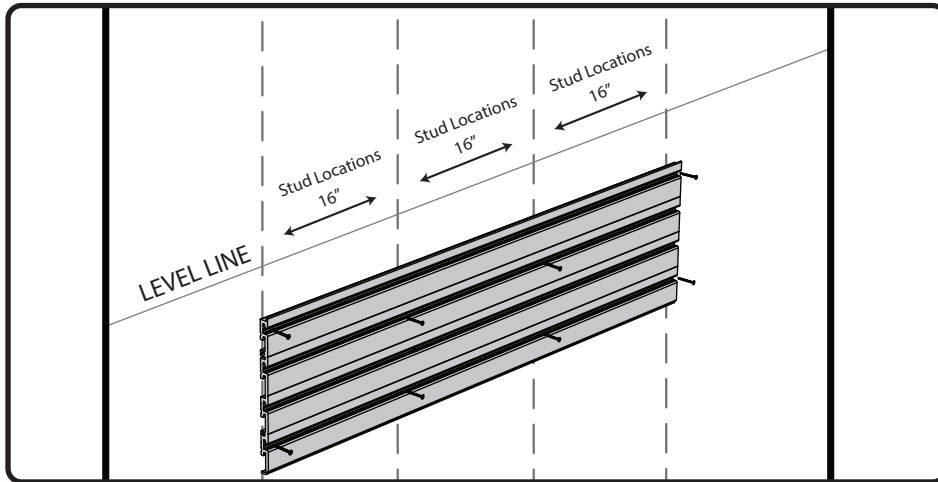
1. Locate Studs / Level Line

(recommended creating guide lines)



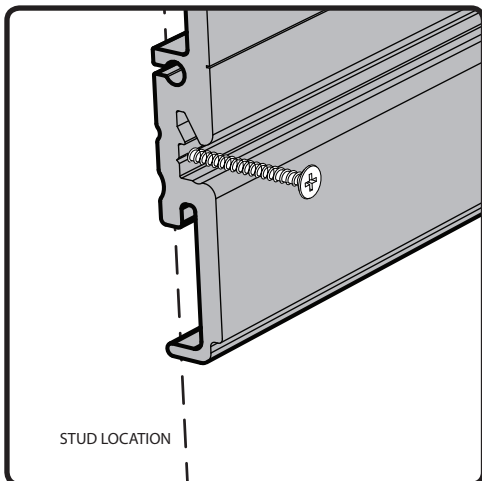
2. Align Board to Studs and Level Line

(recommended 8 screws per 4' panel)



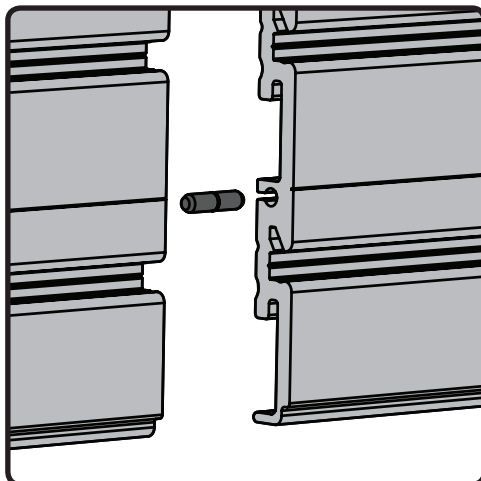
3. Mount Board to Studs

(recommended 12 - FLOW 2" Screws)



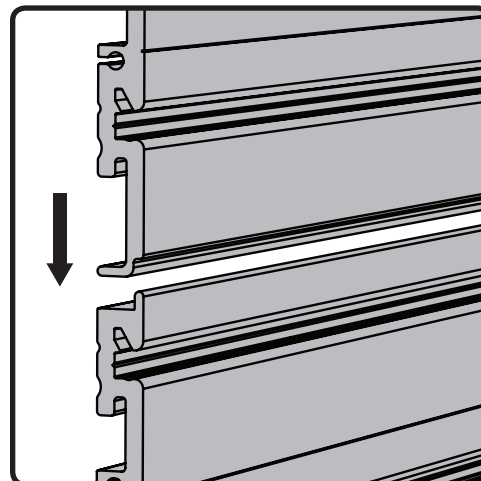
4. Horizontally Mounting

(use dowels to connect boards)



5. Vertical Mounting

(overlap boards)



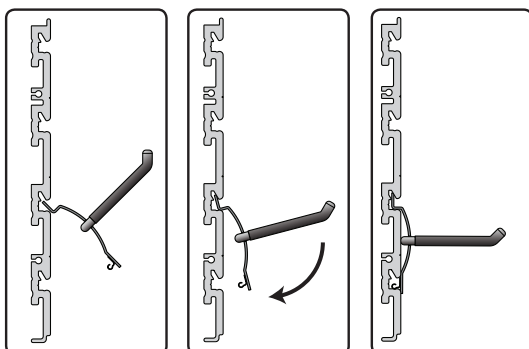
6. Attaching End Caps

(Left Edge start from bottom / Right Edge start from top)



Orientation Options

(Using 6 Boards)



visit: www.flowwall.com

Contact flowwall for additional help with your installation. You can also register your purchase so we can keep you updated with all of our new products and special offers.



Design
Living
Outdoor
Storage

1775 W 2300S
Salt Lake City, UT 84119
(877) FLOWWALL - (877) 356-9925
customerservice@flowwall.com