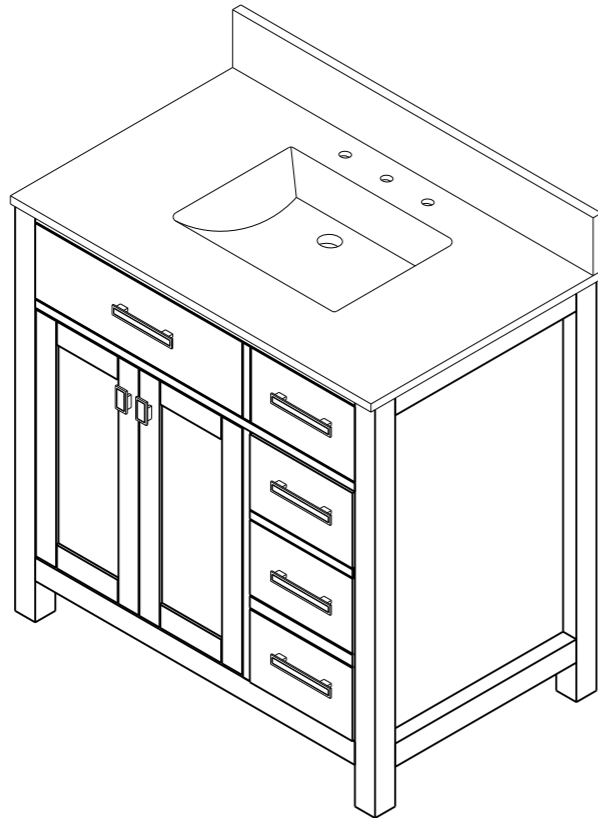


# BATHROOM VANITY COLLECTION

ONE EIGHT 36  
INSTALLATION MANUAL



## Installation Manual

1. Carefully read the instructions before starting the Installation.
2. This vanity should be installed by an experienced Plumber.
3. Drain pipe and drain trap are not supplied. Connect to an existing drain pipe.

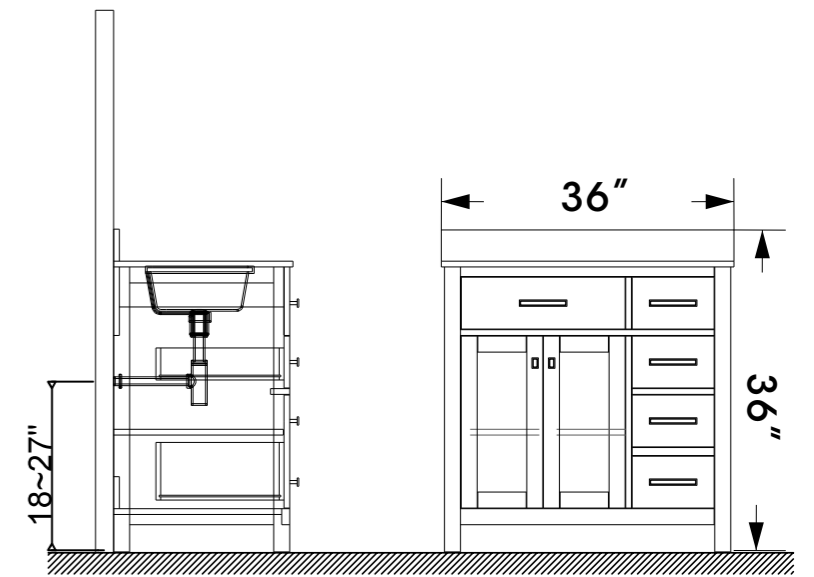
If you are missing any part, please stop and contact us immediately at: [service24houronline@gmail.com](mailto:service24houronline@gmail.com)

951-433-9027

408-728-6543

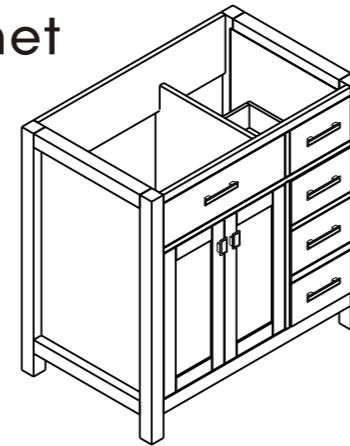
## PARTS LIST

Prior to installation, please check the items you have received against the packing list. Report any missing items to your local dealer immediately. Protect all surfaces from sharp objects, high heat sources, direct prolonged sunlight and chemical hazards.

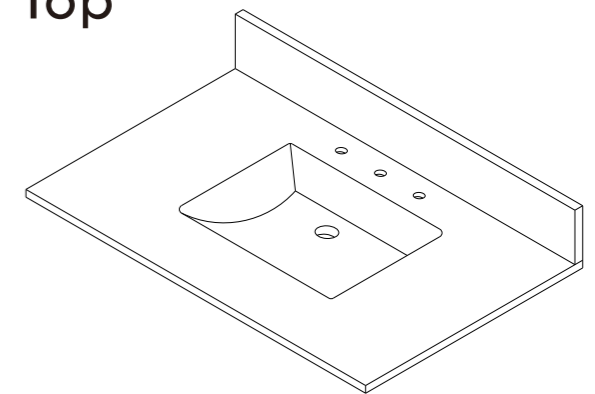


Professional installation is recommended.

## Cabinet



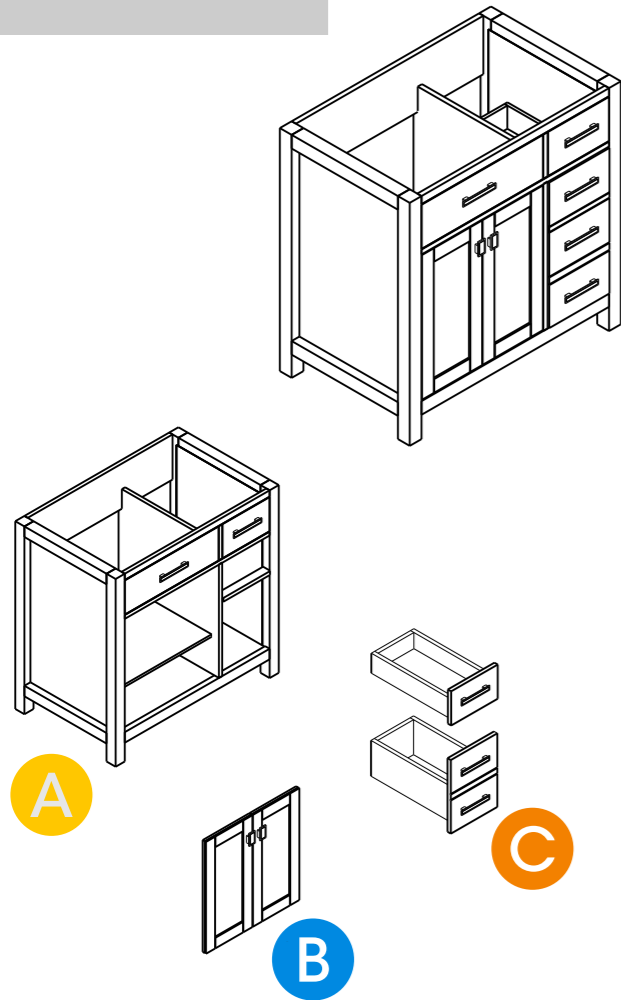
## Top



## REQUIRED TOOLS (not supplied)



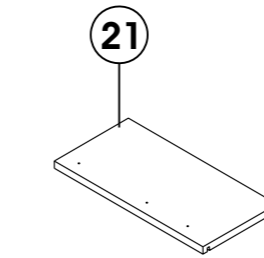
# Cabinet



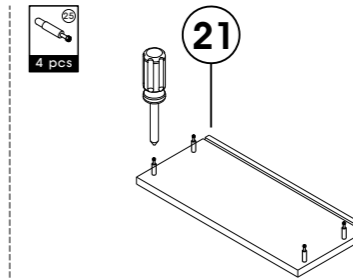
PART	NO.	Description	Quantity	Size	
A	Cabinet Frame	1	Right Side Board	1	35" * 21.6" * 21.6"
		2	Left Side Board	1	35" * 21.6" * 21.6"
		3	Bottom Board	1	31.2" * 20.6" * 21.6"
		4	Connect Board 1	1	25.2" * 21.6" * 0.7"
		5	Fixed Shelf	1	20.3" * 20.9" * 0.7"
		6	Back Board 1	1	31.2" * 8.4" * 0.7"
		7	Back Board 2	1	31.2" * 3.9" * 0.7"
		8	False Drawer	1	31.2" * 8.4" * 0.7"
		9	Connect Board 2	1	10.2" * 2.4" * 0.7"
B	Door	10	Door(left)	1	21" * 10" * 0.8"
		11	Door(right)	1	21" * 10" * 0.8"
C	Drawer	12	Drawer Front 1	1	10" * 6.4" * 0.7"
		13	Drawer Front 2	1	13.9" * 10" * 0.7"
		14	Right Side Board For Drawer	1	15.7" * 3.9" * 0.6"
		15	Left Side Board For Drawer	1	15.7" * 3.9" * 0.6"
		16	Back Board For Drawer	1	8" * 3.9" * 0.6"
		17	Front Board For Drawer	1	8" * 3.9" * 0.6"
		18	Bottom Board For Drawer	2	15" * 8.3" * 0.2"
		19	Right Side Board For Drawer	1	15.7" * 7" * 0.6"
		20	Left Side Board For Drawer	1	15.7" * 7" * 0.6"
		21	Back Board For Drawer	1	8" * 7" * 0.6"
		22	Front Board For Drawer	1	8" * 7" * 0.6"
D	Install Fittings	23	Drawer Glides	4	15.7" * 2" * 0.5"
		24	Hinge (door)	4	3.9" * 2.4" * 1.54"
		25	Three-in-one Connector	56	Ø0.57" * 0.46"
		26	Drawer Glide Screws	52	M4 * 14
		27	False Drawer Screws	8	M4 * 25
		28	Knob Screws	6	M4 * 22
		29	Handle Screws	2	M4 * 25
		30	Handle Screws	4	M4 * 38
		31	Wood Plug	24	Ø0.31" * 1.26"
		E	Handle & knob	32	Knob
33	Handle			5	5.2" * 1" * 0.8"

## INSTALLATION STEPS

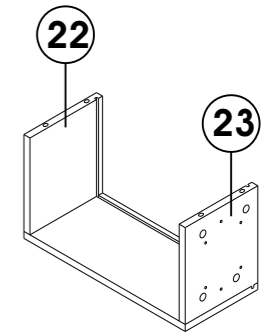
### STEP 1 | Drawer



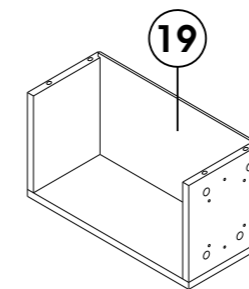
1-1



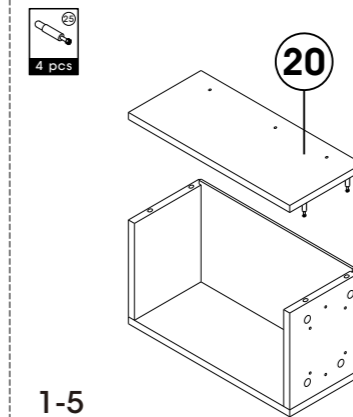
1-2



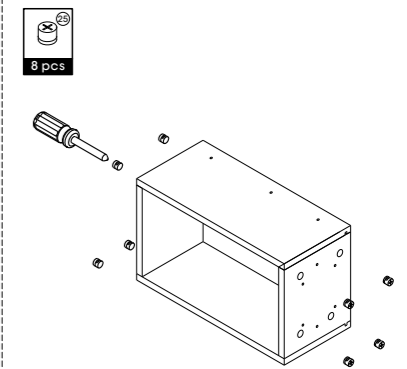
1-3



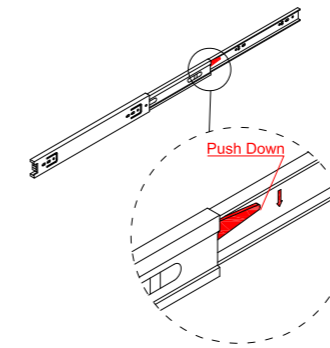
1-4



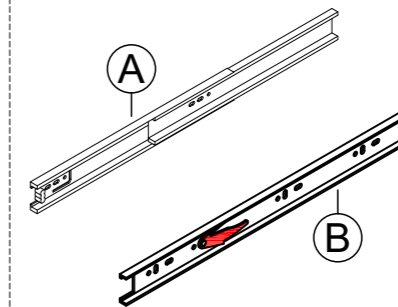
1-5



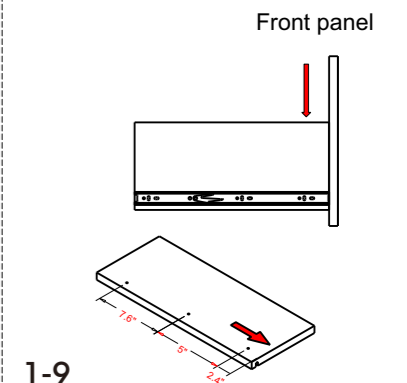
1-6



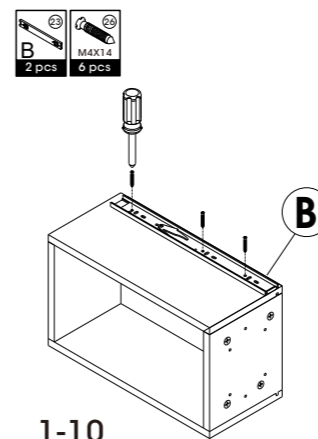
1-7



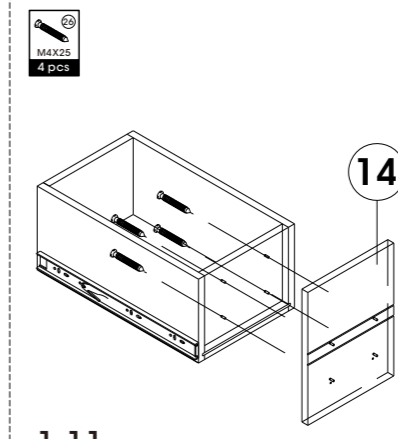
1-8



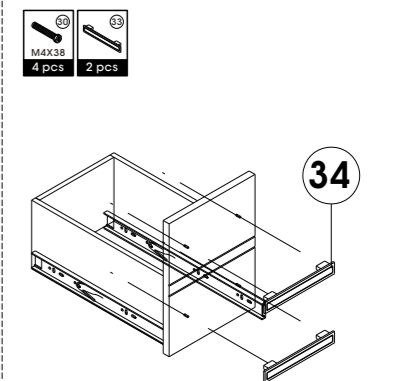
1-9



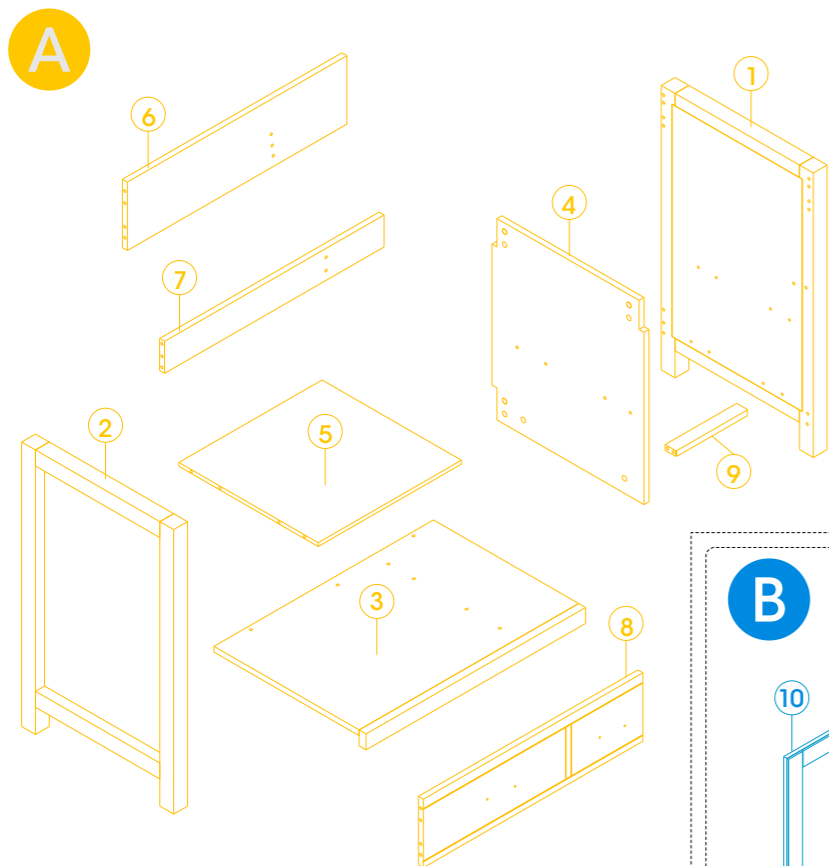
1-10



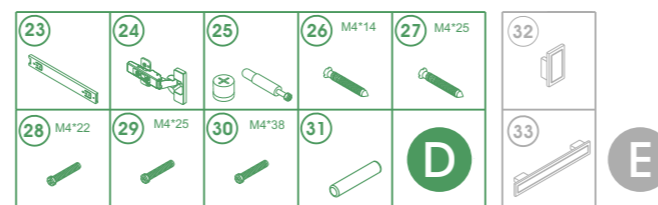
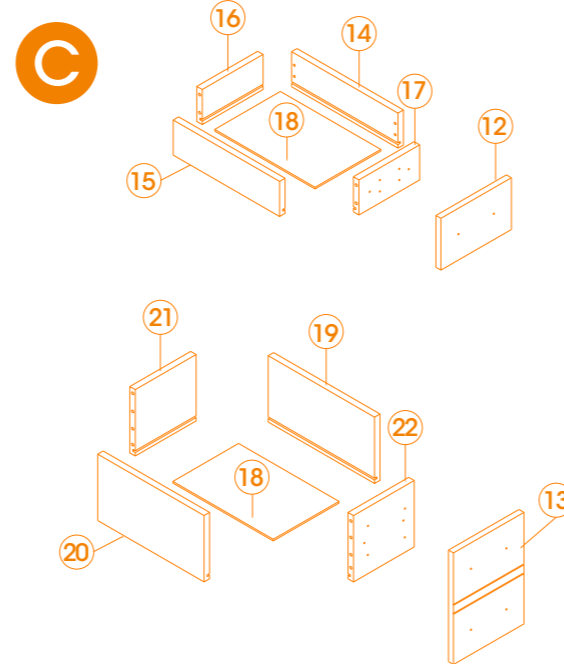
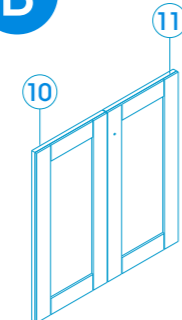
1-11



34



B

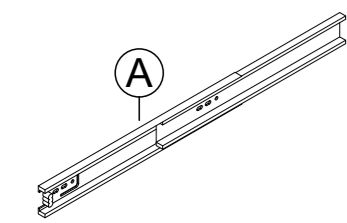


E

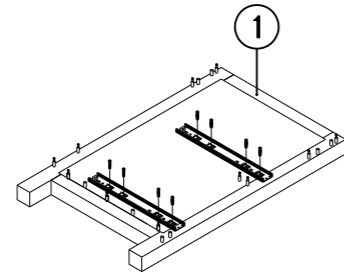
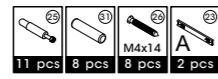
# INSTALLATION STEPS

## STEP 2 Cabinet frame

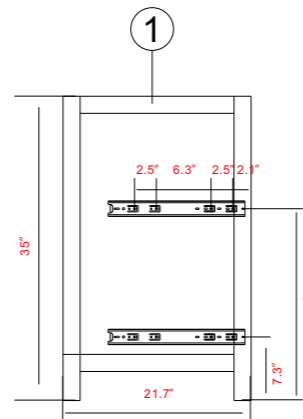
Connect Board1 1-7/1-8



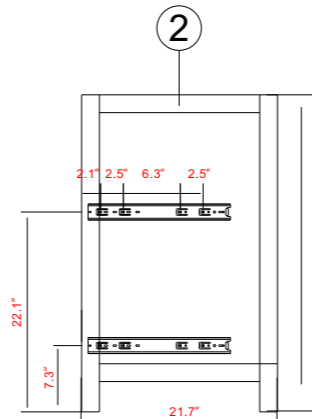
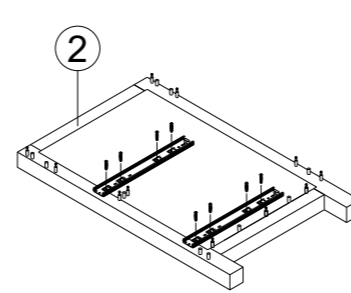
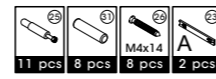
2-1



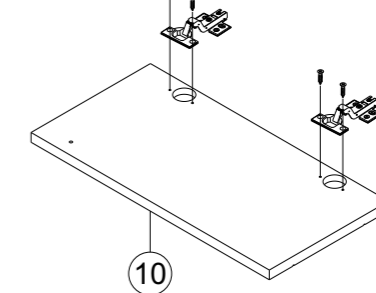
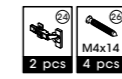
2-2



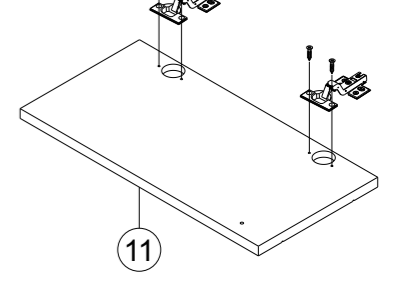
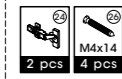
2-3



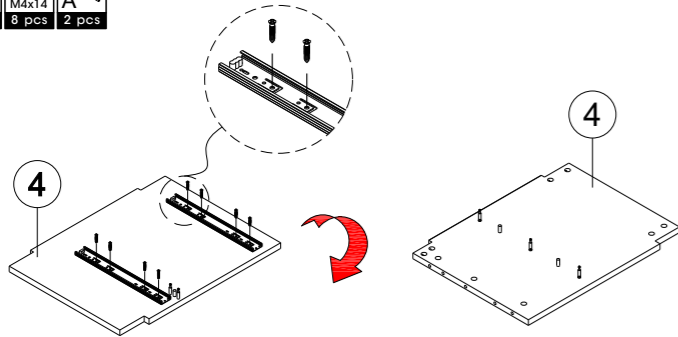
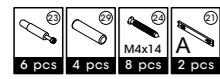
## STEP 3 Door



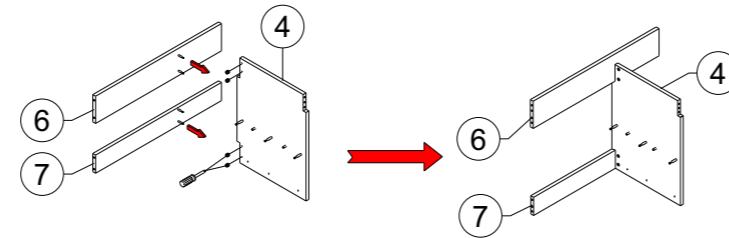
3-1



3-2

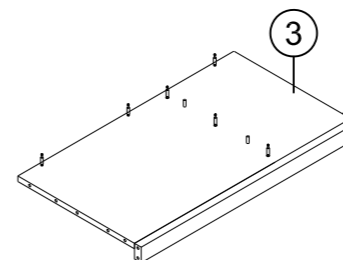
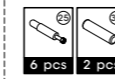


2-6

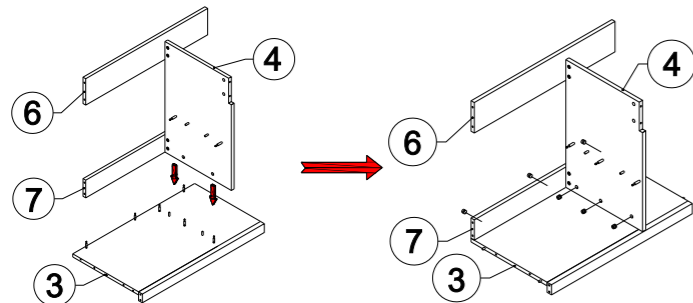


2-7

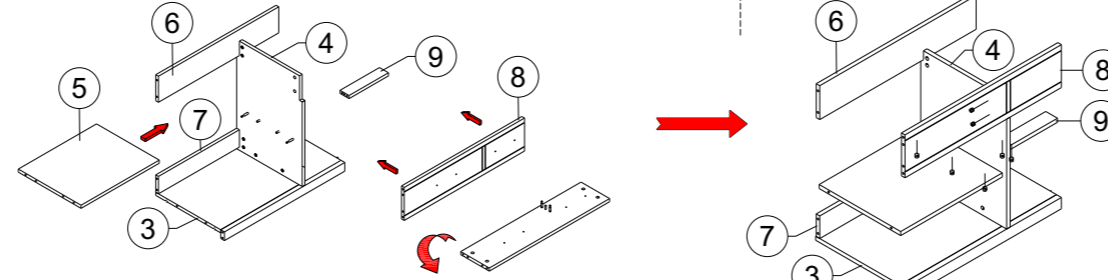
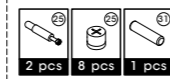
Connect Board1 /2 /3



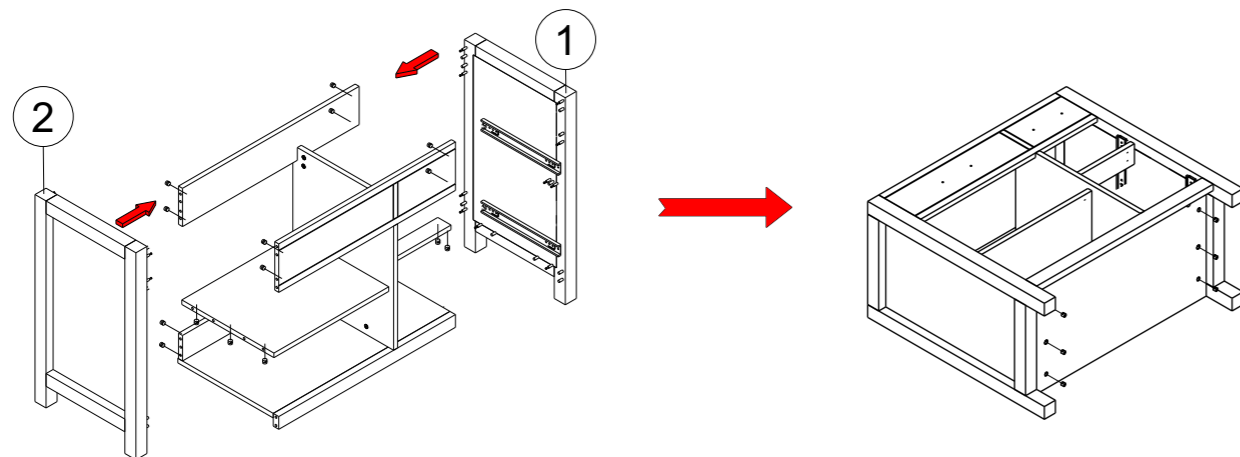
2-8



2-9

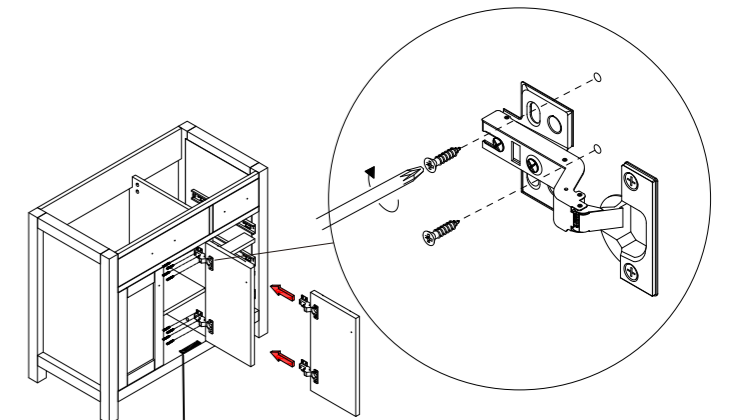


2-10



2-11

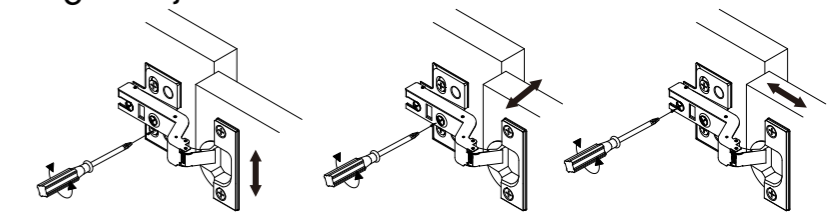
Connect Board1 Left side



3-3

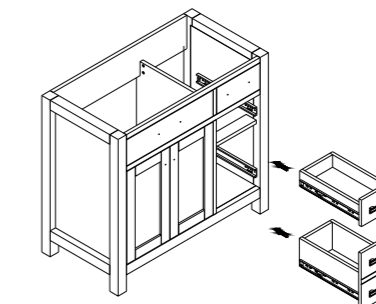
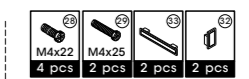
Pad height 0.08 inches

Hinges adjustment

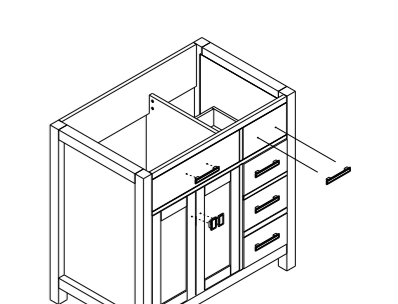


3-4

## STEP 4 Drawer and Finish

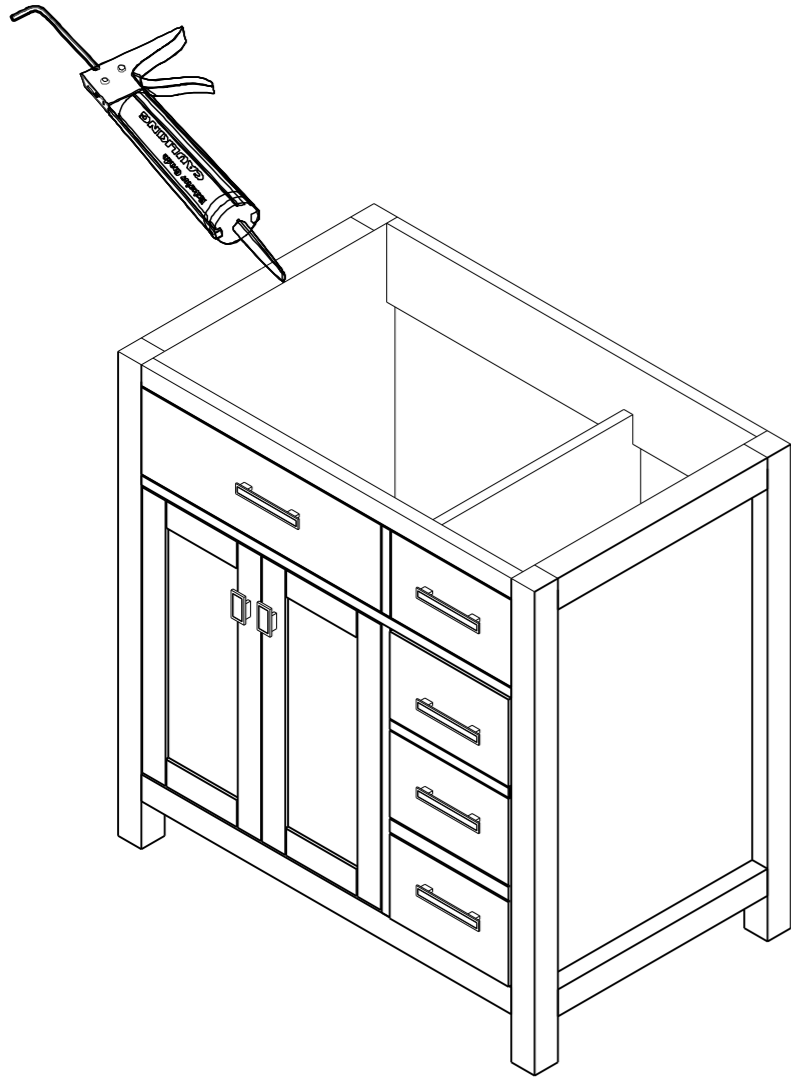


4-1



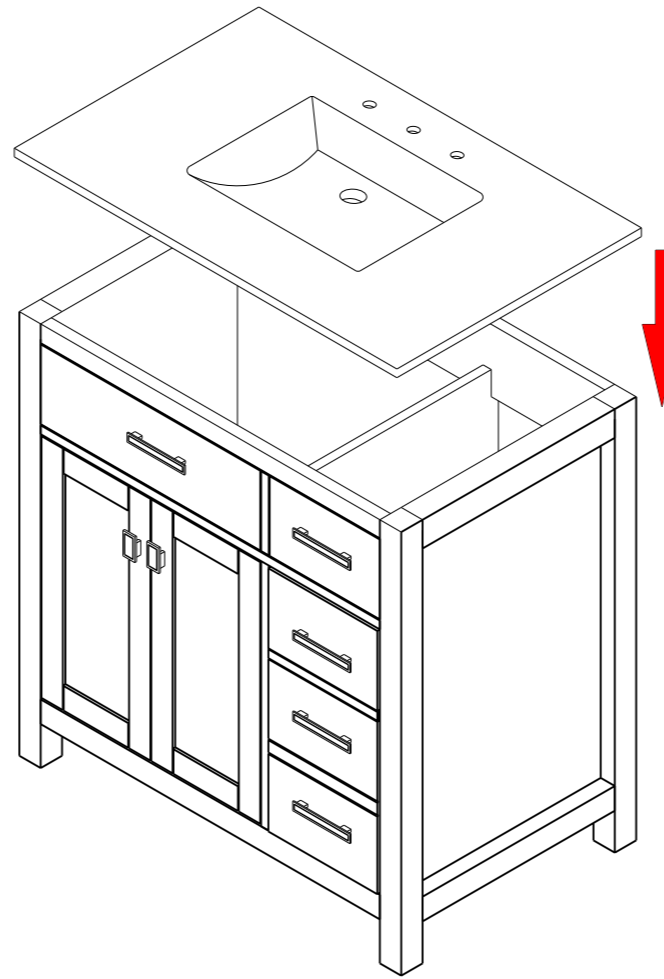
4-2

# Top installation



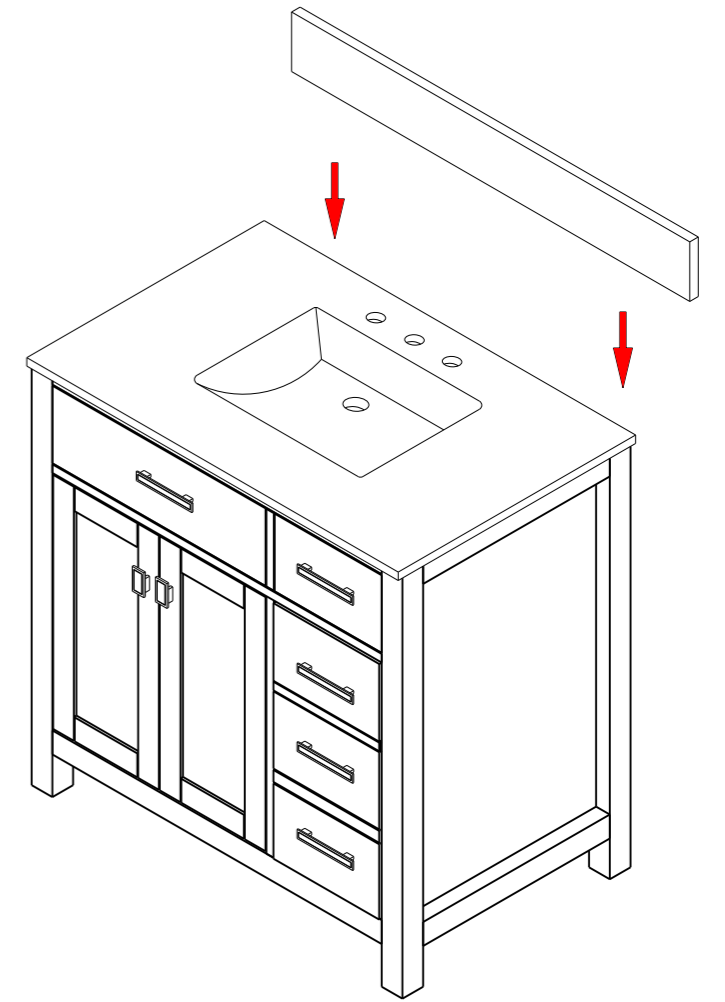
Apply adhesive around the top edges of the cabinet

STEP 1



Carefully place the top over the cabinet

STEP 2



Align and center

STEP 3