

# ASSEMBLY INSTRUCTION

## PUB TABLE




### IMPORTANT SAFETY CONSTRUCTION

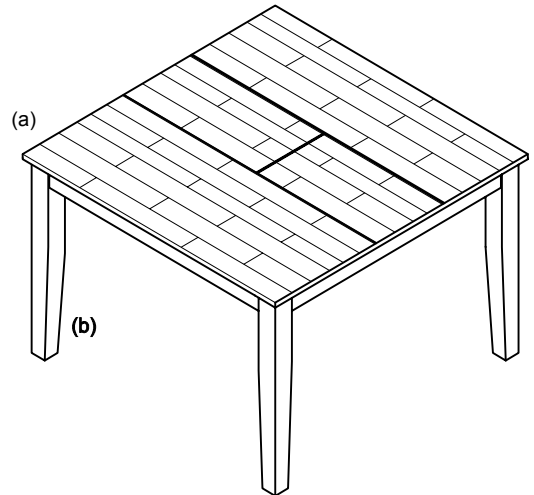
Thank you for purchasing this quality product. Be sure to check all packing material carefully for small parts that may have come loose inside the carton during shipment. Please read all instruction carefully before assembling. For your safety, assembly by two people is recommended.

### PARTS INCLUDED:

- (1) Table Top (a)
- (4) Table Leg (b)

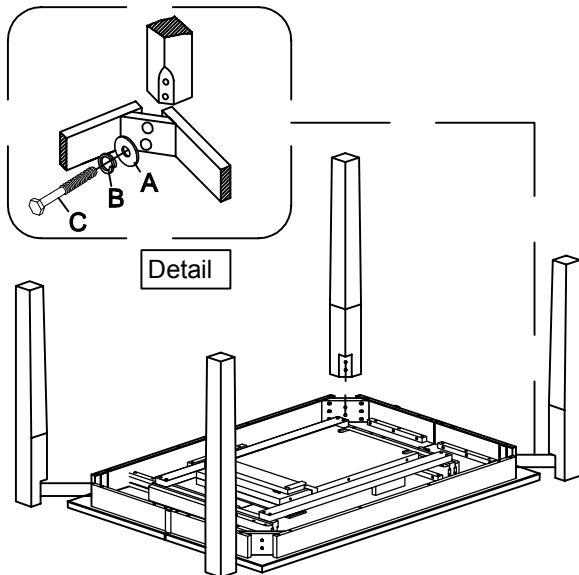
### HARDWARE ENCLOSED:

- A 8x  Ø10 x 19mm
- B 8x  Ø10 x 13mm
- C 8x  Ø10 x 60mm
- D 1x 



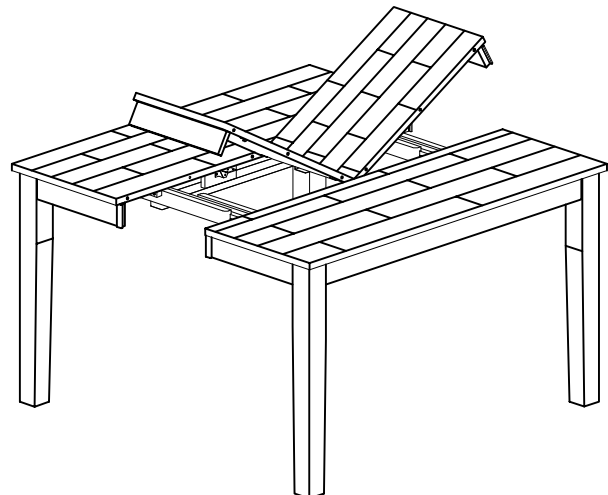
### ASSEMBLY INSTRUCTIONS

- Carefully lay Table Top upside down on a smooth flat surface to prevent scratches.
- Affix each Leg to each corner of the Table Top as shown in illustration.
- Insert a Bolt (C) with Flat washer (A), Lock washer (B) through holes in wood angle corner
- Once all Legs are in place, fully tighten Bolt by turning clockwise using Key Wrench until secure. (See Detail)



### Self Storing Leaf

Fully extend both sides of the table and carefully swing over folded butterfly leaf unfold to lay flat, full extended, in line with table top. Unfold leaf aprons and carefully close table top with leaf in place. secure leaf with extension locks on the underside of table. Reverse procedure for storage.



### NOTES:

The use of power tools for assembly is not recommended. Power tools can damage hardware or split wood.