

# artos<sup>®</sup>

## FS500V

trova floor mount tub filler  
valve only

## INSTALLATION GUIDE



# artos<sup>®</sup>

## FS500V

trova floor mount tub filler  
valve only

### OPERATING SPECIFICATIONS



#### OPERATING PRESSURE

Minimum: 15 psi

Maximum: 75 psi

Above 90psi it may be necessary to install a pressure  
reducer

#### OPERATING TEMPERATURE

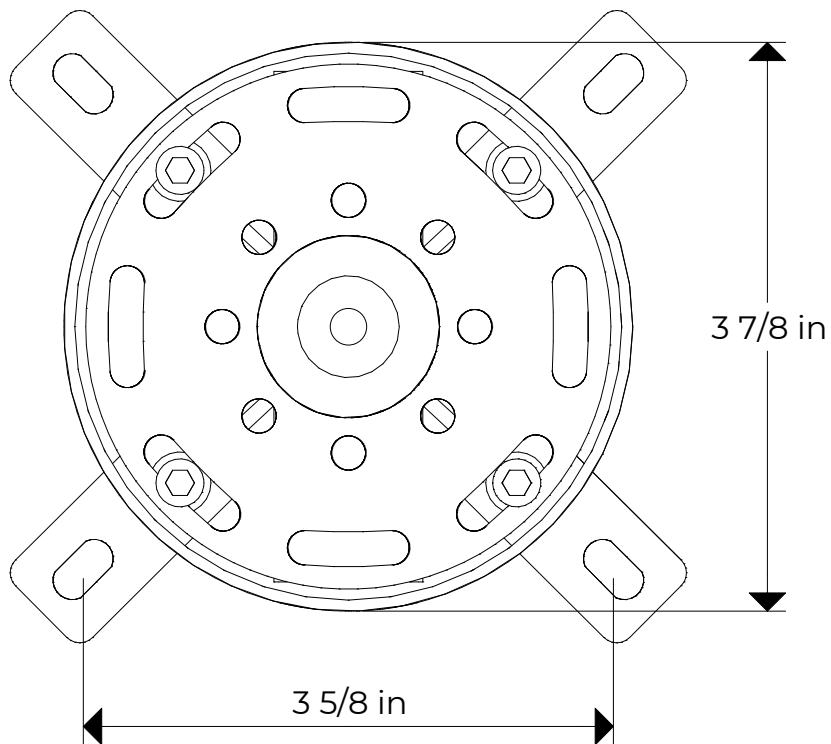
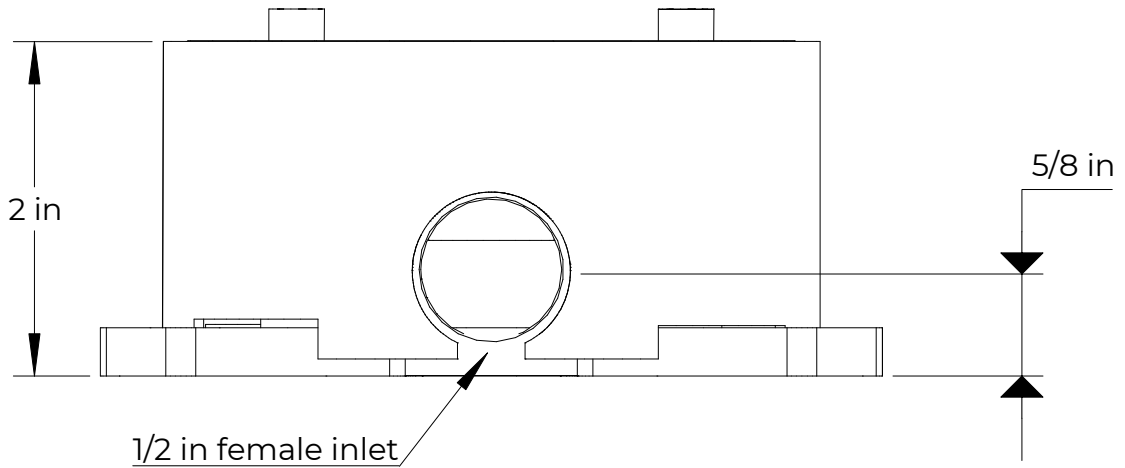
Maximum: 176°

# artos<sup>®</sup>

## FS500V

trova floor mount tub filler  
valve only

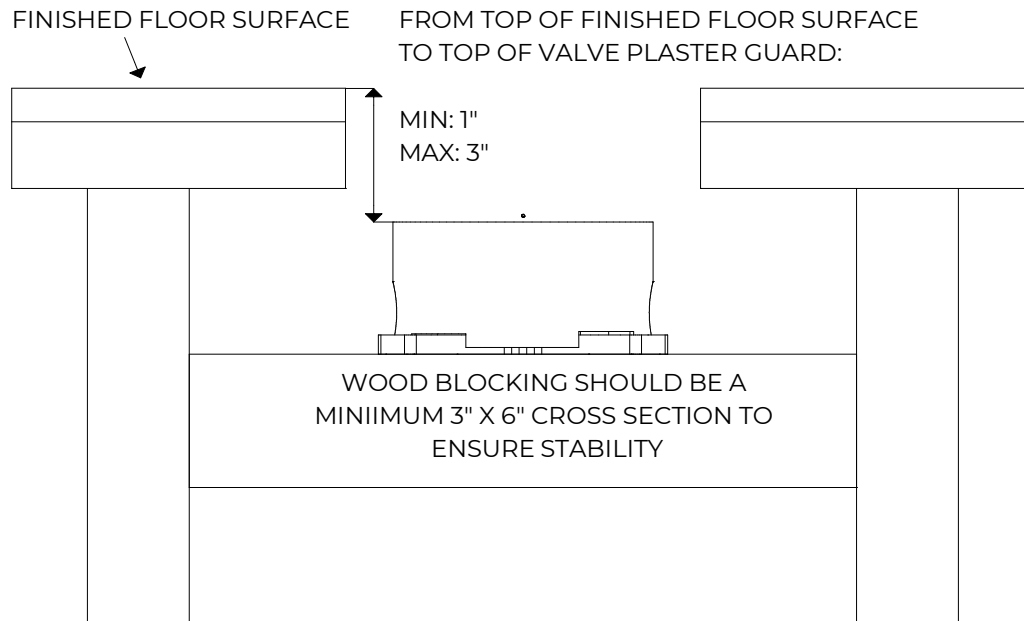
### PRODUCT DIMENSIONS



## FS500V

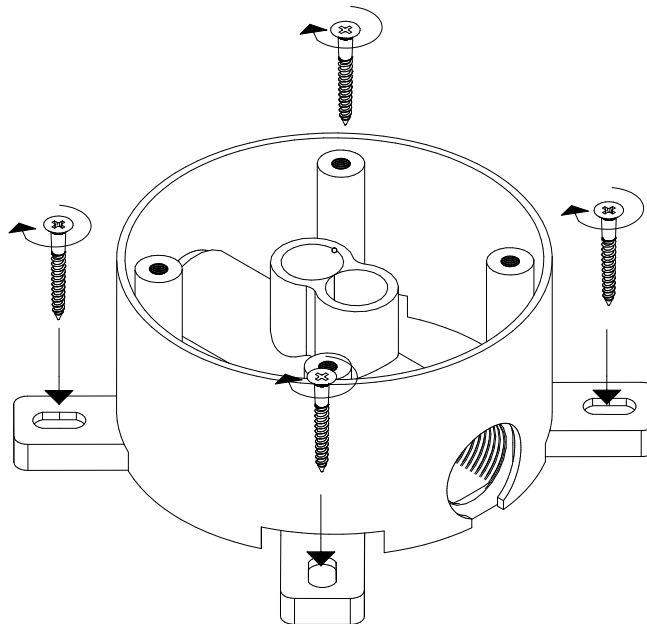
trova floor mount tub filler  
valve only

### STEP 1



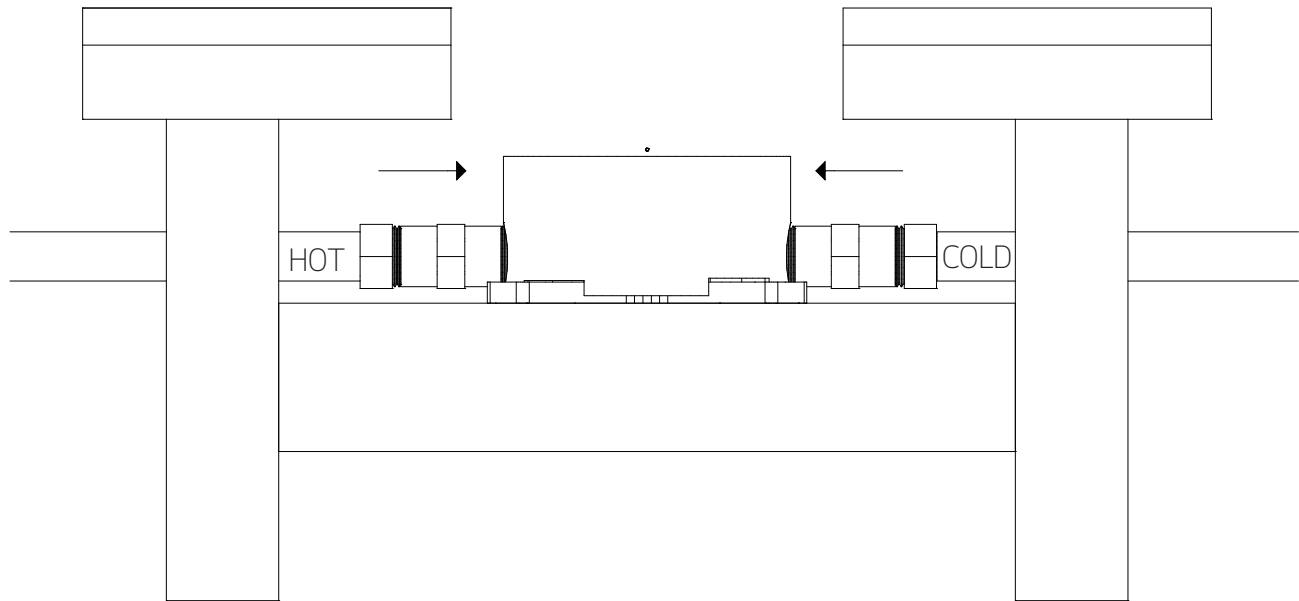
### STEP 2

SECURE THE ROUGH-IN TO THE SUB-FLOOR ENSURING THAT IT IS COMPLETELY LEVEL



## INSTALLATION STEPS

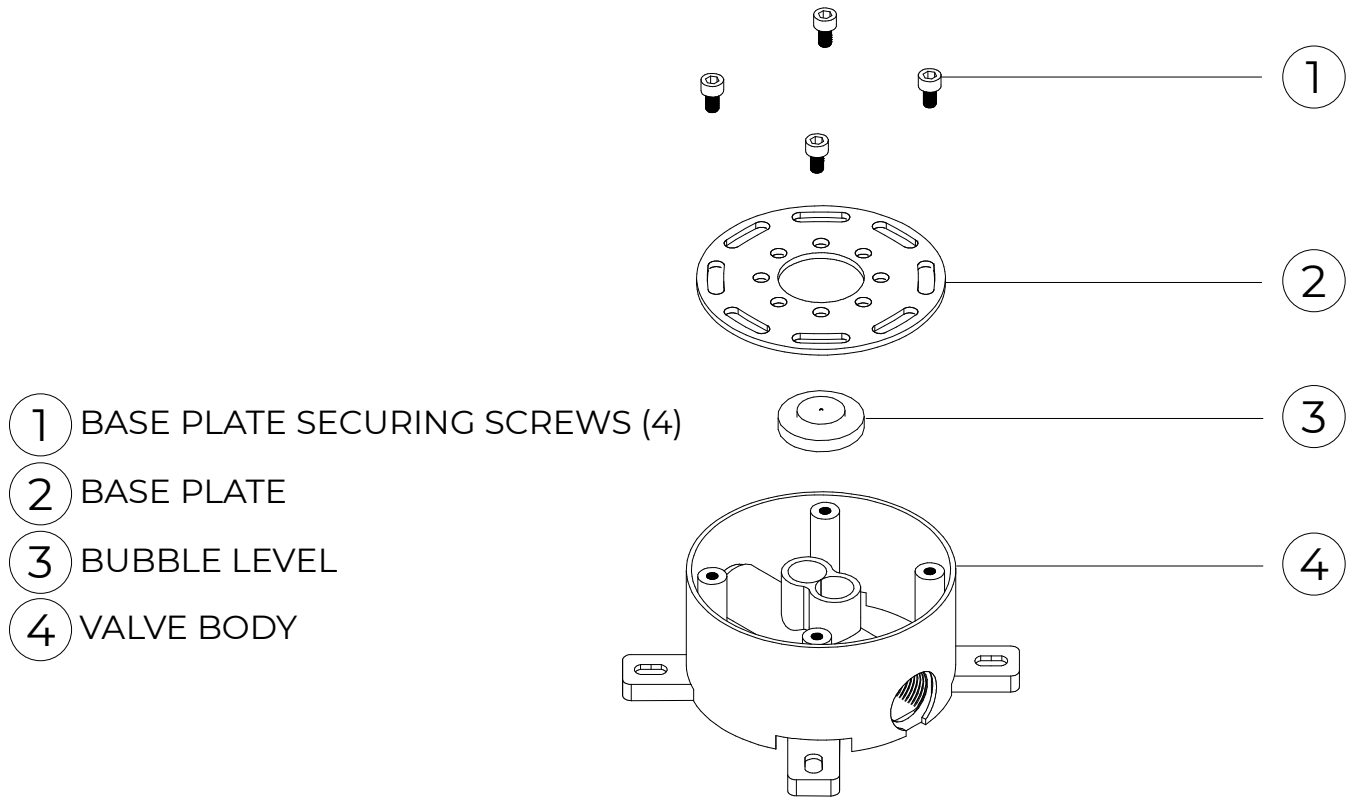
**STEP 3** ENSURE THAT THE HOT AND COLD SUPPLY LINES ARE CONNECTED TO THE CORRECT INLETS. 1/2" MALE-TO-MALE EXTENSIONS ARE PROVIDED FOR EASIER INSTALL IF NECESSARY.



**STEP 4** REMOVE BASE PLATE USING ALLEN WRENCH PROVIDED



1. FLUSH TO CLEAR DEBRIS.
2. CHECK CONNECTIONS FOR WATER TIGHTNESS.



- 1 BASE PLATE SECURING SCREWS (4)
- 2 BASE PLATE
- 3 BUBBLE LEVEL
- 4 VALVE BODY