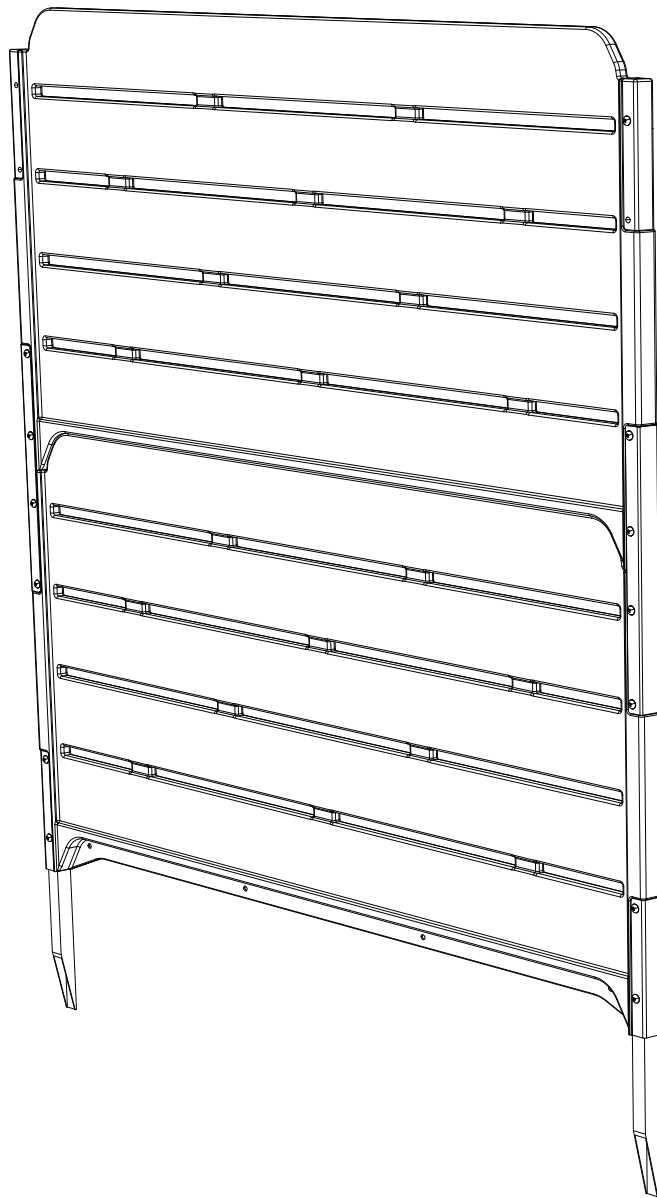


# Large fence Installation instructions



---

## Installation tool (Installation tools are not included in the package)



Electric drill



Rubber hammer  
Wooden hammer



screwdriver

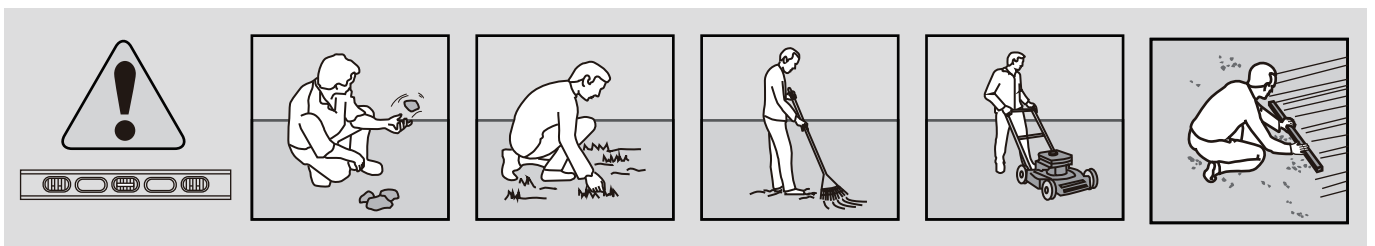
---

## Matters needing attention

1. Before installation, check the parts according to the parts list to ensure that the parts are not damaged, if you find anything wrong please contact us.
2. Install all accessories according to the installation instructions.
3. Take out the accessories and install them on a horizontal floor.
4. The company does not bear the loss due to the damage of the parts caused by the incorrect installation method, and the customer shall bear the loss.

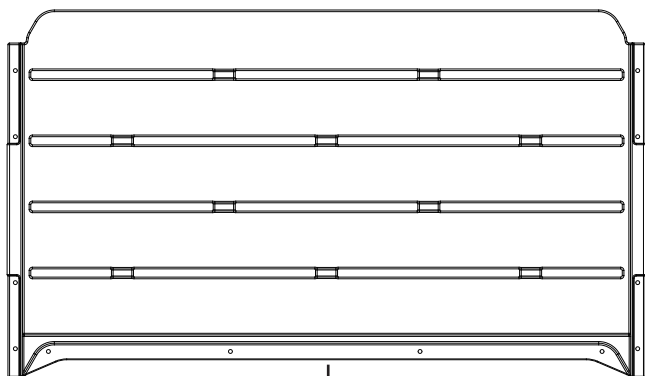
---

## Horizontal floor

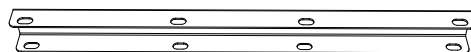


For better installation, please tidy the ground before installation and keep the ground level.

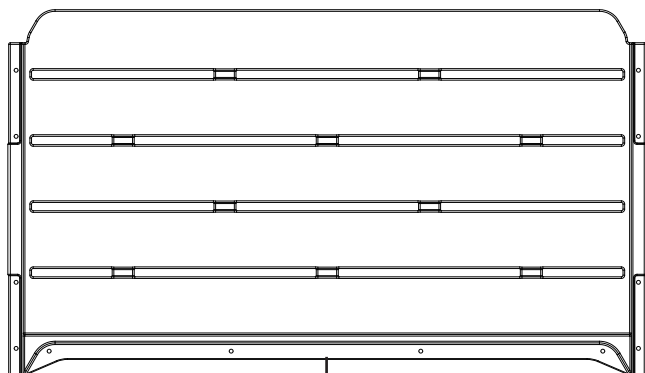
# Parts List



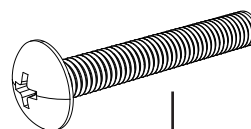
**A**  
Down fence  
1pc



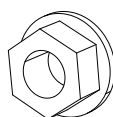
**D**  
Fence connector  
2pcs



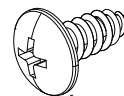
**B**  
Top fence  
1pc



**S1**  
Cross large flat head bolt  
16pcs (spare 2pcs)

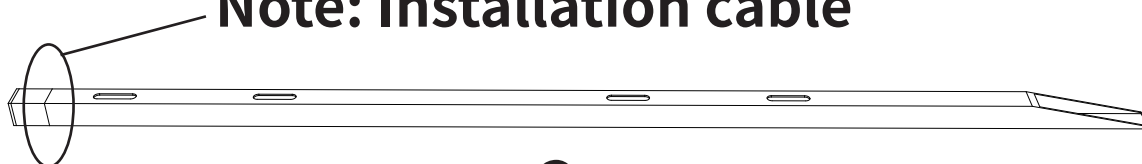


**N**  
nut  
16pcs (spare 2pcs)



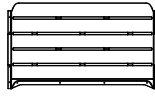
**S2**  
Cross large flat head  
self-tapping  
5pcs (spare 1pc)

## Note: Installation cable



**C**  
Ground insert  
2pcs

# 1 Mounting Ground insert



A  
Down fence  
×1pc

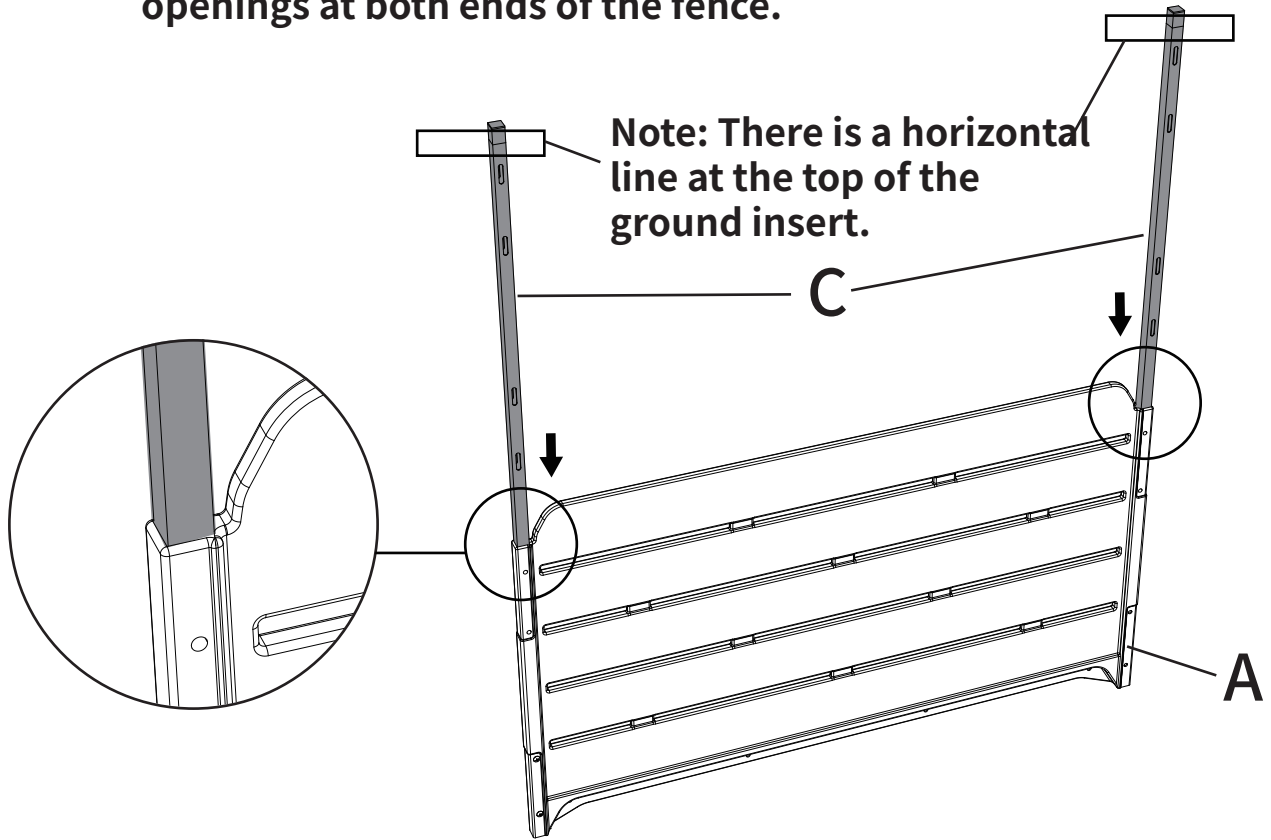


C  
Ground insert  
×2pcs



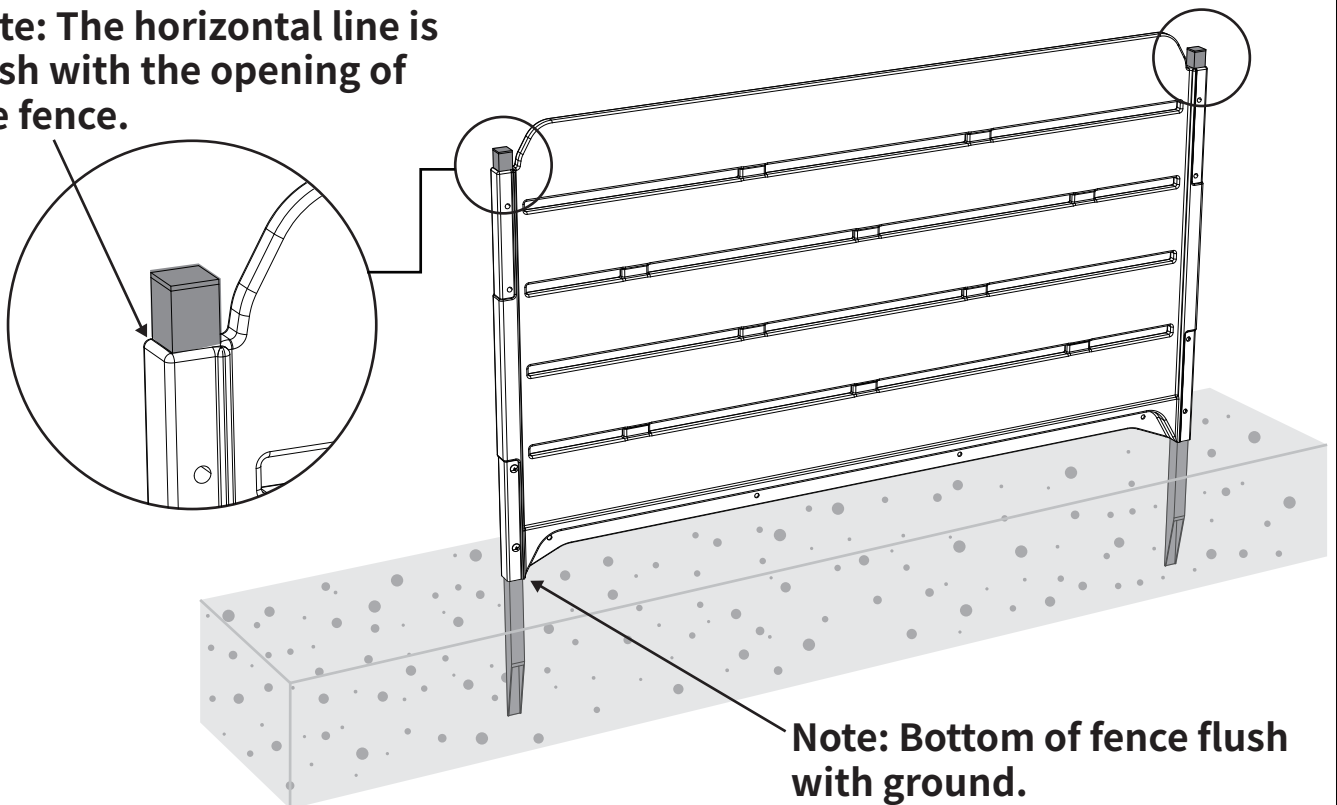
Rubber hammer  
Wooden hammer

1 The ground insert is inserted from the top down through the openings at both ends of the fence.



2 Hammer the ground insert into the ground

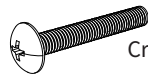
Note: The horizontal line is flush with the opening of the fence.



Note: Bottom of fence flush with ground.

**2**

**Down fence screws secure**



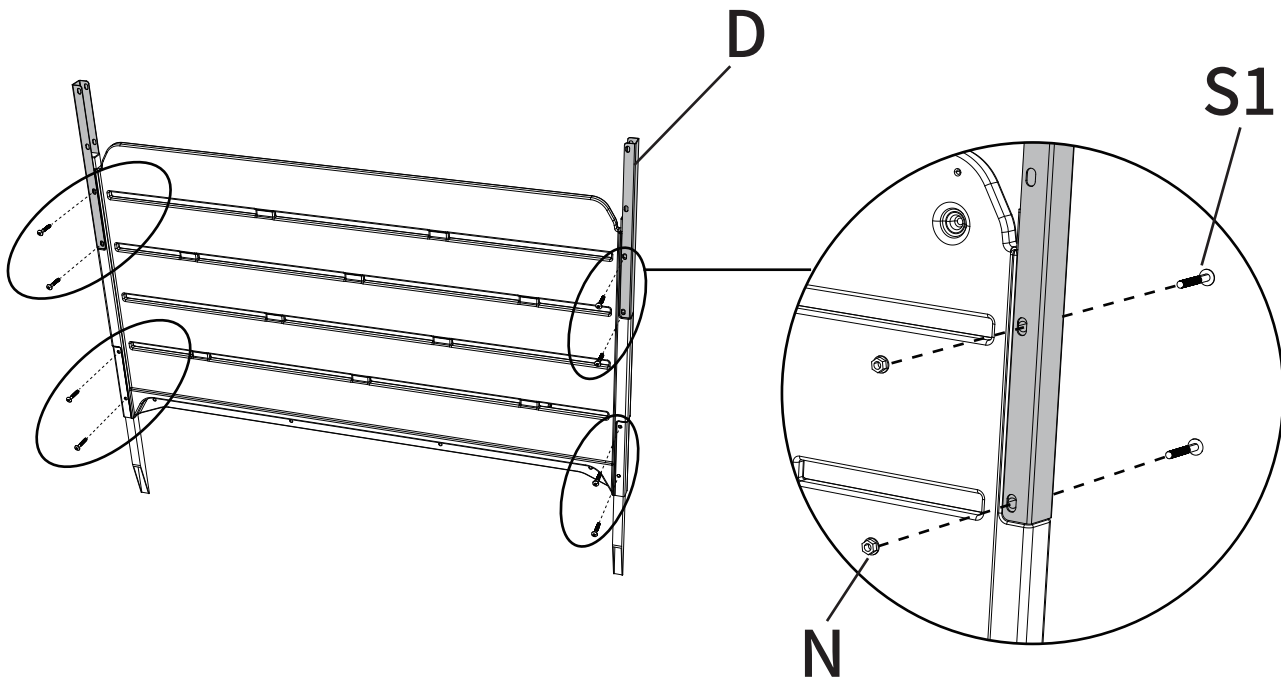
**S1**  
Cross large flat head bolt  
×8pcs



**N**  
Nut  
×8pcs



**D**  
Fence connector  
2pcs

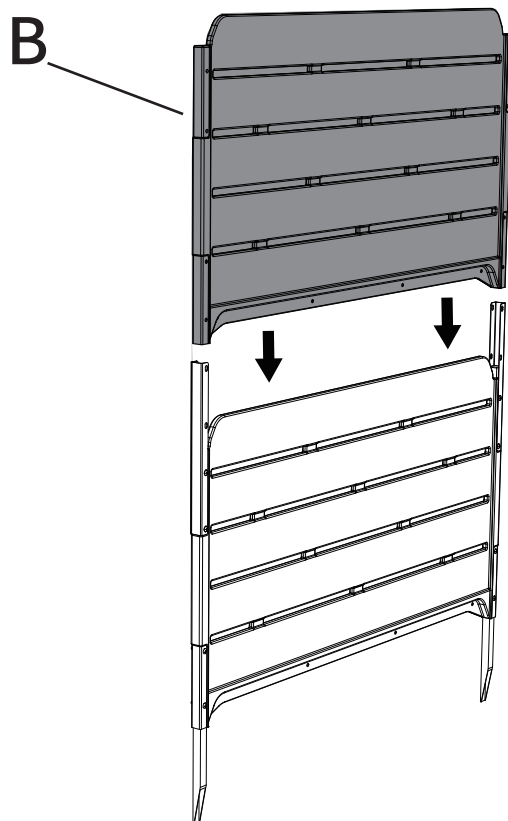


**3**

**Top fence installation**

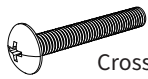


**B**  
Top fence  
×1pc



**4**

**Fence screw fastening**



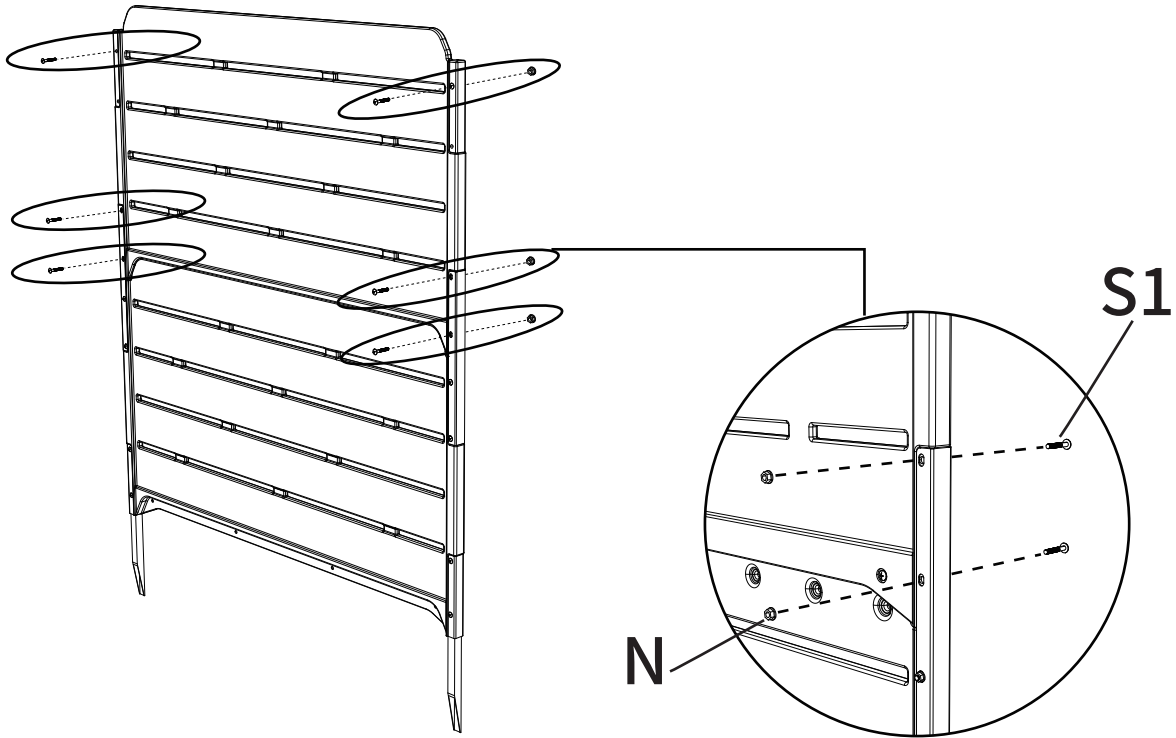
**S1**

Cross large flat head bolt  
×6pcs



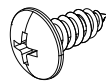
**N**

Nut  
×6pcs



**5**

**Fence screw fastening**



**S2**

Cross large flat head  
self-tapping  
×4pcs

