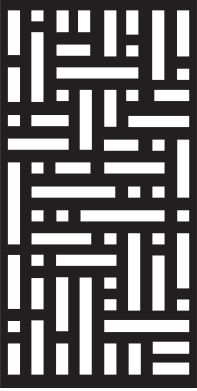

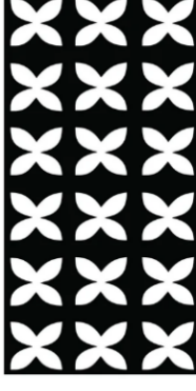
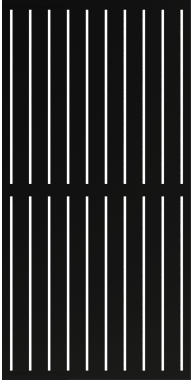


INSTRUCTION

Design

We have various choices of pattern for you:

							
Block01	83% privacy	Flowleaf01	65% privacy	Clovs01	60% privacy	Louvered	86% privacy

Keep updating...



Please read this manual carefully before the assembly



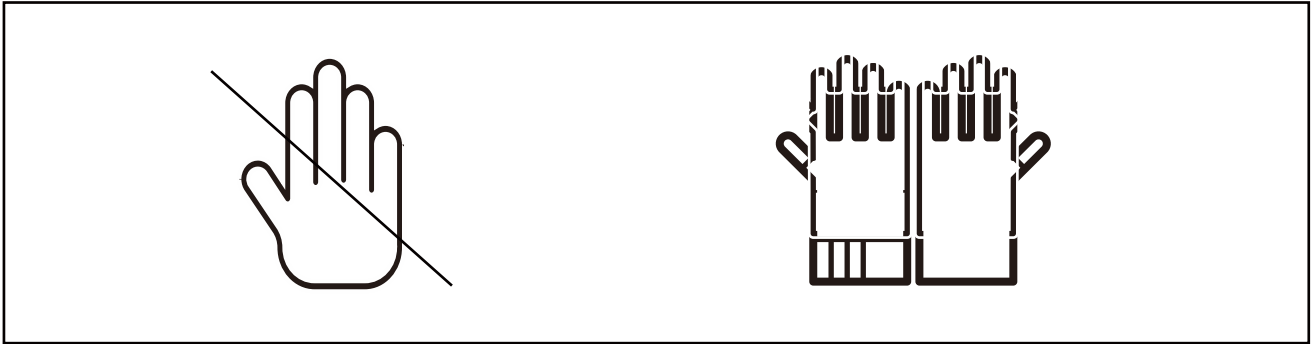
It's recommended to wear gloves whilst assembling to avoid the accidental harm



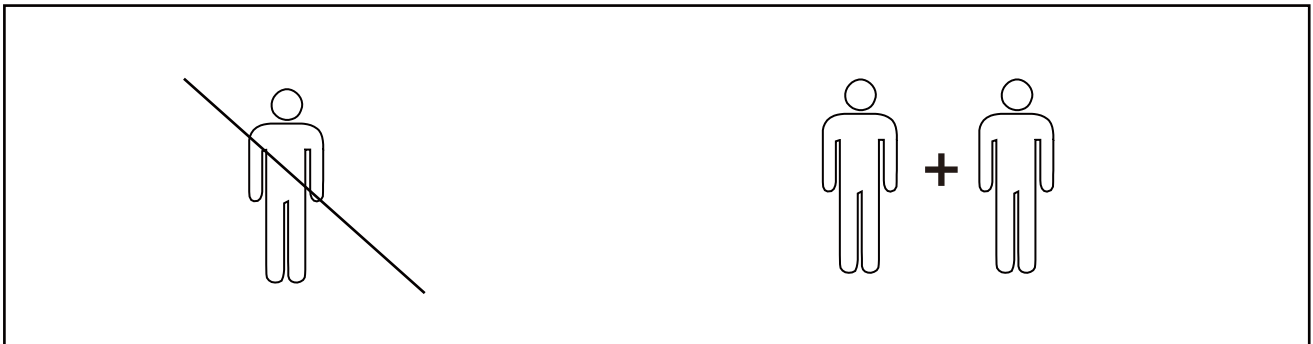
If the privacy screen will be used in a strong wind area, we highly recommend you using four Hex-Head Sleeve Anchors to fix the privacy screen on solid ground.

Before assembling, we recommend:


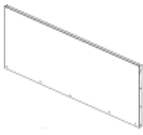
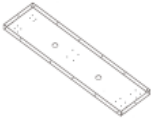









1. Wear Gloves.

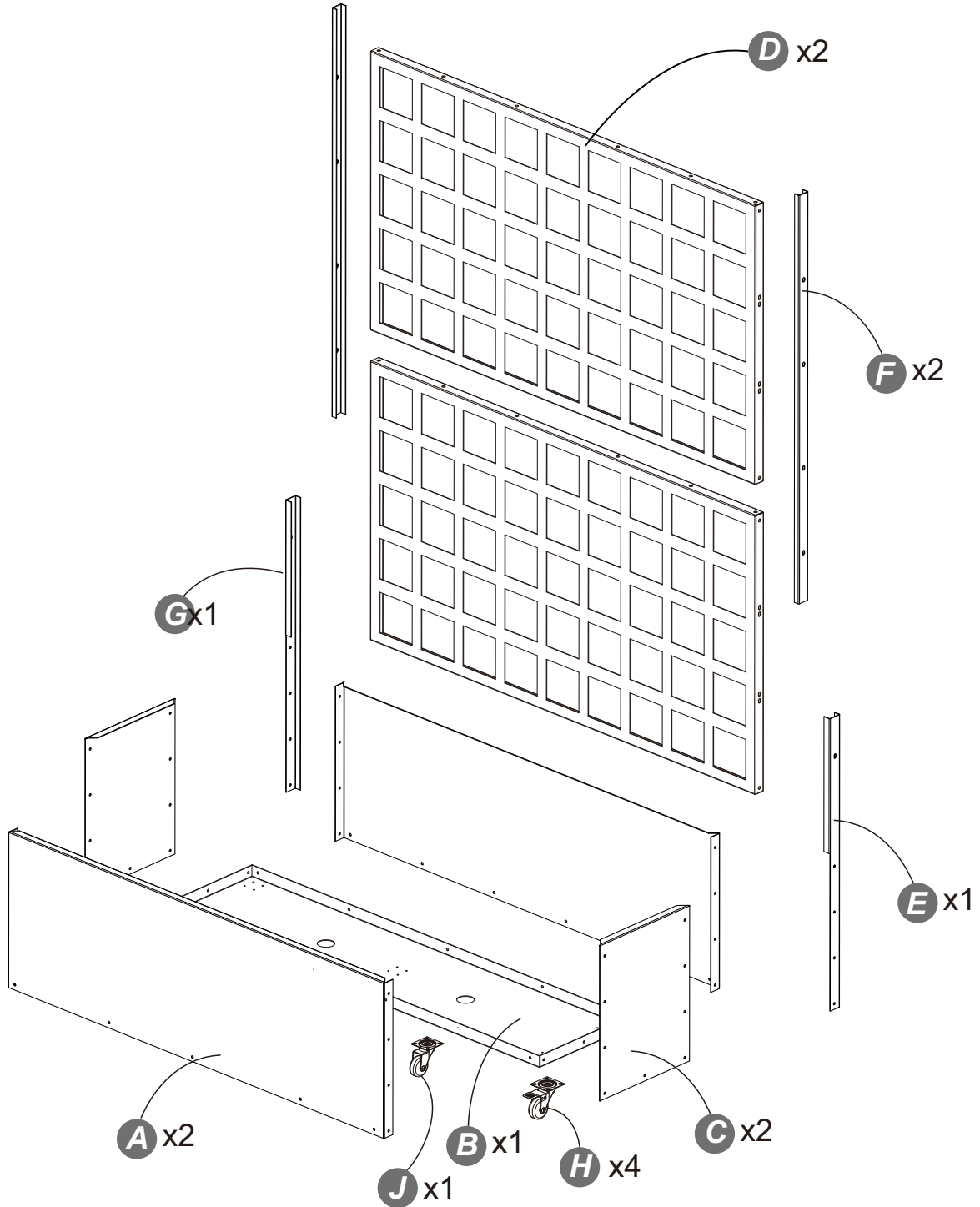


2. Ask for a Helping Hand.



PART LIST

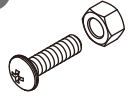
									 M6*12mm	 M6*10mm	
DX4	AX4	BX2	CX4	EX2	GX2	FX4	JX2	HX8 (with lock)	2bag x50pc	2bag x20pc	Tools



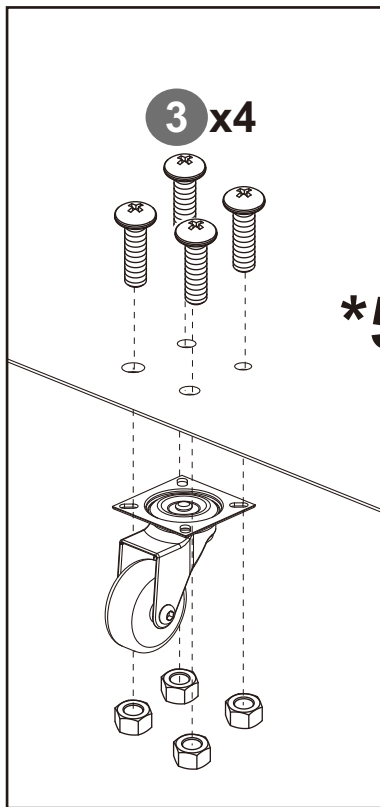
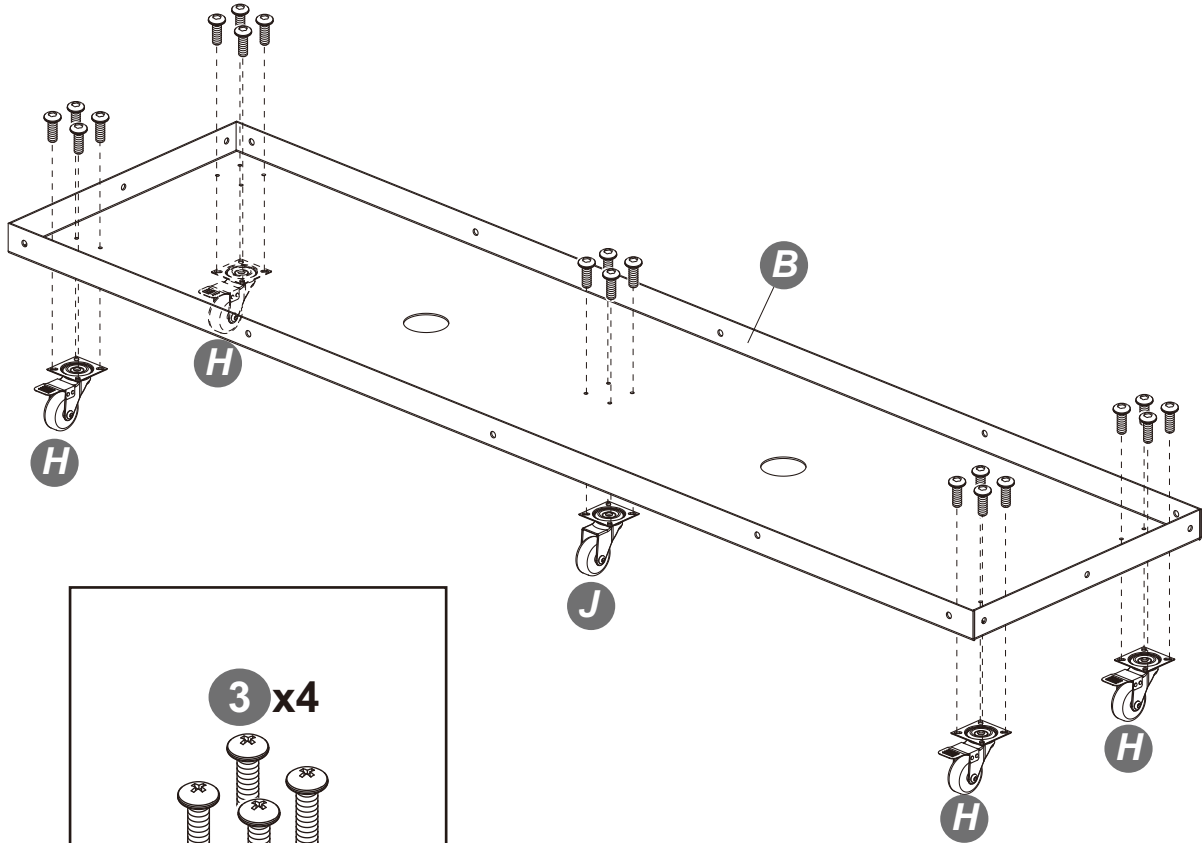
STEP

1

3



20Pcs



STEP

2

1

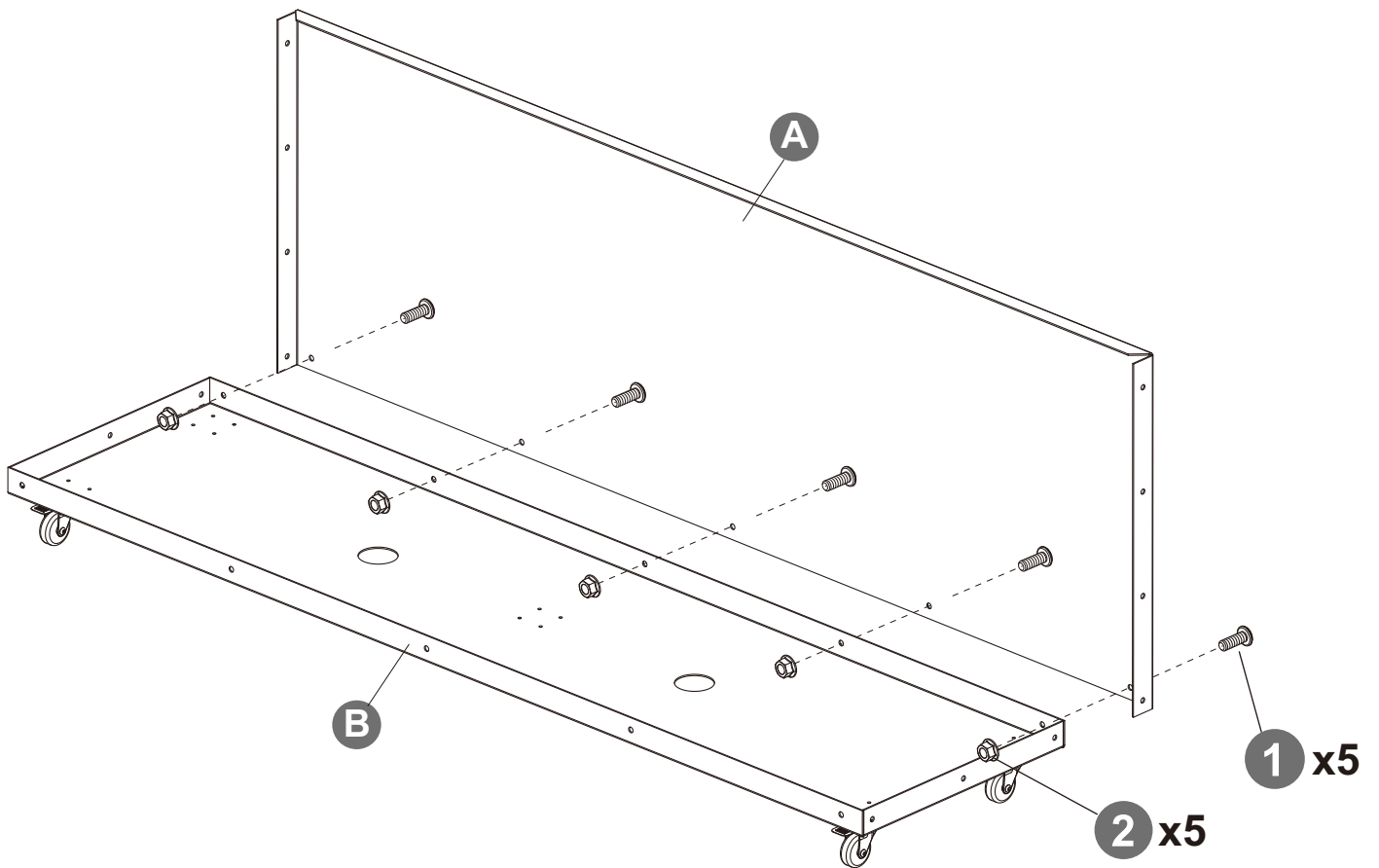


5Pcs

2

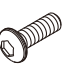



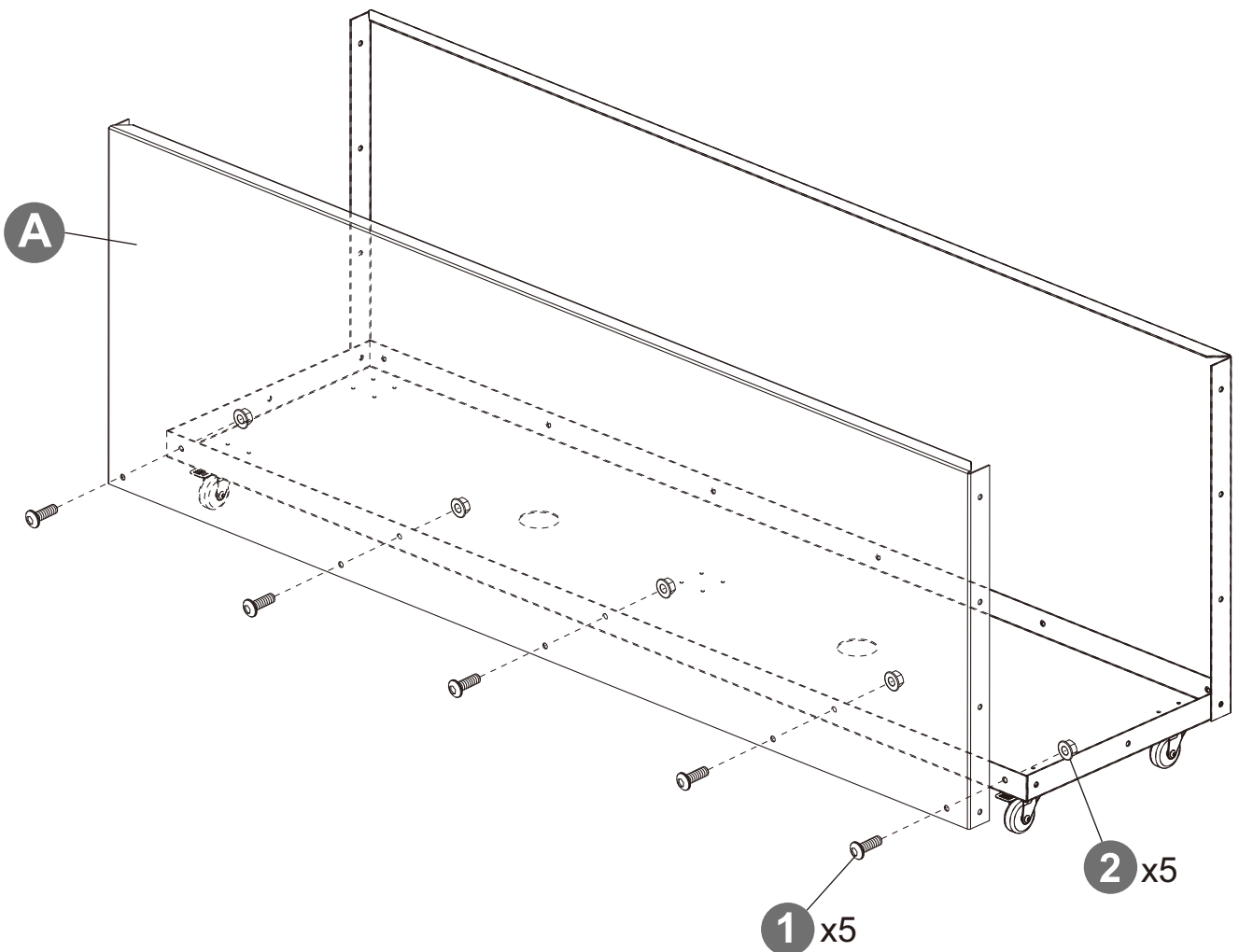
5Pcs



STEP



3

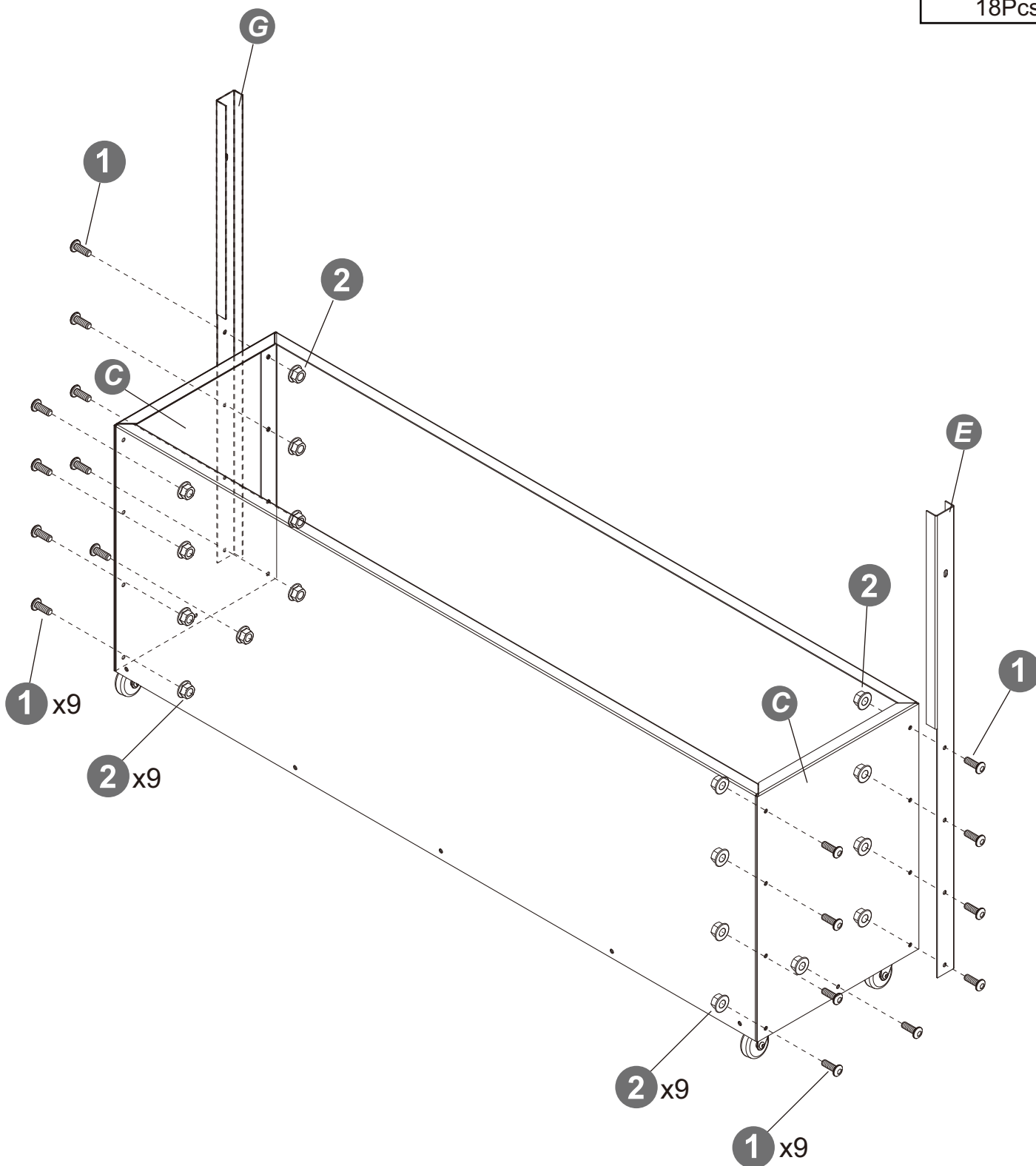
1	
	5Pcs
2	
	5Pcs



STEP

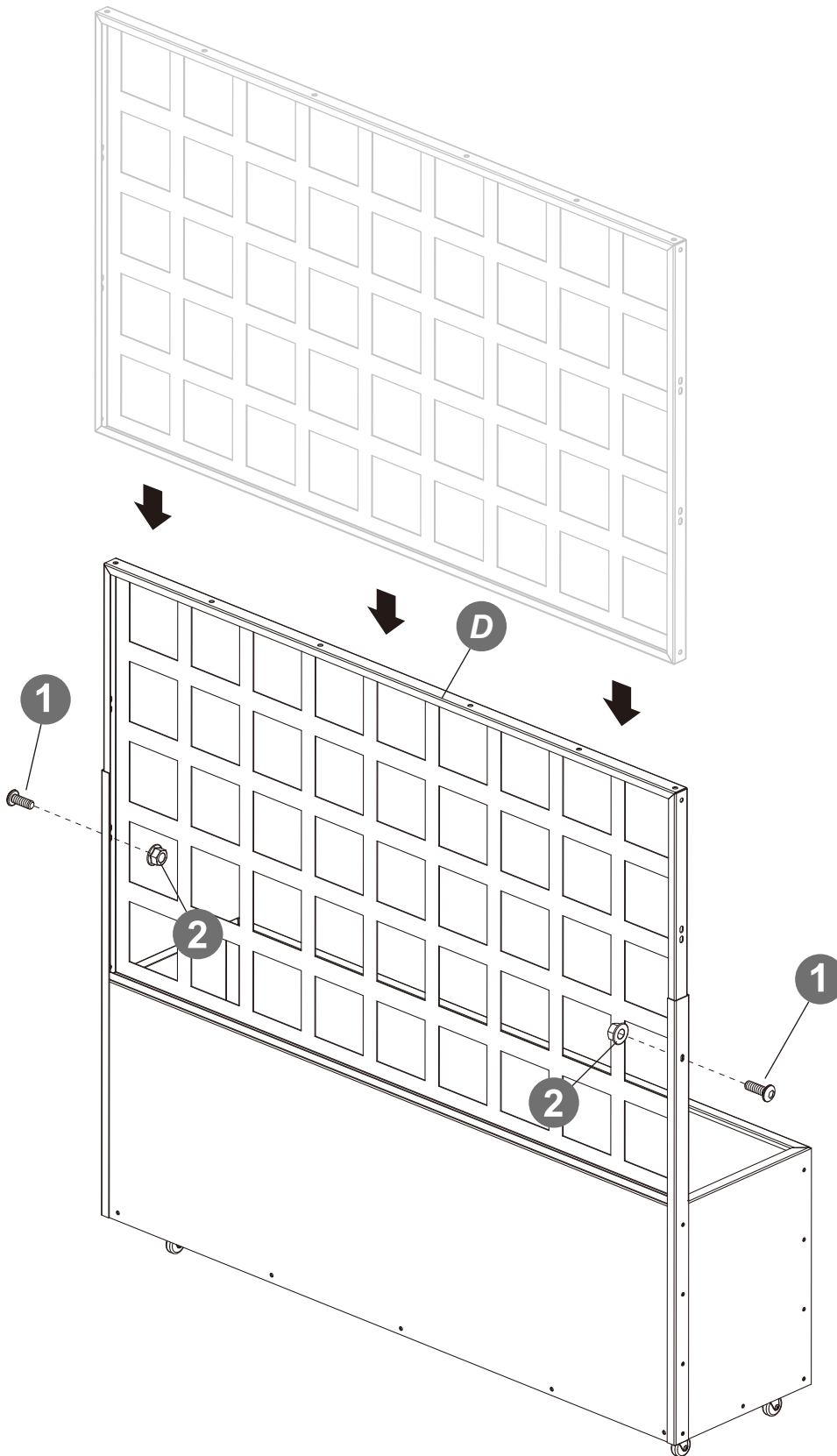
4



1		18Pcs
2		18Pcs



STEP

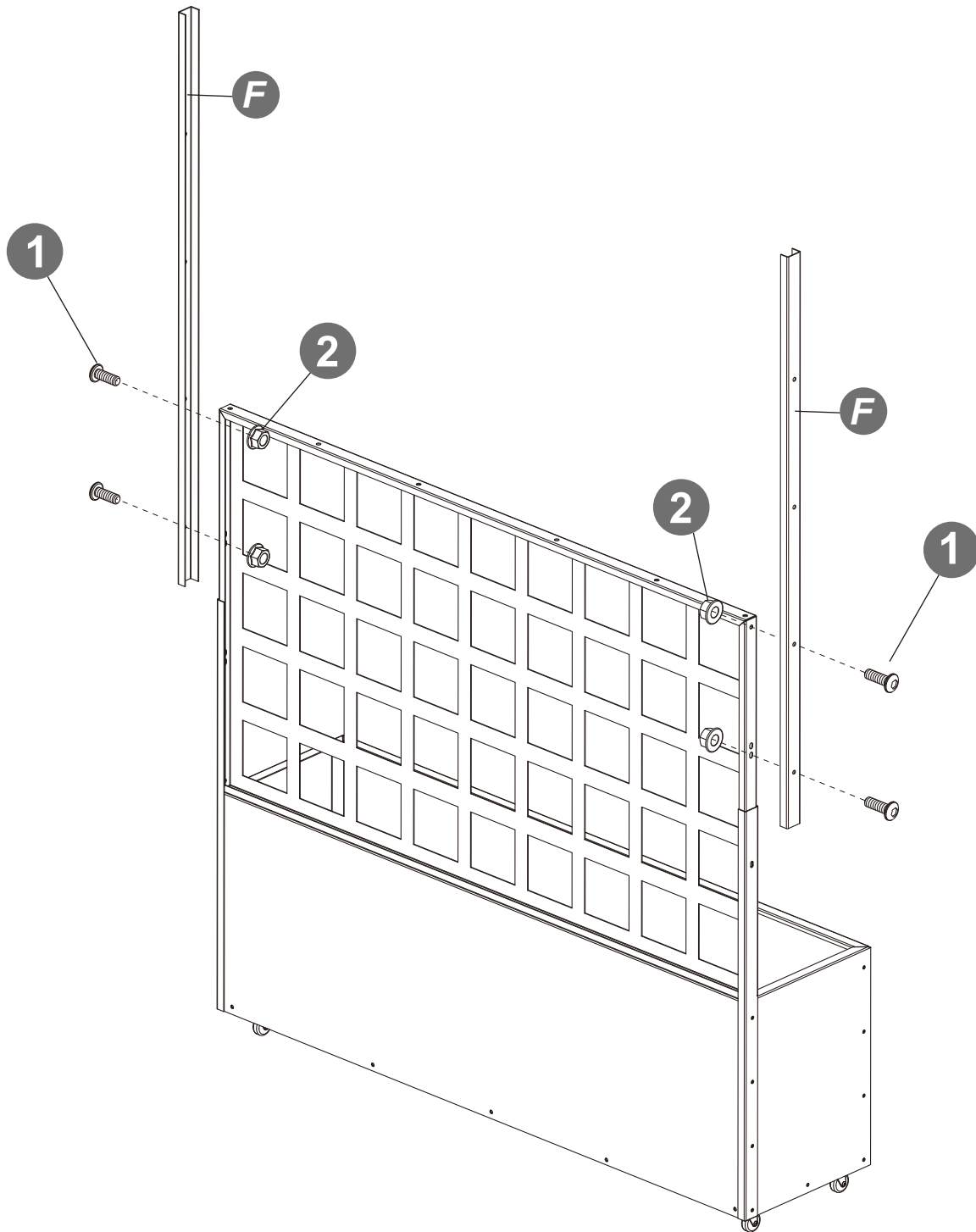
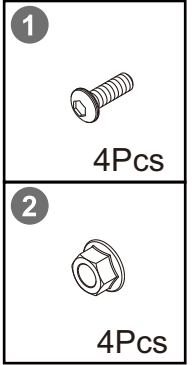
5



- | | | |
|---|-------------------------------------------------------------------------------------|------|
| 1 |  | 2Pcs |
| 2 |  | 2Pcs |

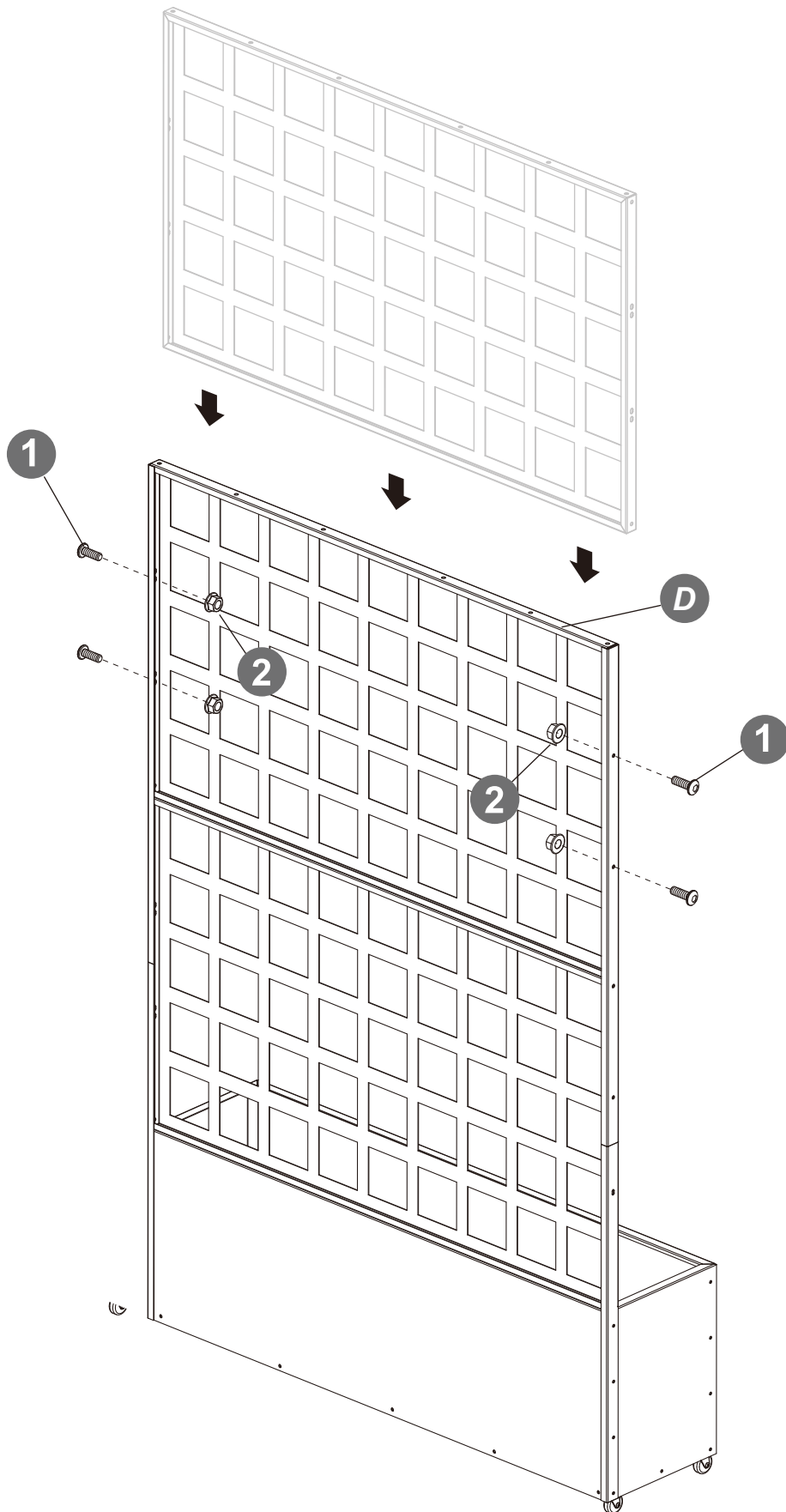
STEP



6



STEP

7



1		4Pcs
2		4Pcs

STEP

8

