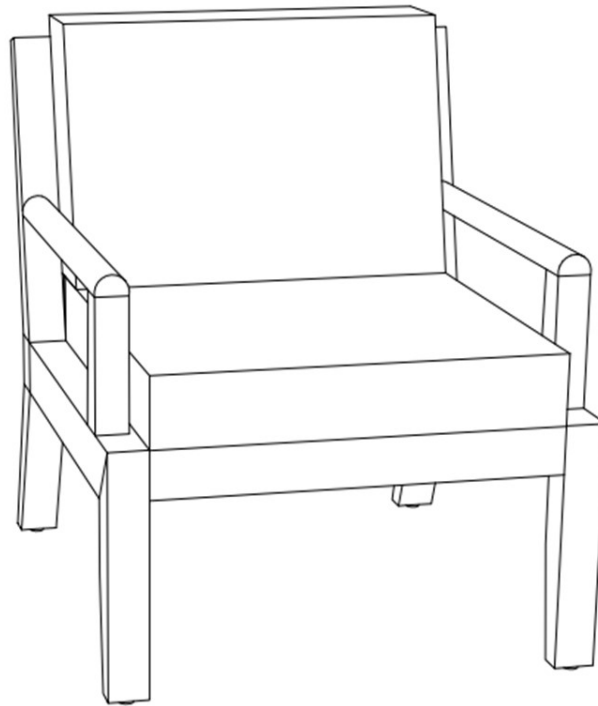


Assembly Instructions

Caution: You must read this before you proceed

Please look on the backrest for hardware packs

CHAIR

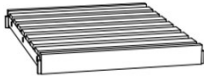
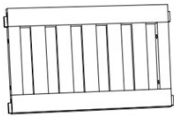


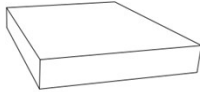



CAUTION: This Chair is NOT a TOY.



Keep your child / children at bay during the assembly process.

For moving the Chair and to prevent damage to the Chair, two adults may be needed to execute this action.

Parts List

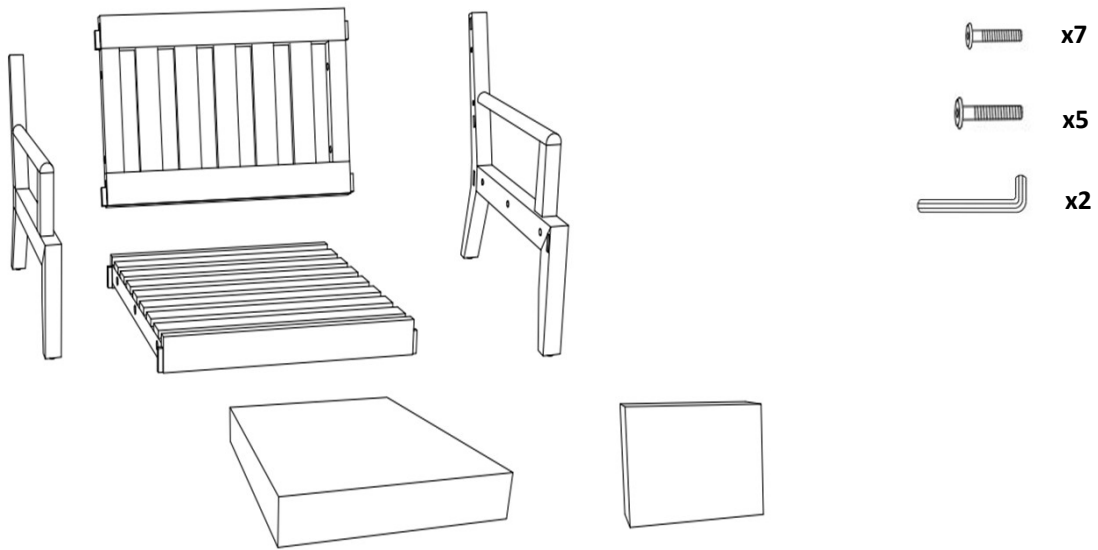
Label	Picture	Description	QTY
A		Seat Panel	1
B		Backrest Panel	1
C		Right Leg Panel	1
D		Left Leg Panel	1
E		Seat Cushion	1
F		Back Cushion	1






Hardware

Label	Picture	Description	QTY
①		Bolt (M6 x 40 mm)	7
②		Bolt (M6 x 55 mm)	5
③		Allen Wrench	2

Assembly Preparation

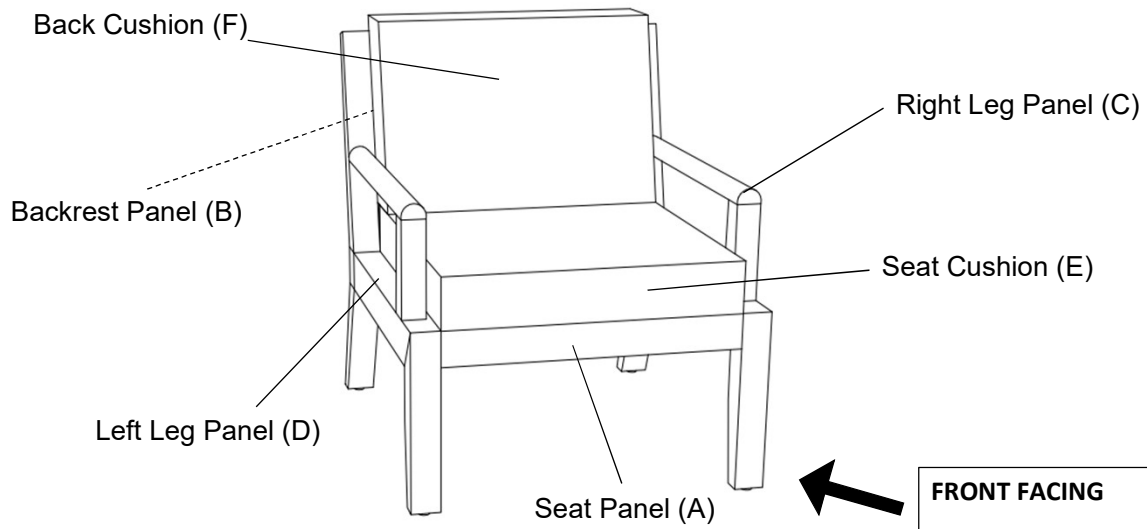
Before Beginning Assembly:



-  • Read instructions, cover to cover-
-  • Have 2 adults on hand for assembly-
-  • Do not assemble on flooring or carpet-
-  • Assemble on a clean non-marring surface (packing foam)-
-  • Save all packaging until finished-

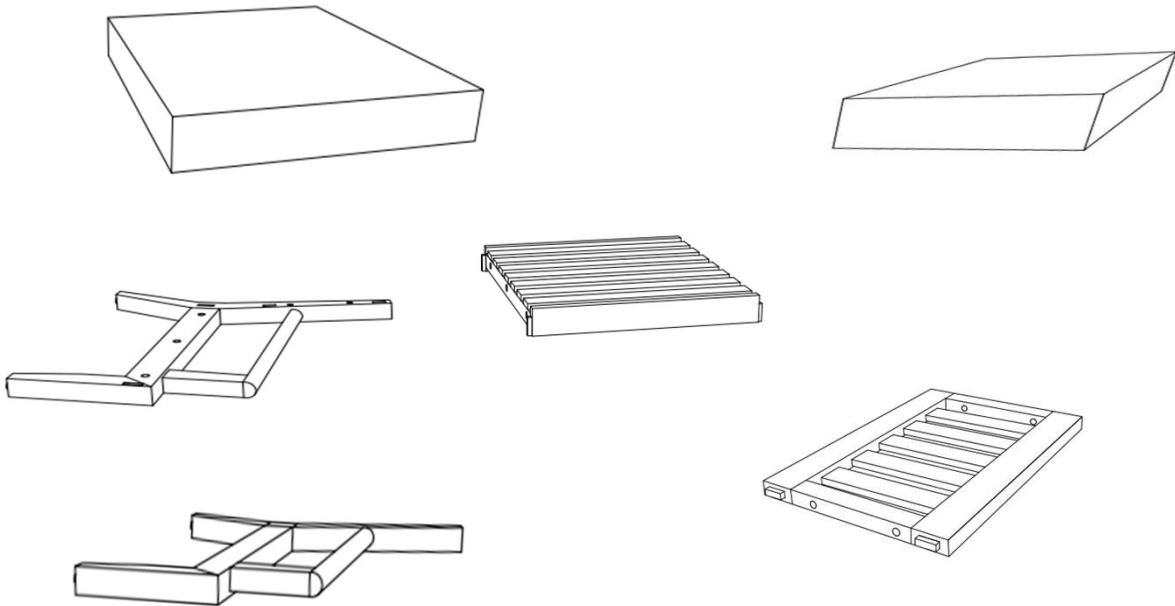
Assembly Steps

OVERVIEW



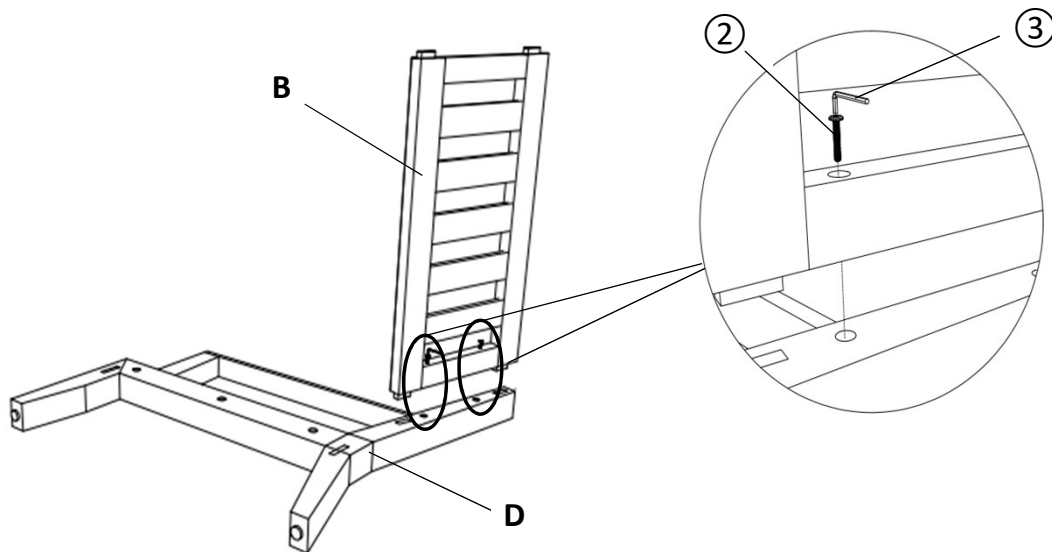
This Chair has multiple parts and may require up to some 30 minutes to assemble. To give you an overview of the Chair parts, the above picture is to help you put the various parts into perspective. Please read through the instructions below to familiarise yourself with the parts and steps before assembly.

Step 1



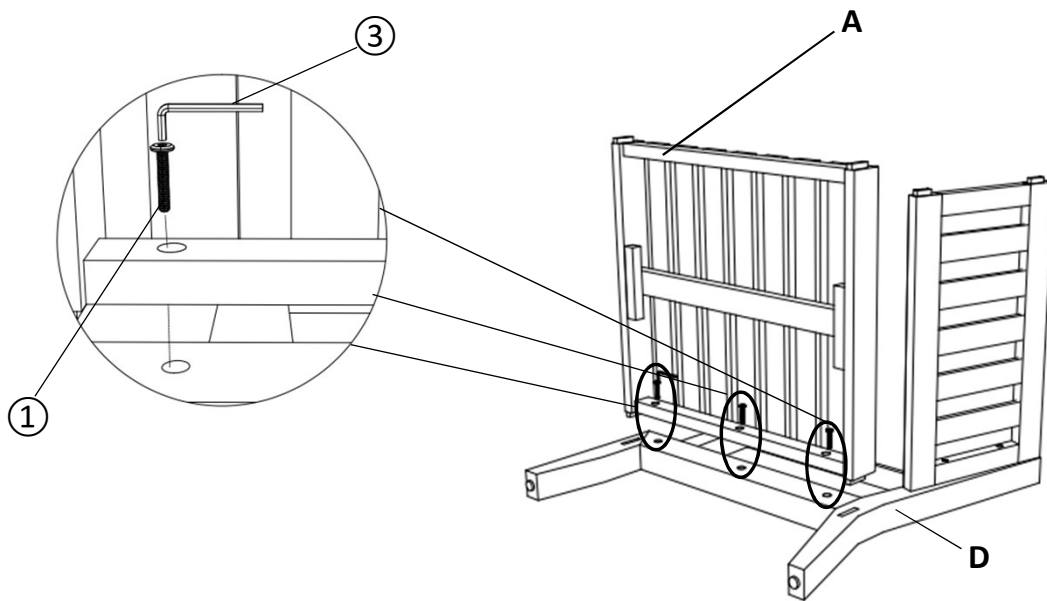
Unpack and place all parts on a clean, non-marring surface.

Step 2



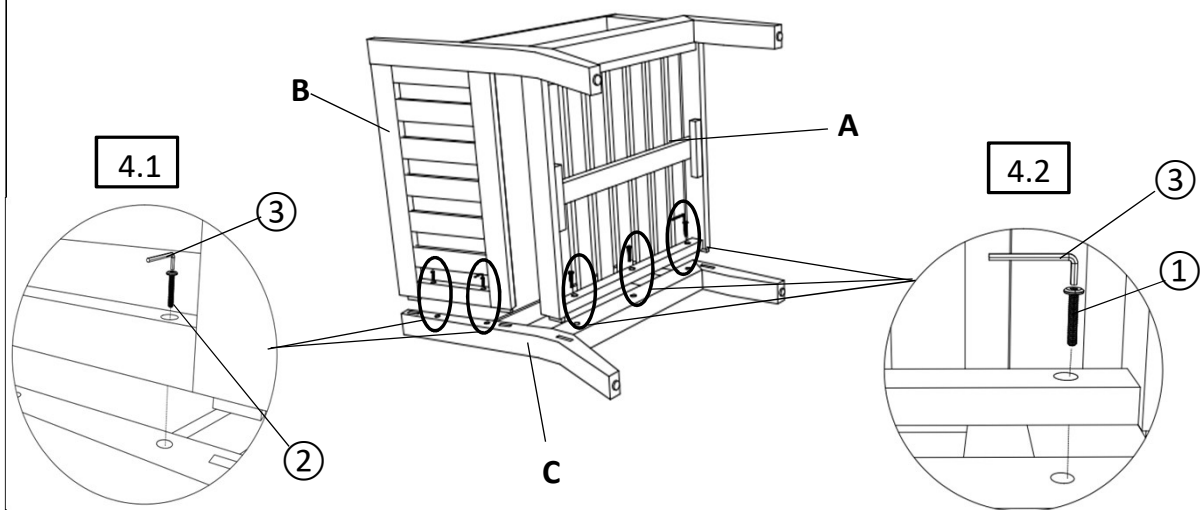
Place the Left Leg Panel (D) facedown onto a clean, non-marring surface.
Attach the Backrest Panel (B) to the Left Leg Panel (D) by using Bolt (2) and Allen Wrench (3)
Do not fully tighten the Bolts

Step 3



Attach the Seat Panel (A) to the Left Leg Panel (D) of the assembled part in step 2 by using Bolt (1) and Allen Wrench (3) as the picture shown above.
Do not fully tighten the Bolts.

Step 4



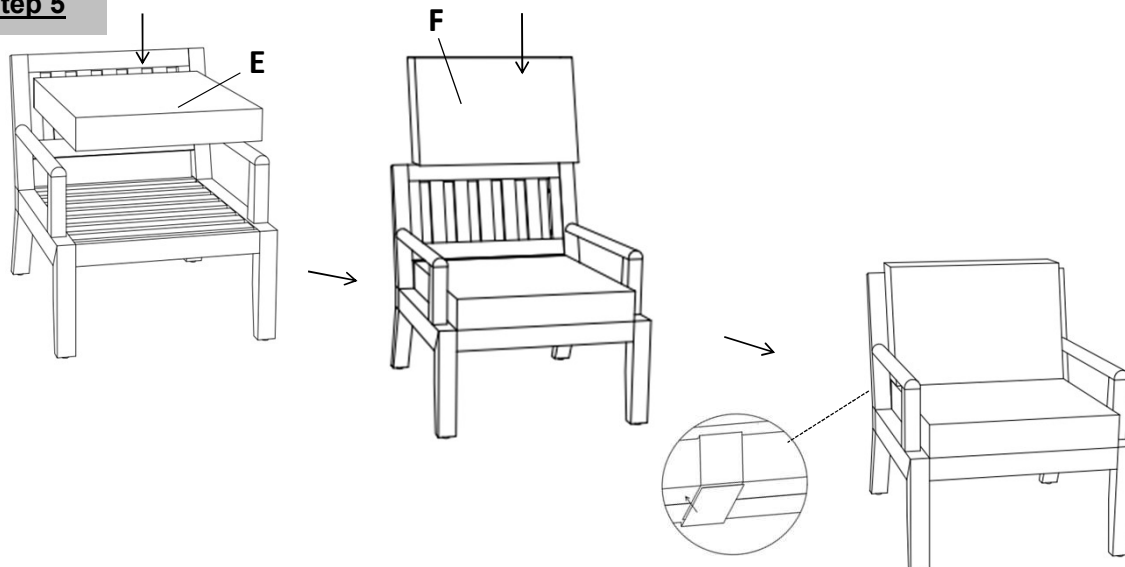
With assistance from your adult partners, flip up the assembled part in Step 3 to attach to the Right Leg Panel (C)

4.1. Attach the Right Leg Panel (C) to the Backrest Panel (B) of the assembled part in step 3 by using Bolt (2) and Allen Wrench (3)

4.2. Attach the Right Leg Panel (C) to the Seat Panel (A) of the assembled part in step 3 by using Bolt (1) and Allen Wrench (3)

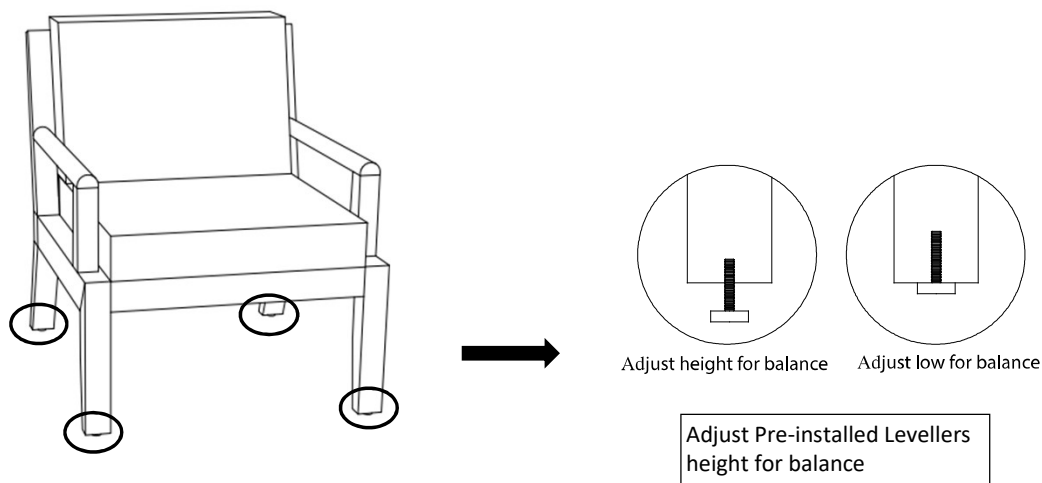
Do not fully tighten the Bolts

Step 5



With assistance from your partner, stand the Chair up.
Place the Seat Cushion (E) and the Back Cushion (F) into the Chair.
Attach all 4 Magic Tapes of the Seat Cushion (E), 2 Magic Tapes of the Back Cushion (F) to the seat panel and the back of the Chair respectively, as shown above.










Step 6



Place the Chair on a LEVEL SURFACE.
Inspect it and make sure all parts are adequately connected.
Gently and gracefully, sit into to the Chair.
This will help to align all the parts at all joint areas.
Then get off the Chair and proceed to tighten the Bolts in a sequential manner.
When tightening the Bolts tighten sequentially.
DO NOT tighten any Bolt fully and then move on towards the next one.
If there are still wobbles, loosen the Bolts and execute this same process.

Adjust the Levellers until the Chair is level with the ground.
To adjust the Levellers, get assistance from an adult partner to lift/lean and hold the Chair while you are working.
Your Chair is ready for use.
This Chair can only be used on a flat, level surface

Care & Maintenance

- ⊘  ● Do not put hot items directly on furniture surface
 - ⊘  ● Do not clean furniture with harsh cleansers or polish.
 - ✓  ● To obtain the longest lifespan of your outdoor products, minimizing exposure to direct sunlight is recommended.
 - ⊘  ● Children should not climb or jump on the furniture.
 - ⊘  ● Do not write on furniture without a padded barrier to protect the surface.
 - ✓  ● To obtain the longest lifespan of your outdoor products, avoid extended and lengthy exposure to rain, snow, and direct sunshine. Whenever possible cover the product and /or place under patio or awnings.
 - ⊘  ● Not for commercial use. For residential use only .
 - ⊘  ● Stains may be removed with mild soap solution and damp cloth.
-
- ✓  ● Dust and pick-up spills using a clean, non-colored, lint-free cloth .