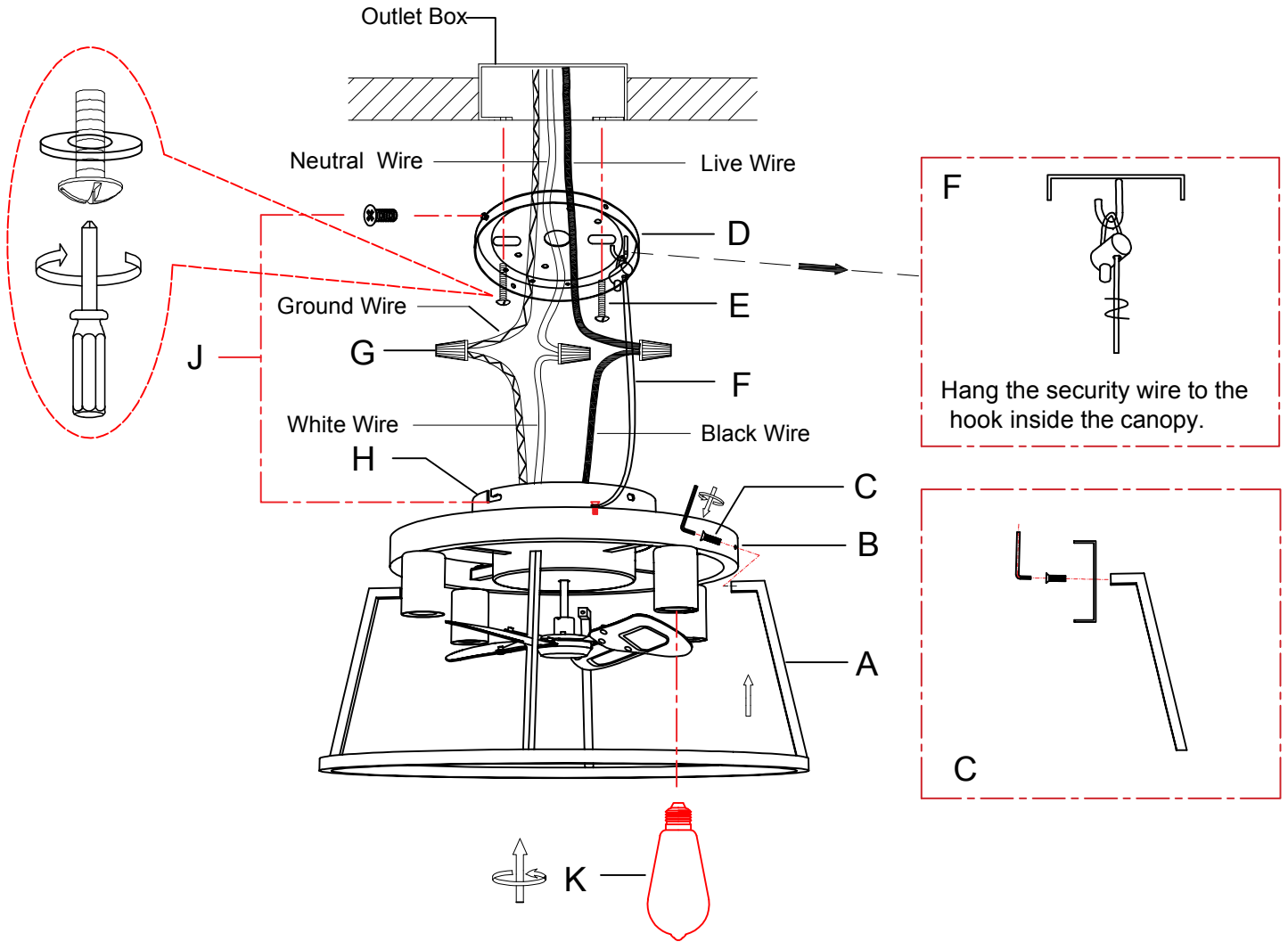


ITEM NO. :T7246-4CU

ASSEMBLY INSTRUCTIONS

1. Attach the frame (A) to the lamp body (B) using screws (C) to secure.
2. Install the mounting plate (D) on the outlet box with the screws (E).
3. Hang the security wire (F) to the hook inside the canopy.
4. Connect the fixture wire to the circuit wire by wire nuts (G), black wire with live wire, white wire with neutral wire, ground wire with ground wire.
5. Fix the lamp body (H) to the mounting plate (D) with the ball nuts (J).
6. Screw the bulb (K) into the lamp holder.

Please consult a qualified Electrician if you are not familiar with electrical wiring.



Installation Guide (With Existing Junction Box)

