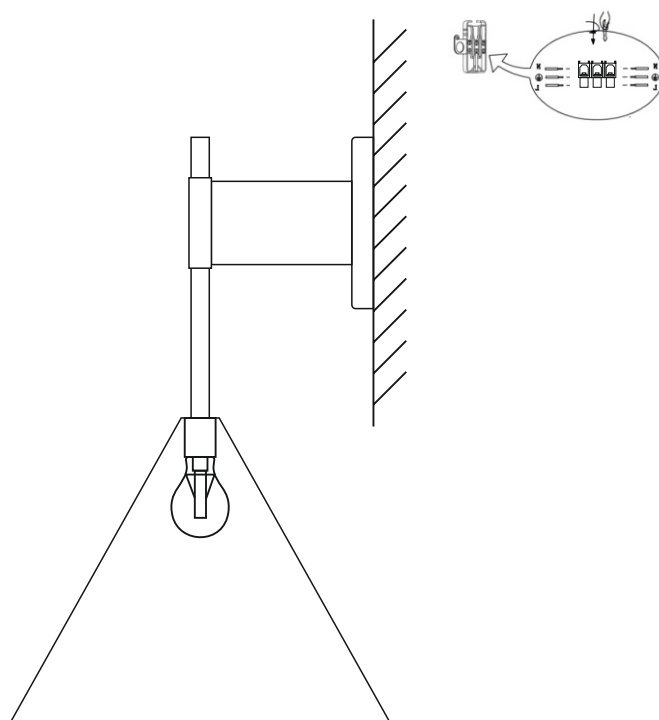


Instruction Manual

Brockhill 28cm Metal Wall Light, Bronze

www.laura-james.co.uk

1700760.11



CONTENTS

Safety and care advice	1
Components	2
Assembly instructions	3
Copyright	4

SAFETY AND CARE ADVICE

PLEASE READ THESE INSTRUCTIONS CAREFULLY AND KEEP FOR FUTURE REFERENCE

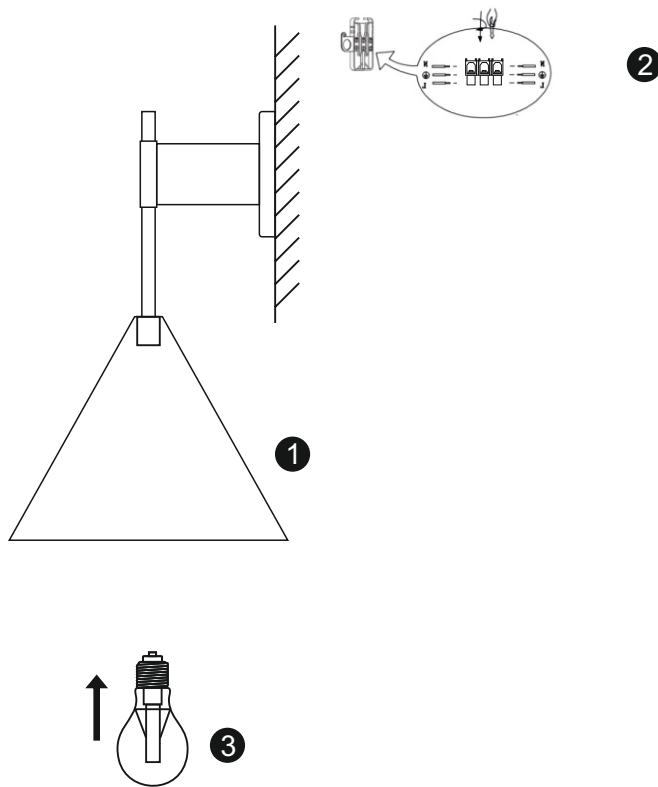
- **Warning:** Please lift with care.
- Check you have all the components and tools listed on pages 2 and 3.
- Remove all fittings from the plastic bags and separate them into their groups.
- Keep children and animals away from the work area, small parts could choke if swallowed.
- Make sure you have enough space to lay out the parts before starting.
- Do not stand or put weight on the product, this could cause damage.
- Assemble the item as close to its final position (in the same room) as possible.
- Assemble on a soft level surface to avoid damaging the unit or your floor (use opened out unit carton).
- Dispose of all packaging carefully and responsibly.
- Check that you have correctly identified the wires, the connections are tight and that no basic insulation is exposed.

CARE AND MAINTENANCE

- Only clean using a damp cloth and mild detergent, do not use bleach or abrasive cleaners.
- From time to time check that there are no loose screws on this unit.
- This product should not be discarded with household waste. Take to your local authority waste disposal center.

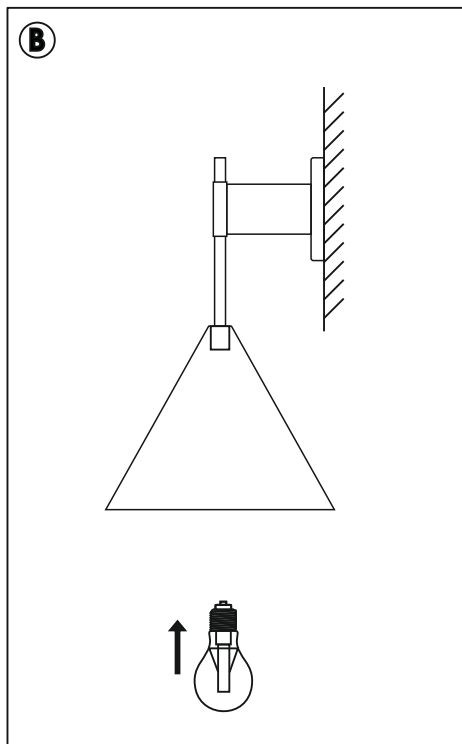
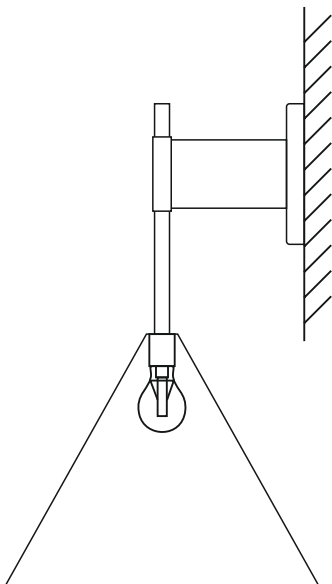
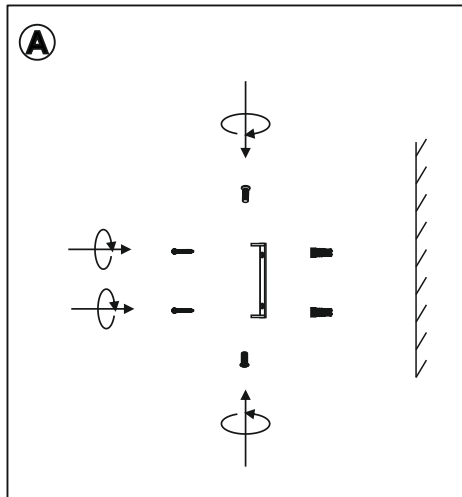
COMPONENTS

Please check you have all the panels listed below:



1. Wall Lamp	1 Pcs
2. Connection Box	1 Pcs
3. Bulb	Not Included

ASSEMBLY INSTRUCTIONS



IF YOU FIND A DEFECTIVE PART

We fully stock all parts and components. Any defective part can be quickly replaced. Take note of the defective part number in manual and we will arrange a quick replacement.

You can email our team at customercare@laura-james.co.uk

COPYRIGHT

All material in this instruction manual is copyrighted by AGTC Ltd.

Any unauthorised use may violate worldwide copyright, trademark and other laws.

Thank you for purchasing!

Laura James® is a registered trademark of AGTC Ltd.
Made in India for AGTC LTD S35 9ZX

Version 1

Laura James

www.laura-james.co.uk