




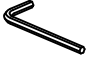

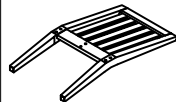
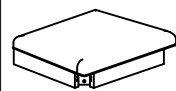
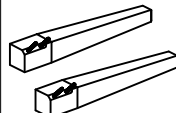


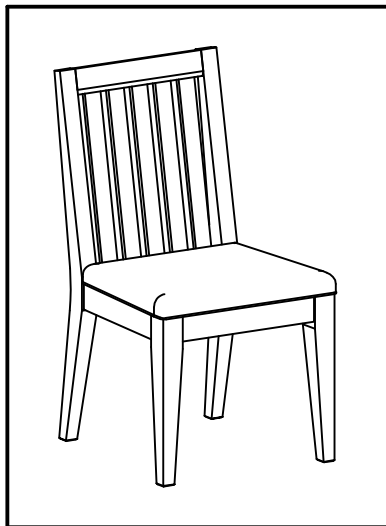
ASSEMBLY INSTRUCTIONS

HARDWARE LIST

NO	SKETCH	HARDWARE	QTY
1		JCBC M8 x 80mm	4 pcs
2		JCBC M8 x 40mm	2 pcs
3		Spring Washer M8	10 pcs
4		Flat Washer	10 pcs
5		Hexagonal Nut M8	4 pcs
6		Allen Key	1 pc
7		Wrench Key	1 pc

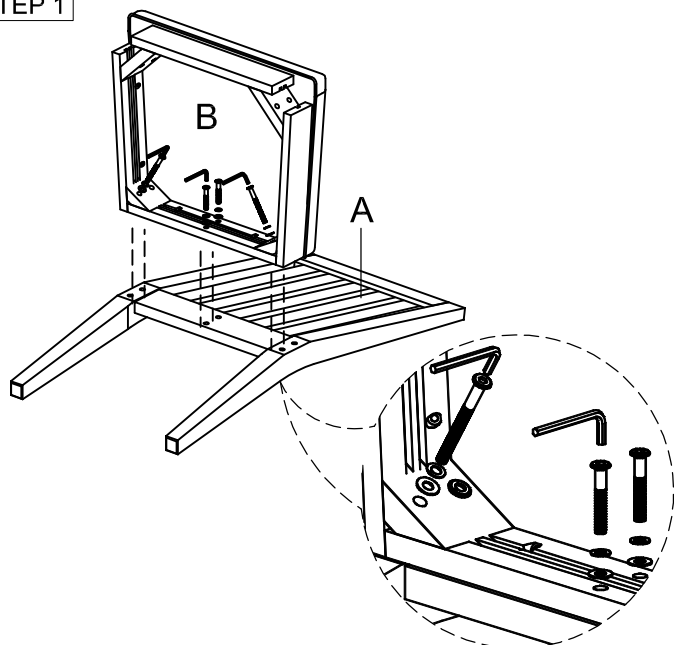
PART LIST

NO	DESCRIPTION	SKETCH	QTY
A	Backrest		1 pc
B	Side Panel		1 pc
C	Leg		2 pcs

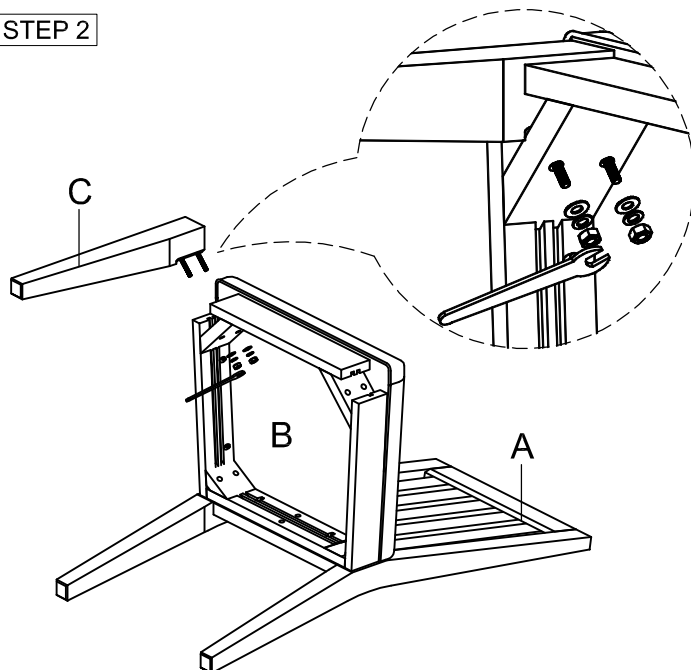


ASSEMBLY STEP

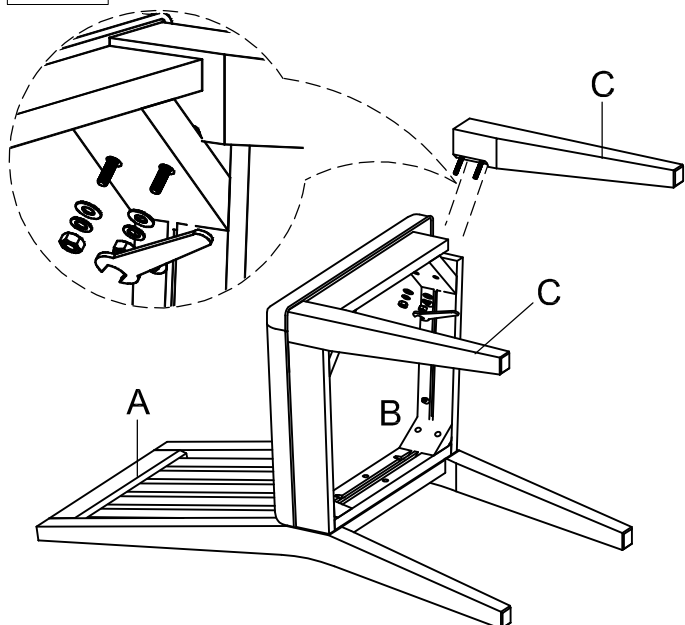
STEP 1



STEP 2



STEP 3



FINISH

