

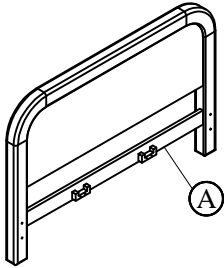
KIONE WOOD PANEL CAL KING BED ASSEMBLY INSTRUCTIONS



PARTS PACKING CONFIGURATIONS

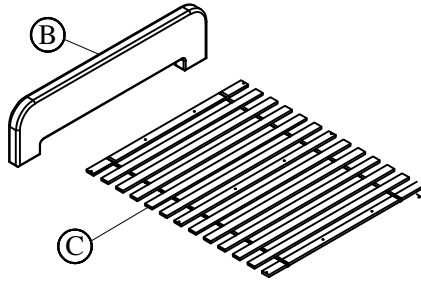
BOX #1

A. HEADBOARD 1 PC



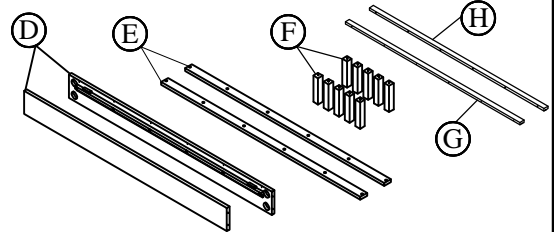
BOX #2

B. FOOTBOARD 1 PC
C. SLAT ROLL 1 SET

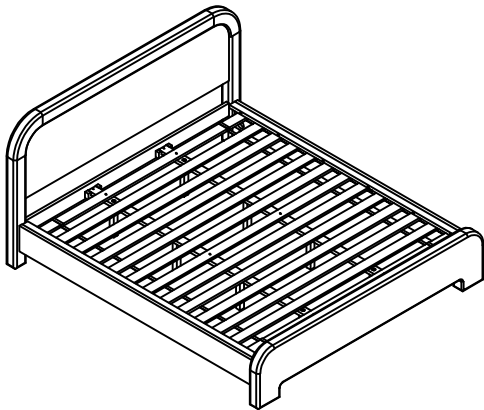


BOX #3

D. SIDE RAIL 2 PCS
E. CENTER SLAT SUPPORT 2 PCS
F. SUPPORT LEG 8 PCS
G. LEFT MATTRESS SPACER 1 PC
H. RIGHT MATTRESS SPACER 1 PC



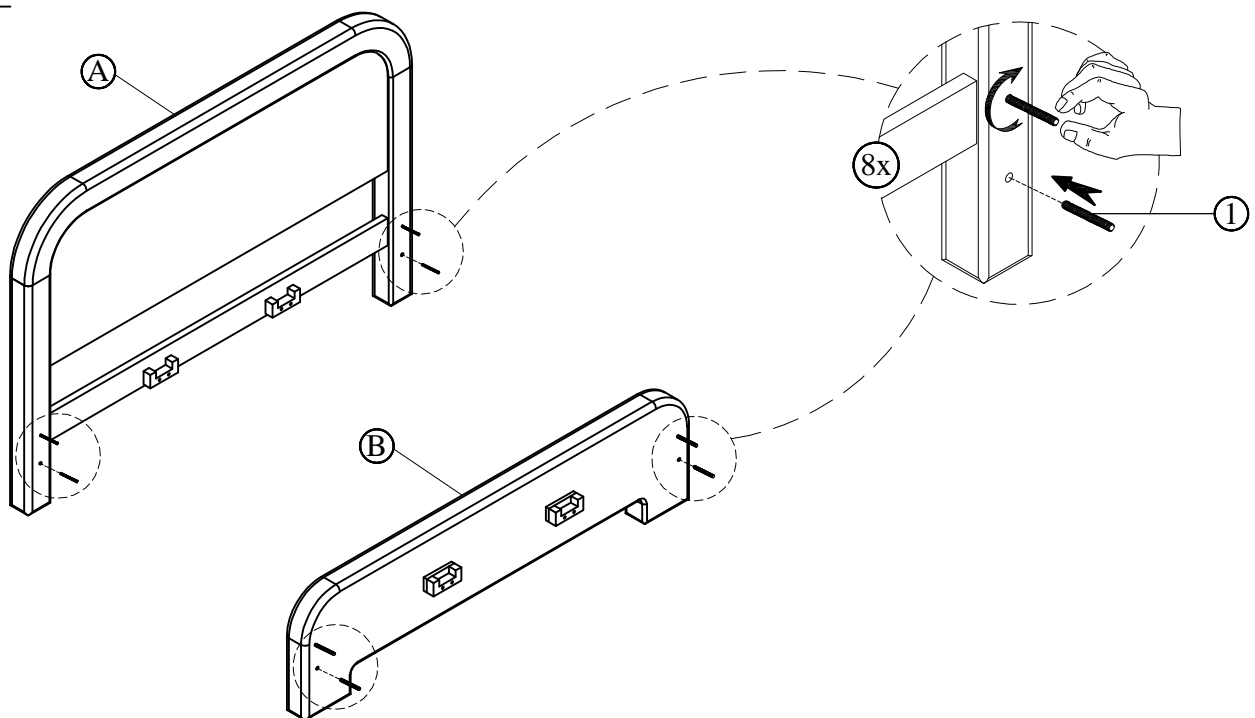
FULLY ASSEMBLED



HARDWARE KIT PACKED IN BOX #2

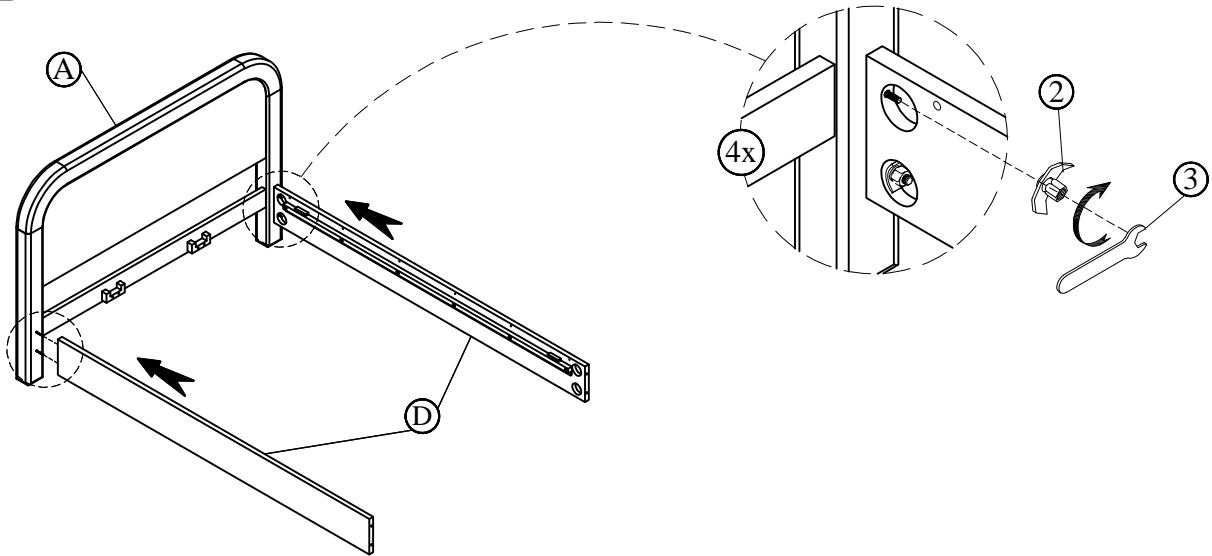
NO.	DESCRIPTION	IMAGE	QTY
1	THREADED BOLT (5/16"x80mm)		8 PCS
2	THREADED HALF MOON WASHER NUT (5/16")		8 PCS
3	WRENCH		1 PC
4	WOOD SCREW (4x30mm)		16 PCS
5	ALLEN KEY		1 PC
6	ALLEN BOLT (1/4"x50mm)		12 PCS
7	LOCK WASHER (5/16")		12 PCS
8	FLAT WASHER (1/4")		12 PCS

STEP 1

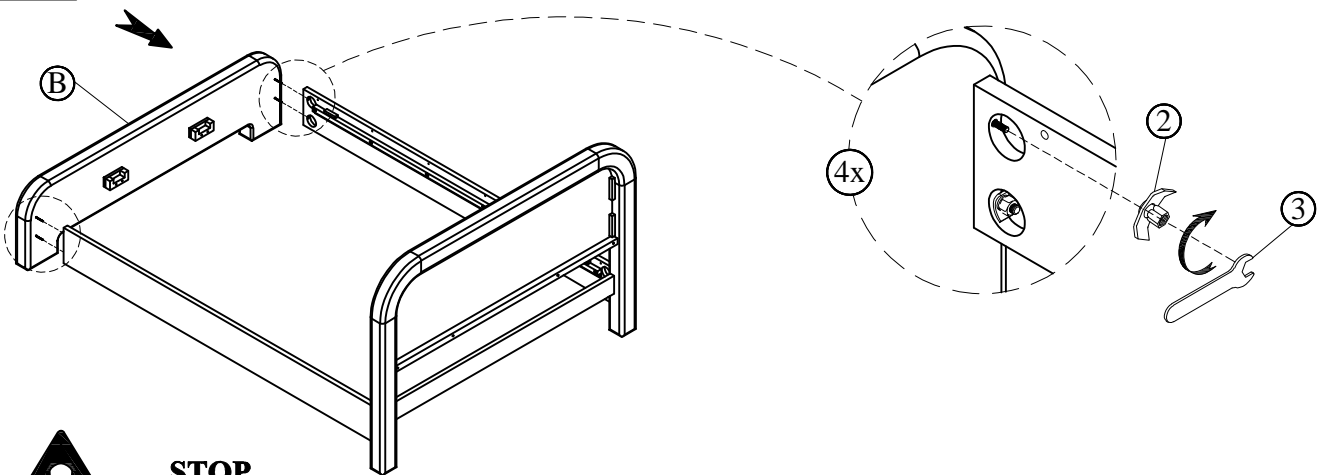


KIONE WOOD PANEL CAL KING BED ASSEMBLY INSTRUCTIONS

STEP 2



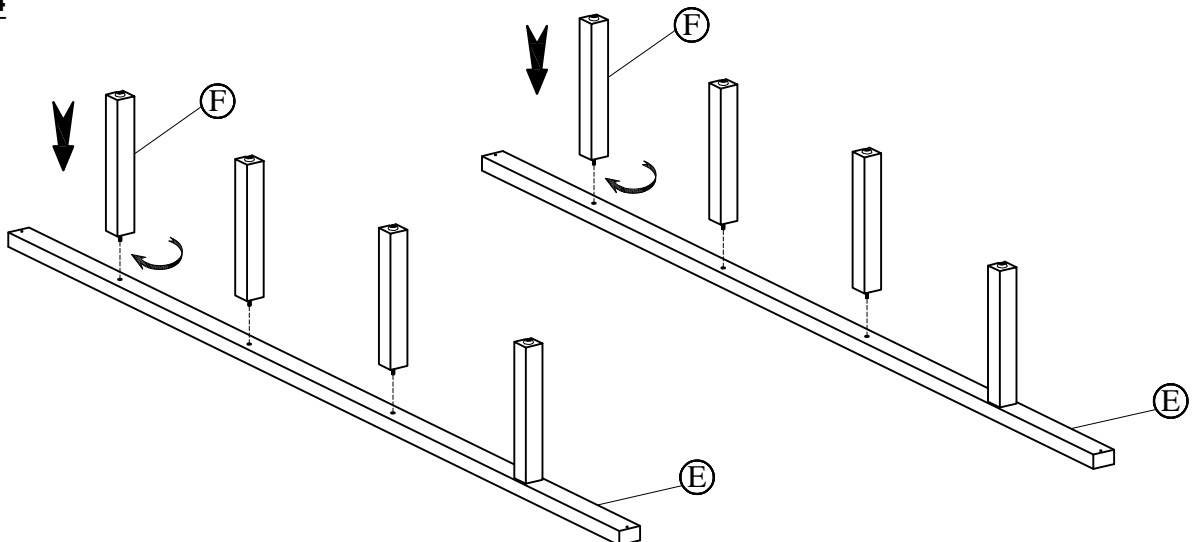
STEP 3



STOP

- IF USING BED WITH AN ADJUSTABLE MATTRESS BASE, SKIP STEPS 4, 5, 6, 7 & 8 AND REFERENCE APPENDIX A: ADJUSTABLE MATTRESS BASE ASSEMBLY SUPPLEMENT.
- IF USING BED FRAME WITH STANDARD BOX SPRING OR FOUNDATION, CONTINUE TO STEP 4

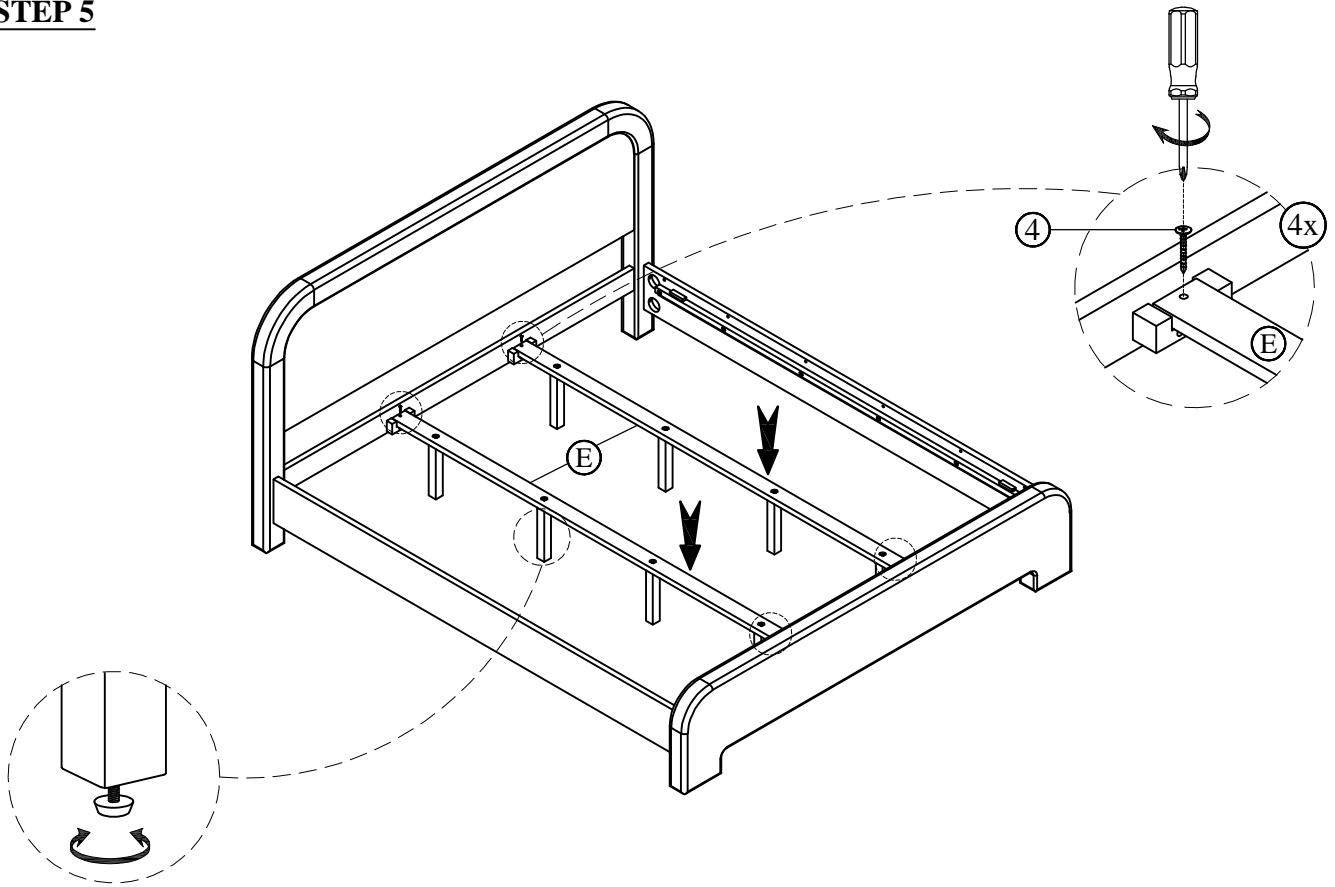
STEP 4



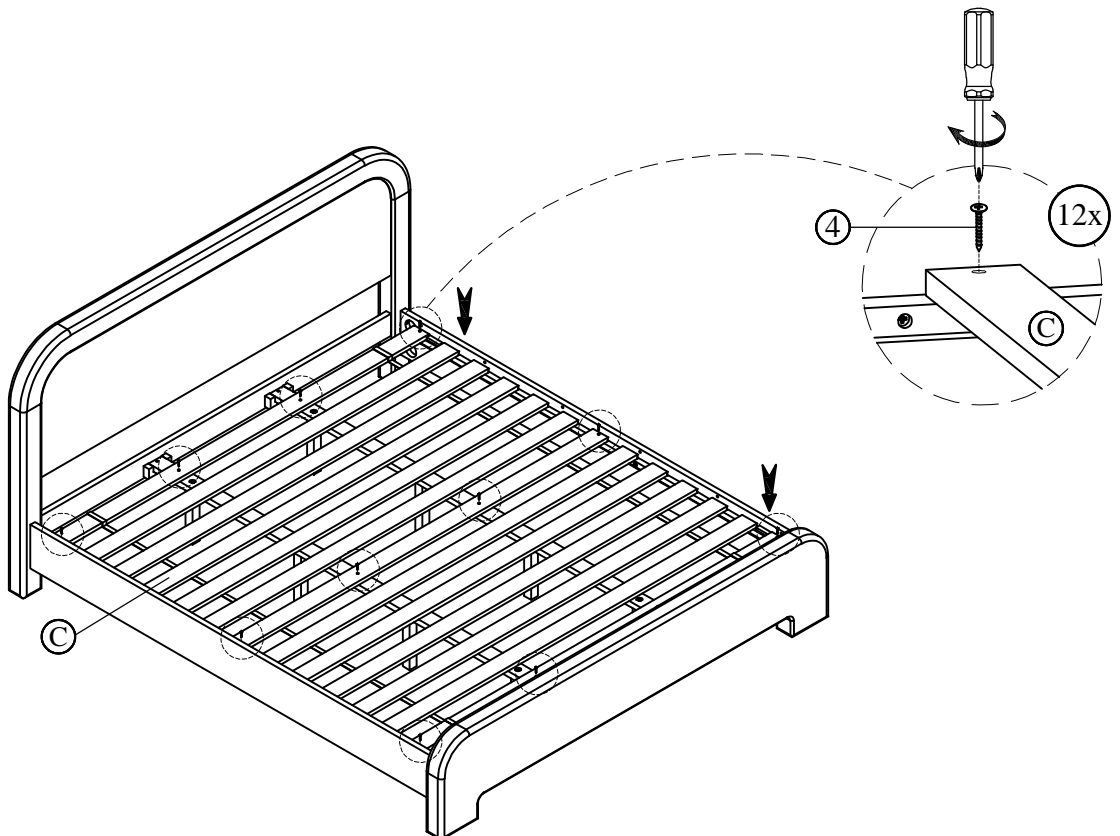
KIONE WOOD PANEL CAL KING BED ASSEMBLY INSTRUCTIONS



STEP 5



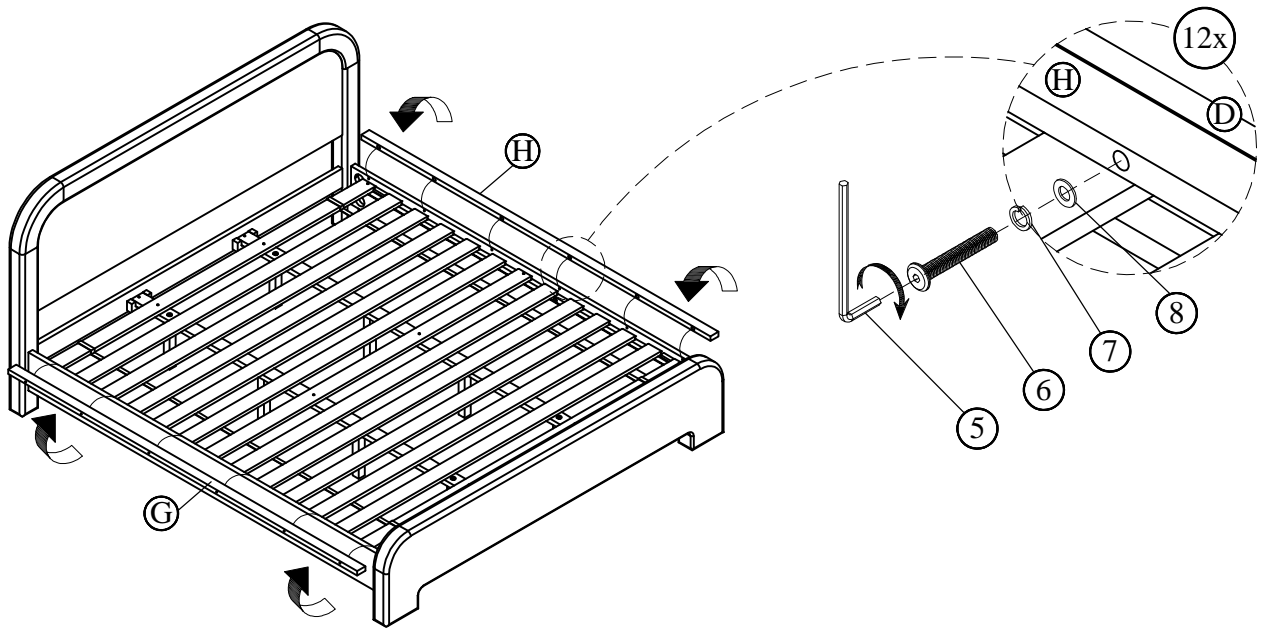
STEP 6



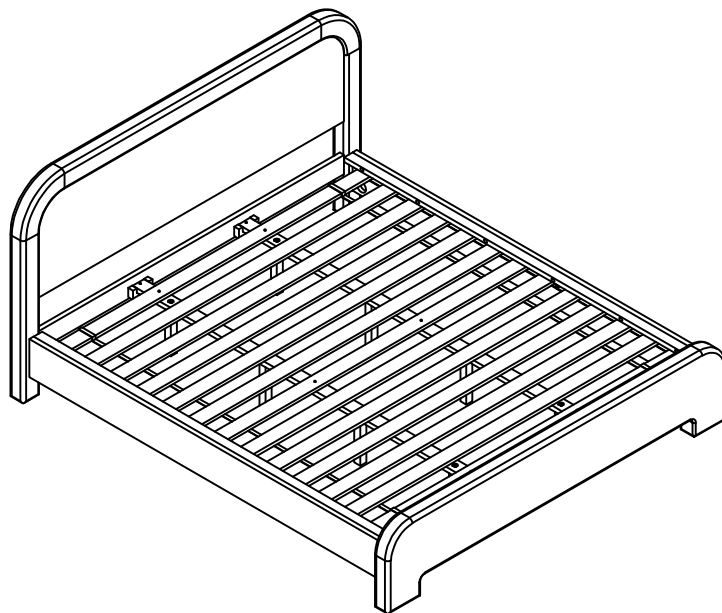
KIONE WOOD PANEL CAL KING BED ASSEMBLY INSTRUCTIONS



STEP 7



STEP 8



ASSEMBLY COMPLETE

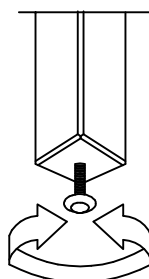
PAGE 4 OF 5

INSTRUCTIONS FOR ADJUSTING LEVELERS:

Position the bed in your space and locate the leveler under each leg support (F).

Turn the leveler counter-clockwise to extend and clockwise to retract it.

Adjust each leveler until each leg support is applying equal, upward pressure on the center slat.



MAINTENANCE INSTRUCTIONS:

- Periodically check all fittings and tighten if necessary, as they can loosen over time.
- Always remove box spring and mattress before moving the bed.
- Lift the bed when moving it. Dragging the bed can damage the center support.
- Readjust levelers after moving the bed.

KIONE WOOD PANEL CAL KING BED ASSEMBLY INSTRUCTIONS



APPENDIX A: ADJUSTABLE MATTRESS BASE ASSEMBLY SUPPLEMENT

AN ADJUSTABLE MATTRESS BASE IS A FREESTANDING MATTRESS SUPPORT THAT SITS WITHIN THE PERIMETER OF THE BED FRAME.

IF USING THIS BED FRAME WITH A STANDARD BOX SPRING OR FOUNDATION THESE INSTRUCTIONS DO NOT APPLY.

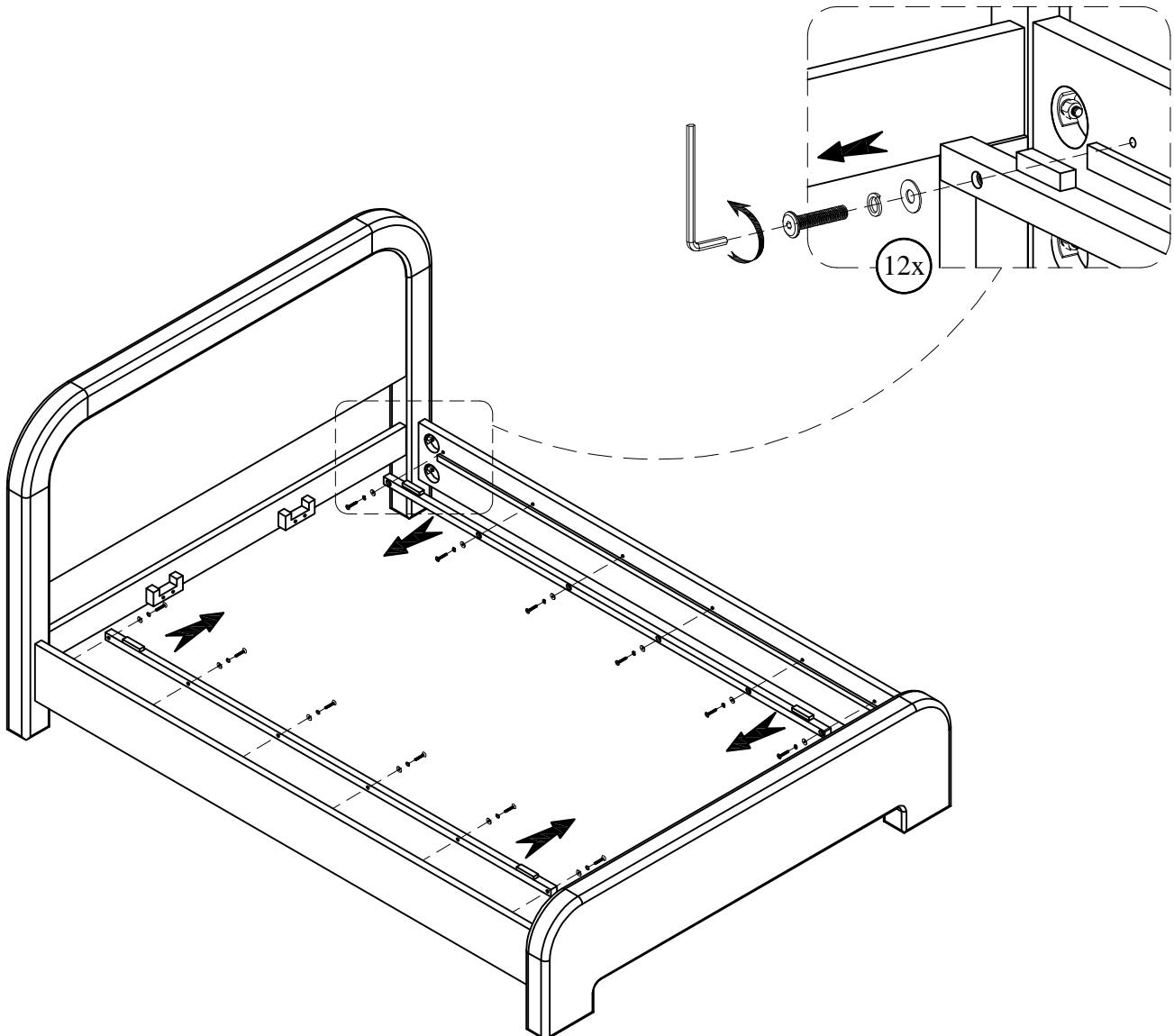
PRE-ASSEMBLED SIDE RAIL CLEATS OBSTRUCT ADJUSTABLE BASE INSTALLATION AND OPERATION. FOLLOW THESE INSTRUCTIONS TO REMOVE THEM.

THE FOLLOWING PARTS ARE NOT REQUIRED FOR ADJUSTABLE MATTRESS BASE INSTALLATION:

C. SLAT ROLL	: 1 SET	*WOOD SCREW (4x30mm)	:16 PCS
E. CENTER SUPPORT	: 2 PCS		
F. SUPPORT LEG	: 8 PCS		
G. LEFT MATTRESS SPACER	: 1PC		
H. RIGHT MATTRESS SPACER	: 1PC		

STEP #1:

USE ALLEN KEY (5) TO UNSCREW ALLEN BOLTS AND REMOVE PRE-ASSEMBLED SIDE RAIL CLEATS.



NOTE: YOU MAY WISH TO RETAIN UNUSED PARTS IF IN THE FUTURE YOU INTEND TO USE THE BED FRAME WITH A STANDARD BOX SPRING OR FOUNDATION.