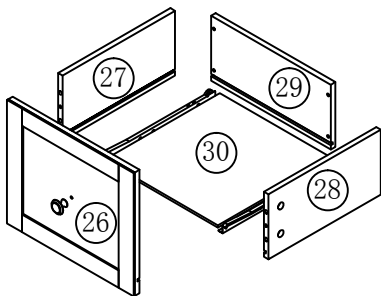
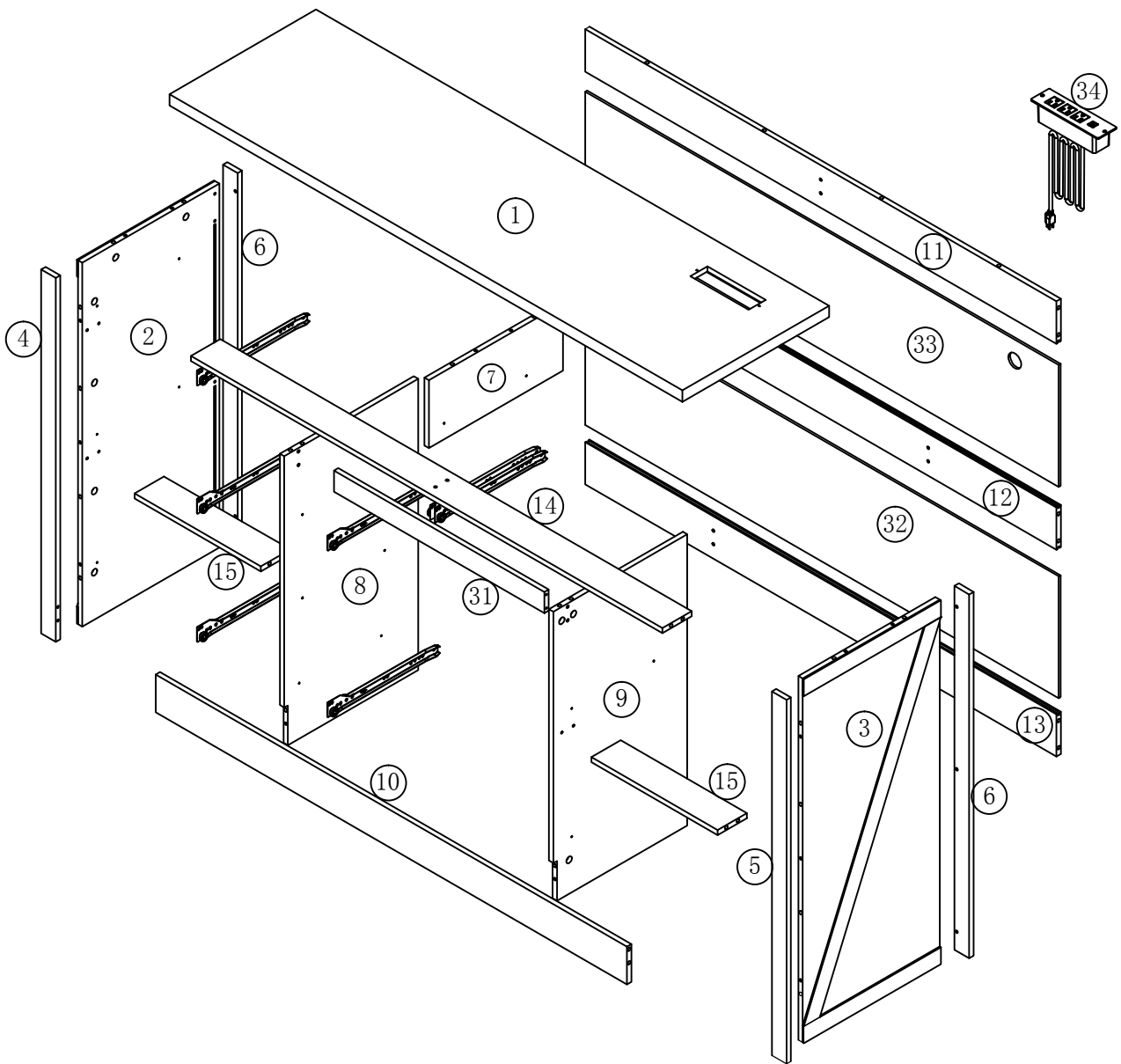


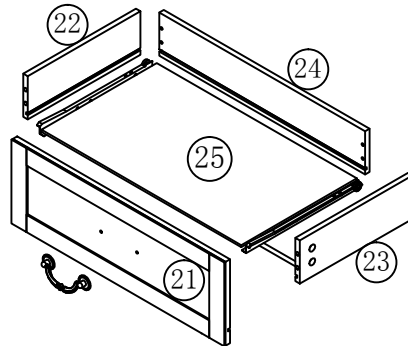
ASSEMBLY INSTRUCTION



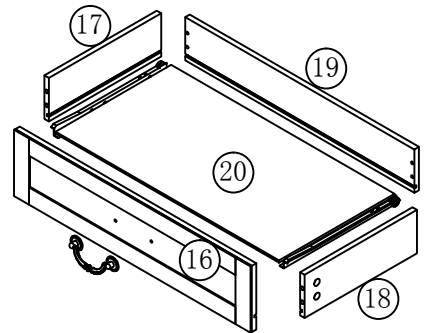
ASSEMBLY INSTRUCTION



X4

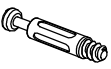

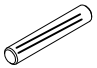
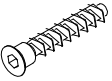






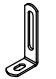

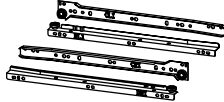
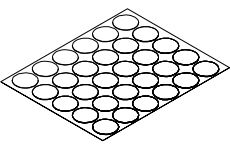
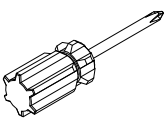



X3

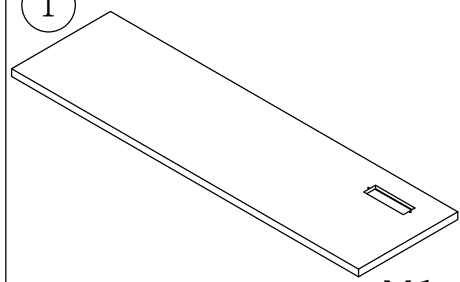
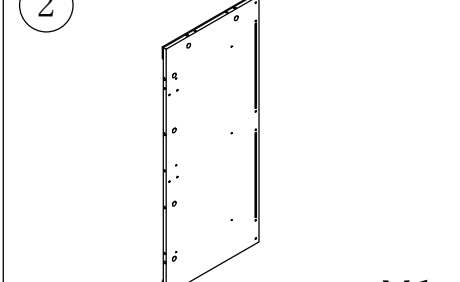
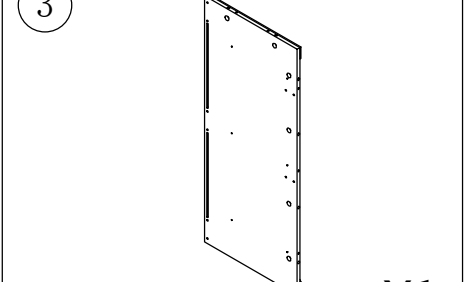
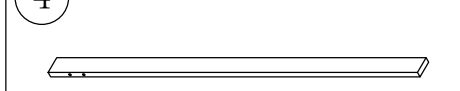
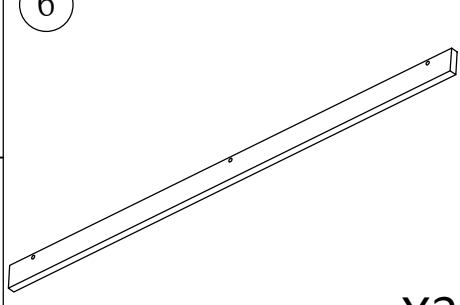
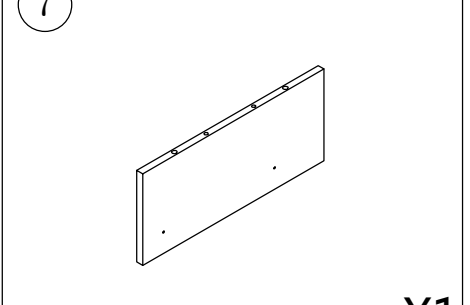
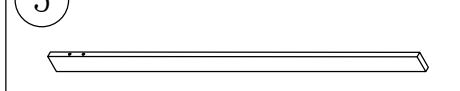
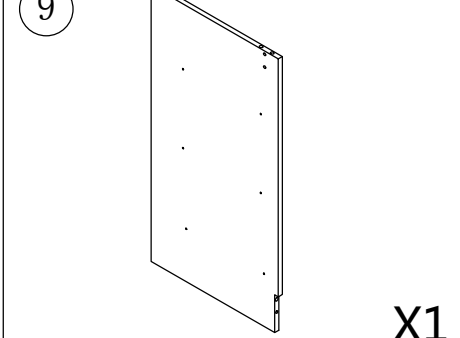
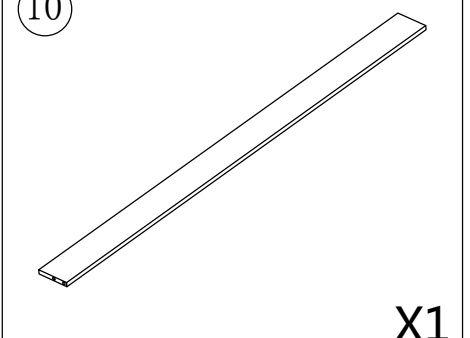
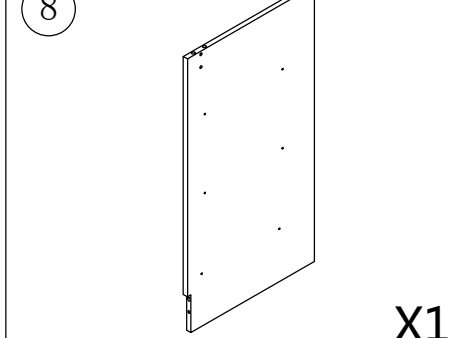
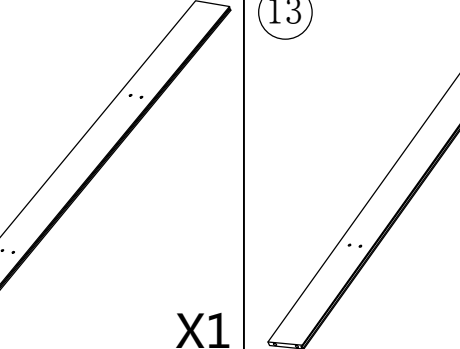
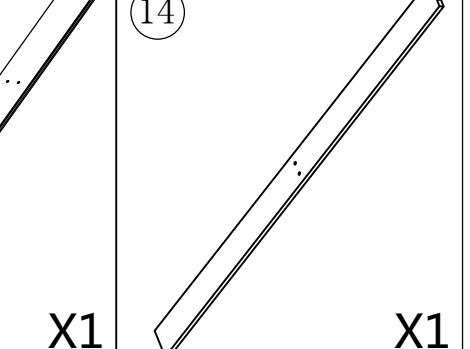
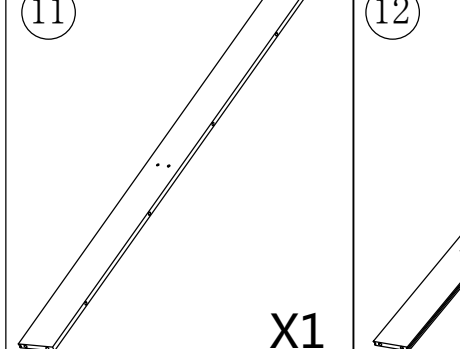
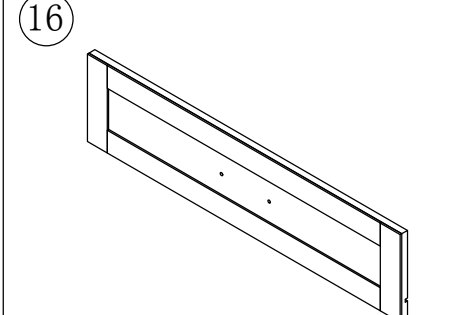
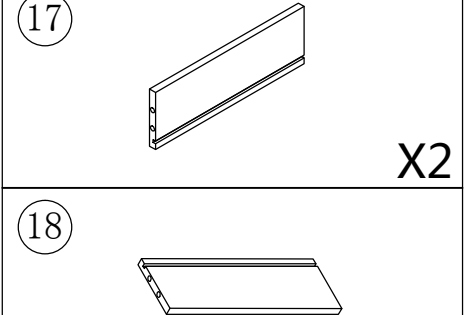
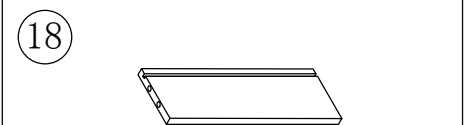
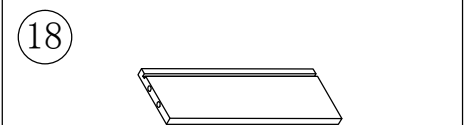


X2

ASSEMBLY INSTRUCTION

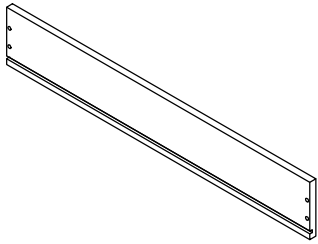
<div style="border: 1px solid black; padding: 2px; display: inline-block; margin-bottom: 5px;">A</div> ST6*40mm   ▽ 9.5 X88+5	<div style="border: 1px solid black; padding: 2px; display: inline-block; margin-bottom: 5px;">B</div> Ø6*35mm  X22+1	<div style="border: 1px solid black; padding: 2px; display: inline-block; margin-bottom: 5px;">C</div> ST5*40mm  X58+4	<div style="border: 1px solid black; padding: 2px; display: inline-block; margin-bottom: 5px;">D</div> ST3.5*12mm  X72+5
<div style="border: 1px solid black; padding: 2px; display: inline-block; margin-bottom: 5px;">E</div> M4*16mm  X14	<div style="border: 1px solid black; padding: 2px; display: inline-block; margin-bottom: 5px;">F</div>  X5	<div style="border: 1px solid black; padding: 2px; display: inline-block; margin-bottom: 5px;">G</div>  X4	<div style="border: 1px solid black; padding: 2px; display: inline-block; margin-bottom: 5px;">H</div> ST3.5*14mm  X18
<div style="border: 1px solid black; padding: 2px; display: inline-block; margin-bottom: 5px;">I</div>  X12	<div style="border: 1px solid black; padding: 2px; display: inline-block; margin-bottom: 5px;">J</div>   X2	12"  X9	 → 88 X1
 X1	 3# X1		

ASSEMBLY INSTRUCTION

<p>①</p>  <p>X1</p>	<p>②</p>  <p>X1</p>	<p>③</p>  <p>X1</p>
<p>④</p>  <p>X1</p>	<p>⑥</p>  <p>X2</p>	<p>⑦</p>  <p>X1</p>
<p>⑤</p>  <p>X1</p>	<p>⑨</p>  <p>X1</p>	<p>⑩</p>  <p>X1</p>
<p>⑧</p>  <p>X1</p>	<p>⑪</p>  <p>X1</p>	<p>⑬</p>  <p>X1</p>
<p>⑫</p>  <p>X1</p>	<p>⑮</p>  <p>X2</p>	<p>⑭</p>  <p>X1</p> <p>⑰</p>  <p>X2</p> <p>⑱</p>  <p>X2</p>

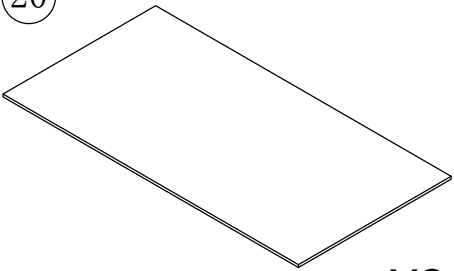
ASSEMBLY INSTRUCTION

19



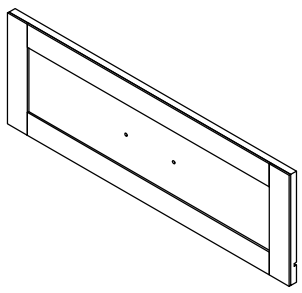
X2

20



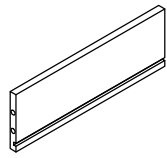
X2

21



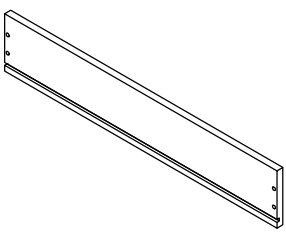
X3

22



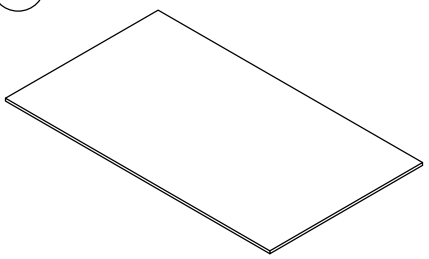
X3

24



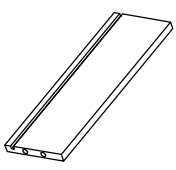
X3

25



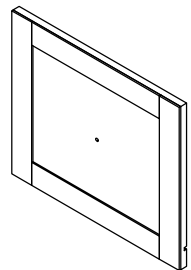
X3

23



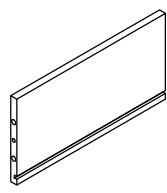
X3

26



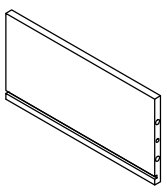
X4

27



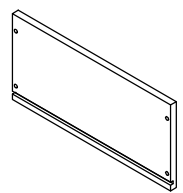
X4

28



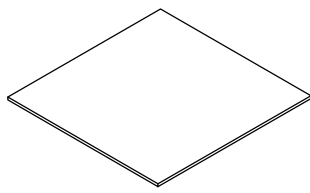
X4

29



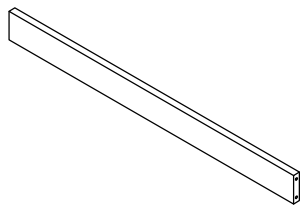
X4

30



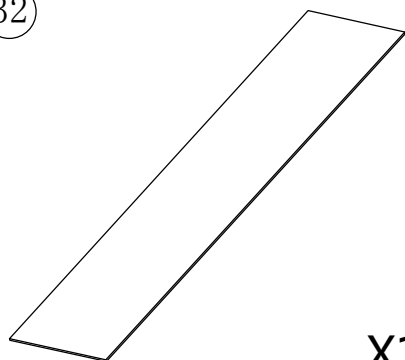
X4

31



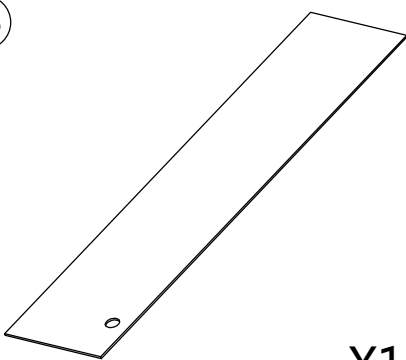
X1

32



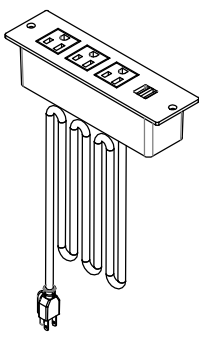
X1

33



X1

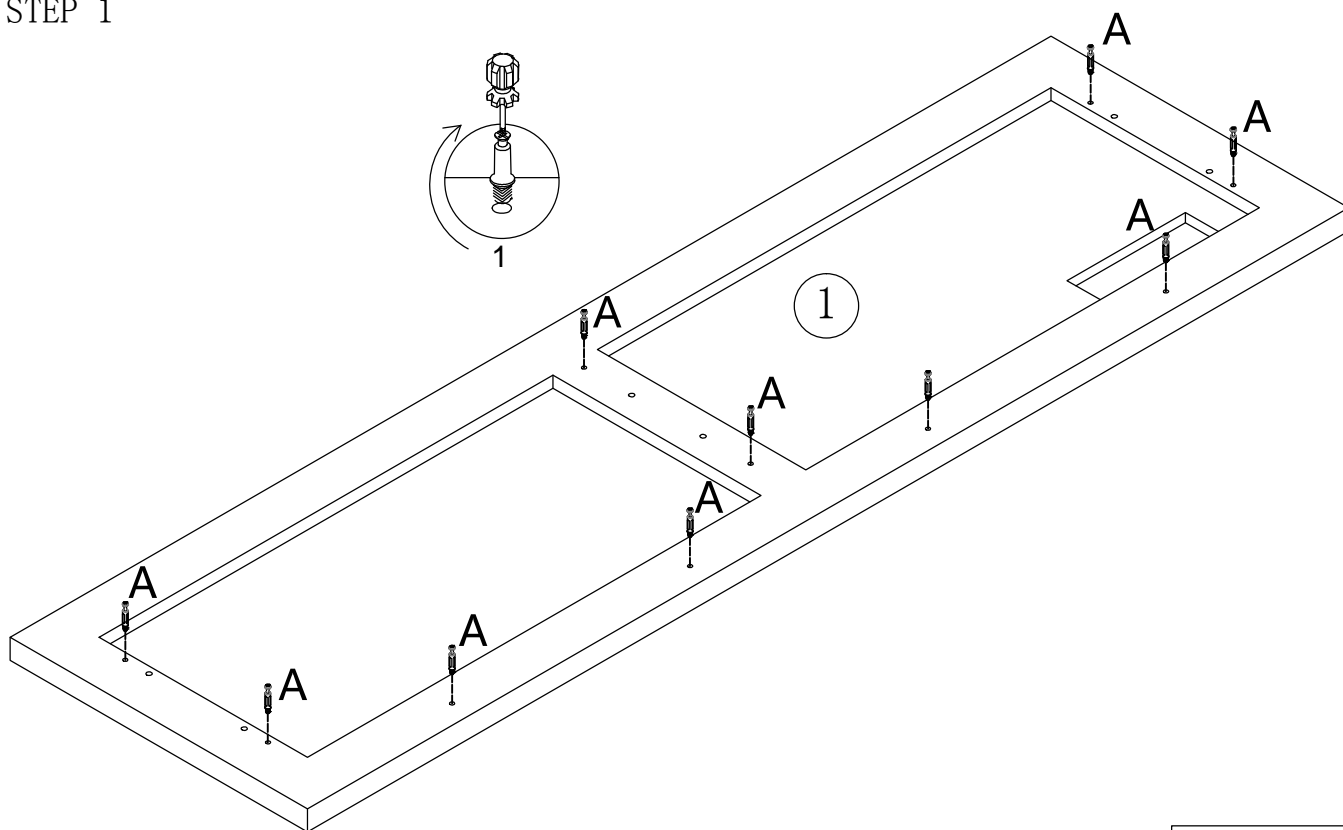
34



X1

ASSEMBLY INSTRUCTION

STEP 1

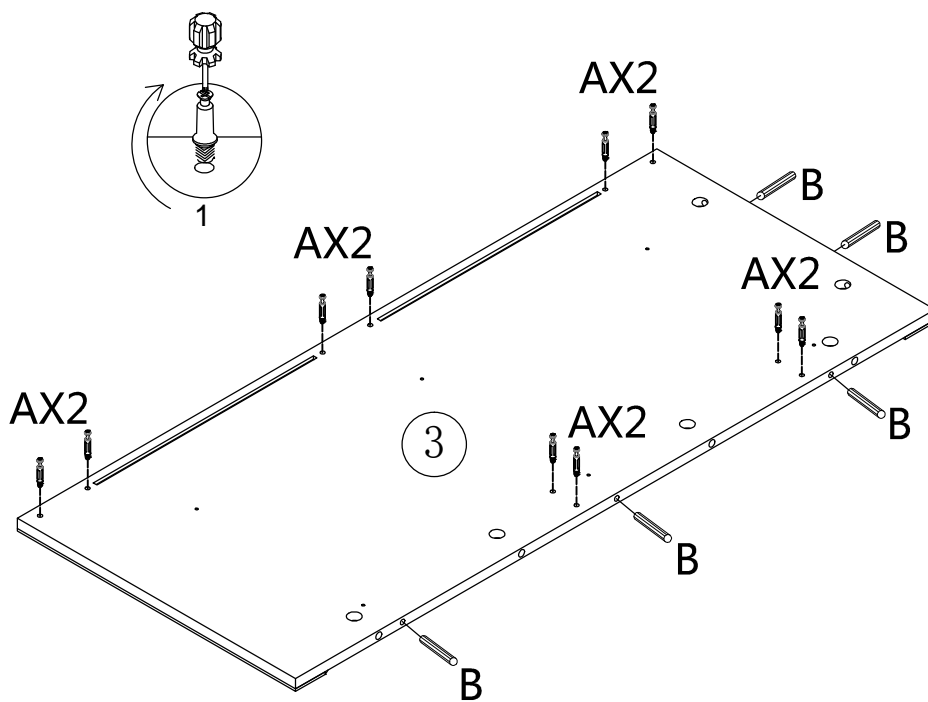


A ST6*40



X10

STEP 2

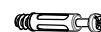


B M6*35



X5

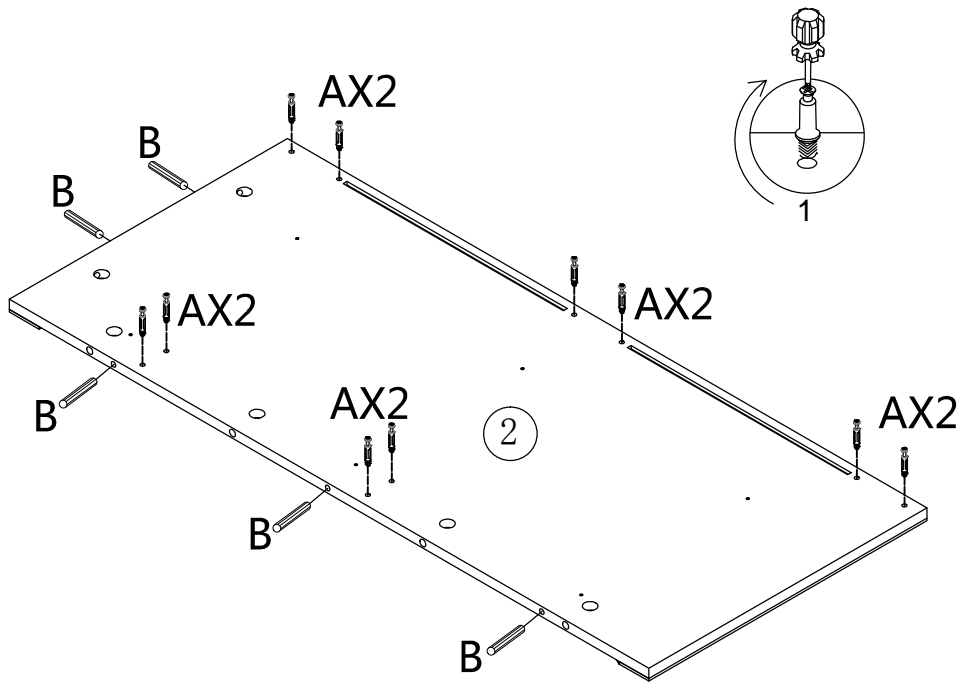
A ST6*40





X10

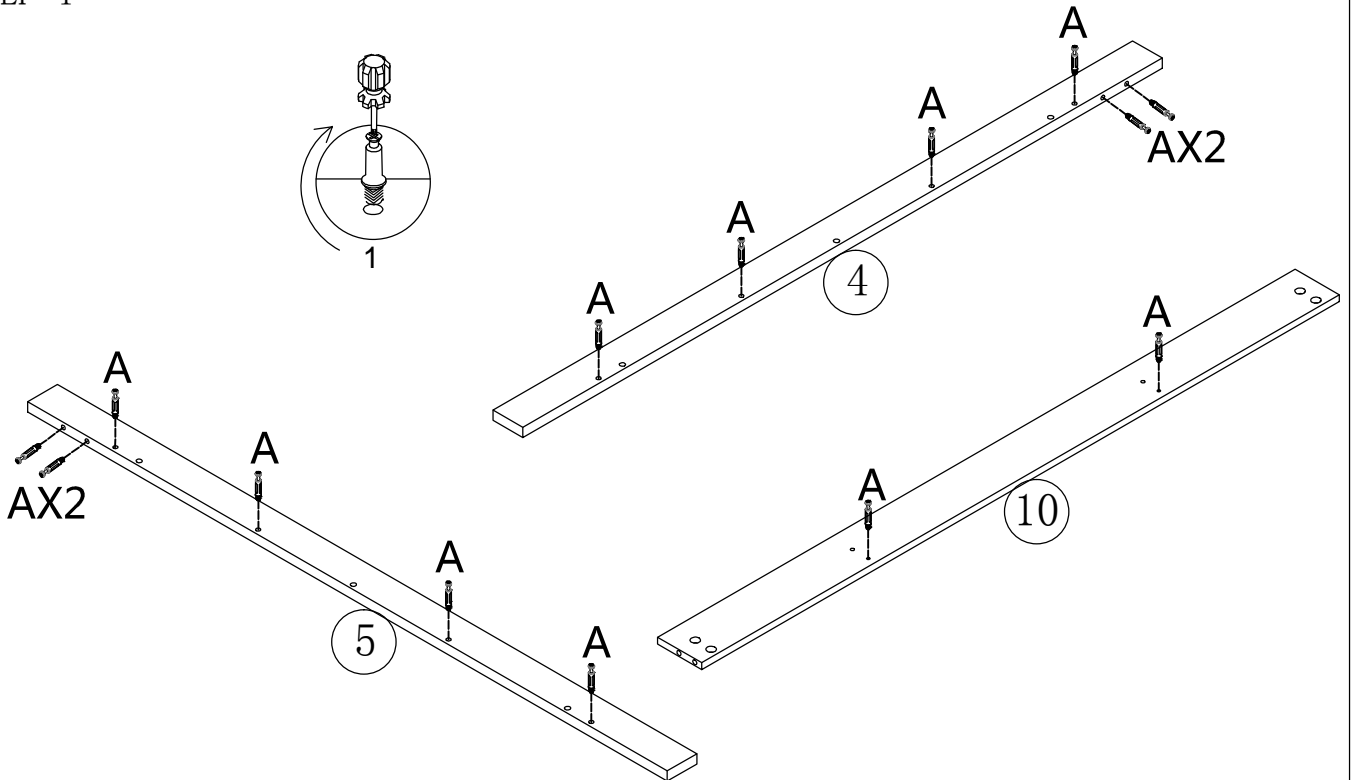
ASSEMBLY INSTRUCTION


STEP 3



B	M6*35
	X5
A	ST6*40
	X10

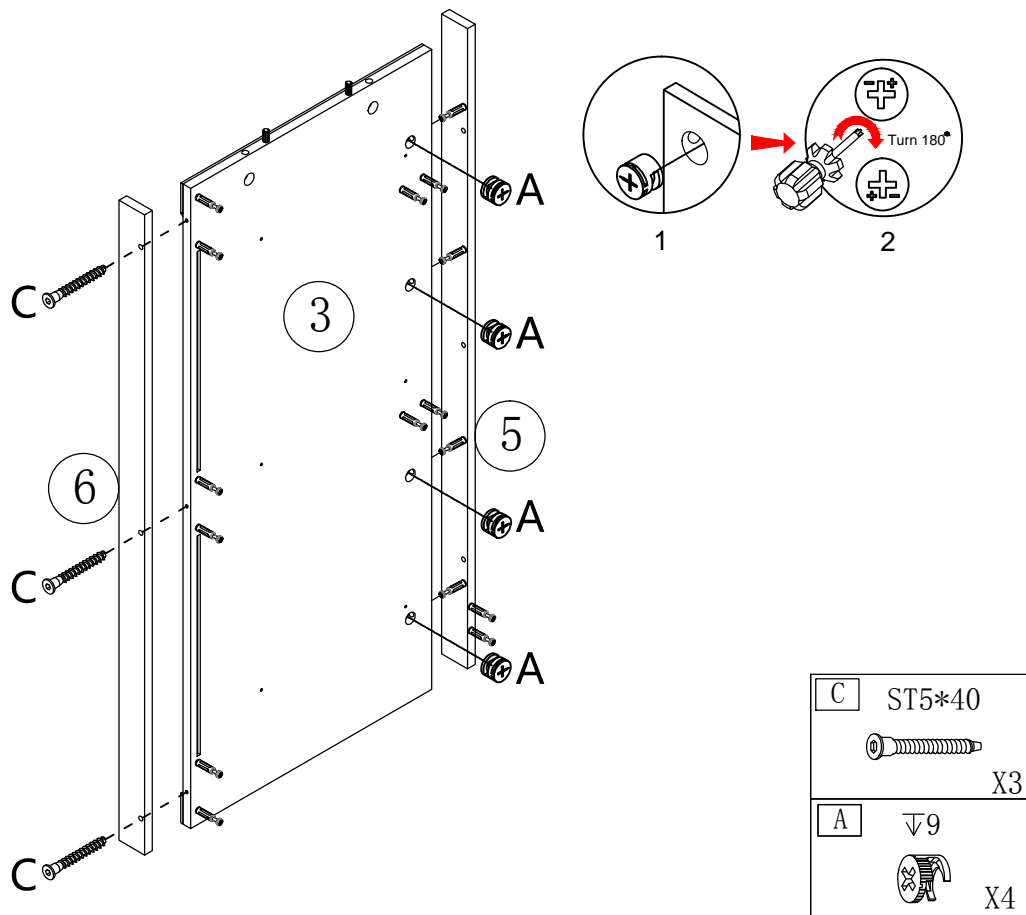
STEP 4



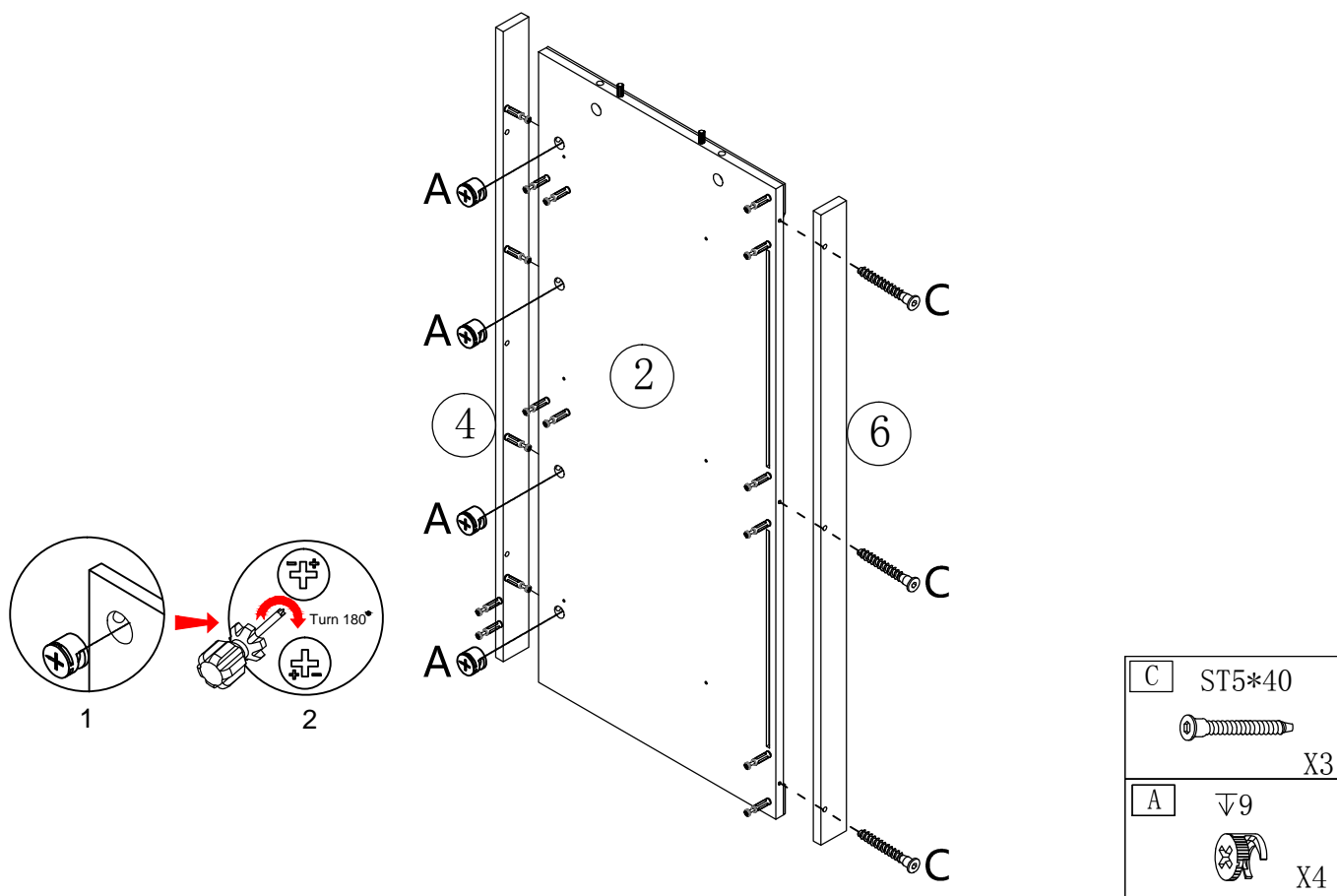
A	ST6*40
	X14

ASSEMBLY INSTRUCTION

STEP 5

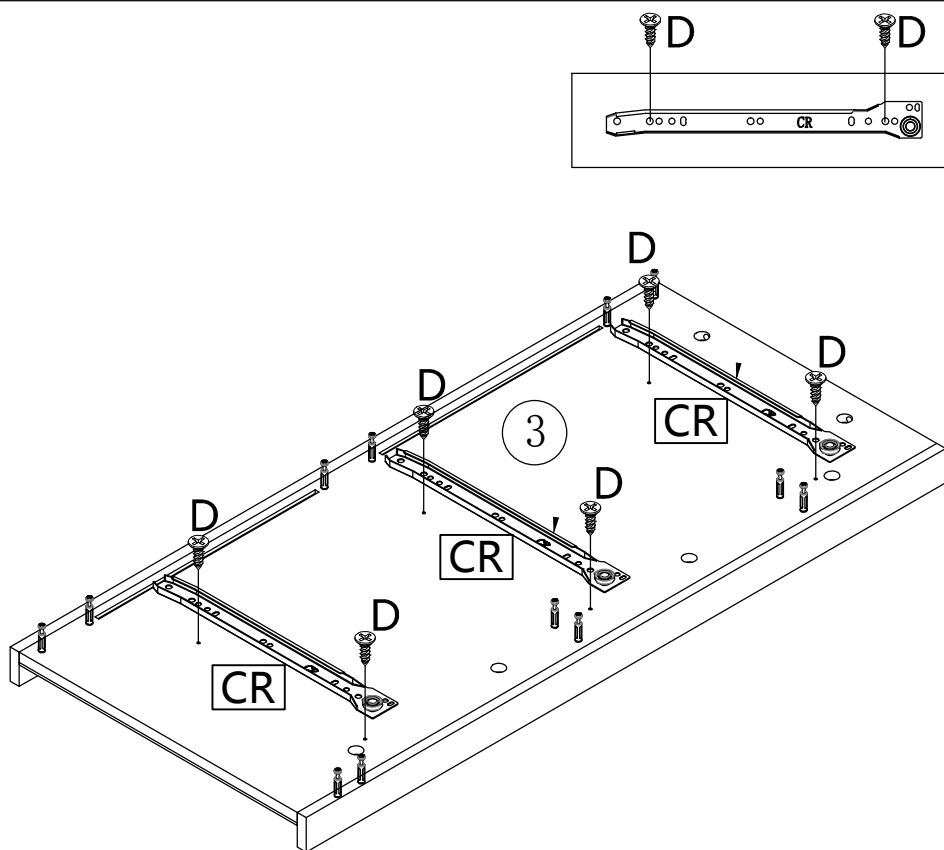




STEP 6



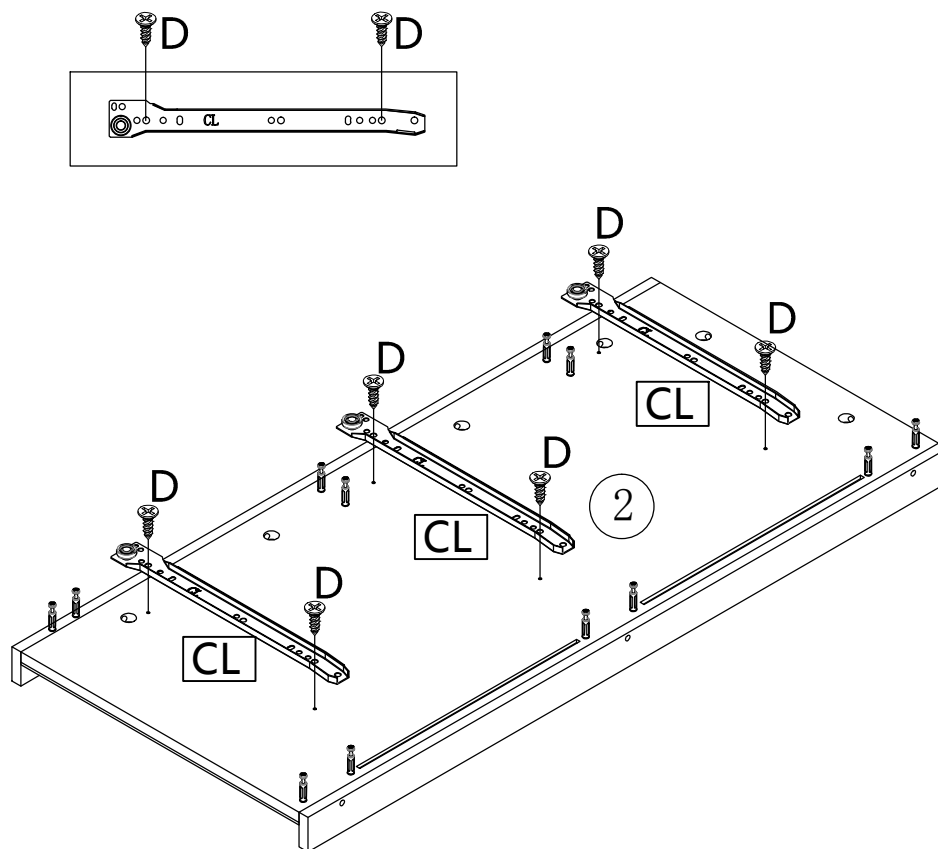
ASSEMBLY INSTRUCTION

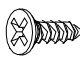

STEP 7



D	ST3. 5*12
	 X6
CR	12"
	 X3

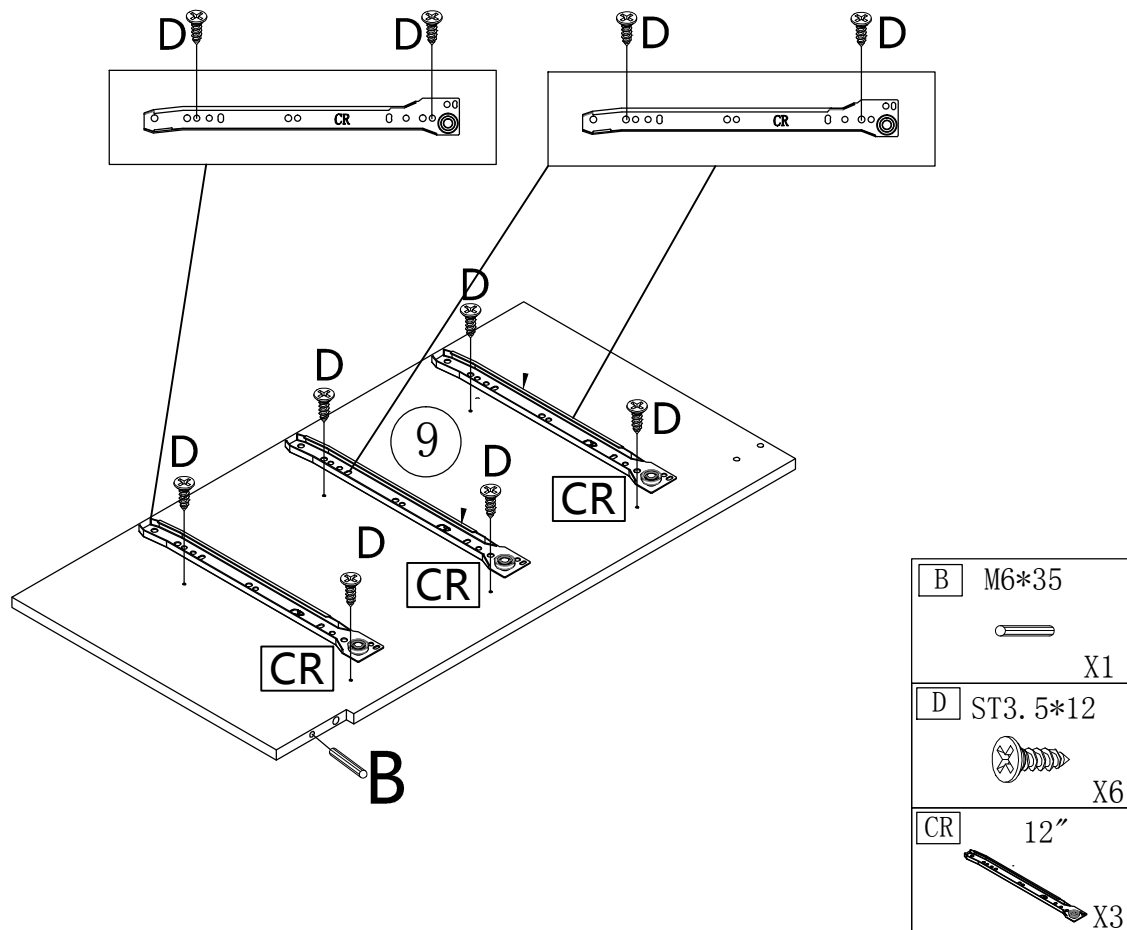
STEP 8



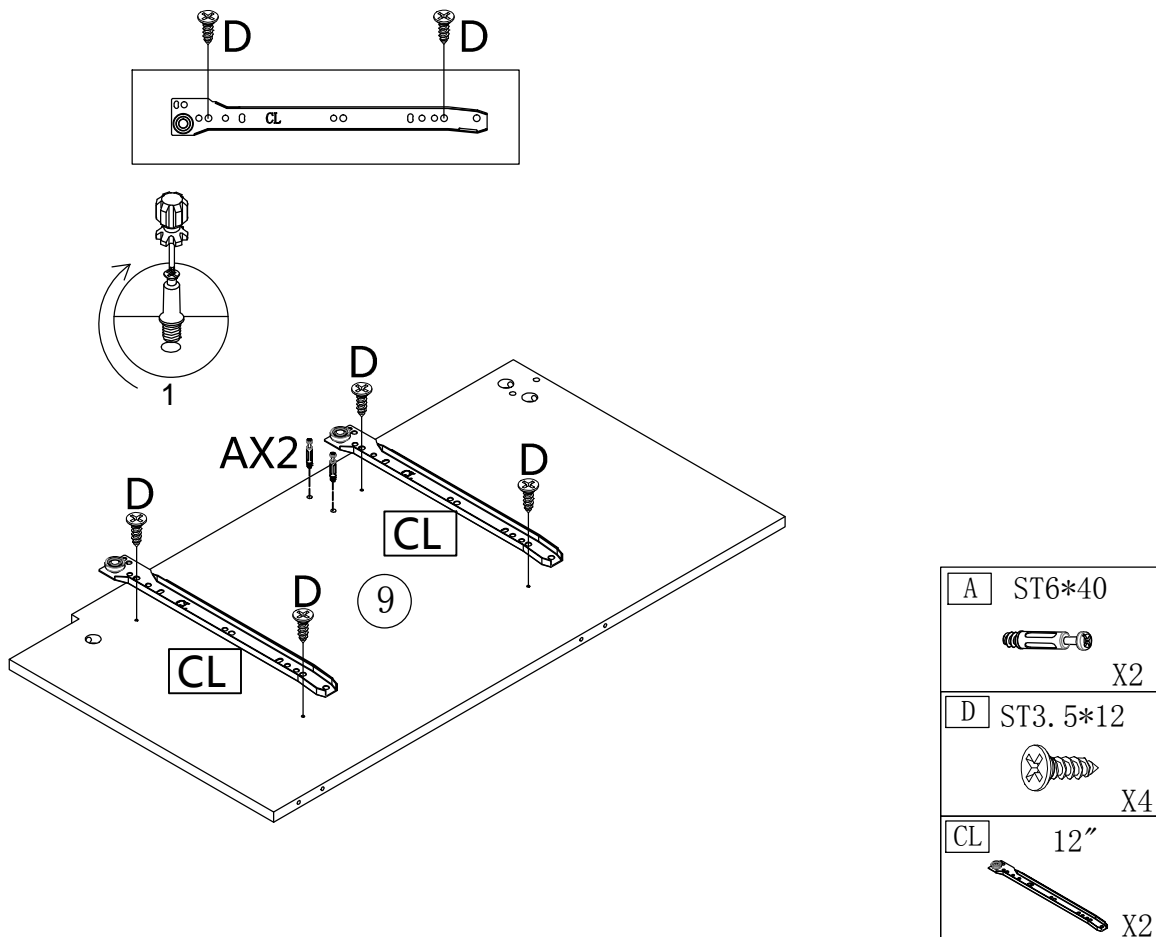
D	ST3. 5*12
	 X6
CL	12"
	 X3

ASSEMBLY INSTRUCTION

STEP 9

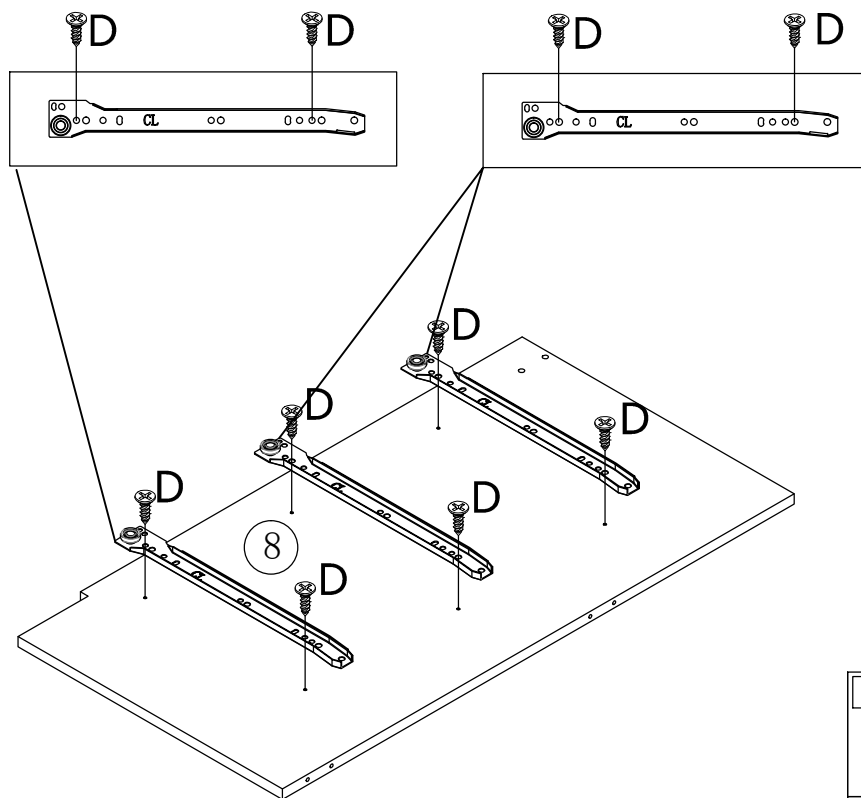




STEP 10



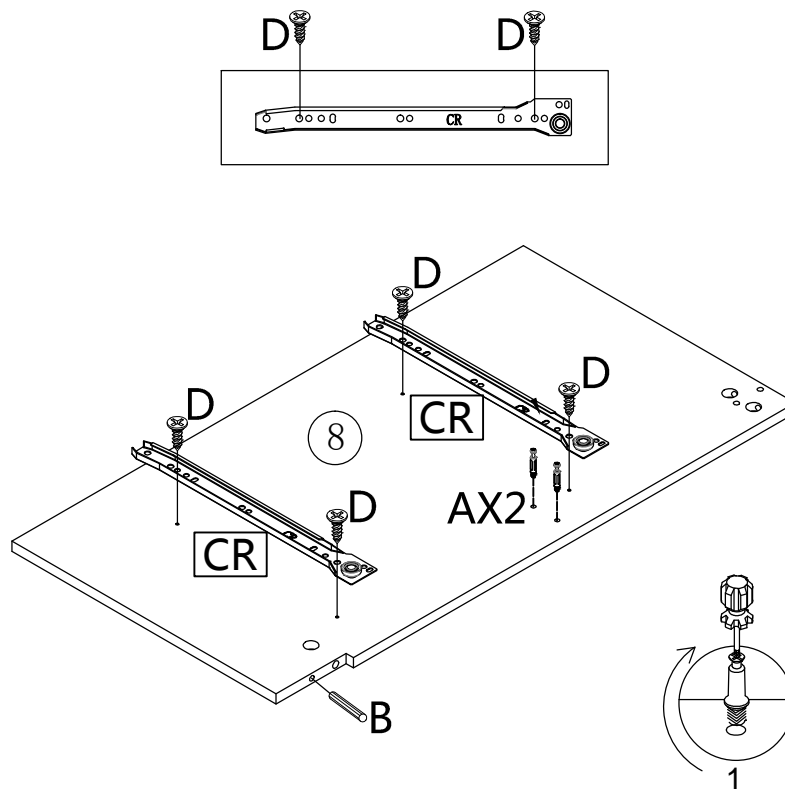
ASSEMBLY INSTRUCTION





STEP 11



D	ST3. 5*12
	X6
CL	12"
	X3

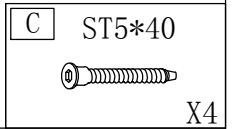
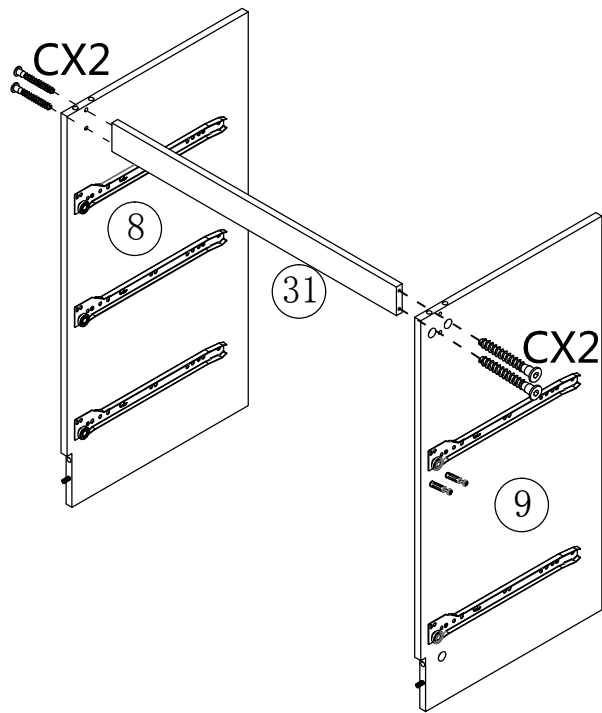
STEP 12



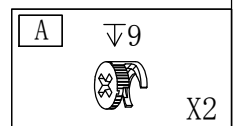
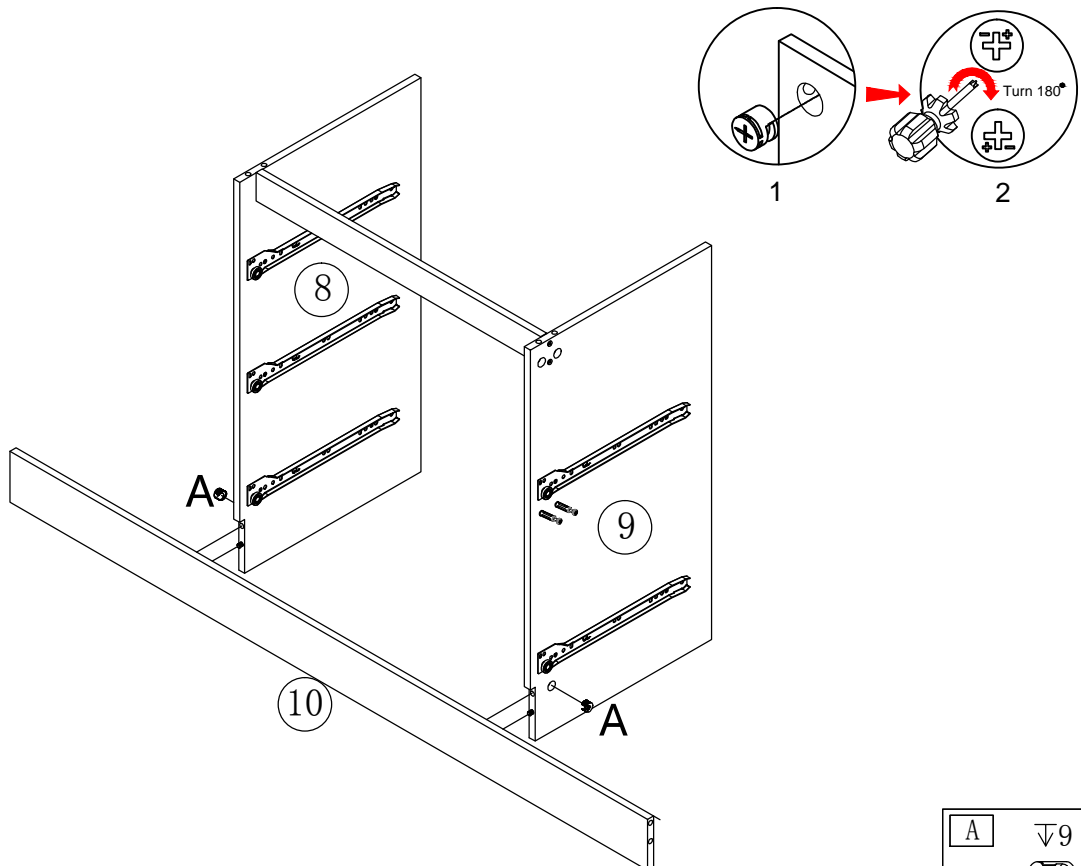
A	ST6*40
	X2
B	M6*35
	X1
D	ST3. 5*12
	X4
CR	12"
	X2

ASSEMBLY INSTRUCTION

STEP 13

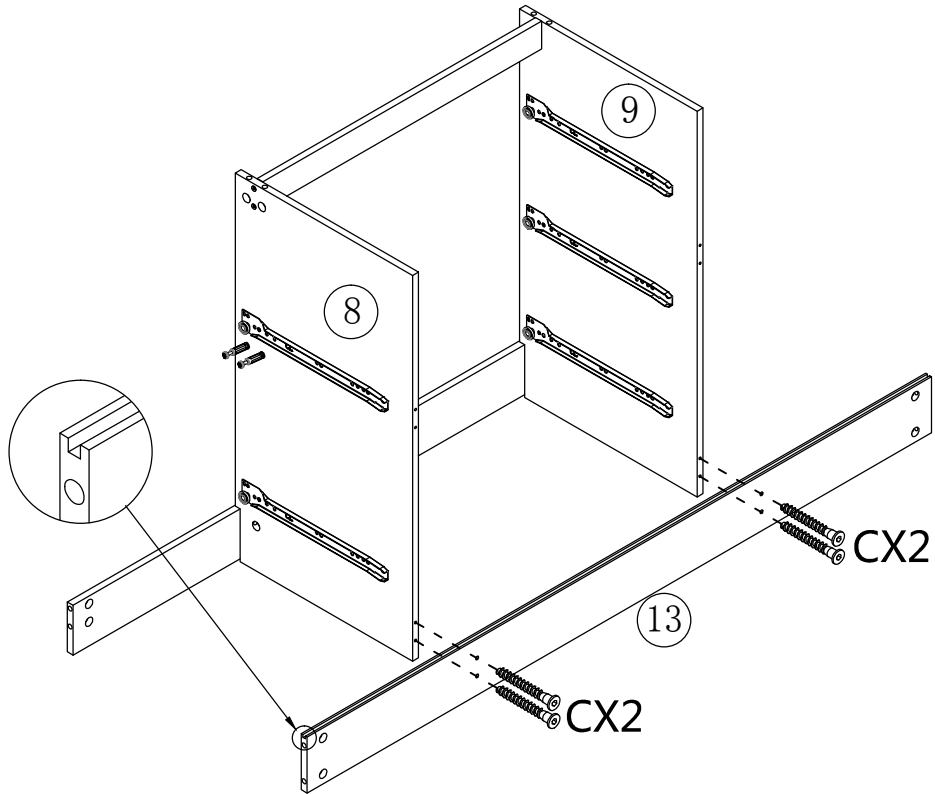


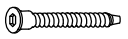
STEP 14



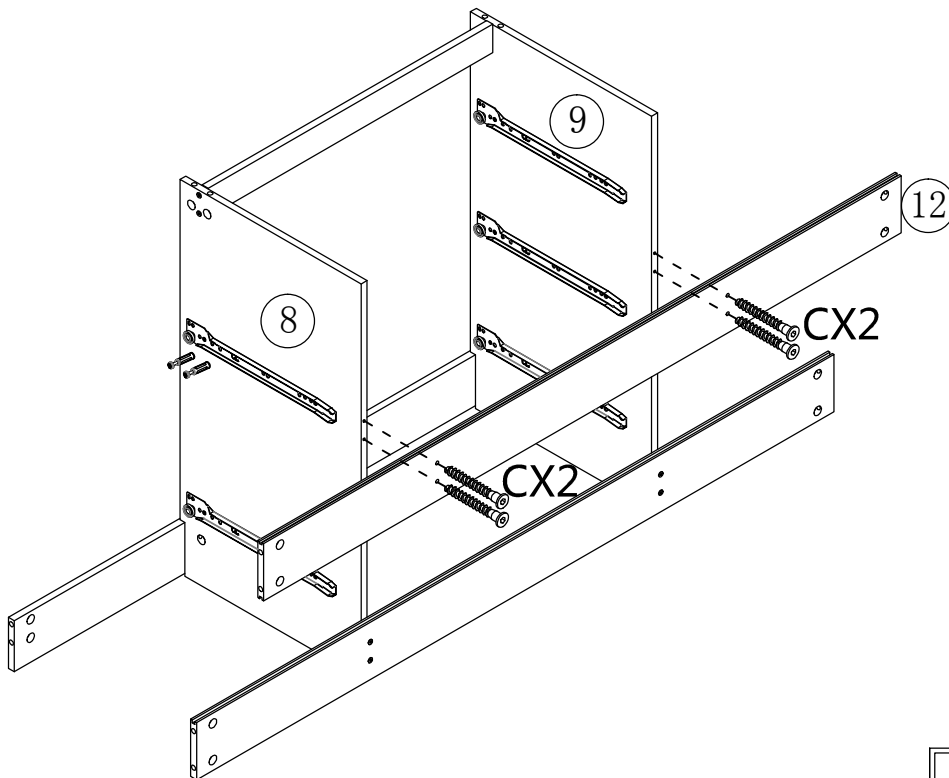
ASSEMBLY INSTRUCTION


STEP 15



C ST5*40

X4

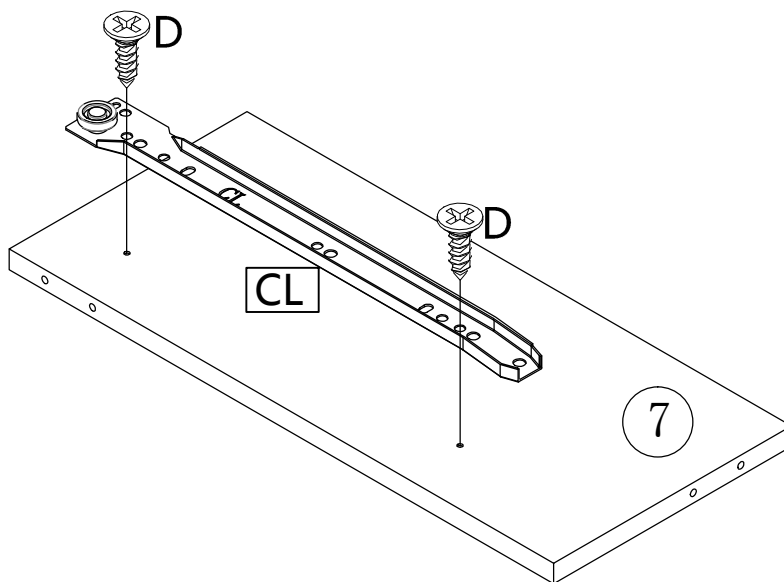
STEP 16





C ST5*40

X4

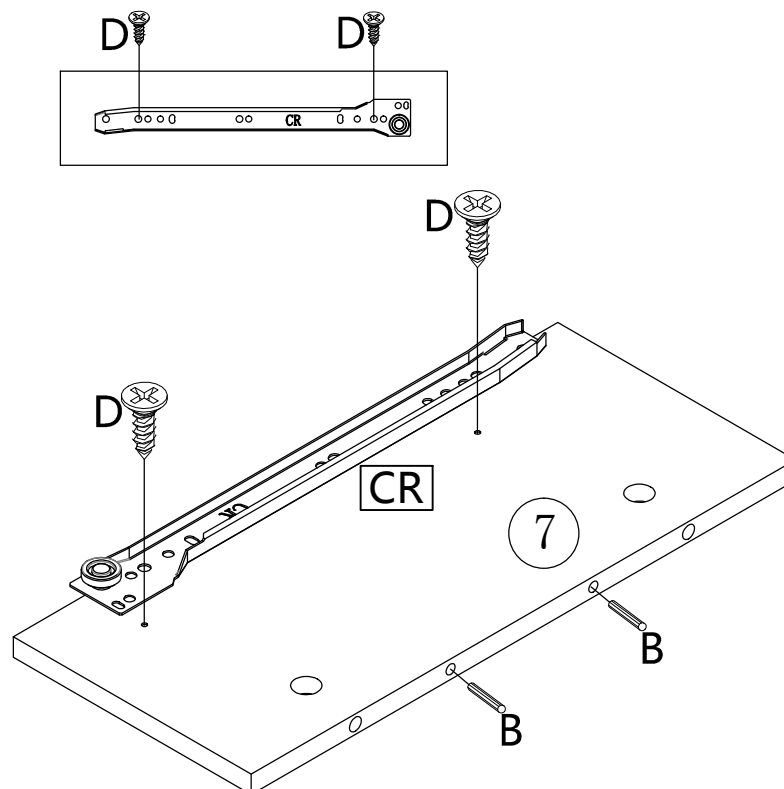
ASSEMBLY INSTRUCTION


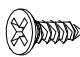

STEP 17



D	ST3. 5*12
	
	X2
CL	12"
	
	X1

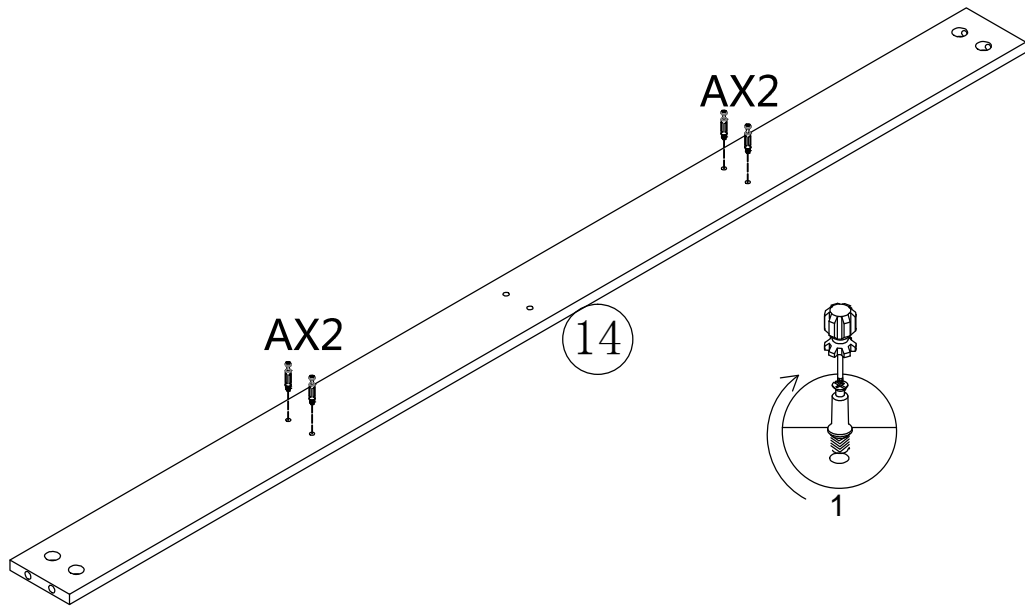
STEP 18



B	M6*35
	
	X2
D	ST3. 5*12
	
	X2
CR	12"
	
	X1

ASSEMBLY INSTRUCTION

STEP 19

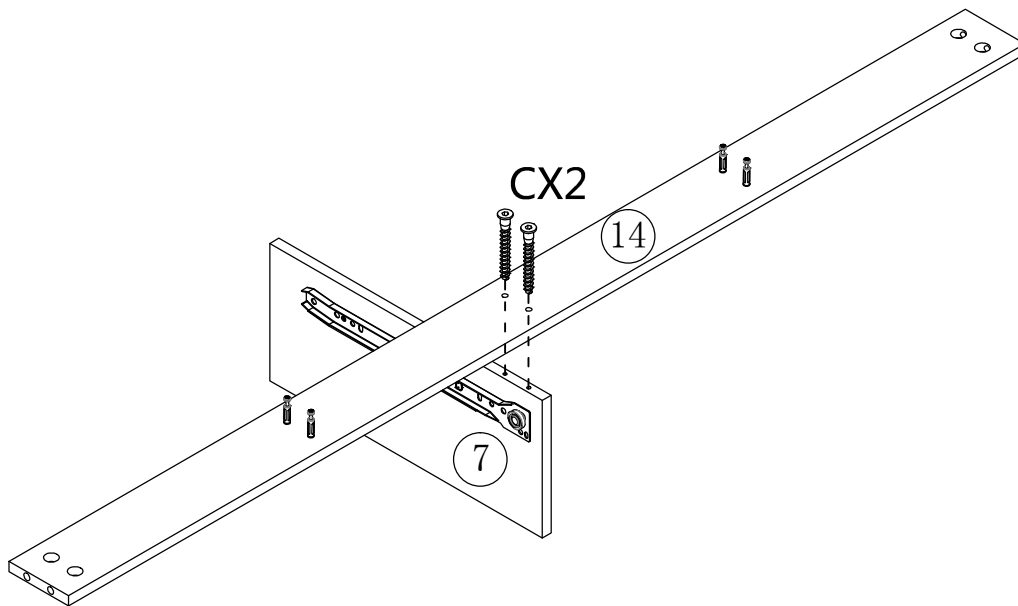


A ST6*40

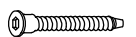


X4

STEP 20



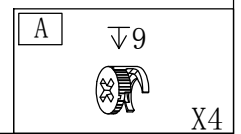
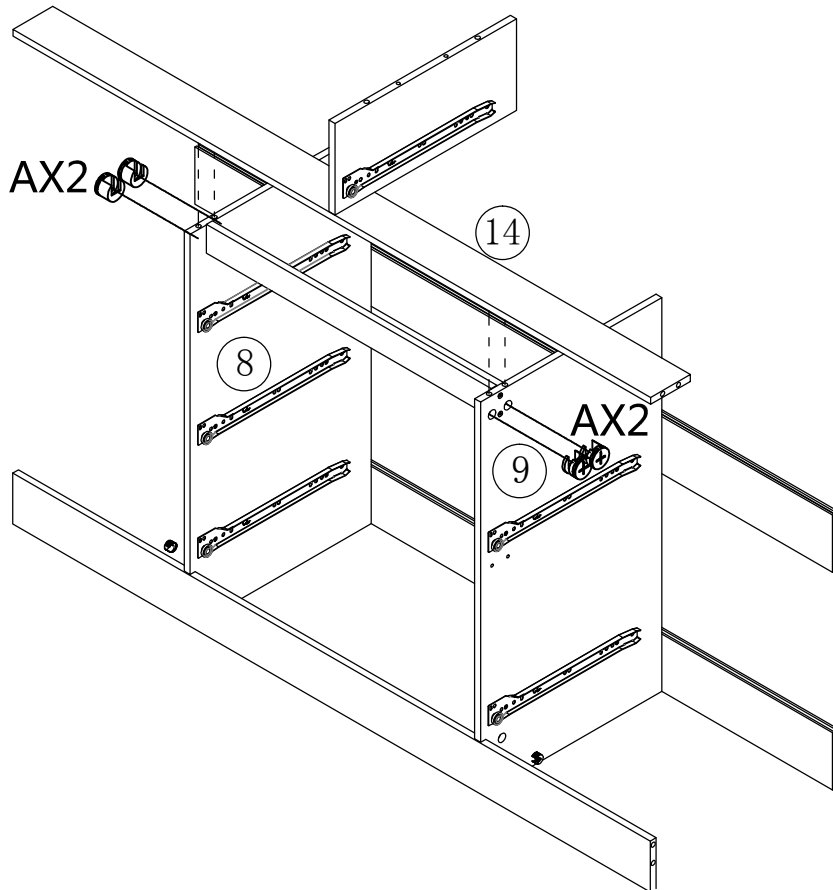
C ST5*40



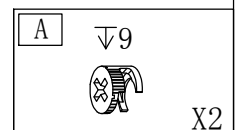
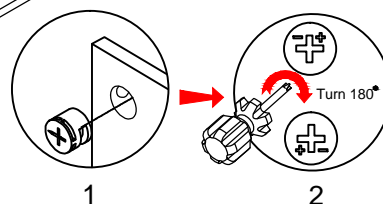
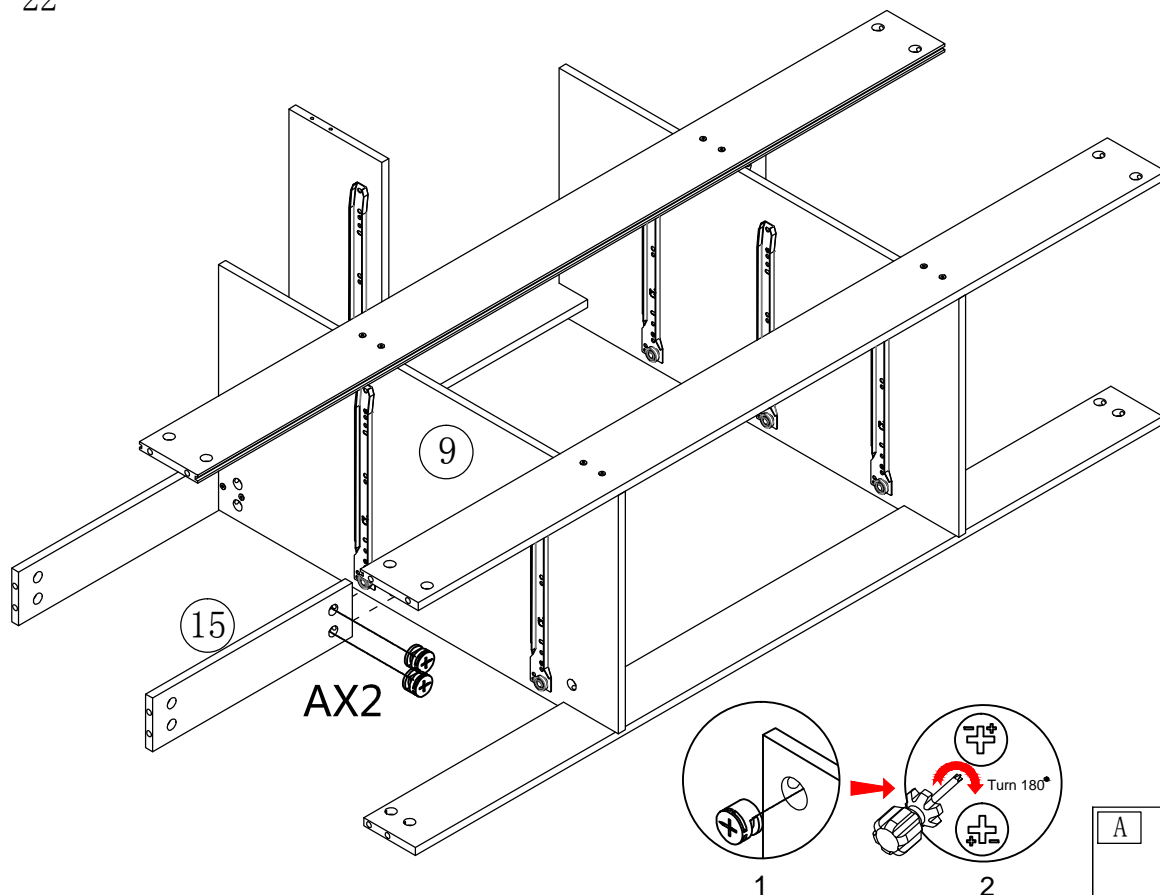
X2

ASSEMBLY INSTRUCTION

STEP 21

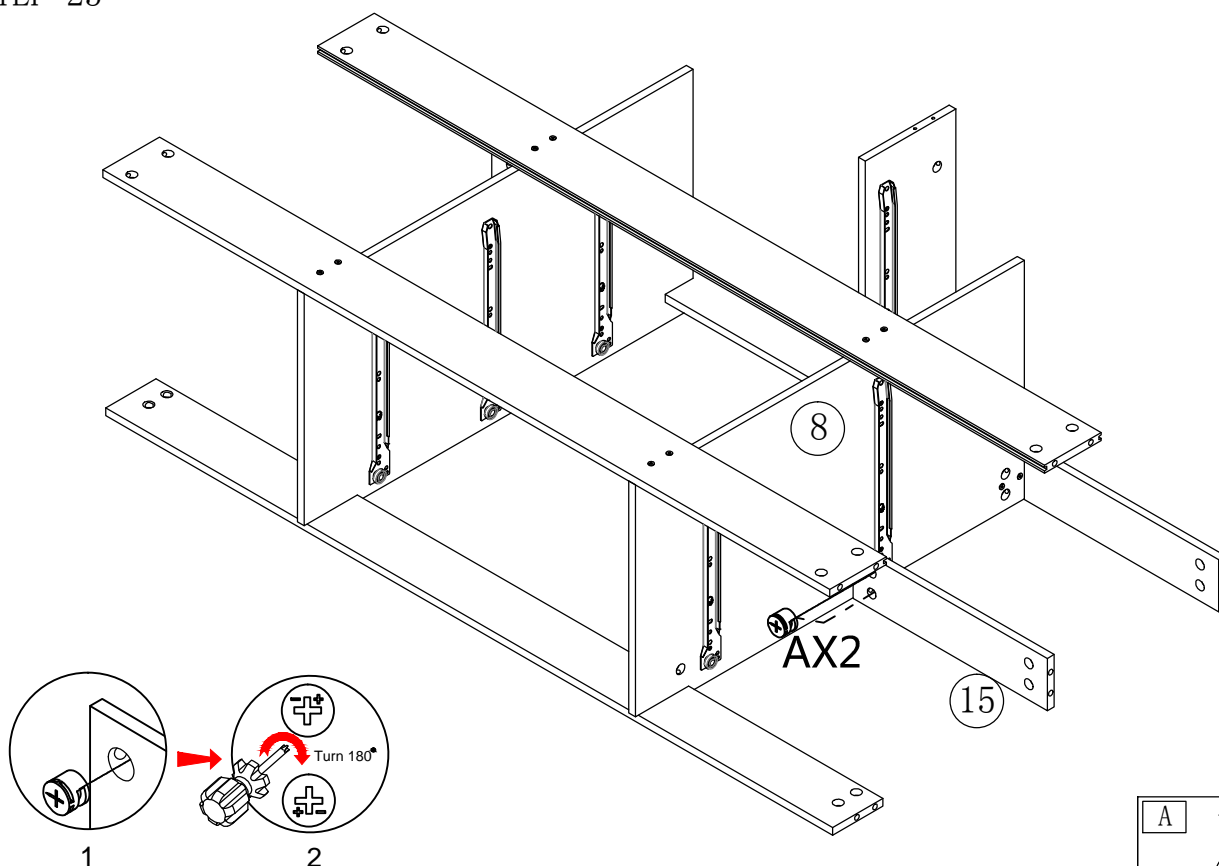


STEP 22

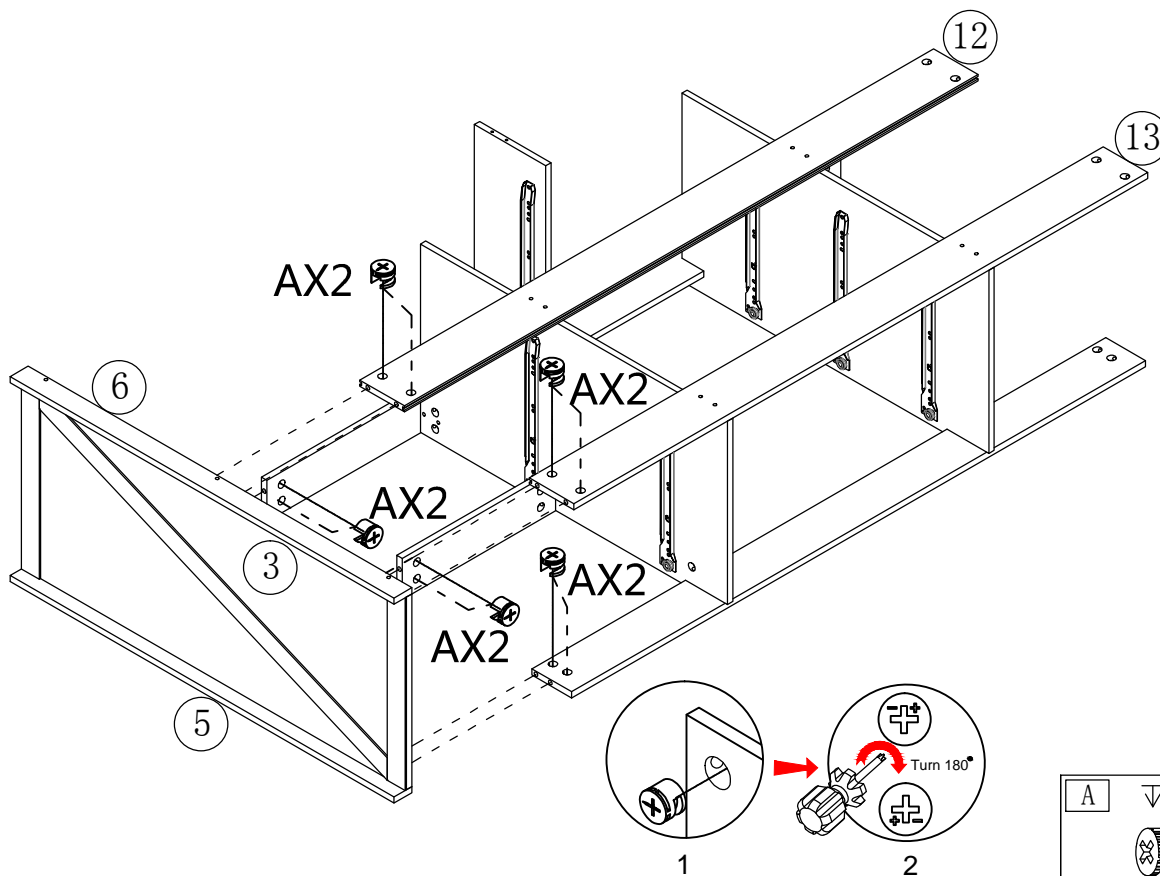


ASSEMBLY INSTRUCTION

STEP 23

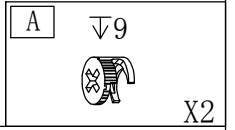
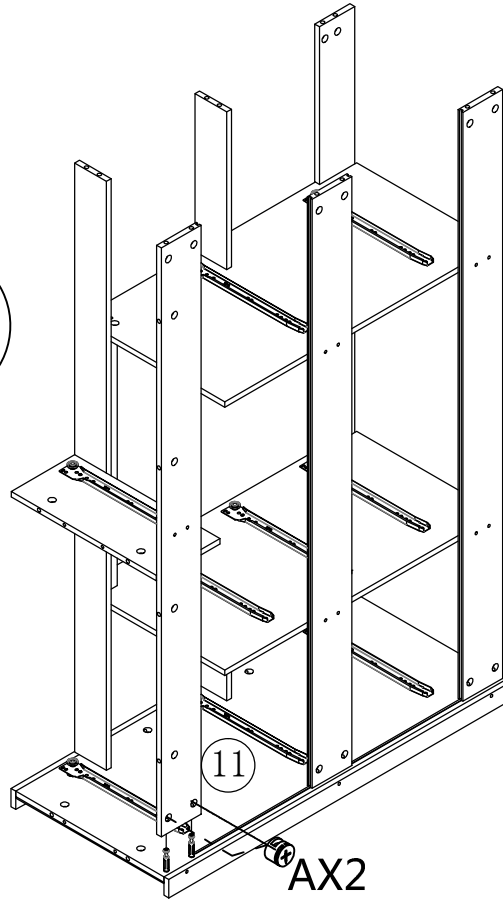
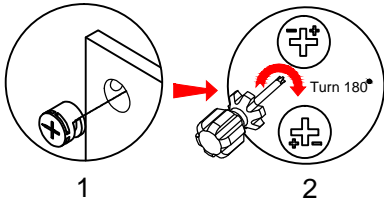


STEP 24

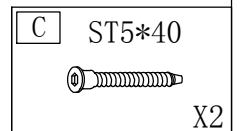
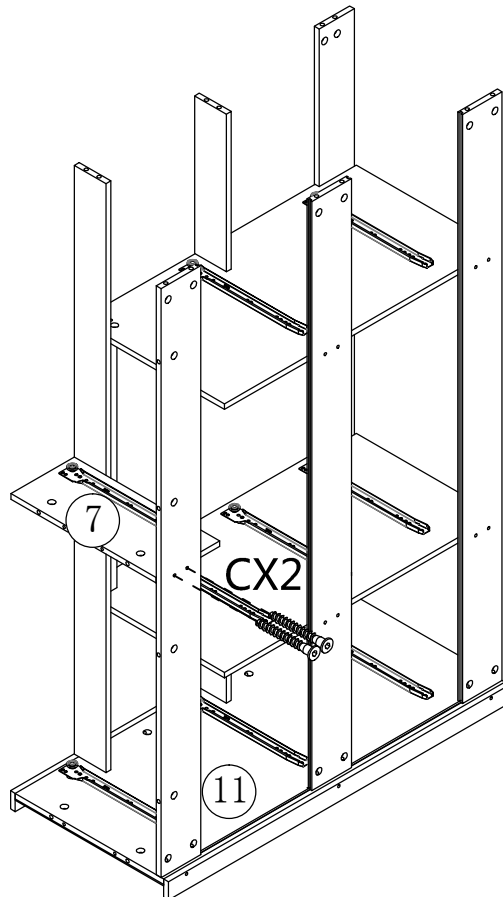


ASSEMBLY INSTRUCTION

STEP 25

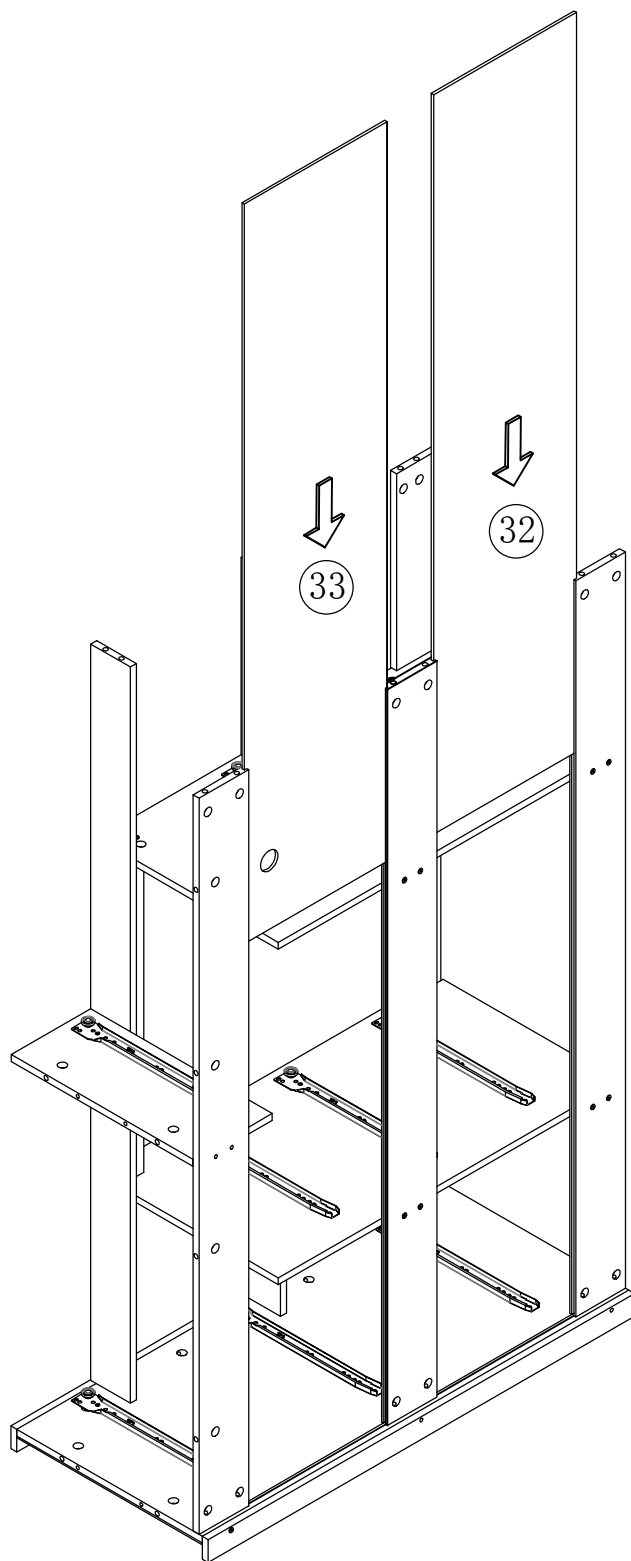


STEP 26



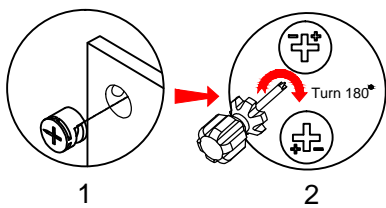
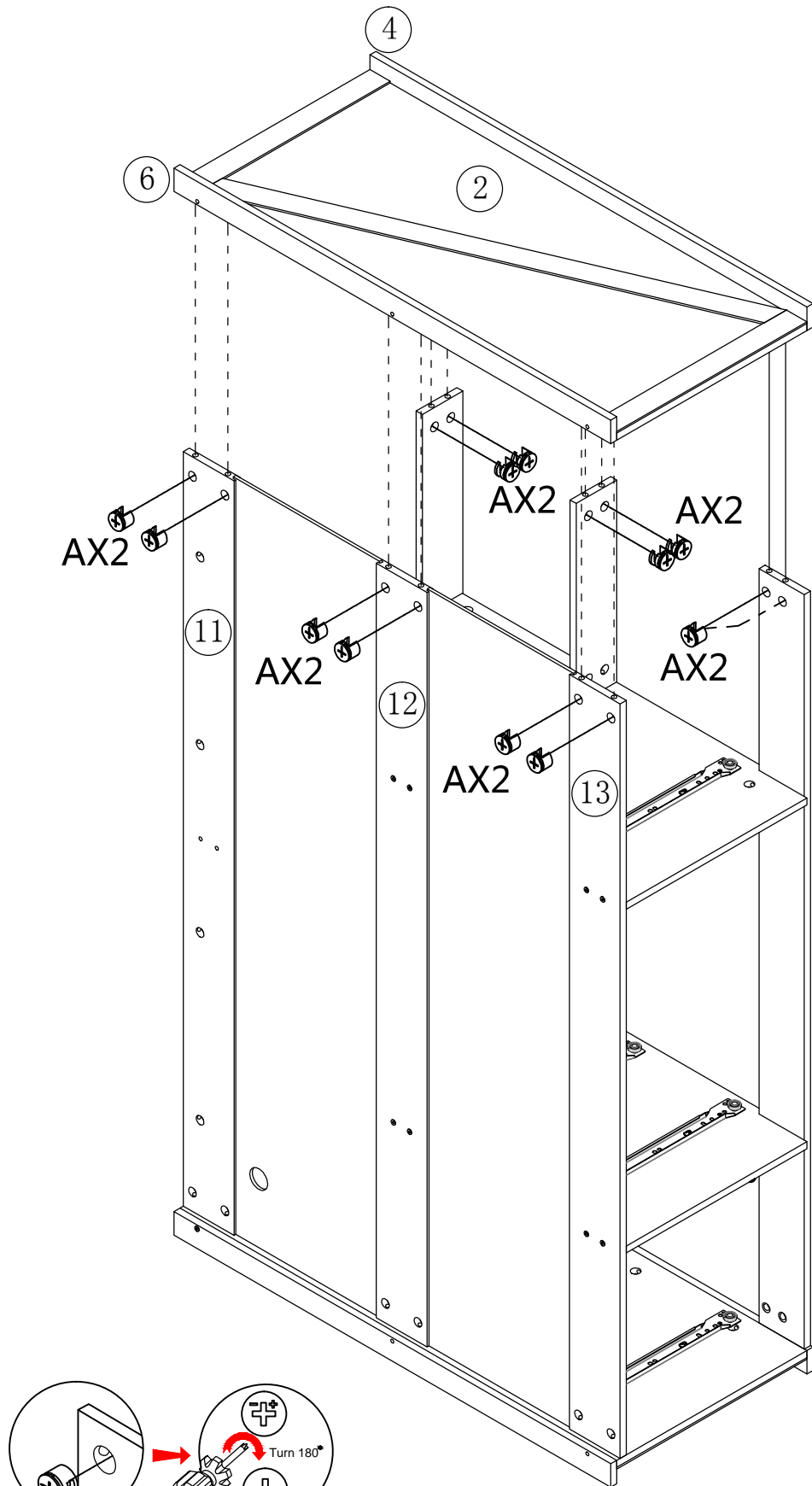
ASSEMBLY INSTRUCTION


STEP 27



ASSEMBLY INSTRUCTION

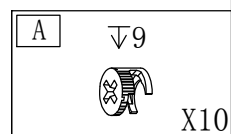
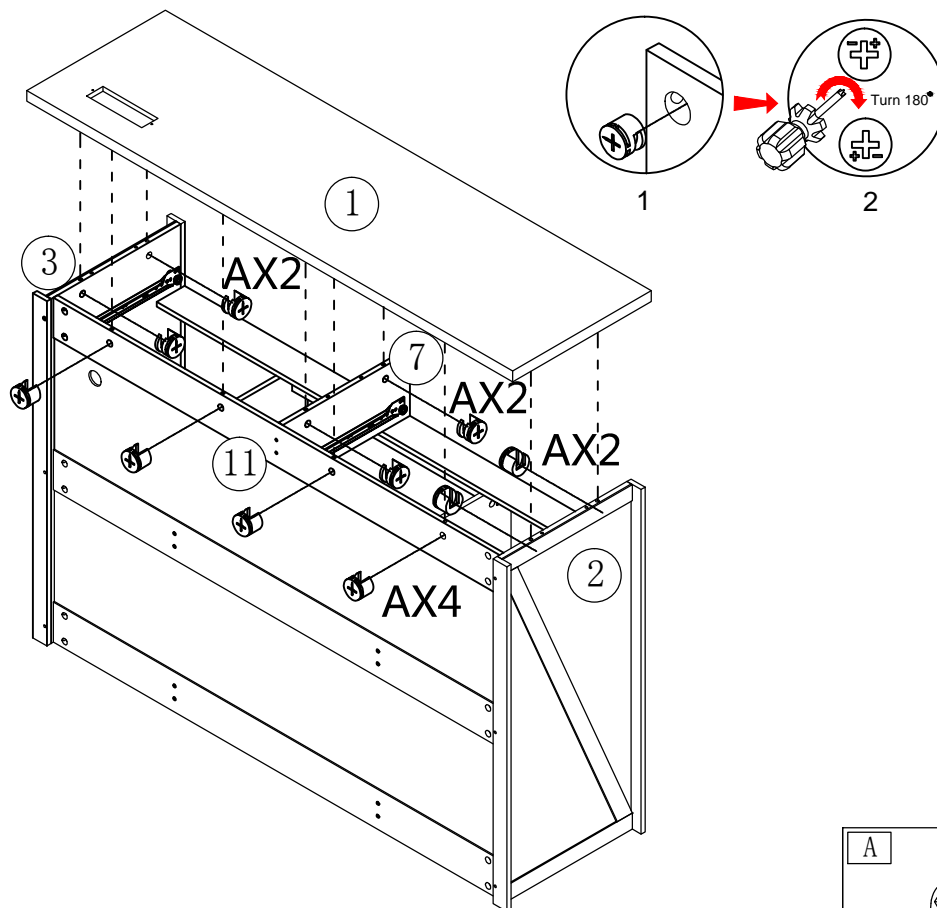
STEP 28



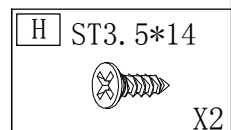
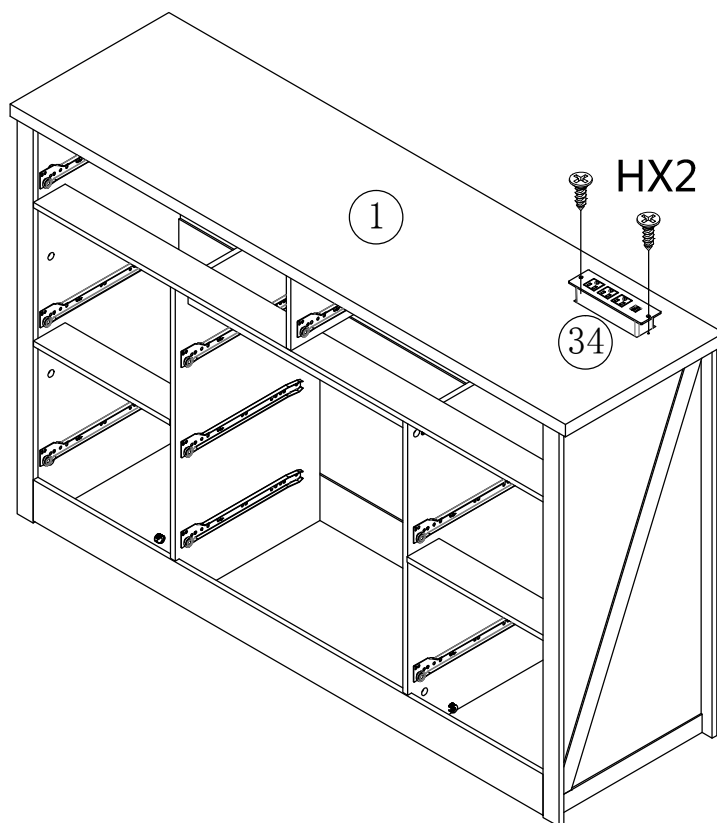
A	▽9
	
	X12

ASSEMBLY INSTRUCTION

STEP 29



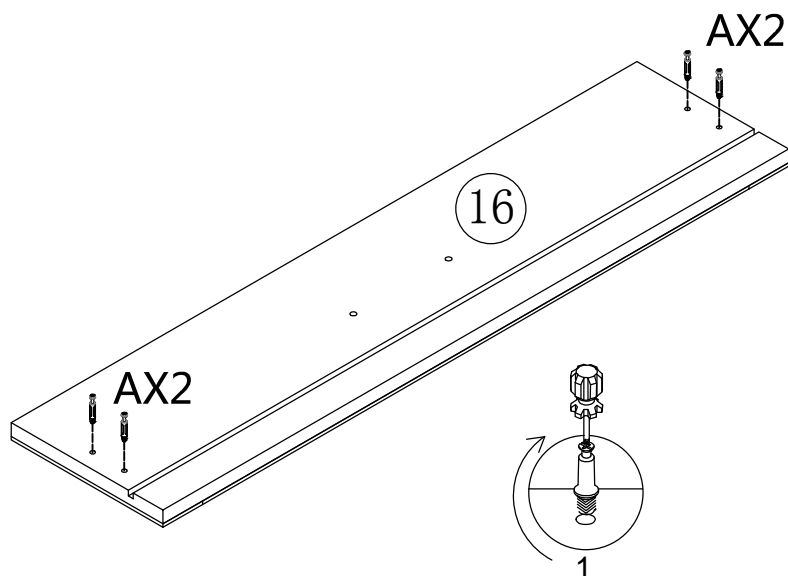
STEP 30



ASSEMBLY INSTRUCTION

STEP 31

X2



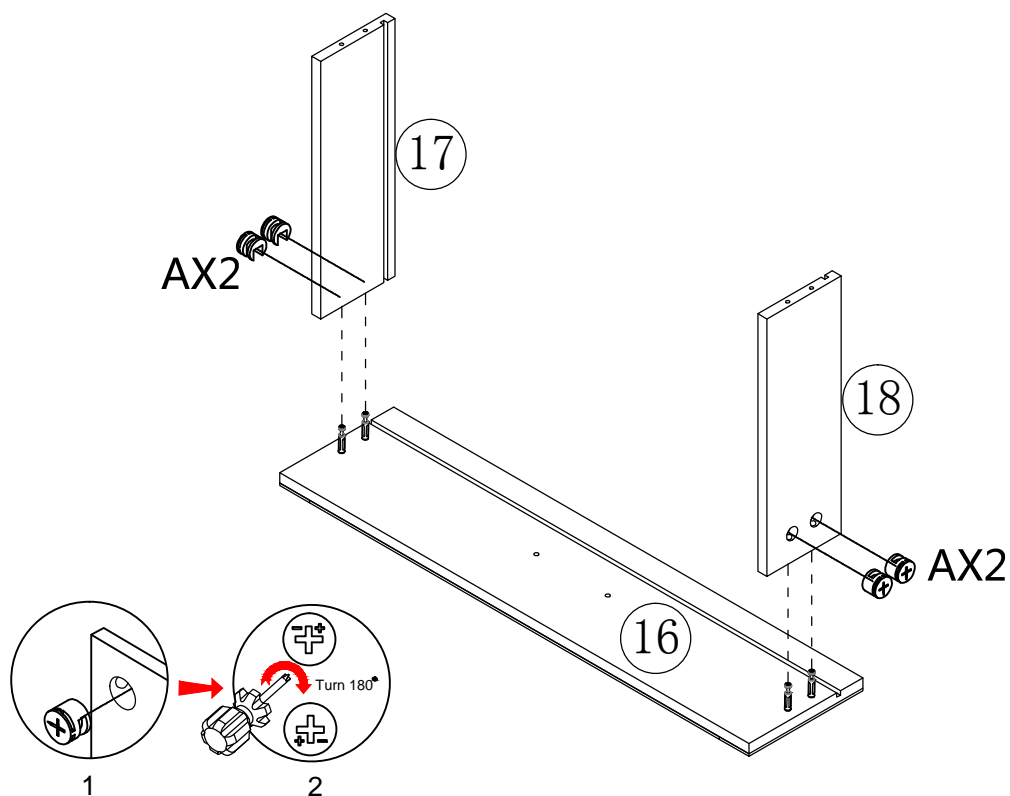
A ST6*40



X8

STEP 32

X2



A ∇9

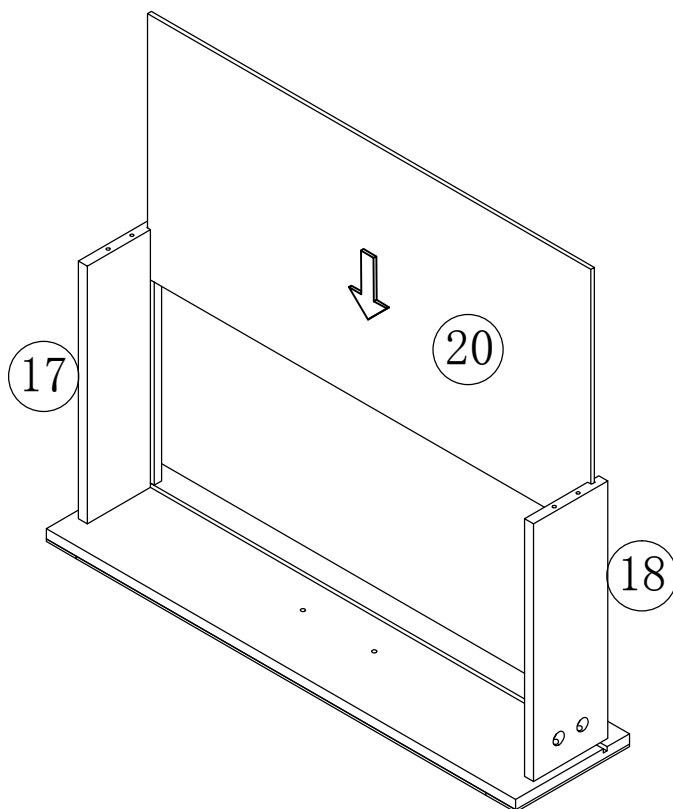


X8

ASSEMBLY INSTRUCTION

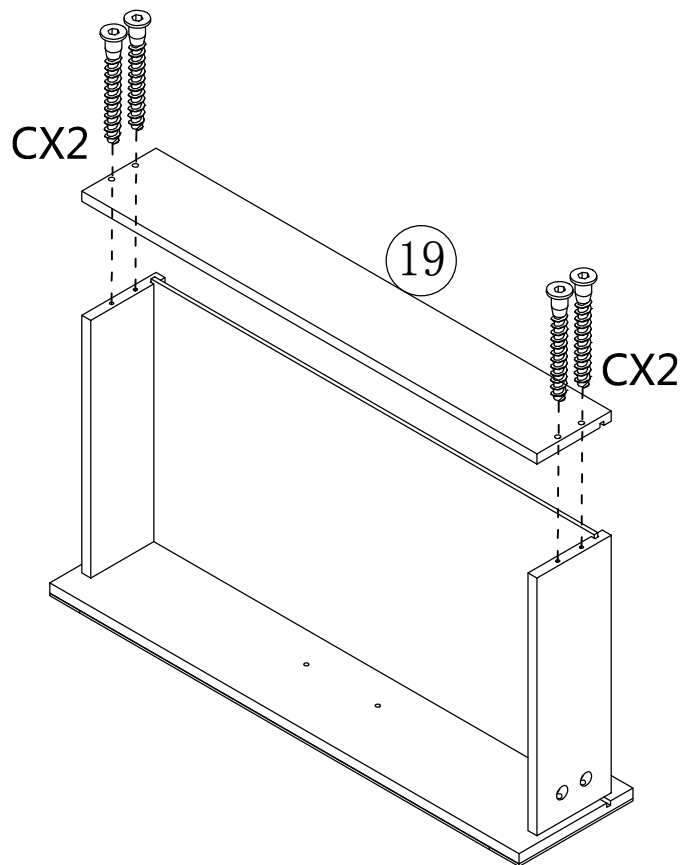
STEP 33


X2



STEP 34

X2

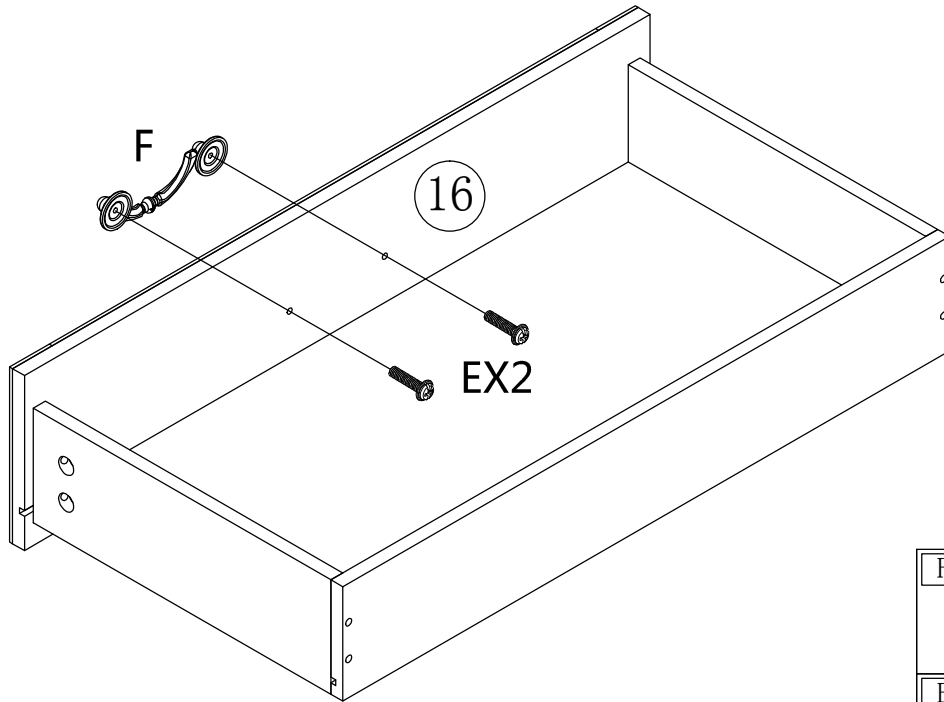




C	ST5*40
	X8

ASSEMBLY INSTRUCTION

STEP 35

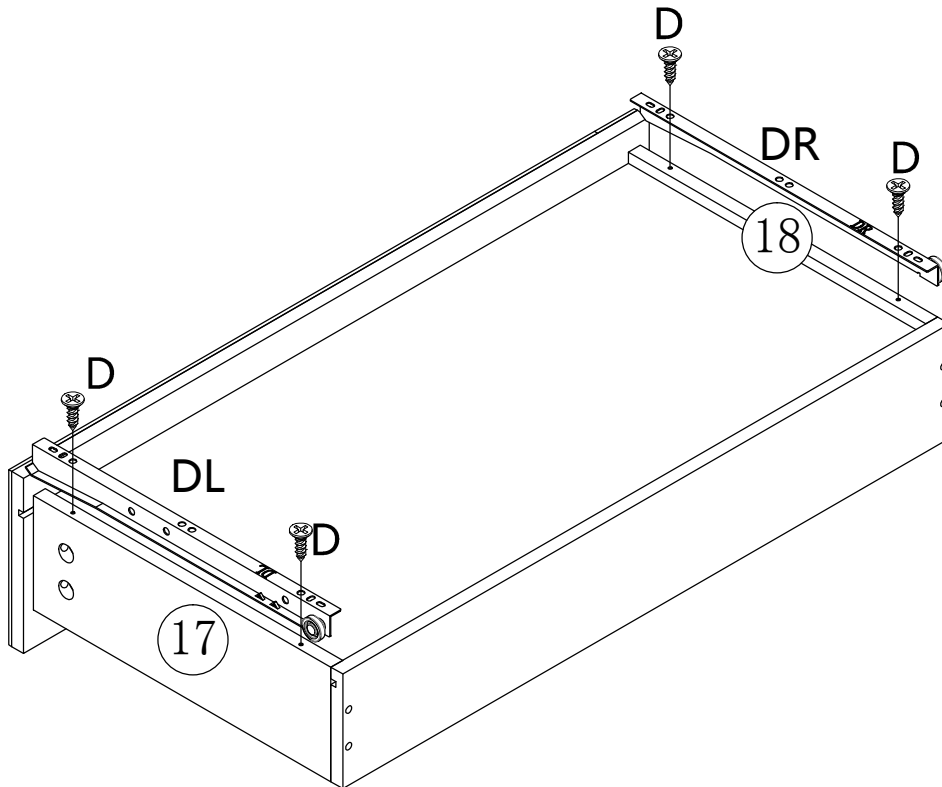
X2



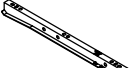


F		X2
E	M4*16 	X4

STEP 36

X2

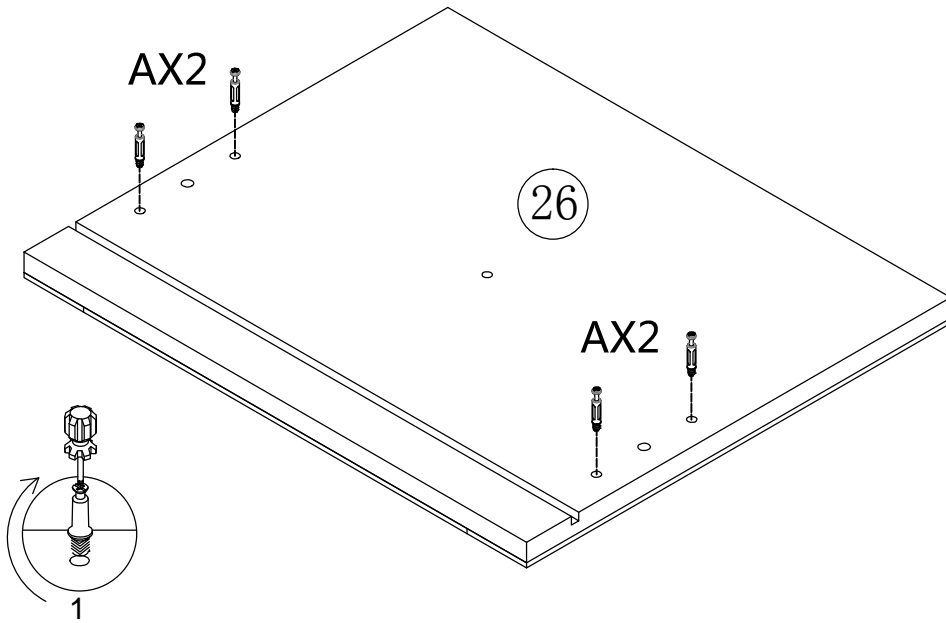



D	ST3. 5*12 	X8
DR		X2
DL		X2

ASSEMBLY INSTRUCTION

STEP 37

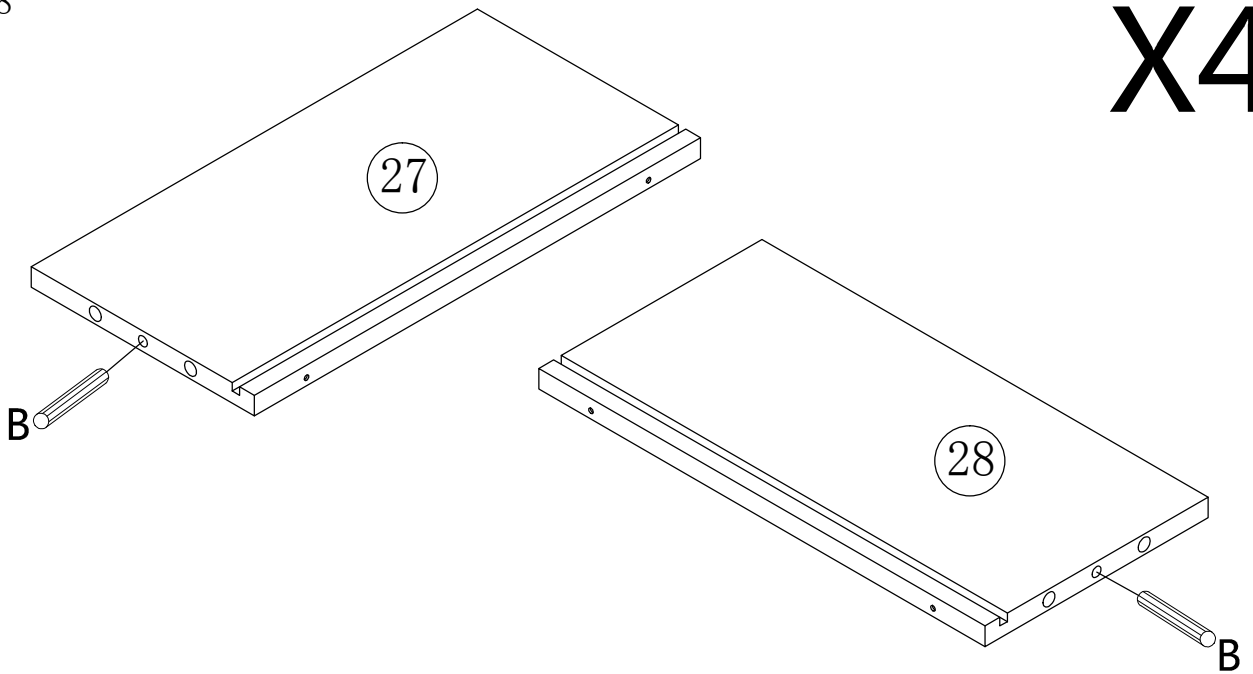
X4




A ST6*40

X16

STEP 38

X4

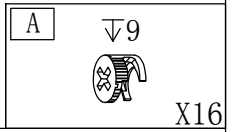
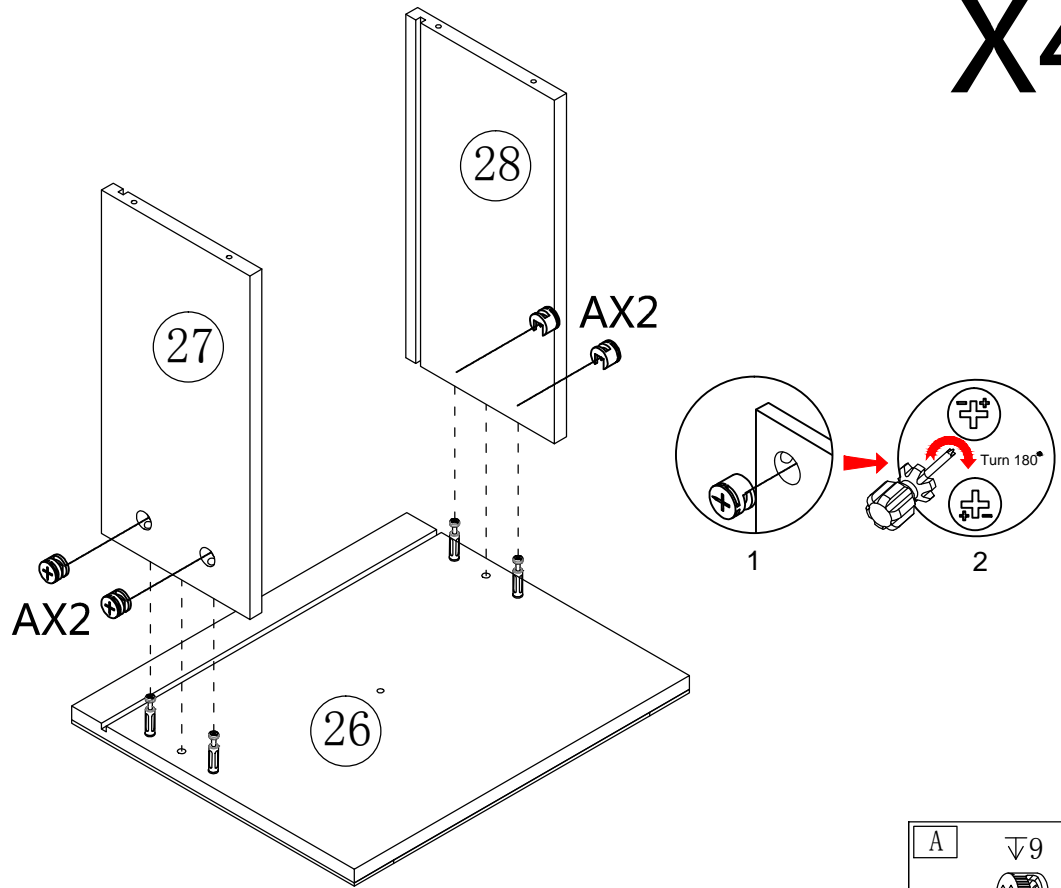


B M6*35

X8

ASSEMBLY INSTRUCTION

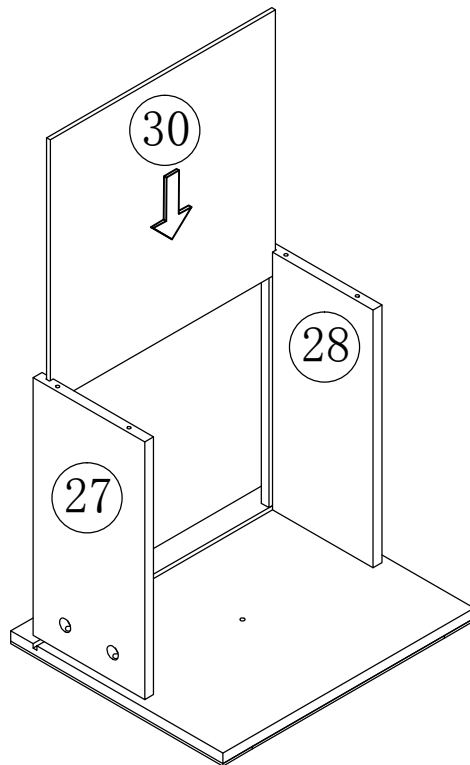
STEP 39

X4



STEP 40

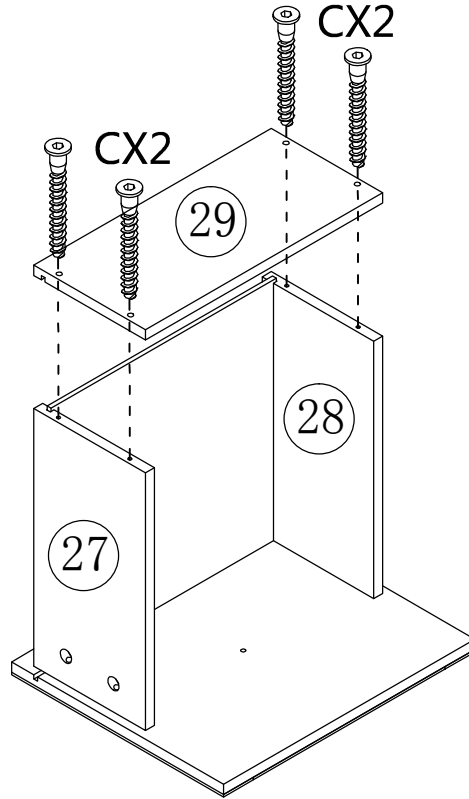
X4

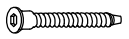


ASSEMBLY INSTRUCTION

STEP 41

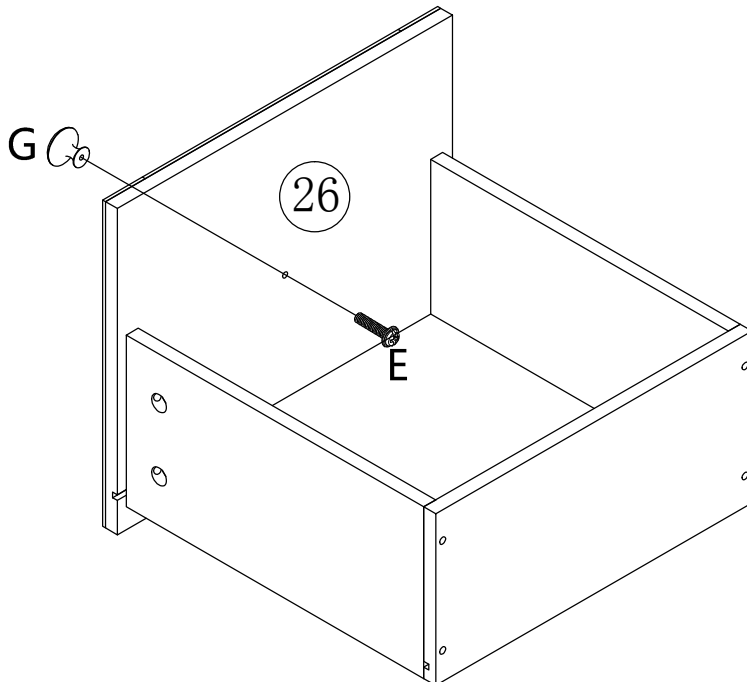
X4





C	ST5*40
	
	X16

STEP 42

X4

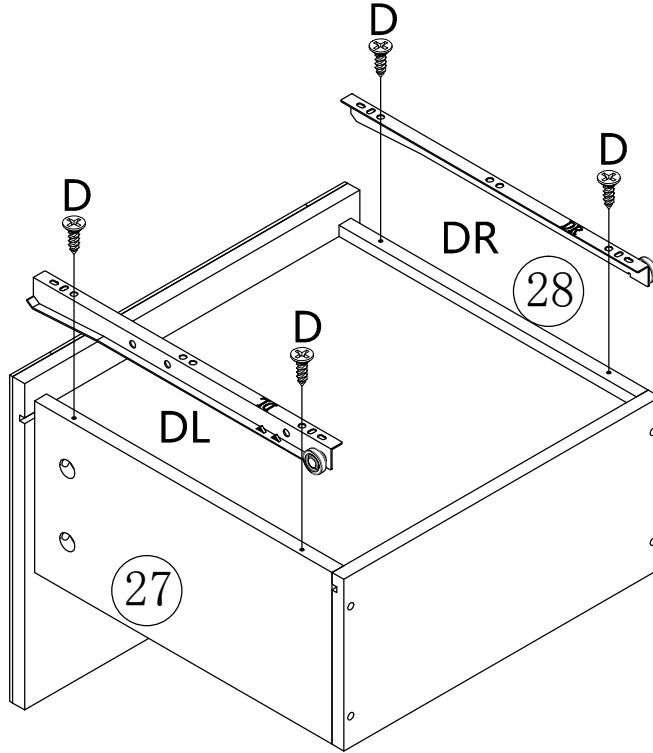




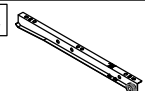
G	
	X4
E	M4*16
	
	X4

ASSEMBLY INSTRUCTION

STEP 43

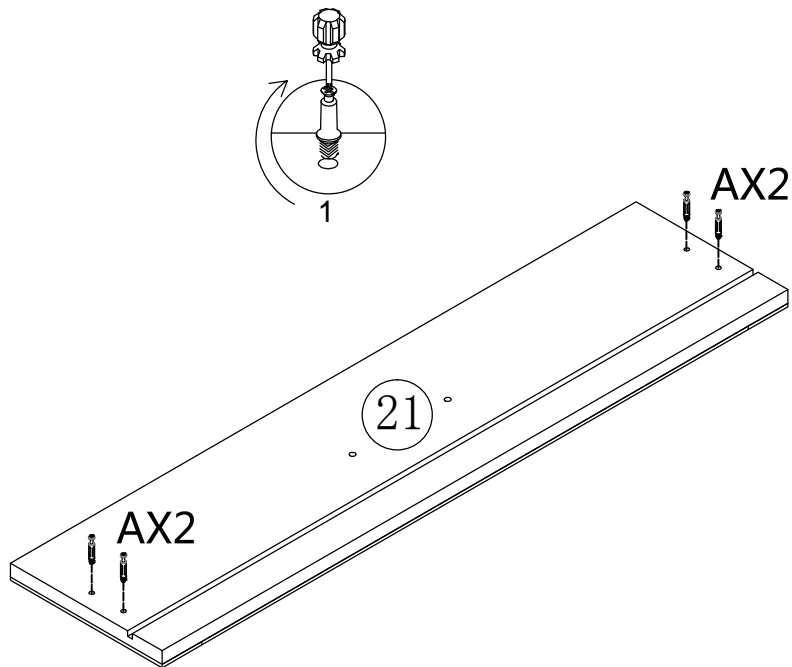
X4




D	ST3. 5*12
	X16
DR	
	X4
DL	
	X4

STEP 44

X3

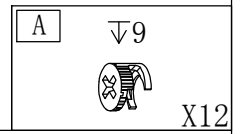
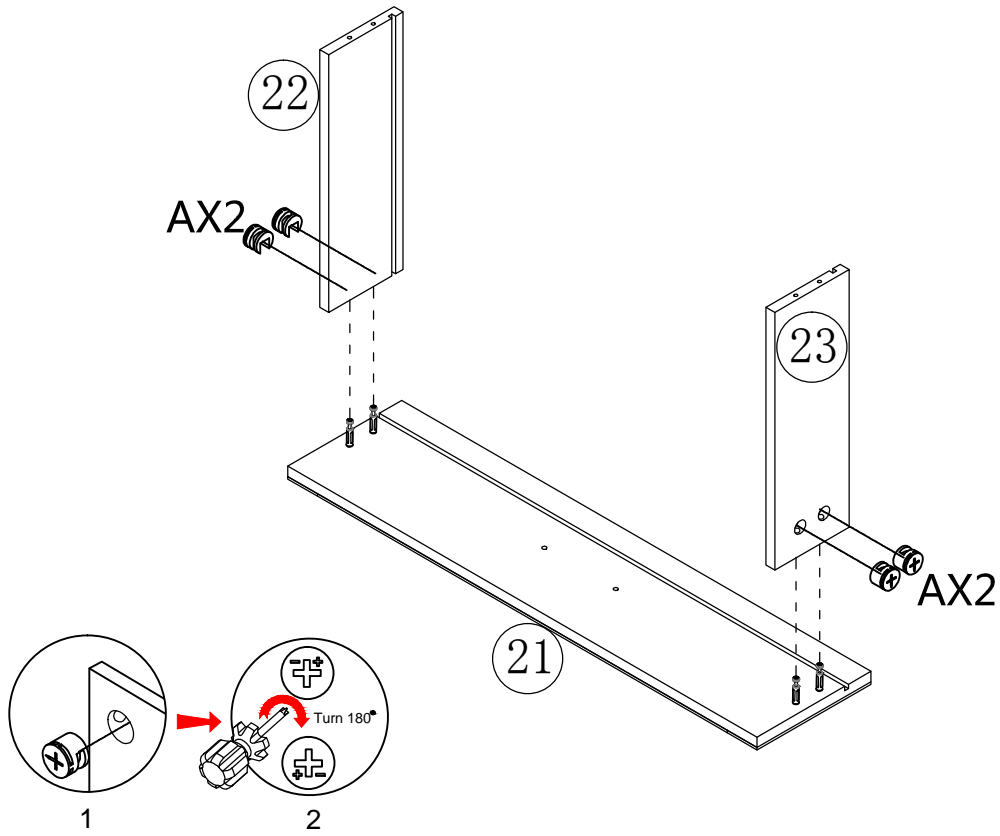


A	ST6*40
	X12

ASSEMBLY INSTRUCTION

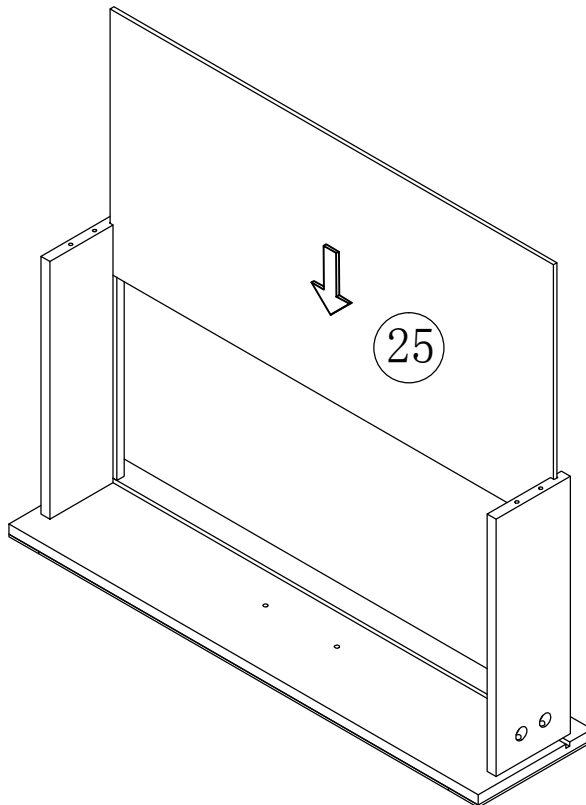
STEP 45

X3



STEP 46

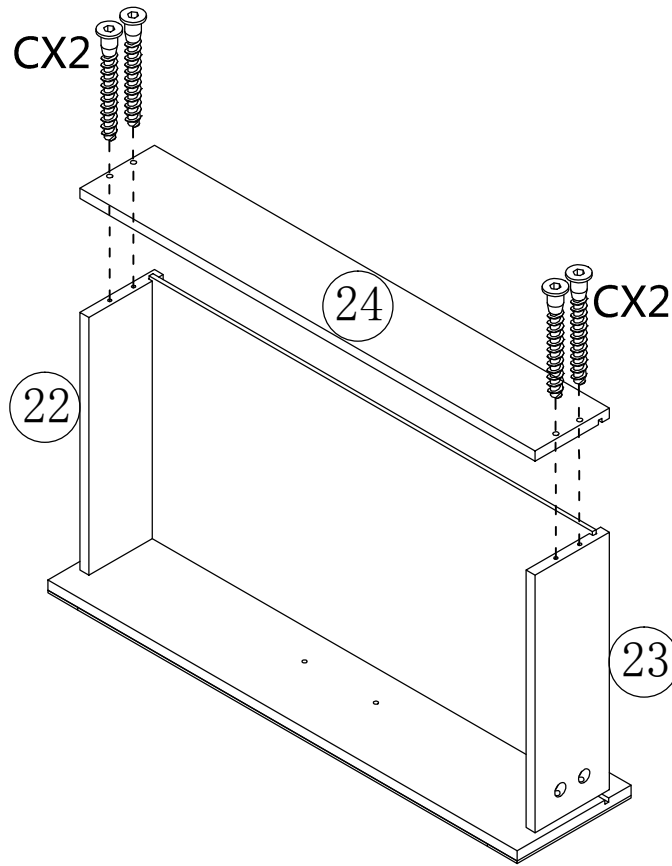
X3

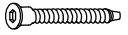


ASSEMBLY INSTRUCTION

STEP 47

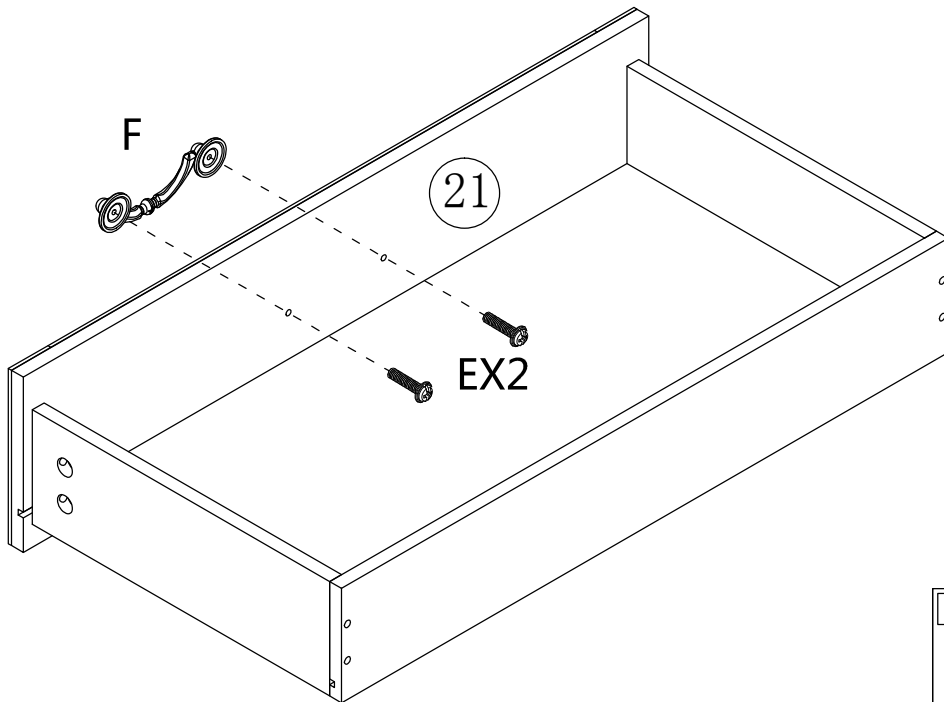
X3





C	ST5*40
	
X12	

STEP 48

X3

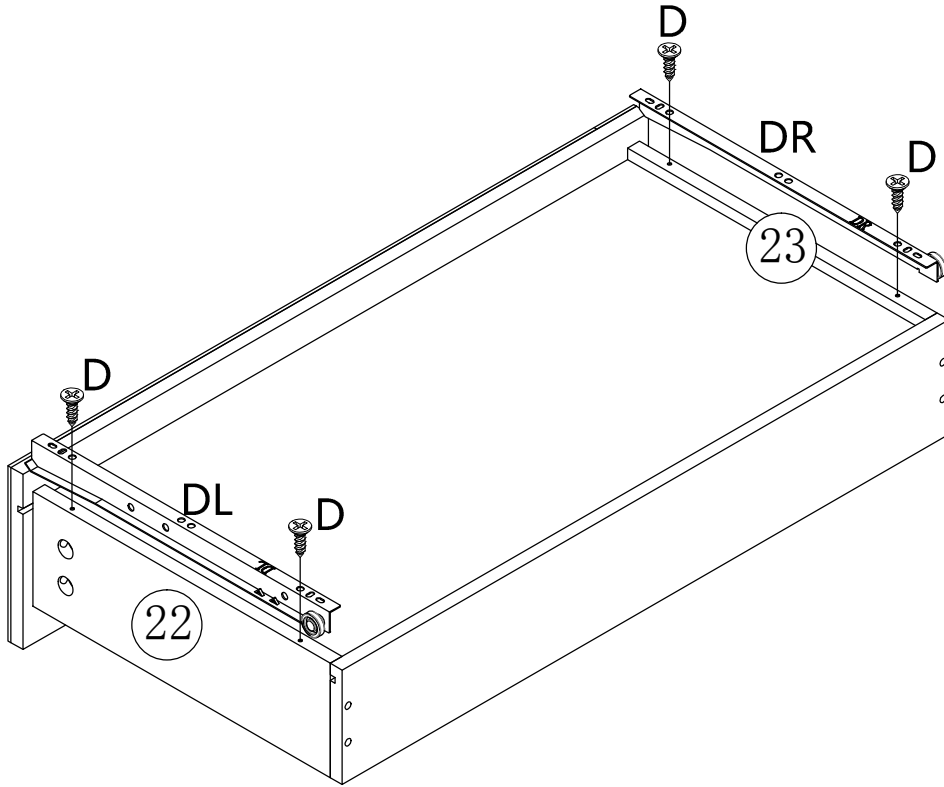




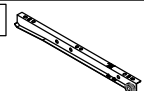
F		X3
E	M4*16	X6
		

ASSEMBLY INSTRUCTION

STEP 49

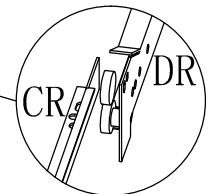
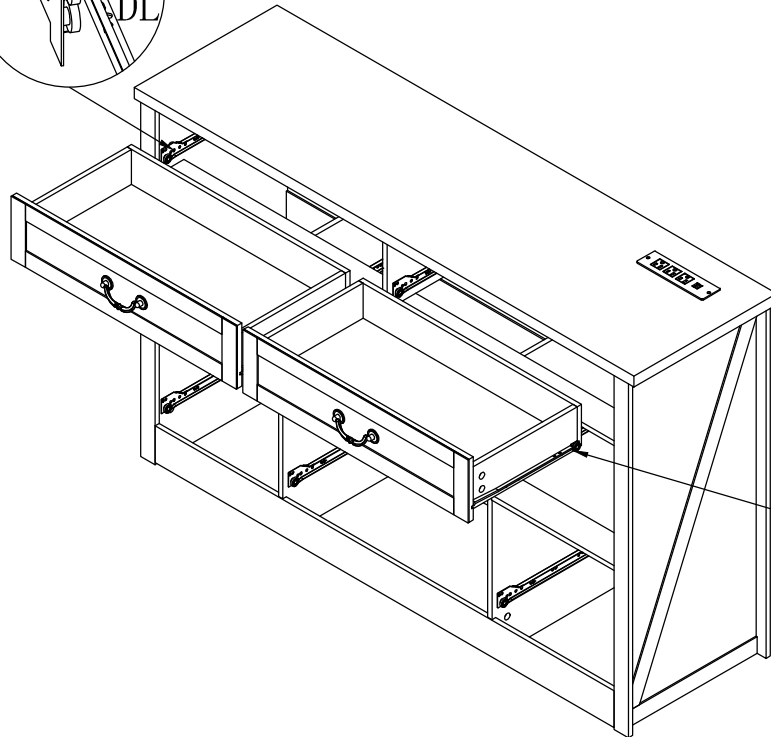
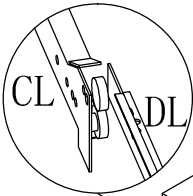
X3



D	ST3. 5*12
	X12
DR	
	X3
DL	
	X3

STEP 50

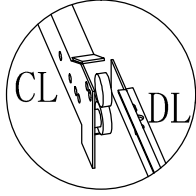
Note that when the drawer is installed, it is inclined upward and the bottom wheel of the drawer is stuck in the CR and CL rail grooves.



ASSEMBLY INSTRUCTION

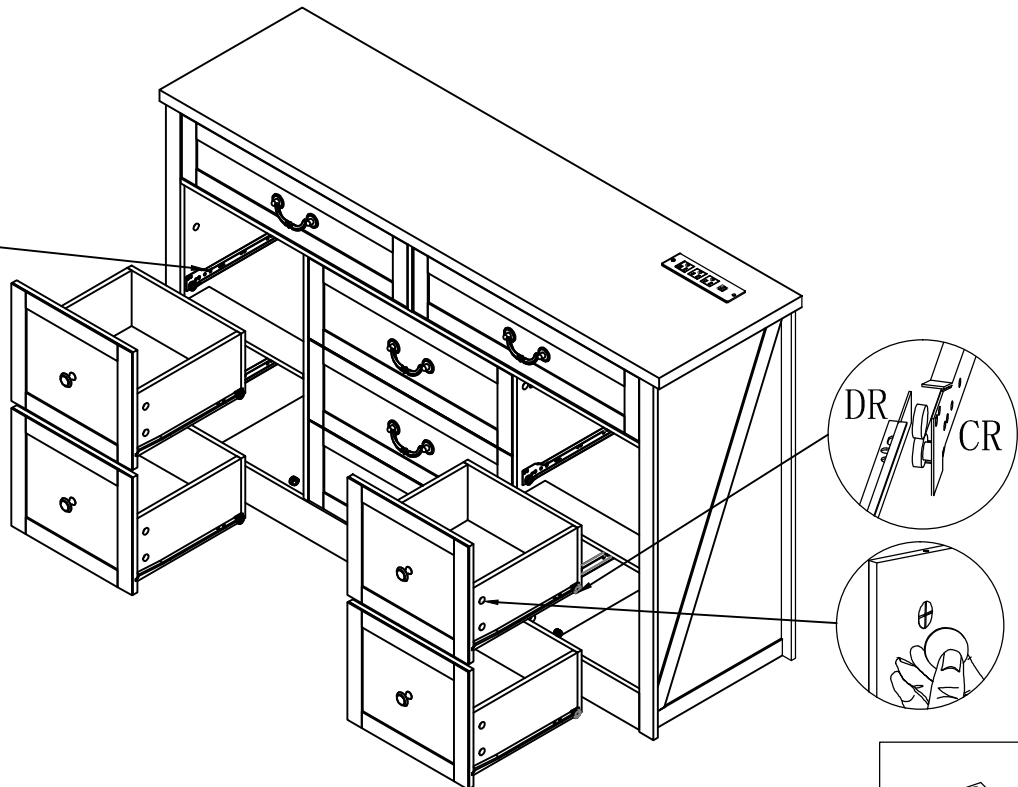
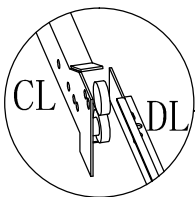
STEP 51

Note that when the drawer is installed, it is inclined upward and the bottom wheel of the drawer is stuck in the CR and CL rail grooves.



STEP 52

Note that when the drawer is installed, it is inclined upward and the bottom wheel of the drawer is stuck in the CR and CL rail grooves.

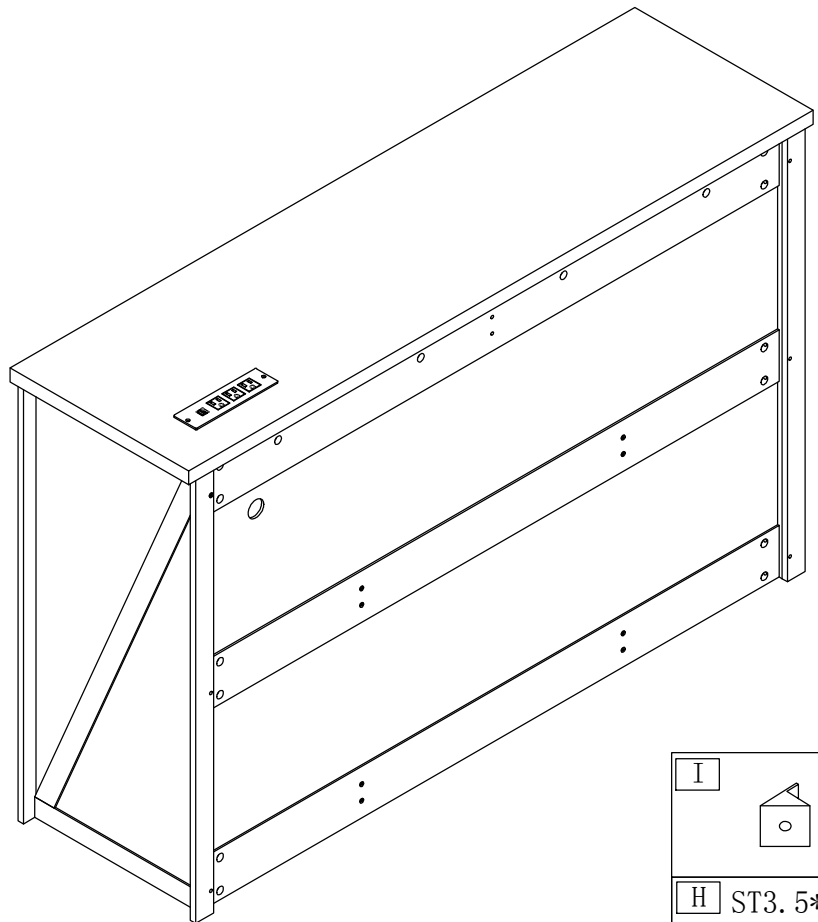
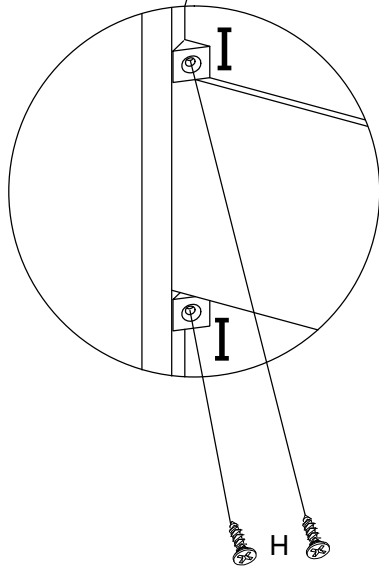
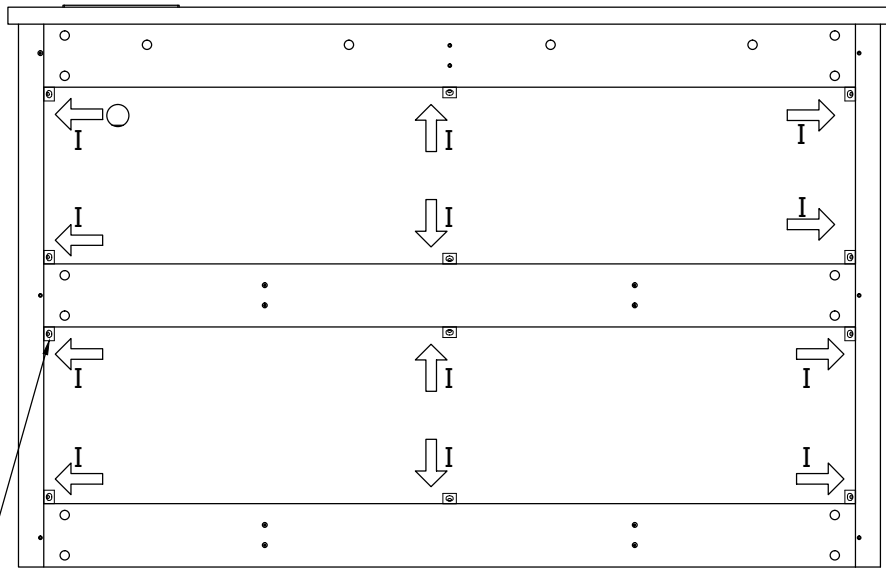


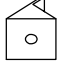

88

X1

ASSEMBLY INSTRUCTION

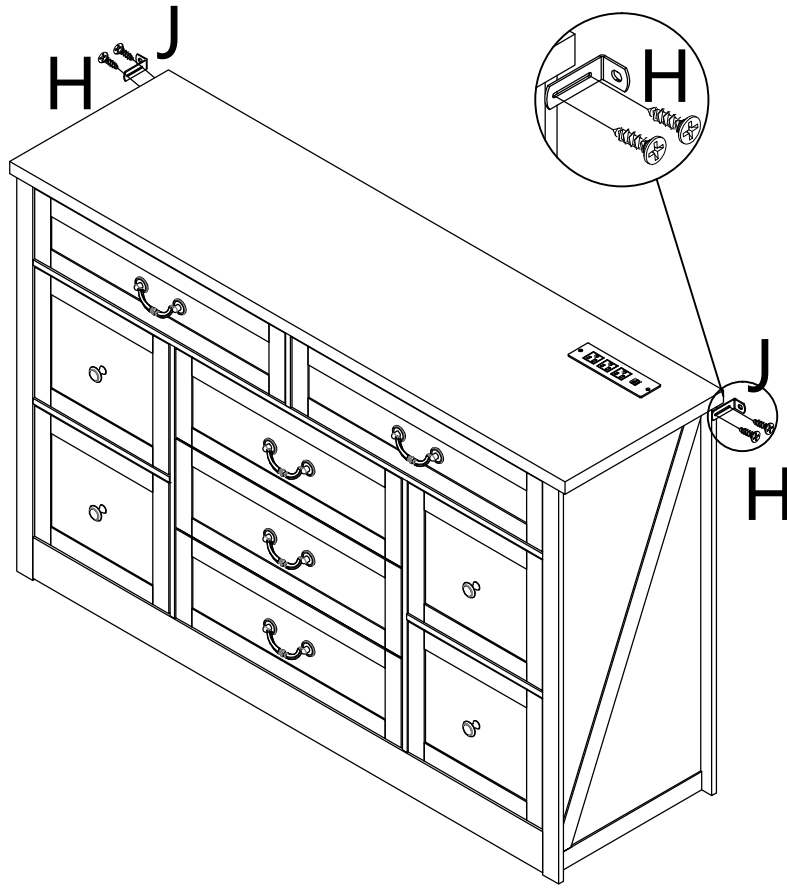
STEP 53





I		X12
H	ST3. 5*14	
		X12

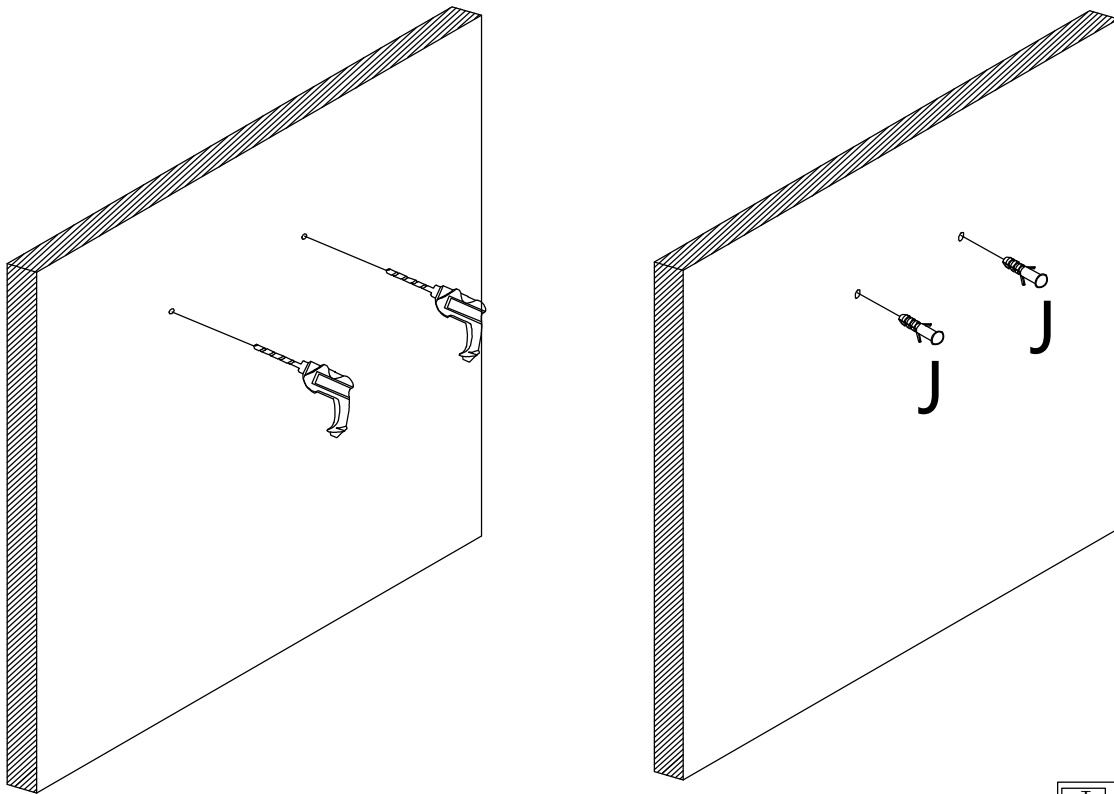
ASSEMBLY INSTRUCTION


STEP 54



J		X2
H	ST3. 5*14 	X4

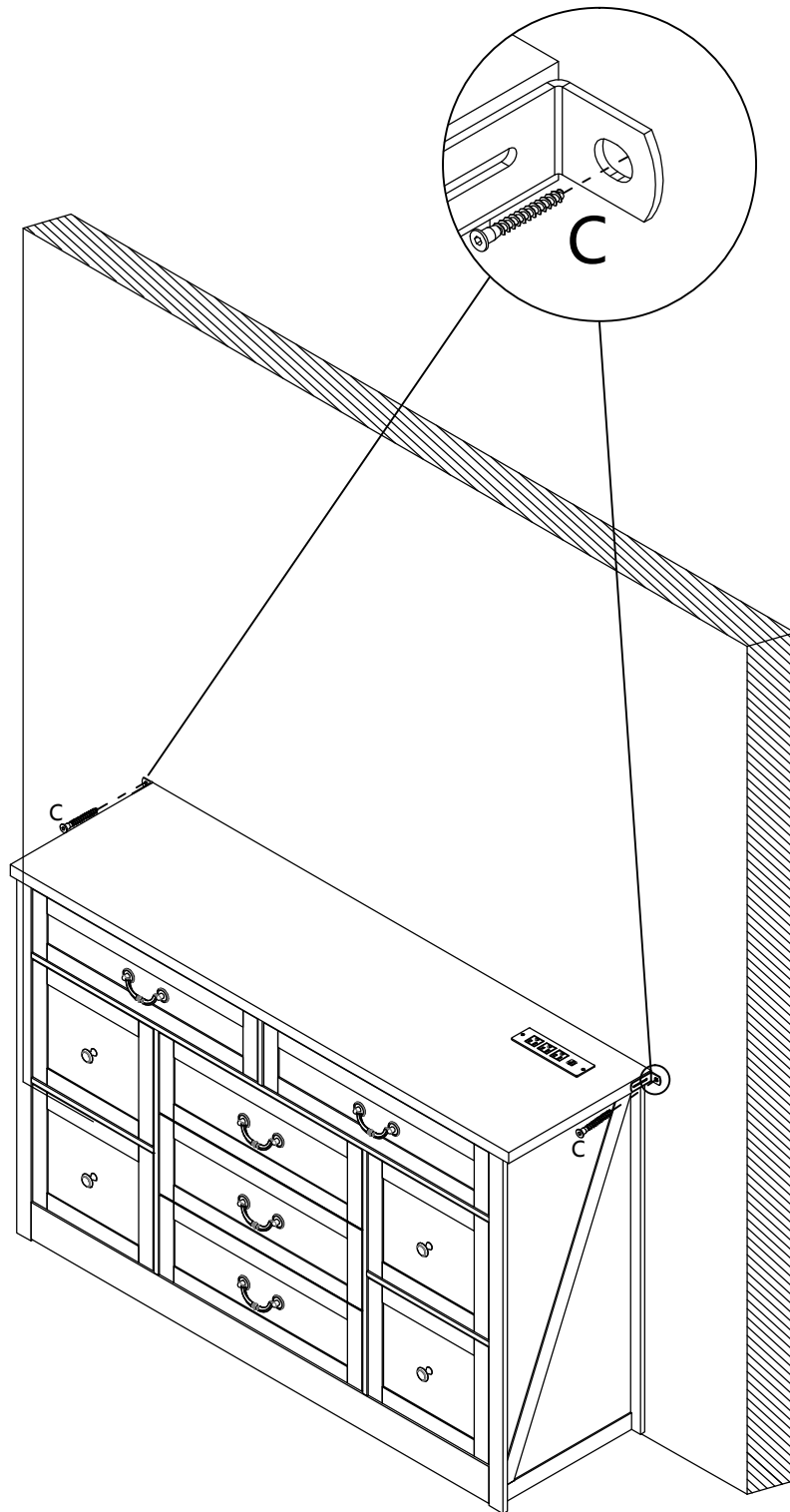
STEP 55




J		X2
---	---	----

ASSEMBLY INSTRUCTION

STEP 56



C ST5*40

X2