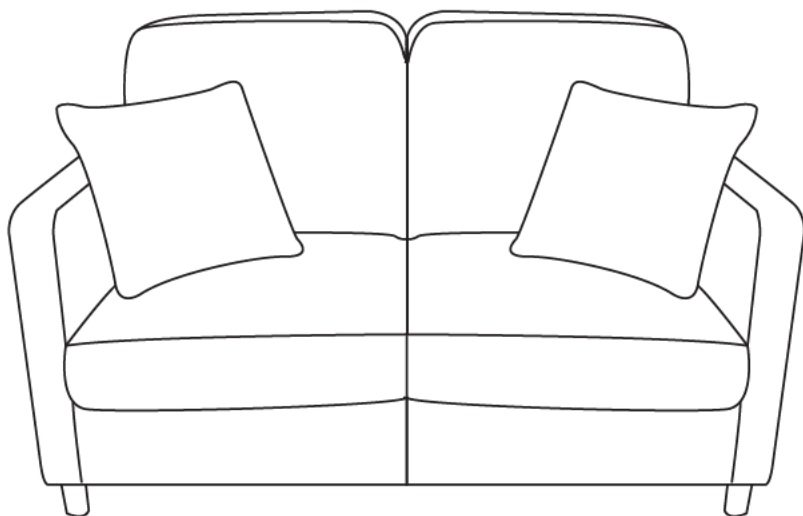
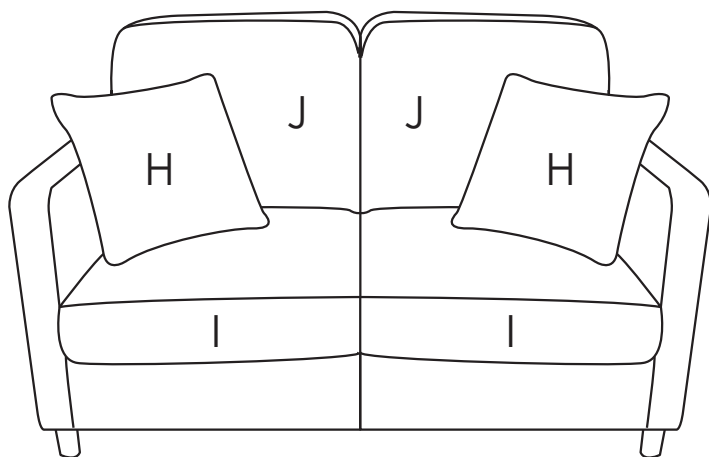
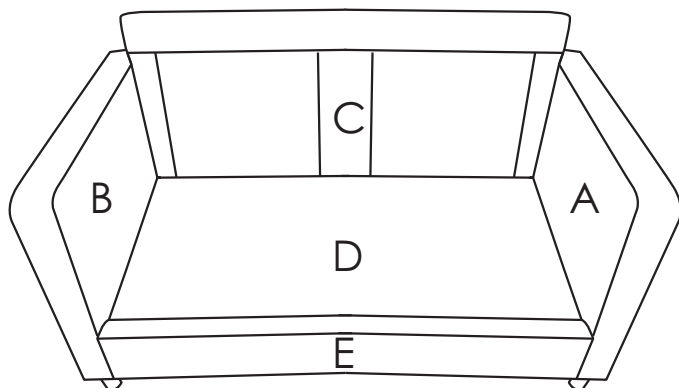


# Assembly Manual

## SOFA



# Exploded View





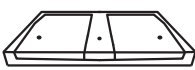






# Components List








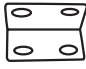
20min

Assembly Time



One People

A	 Right handrail	1PC
B	 Left handrail	1PC
C	 Backrest	1PC
D	 Seat cushion board	1PC
E	 Front seat partition	1PC
F	 Handrail bracket	2PCS
G	 Backrest support bracket	2PCS
H	 Body pillow	2PCS
I	 Seat cushion	2PCS

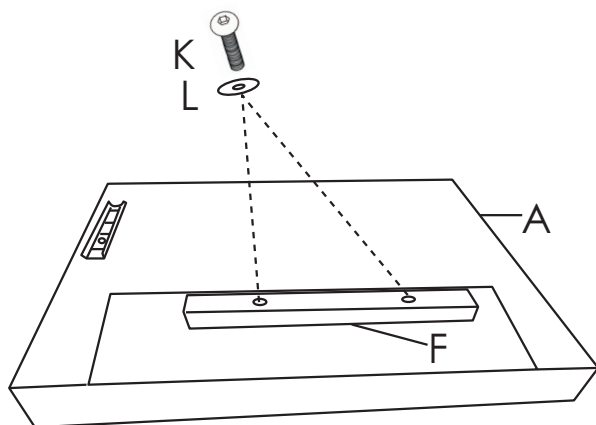
J	 Cushion	2PCS
K	 Screw M8x45mm	10+2PCS
L	 Gasket M8x22mm	18+2PCS
M	 Screw M8x20mm	8+1PCS
N	 Foot	4PCS
O	 Anti-slip pad	4PCS
P	 Wrench	1PC
Q	 Right-angle bracket	2PCS

Note: The number after "+" sign indicates extra piece(s).

# Assembly Instruction

## STEP 1

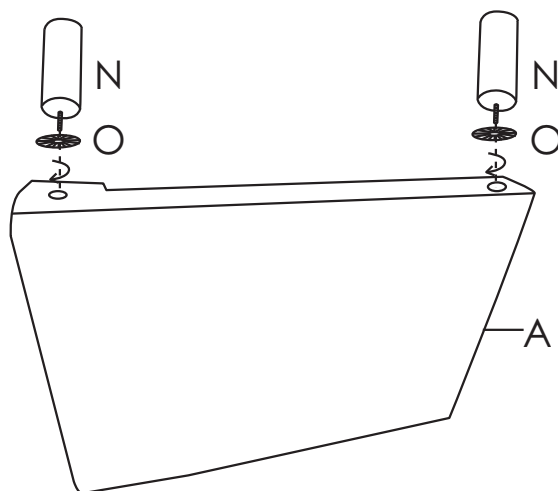
Attach bracket (F) to right handrail (A) using gaskets (L) and screws (K).



Ax1  
Fx1  
Kx2  
Lx2

## STEP 2

Rotate the feet (N) with Anti-slip pads (O) into the hole of right handrail (A).

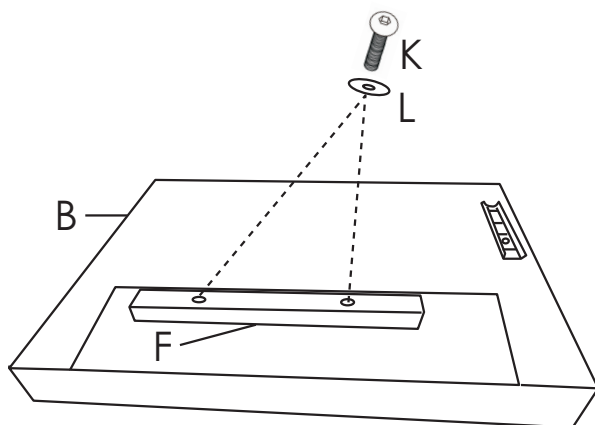


Ax1  
Nx2  
Ox2

# Assembly Instruction

## STEP3

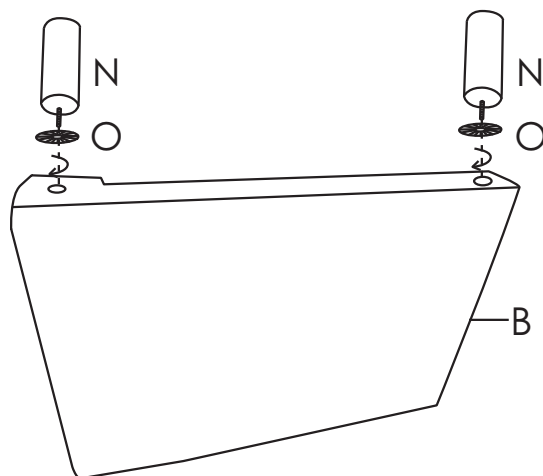
Attach bracket (F) to left handrail (B) using gaskets (L) and screws (K).



B x 1  
F x 1  
K x 2  
L x 2

## STEP4

Rotate the feet (N) with Anti-slip pads (O) into the hole of left handrail (B).

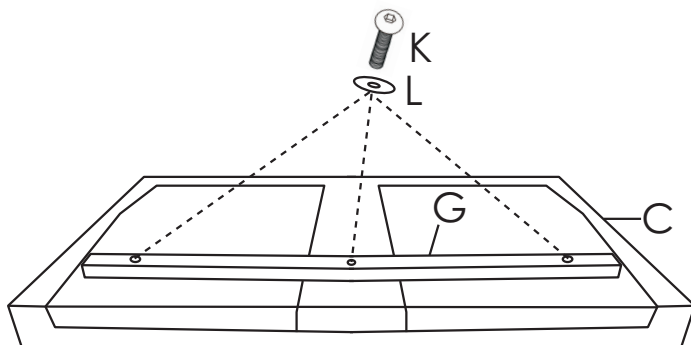


B x 1  
N x 2  
O x 2

# Assembly Instruction

## STEP 5

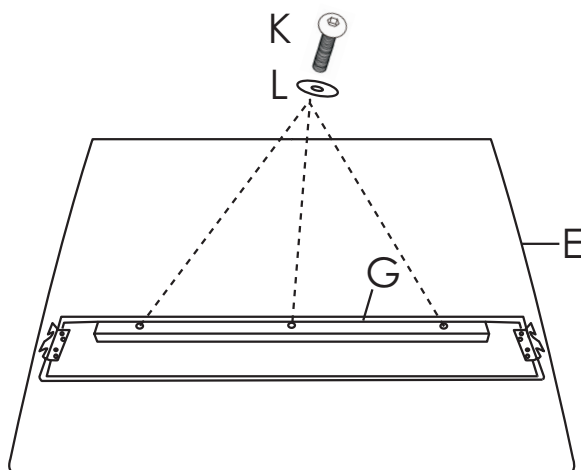
Attach backrest support bracket (G) to backrest (C) using gaskets (L) and screws (K).



C x 1  
G x 1  
K x 3  
L x 3

## STEP 6

Attach backrest support bracket (G) to front seat partition (E) using gaskets (L) and screws (K).

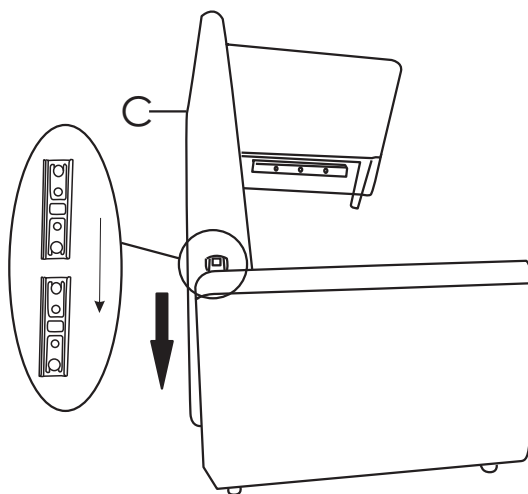


E x 1  
G x 1  
K x 3  
L x 3

# Assembly Instruction

## STEP 7

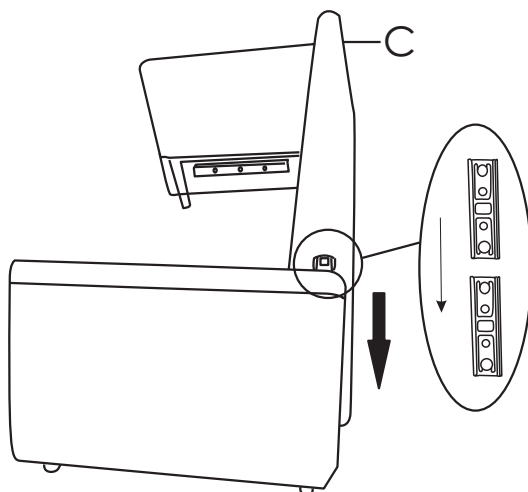
Connect backrest (C) with right handrail (A) by sliding the side connection.



Cx1

## STEP 8

Connect backrest (C) with left handrail (B) by sliding the side connection.

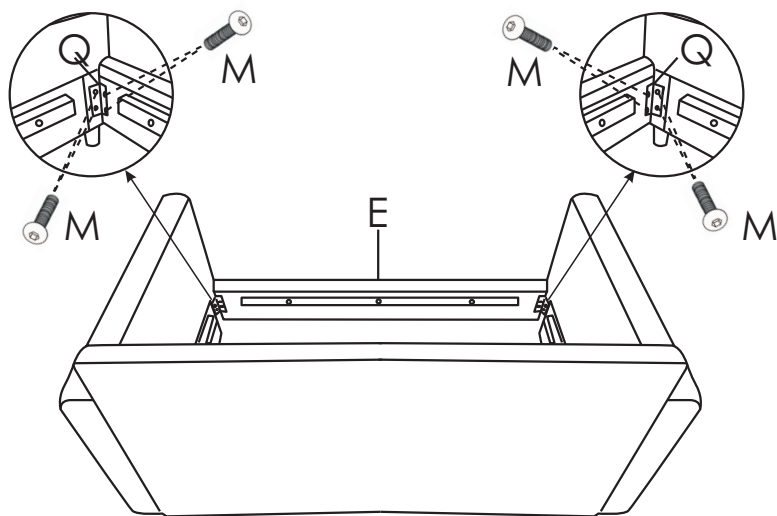


Cx1

# Assembly Instruction

## STEP 9

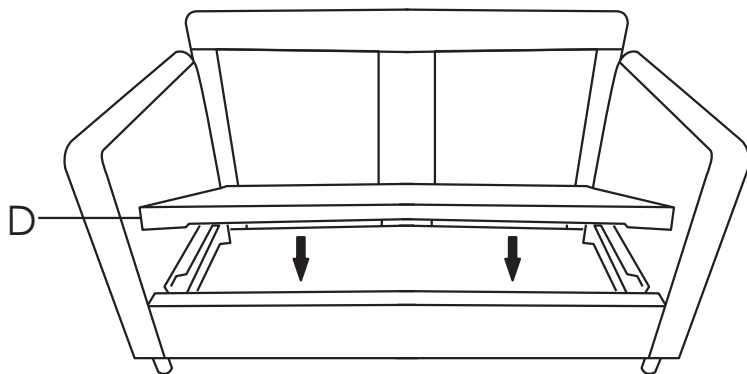
Attach front seat partition(E) to the handrails using right-angle brackets(Q) and screws(M).



E x 1  
M x 8  
Q x 2

## STEP 10

Put seat cushion board(D) down to the frame of sofa.

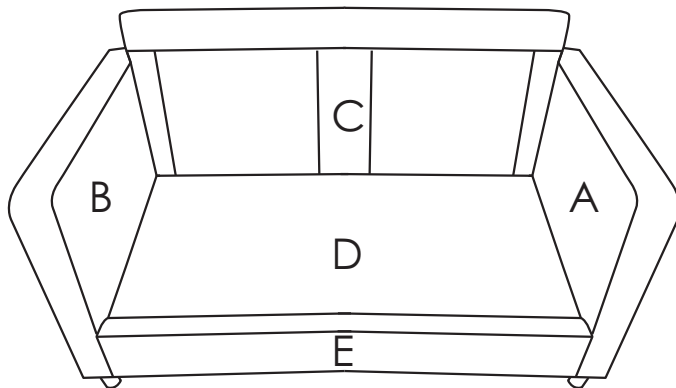


D x 1

# Assembly Instruction

## STEP 11

Please check if the components is well assembled.



## STEP 12

Put the back cushion (J), seat cushion (I) and body pillow (H) on the frame of sofa, the assembly is done.

