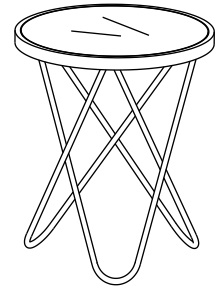
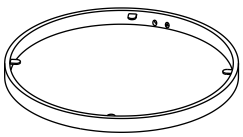
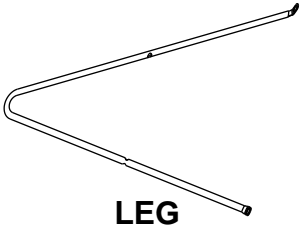
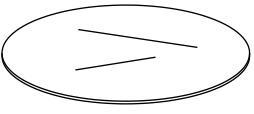
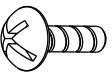
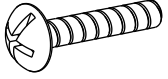



END TABLE

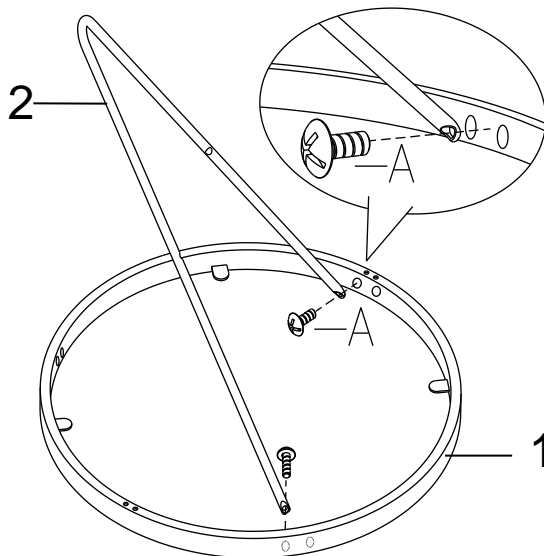


ASSEMBLY INSTRUCTIONS

1	2	3
 <p>TOP FRMAE 1PC</p> <p>A</p>	 <p>LEG 3PCS</p> <p>B</p>	 <p>GLASS TOP 1PC</p> <p>C</p>
 <p>BOLT 3/16"X3/8" 6PCS</p>	 <p>BOLT 3/16"X3/4" 3PCS</p>	 <p>GLASS PAD 4PCS</p>

*** Do not tighten screws & bolts until the entire unit is completely assembled. ***

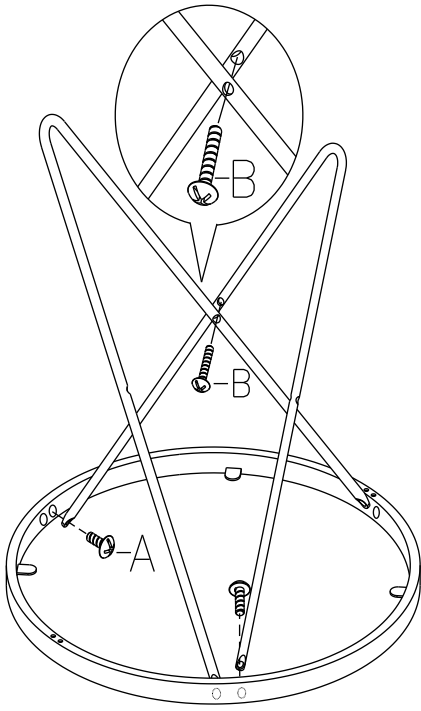
STEP 1



*Please put all parts on a soft surface to prevent scratches.

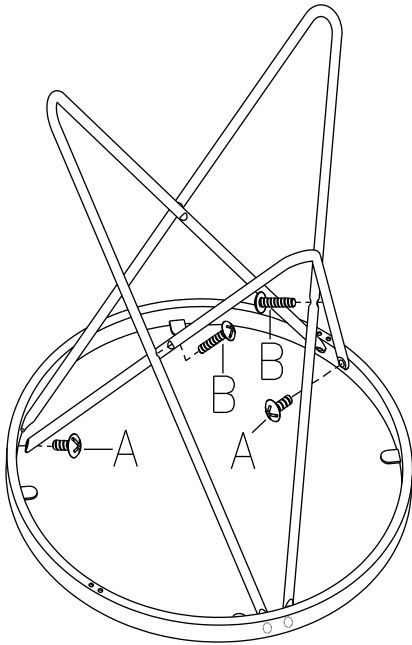
Attached leg (2) one by one to top frame (1) by using bolt (A) as shown accordingly.

STEP 2



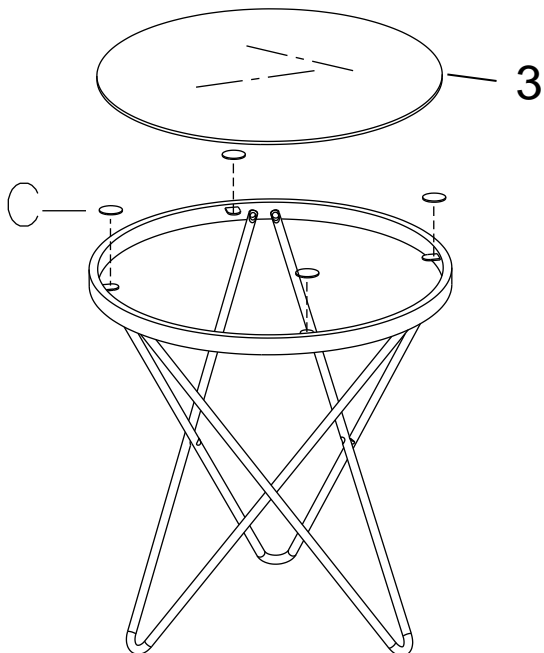
Repeat same step to attach leg (2) to top frame (1) by using bolt (A) and bolt (B) as shown.

STEP 3



Repeat accordingly by using bolt (A) and bolt (B) again.

STEP 4



Turn the unit right side up and put glass pad (C) onto top frame as shown then put on glass top (3).

Your end table is now complete.