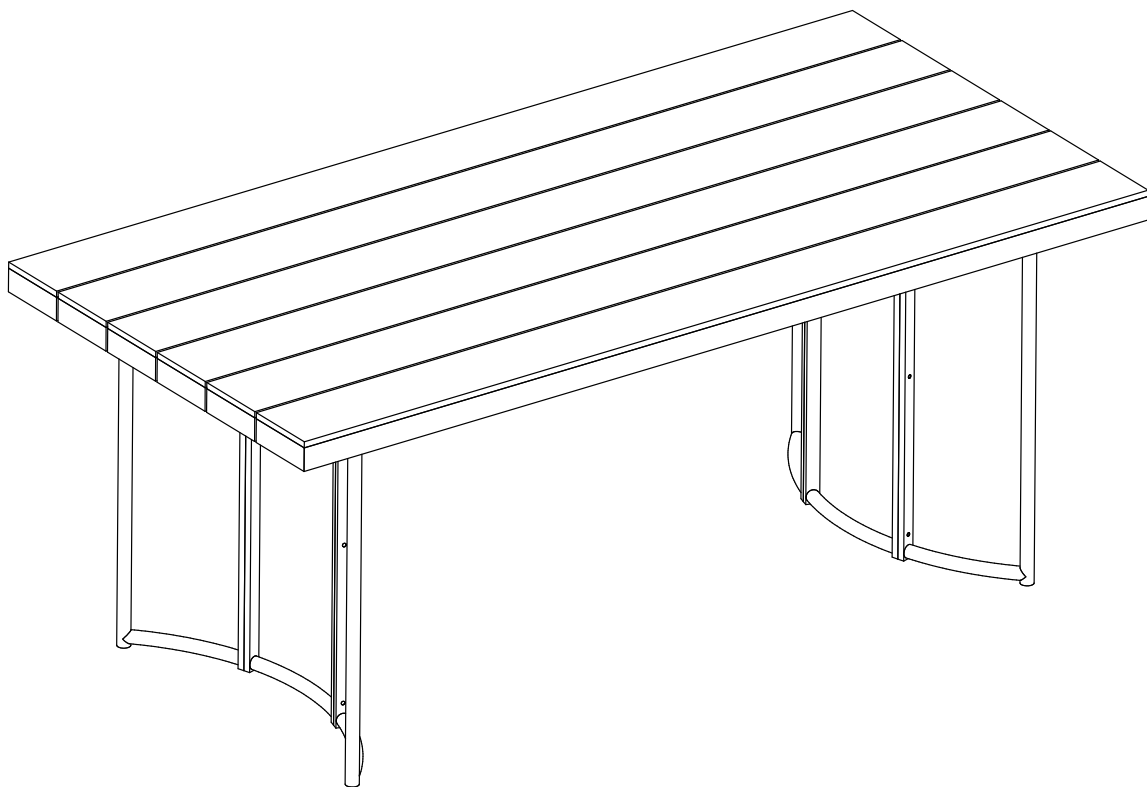


# Assembly Instructions

## TABLE

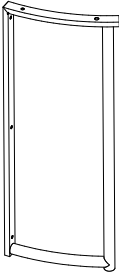
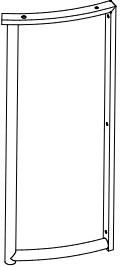
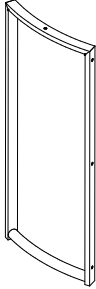
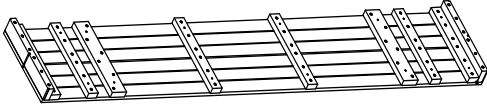
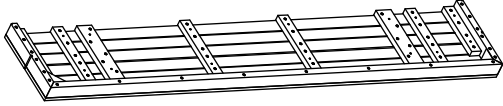


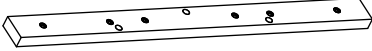

CAUTION: You must read this before you proceed.

Pleas look in the Leg for hardware packs



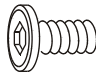
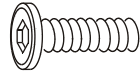




**CAUTION:** This Table is NOT a TOY.  
Keep your child/children at bay during the assembly process.  
Whenever lifting the Table and to prevent damage to the Table two adults are needed to execute this action.

## Parts List

No.	Picture	Description	Qty
A		First Leg	2
B		Second Leg	2
C		Third Leg	2
D		Middle Side Table Top Panel	1
E		Side Table Top Panel	2
F		First Support Bar	2
G		Second Support Bar	2
H		Third Support Bar	2
I		Fourth Support Bar	2

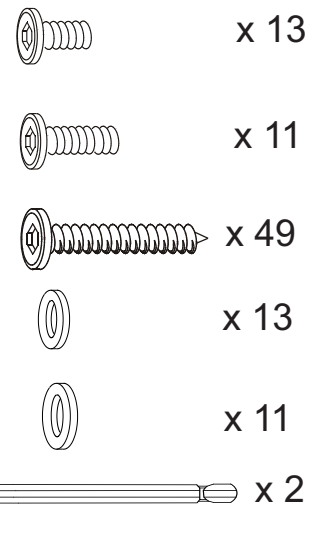
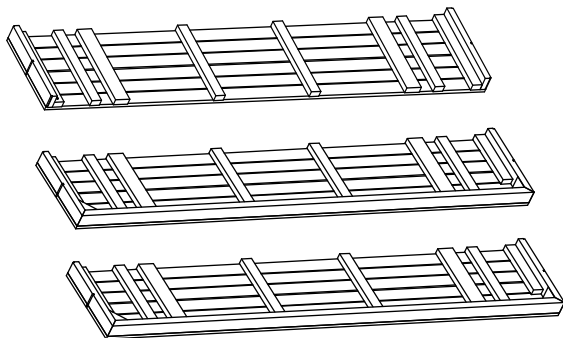
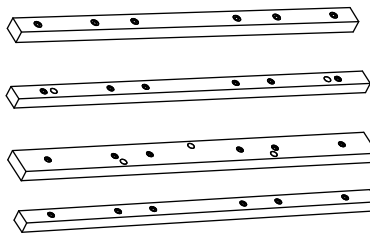
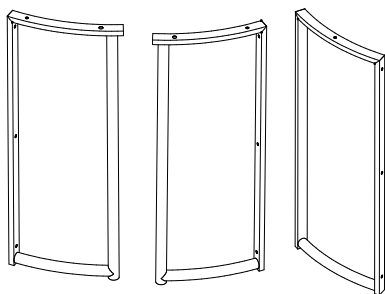
# Hardware

## Table Hardware

No.	Picture	Description	Qty
①		Bolt (M6 x 25mm)	13
②		Bolt (M8 x 35mm)	11
③		Screw (M6 x 50mm)	49
④		Washer (M6/16 x 2mm)	13
⑤		Washer (M8/18 x 2mm)	11
⑥		Allen Key	2

## Assembly Preparation

### Before Beginning Assembly:



Read instructions, cover to cover.



Have 2 adults on hand for assembly.



Do not assemble on flooring or carpet.



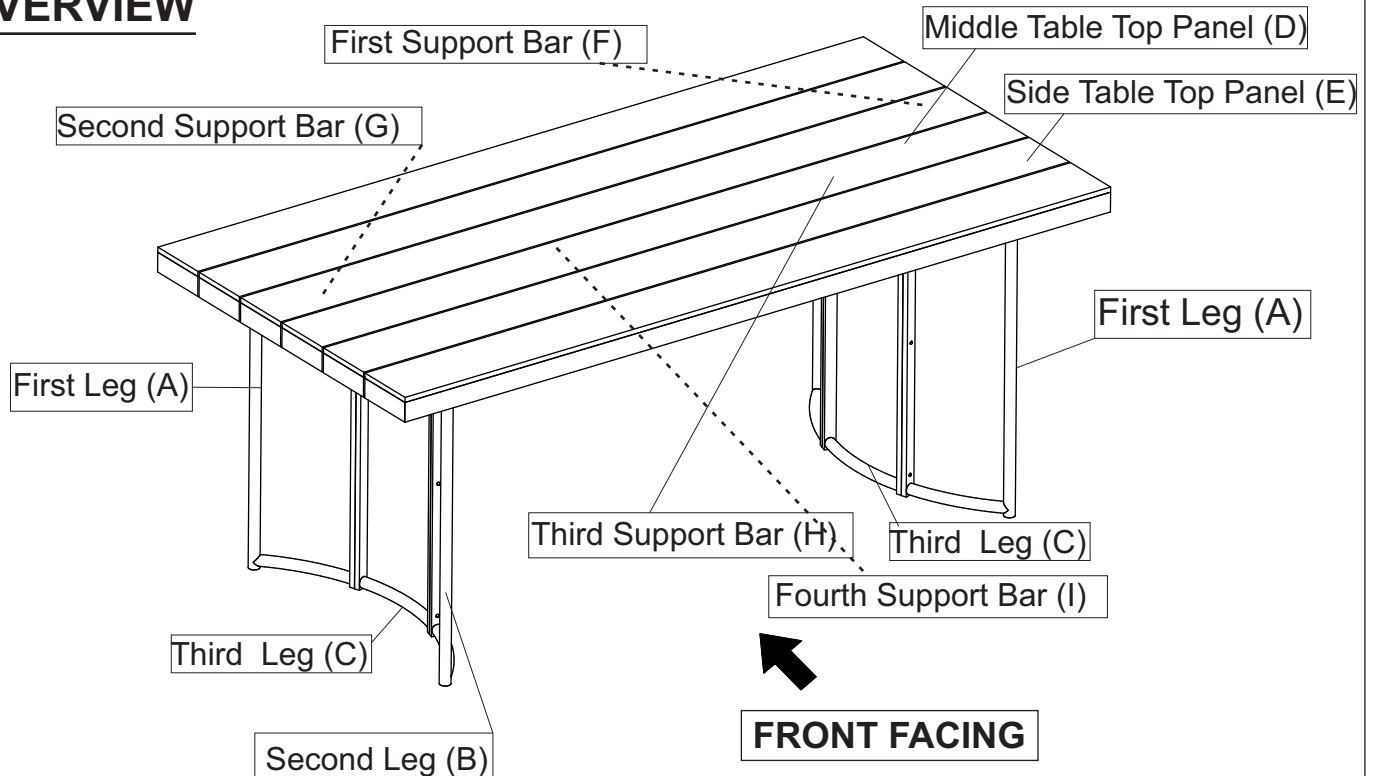
Assemble on a clean non-marring surface (packing foam).



Save all packaging until finished.

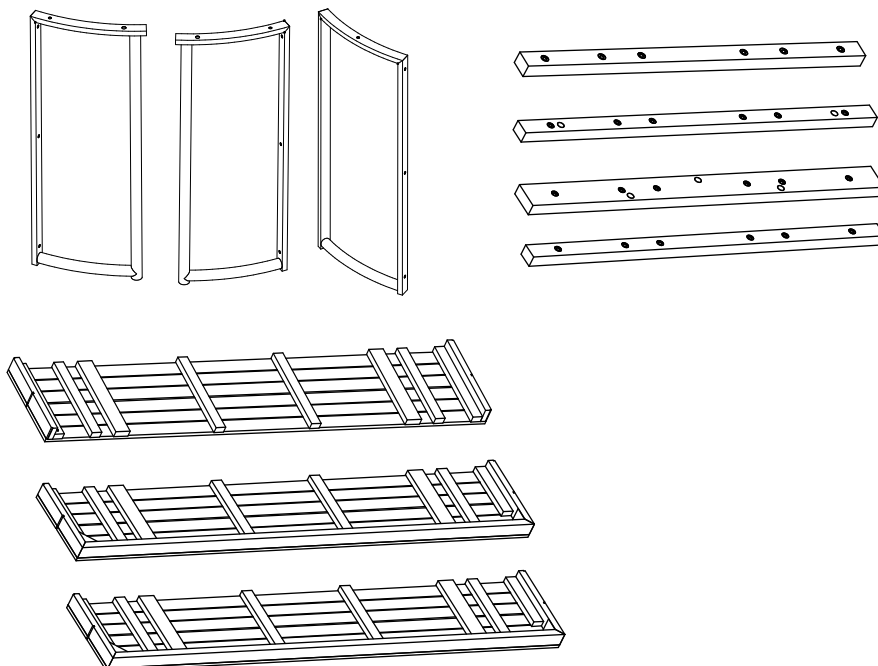
## Assembly Steps

### OVERVIEW



This Table has multiple parts and may require up to 30 minutes to assemble. To give you an overview of the Table parts, the above picture is to help you put the various parts into perspective. Please read through the instructions below to familiarise yourself with the parts and steps before assembly.

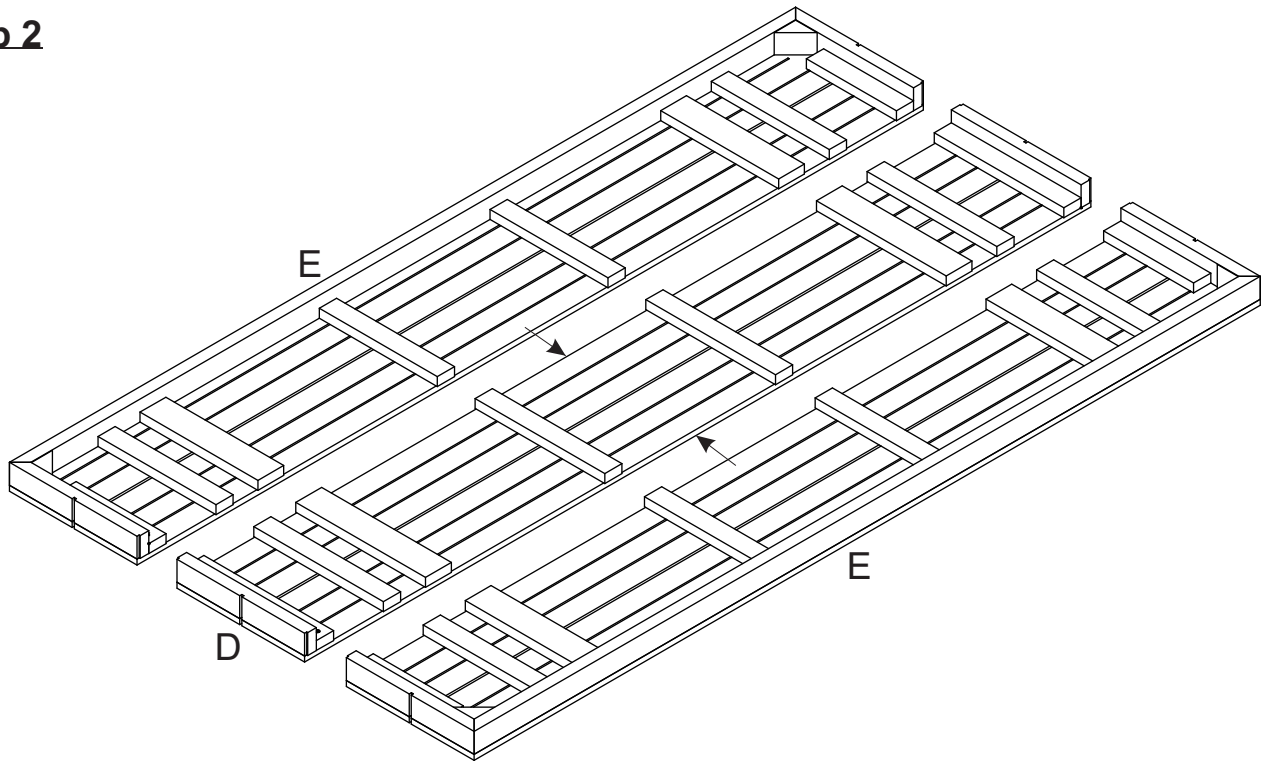
### Step 1



Unpack and place all parts on a clean, non-marring surface.

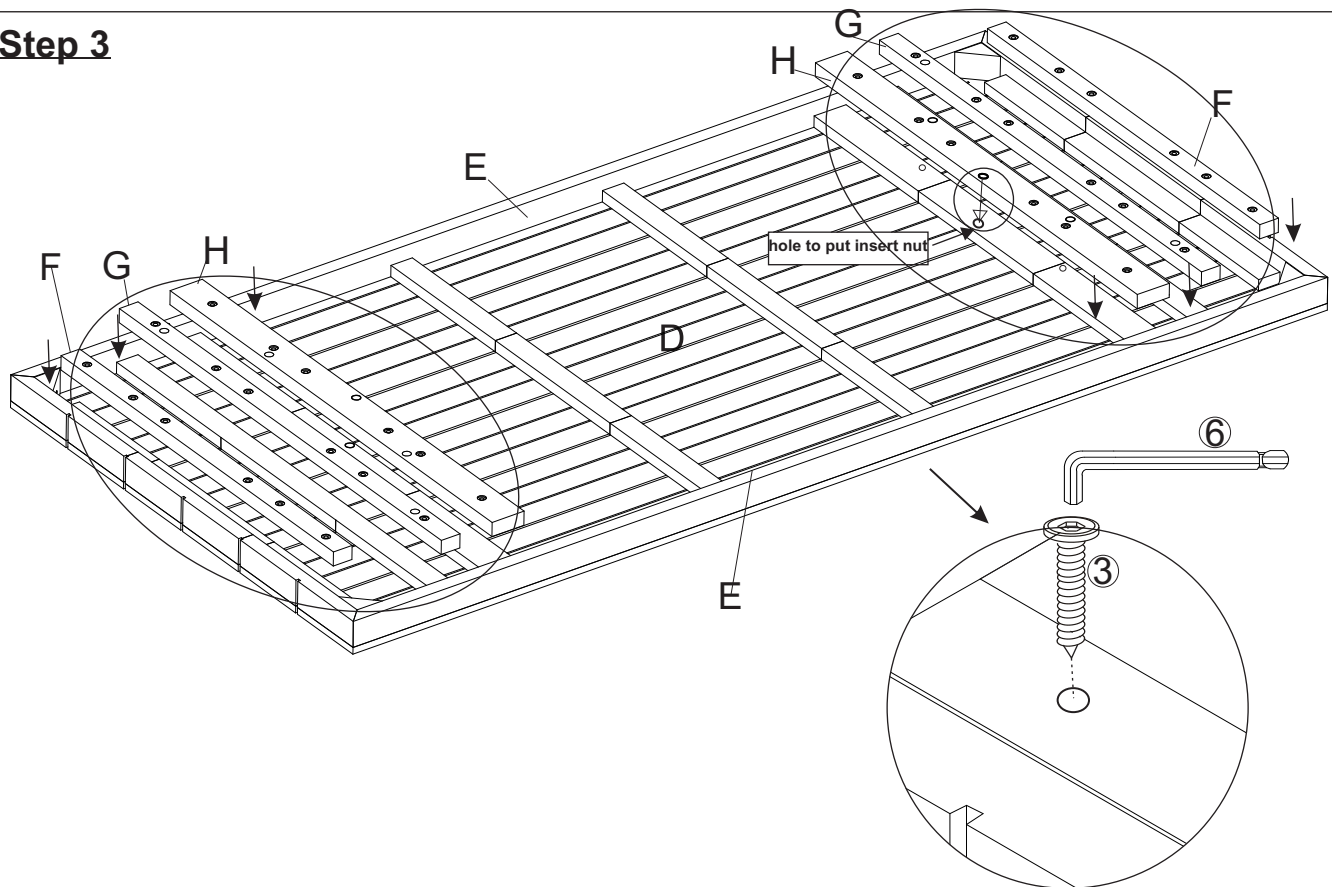
## Assembly Steps

### Step 2



Position the Side Table Top Panel (E ) to the Middle Side Table Top Panel (D) as shown above.

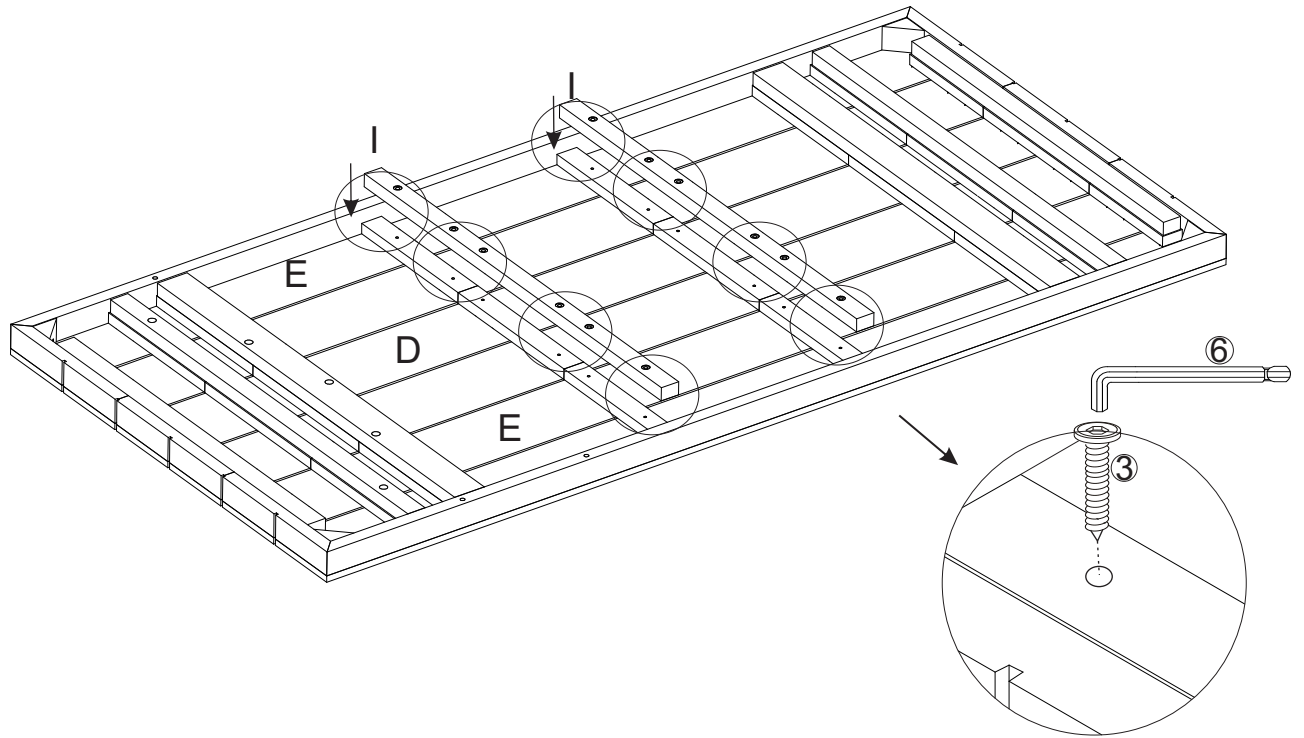
### Step 3



Attach the First Support Bar (F), Third Support Bar (H), Second Support Bar (G) to the Middle Side Table Top Panel(D) and Side Table Top Panel (E).  
Using Screws (3) and Allen Key (6) as shown above.  
**Do not fully tighten the Screws.**

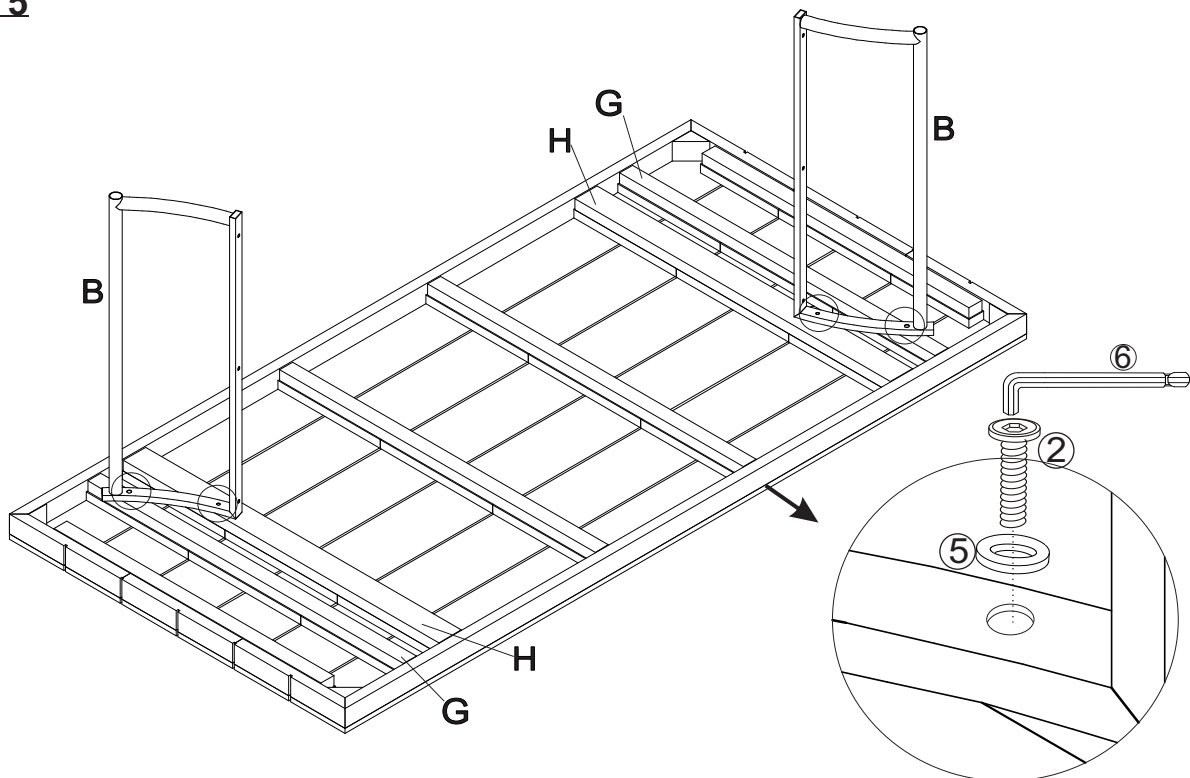
## Assembly Steps

### Step 4



Attach the Fourth Support Bar (I) to the Middle Side Table Top Panel (D) and Side Table Top Panel (E) using Screws (3) and Allen Key (6) as shown above.  
**Do not fully tighten the Screws.**

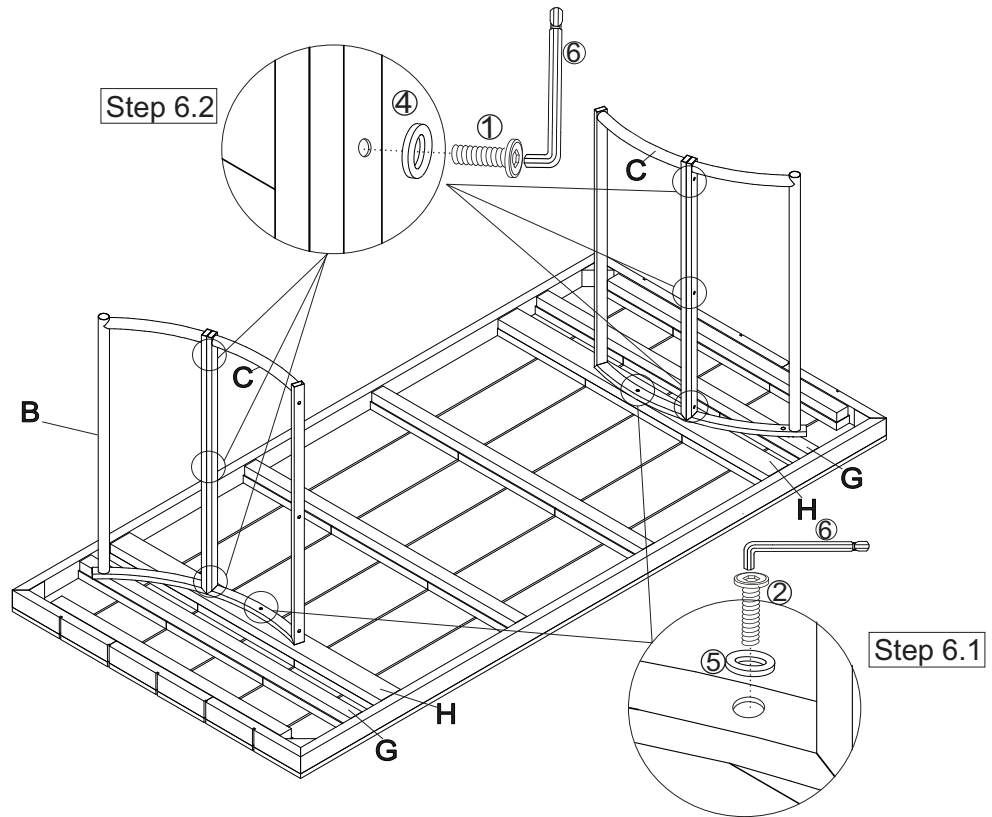
### Step 5



Attach the Second Leg (B) to the Second Support Bar (G) and Third Support Bar (H) using Bolts (2), Washer (5) and Allen Key (6) as shown above  
**Do not fully tighten the Bolts.**

## Assembly Steps

### Step 6

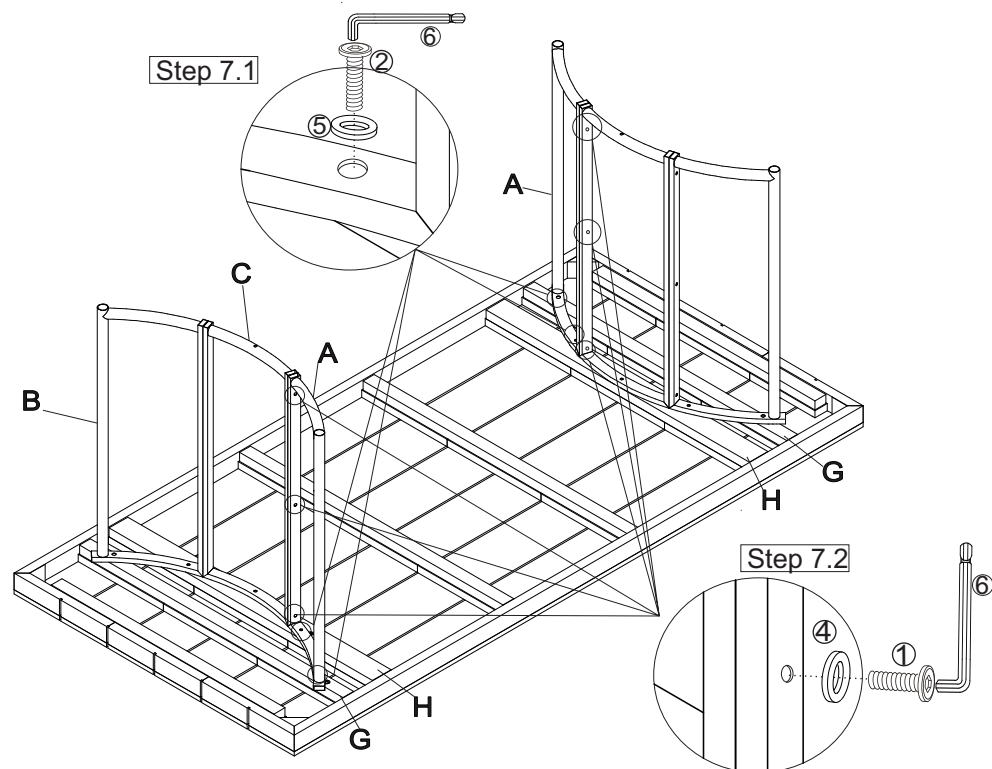


6.1) Attach the Third Leg (C) to the Third Support Bar (H) using Bolts (2), Washer (5) and Allen Key (6).

6.2) Then secure the Third Leg (C) and Second Leg (B) using Bolts (1), Washer (4) and Allen Key (6).

**Do not fully tighten the Bolts.**

### Step 7



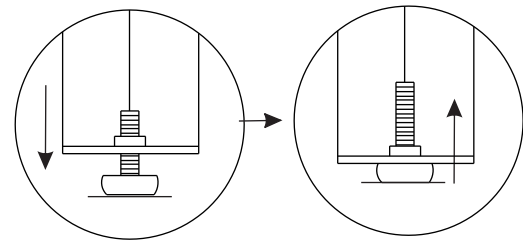
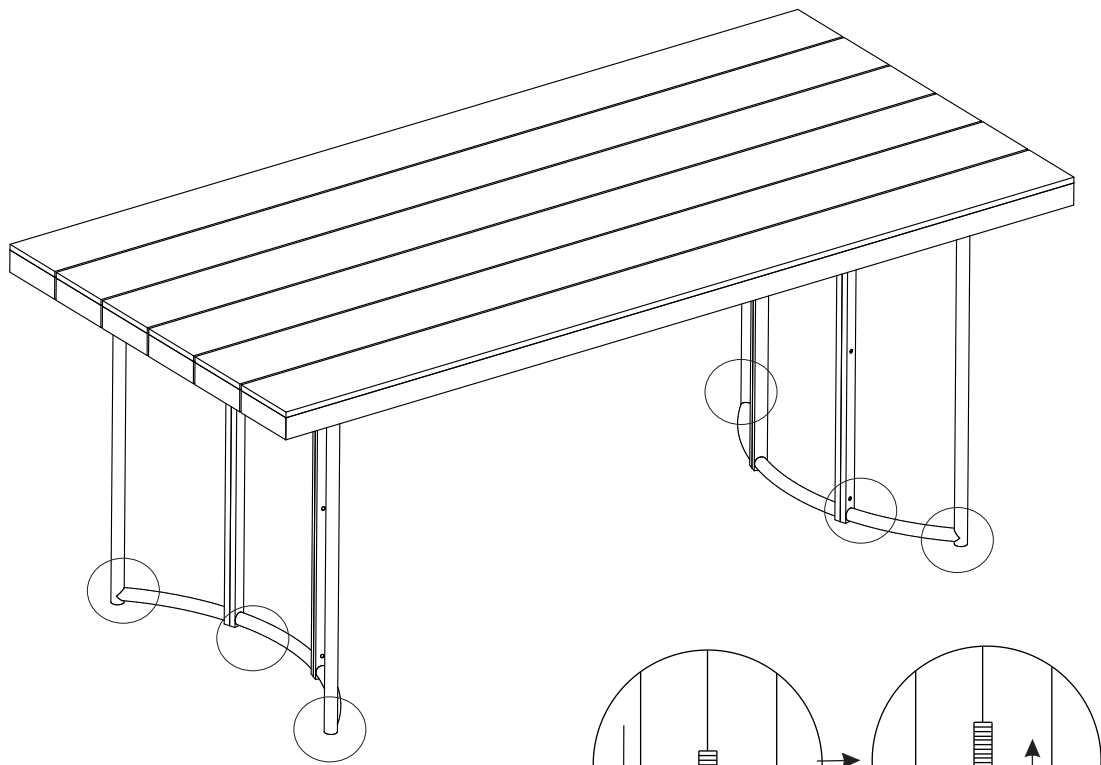
7.1) Attach the First Leg (A) to the Second Support Bar (G) and Third Support Bar (H) using Bolts (1), Washer (5) and Allen Key (6).

7.2) Then secure the First Leg (A) and Third Leg (C) using Bolts (1), Washer (4) and Allen Key (6).

**Do not fully tighten the Bolts.**

## Assembly Steps

### Step 8



Adjust height for balance

Adjust low for balance

Adjust Pre-installed  
Levellers height for balance

With the assistance of your adult partner, stand the Table up. Then EXERT pressure floorward onto the Table with both hands. This pressure will help the Table reach full alignment at all joints. In a sequential manner, gradualli tighten all Bolts and Screws at all joints until evenly secured.

Inspect the Table and make sure all parts are adequately connected.










Adjust the Levellers until the Table is level with the ground.

To adjust the Levellers, get assistance from an adult partner to life/lean and hold the Table while you are working.

**Your Table is ready to be used.**

**This Table can only be used on a flat, level surface.**

## Care & Maintenance

-   Do not put hot items directly on furniture surface.
-   Do not clean furniture with harsh cleansers or polish.
-   To obtain the longest lifespan of your outdoor products, minimizing exposure to direct sunlight is recommended.
-   Children should not climb or jump on the furniture.
-   Do not write on furniture without a padded barrier to protect the surface.
-   To obtain the longest lifespan of your outdoor products, avoid extended and lengthy exposure to rain, snow, and direct sunshine. Whenever possible cover the product and /or place under patio or awnings.
-   Not for commercial use. For residential use only
-   Stains may be removed with mild soap solution and damp cloth.
-   Dust and pick-up spills using a clean, non-colored, lint-free cloth.