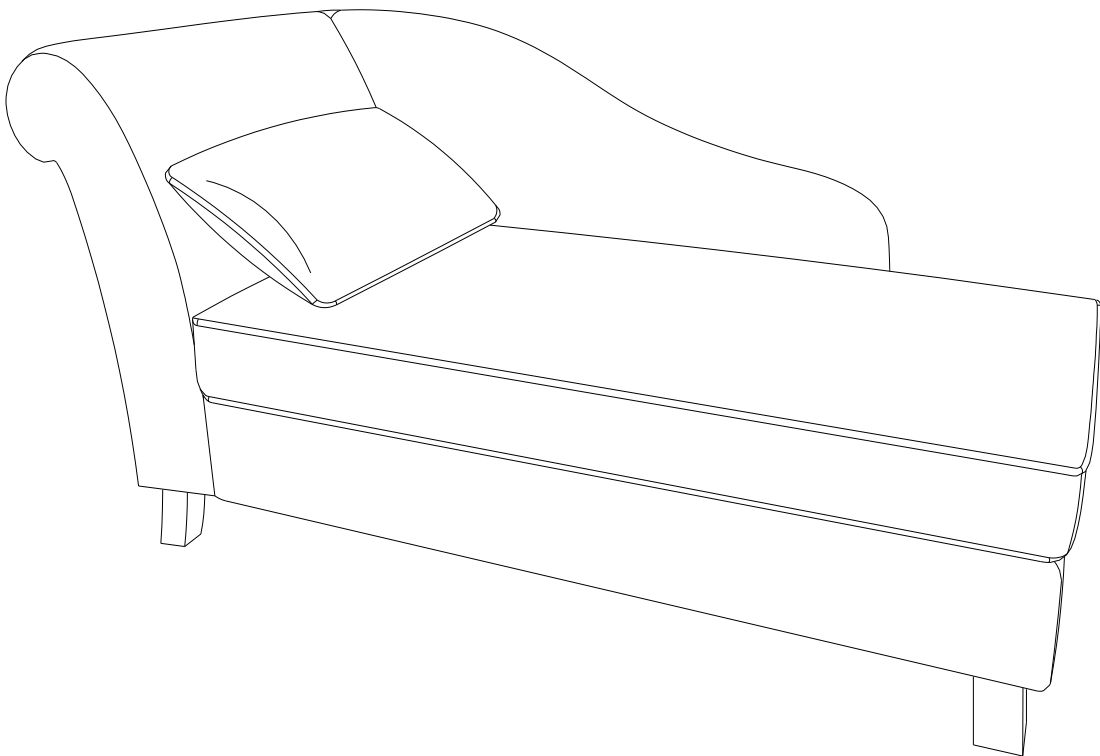


Product Instructions for:

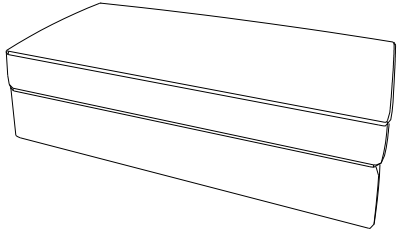
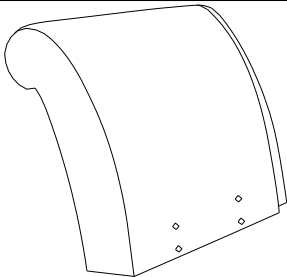
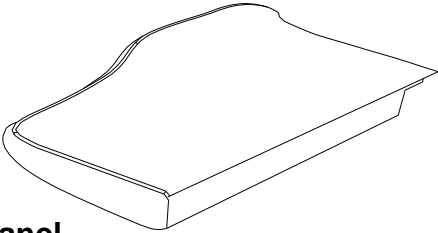

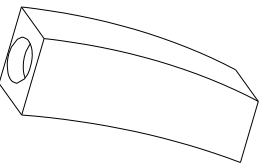
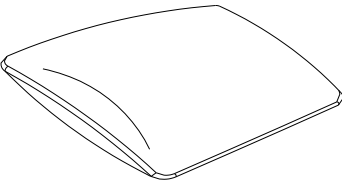


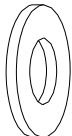



**GREY MICRO STORAGE LOUNGE
KHAKI MICRO STORAGE LOUNGE**



GREY MICRO STORAGE LOUNGE KHAKI MICRO STORAGE LOUNGE

Before beginning assembly, separate all parts and carefully study the parts diagrams below. Review all parts and hardware before disposing of any packaging. You may receive extra hardware with your unit. Call Customer Service for missing hardware. Please see care and cleaning label attached to bottom of lounge.

Parts List

A  Seat	B  Back Panel
C  Side Panel	D  Front Legs
E  Back Legs	F  Pillow
1  Bolt:5/16" * 2-3/8" L	2  Spring Washer
3  Flat Washer	4  Allen Wrench
5  Bolt:5/16" * 2-1/2" L	6  Plastic Caps

GREY MICRO STORAGE LOUNGE KHAKI MICRO STORAGE LOUNGE

Assembly Instructions

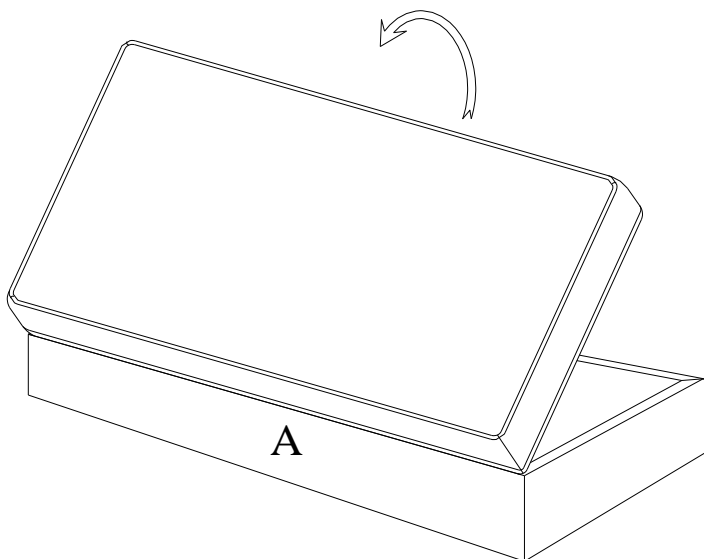


Figure 1

Unpack and lay parts on clean, padded surface like carpet or blanket. Check that you have all parts indicated on the front page.

Open the Seat's (A) cover and keep the Seat's (A) cover open.

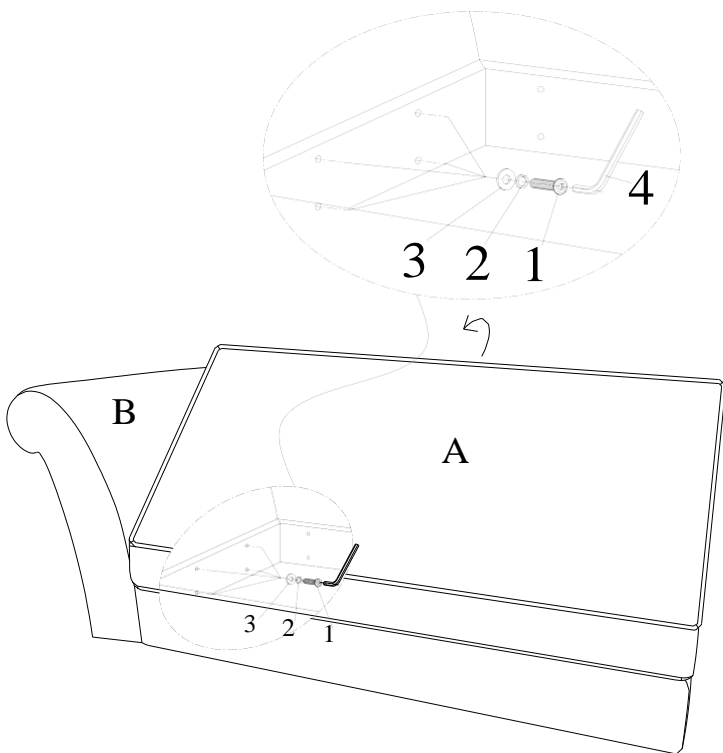
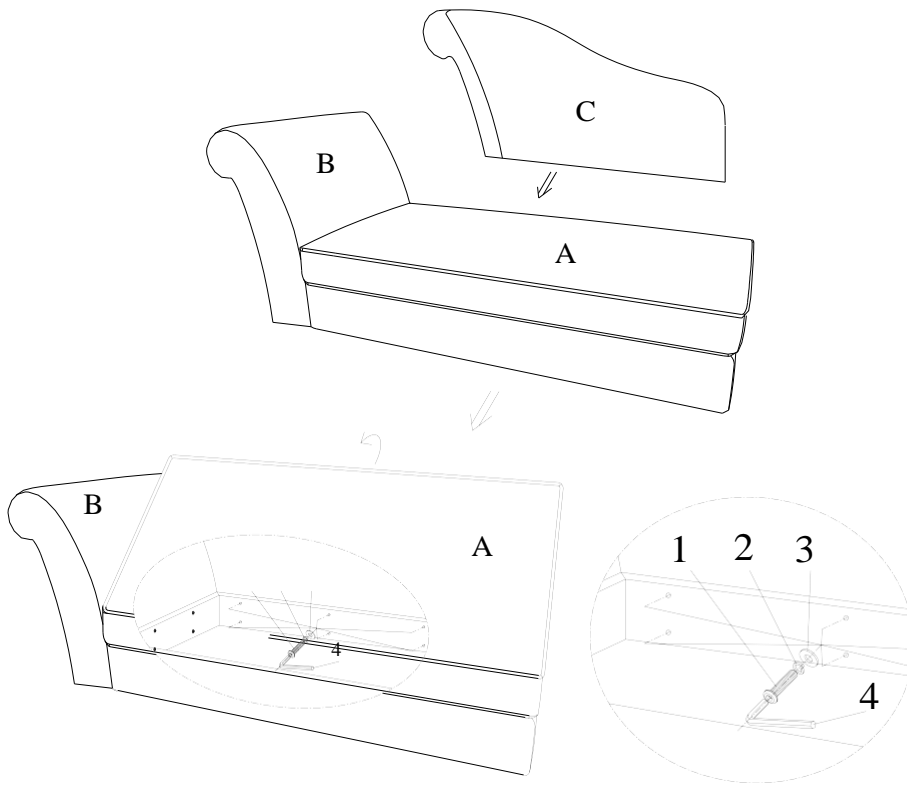


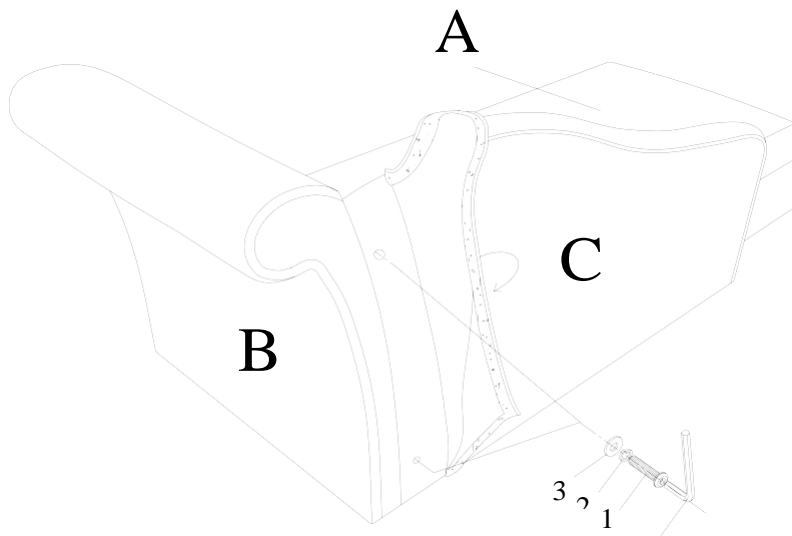
Figure 2

Attach Back Panel (B) to Seat (A) by inserting Bolt (1) through Spring Washer (2) and Flat Washer (3). Tighten them by using Allen Wrench (4) as shown in Figure 2.



Attach Side Panel (C) to Seat (A) and Back Panel (B) by inserting Bolt (1) through Spring Washer (2) and Flat Washer (3). Tighten them by using Allen Wrench (4) as shown in Figure 3.

Figure 3



Lift the Velcro strip from the side of Side Panel (C).

Insert Bolts (1) through Spring Washers (2) and Flat Washers (3) into inside pre-drilled holes. Tighten Bolts (1) by Allen Wrench (4) as shown in Figure 4.

Then close Velcro strip on the side of Side Panel (C).

Figure 4

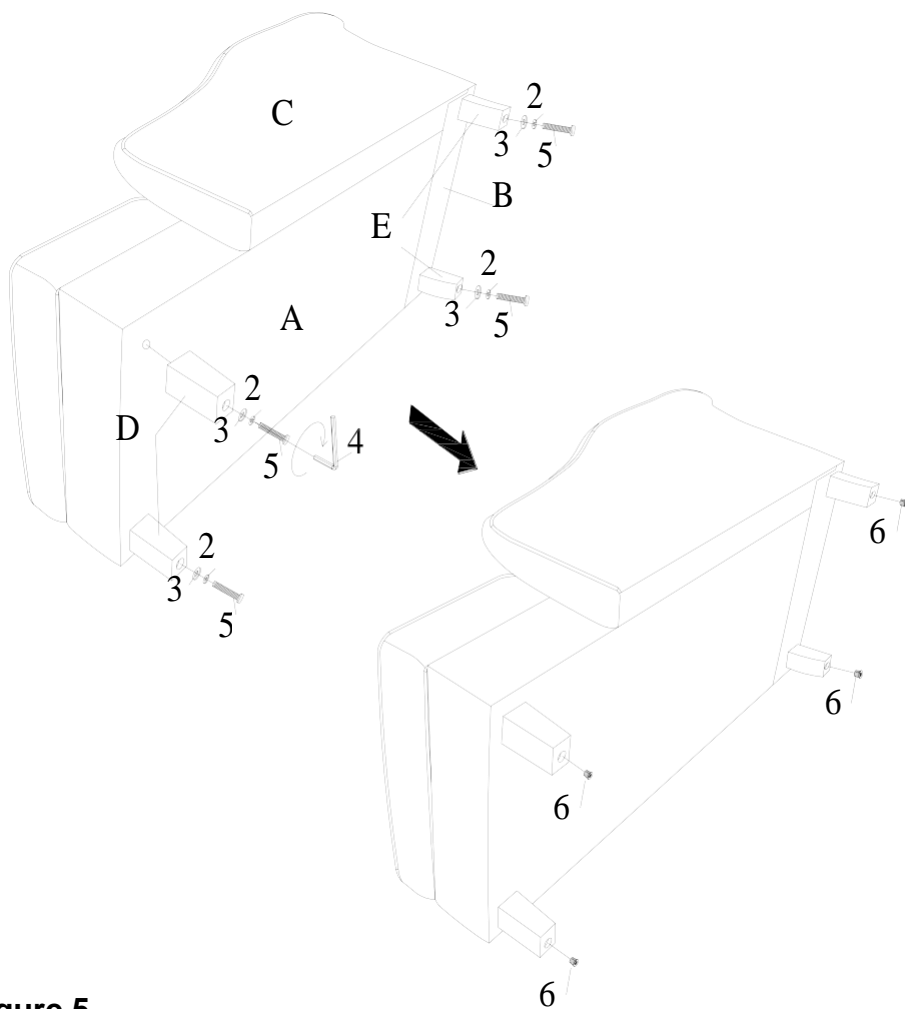


Figure 5

Insert Bolts (5) through Spring Washers (2) and Flat Washers (3) to connect Legs (D) and (E) to assembled unit using pre-drilled holes, then tighten Bolts (5) with Allen Wrench (4).

Plug Plastic Caps (6) into the hole on legs.

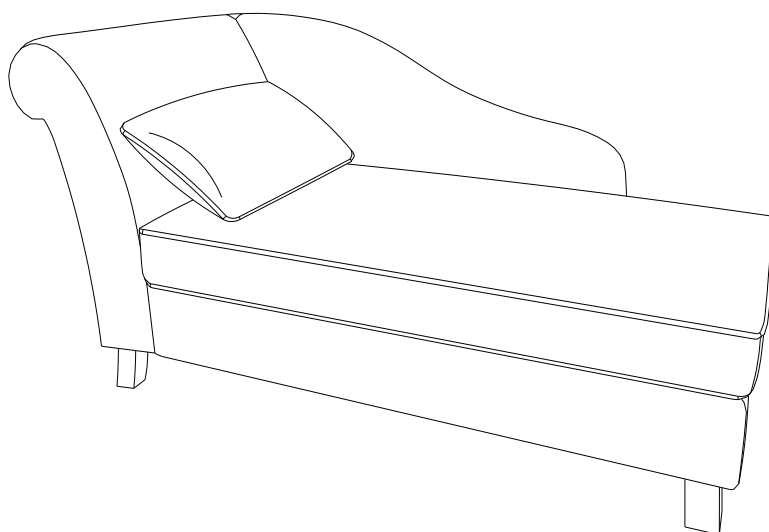


Figure 6

Turn over the lounge.

Then place the Pillow (F) on the lounge as shown.

Now your new lounge is ready to use!

