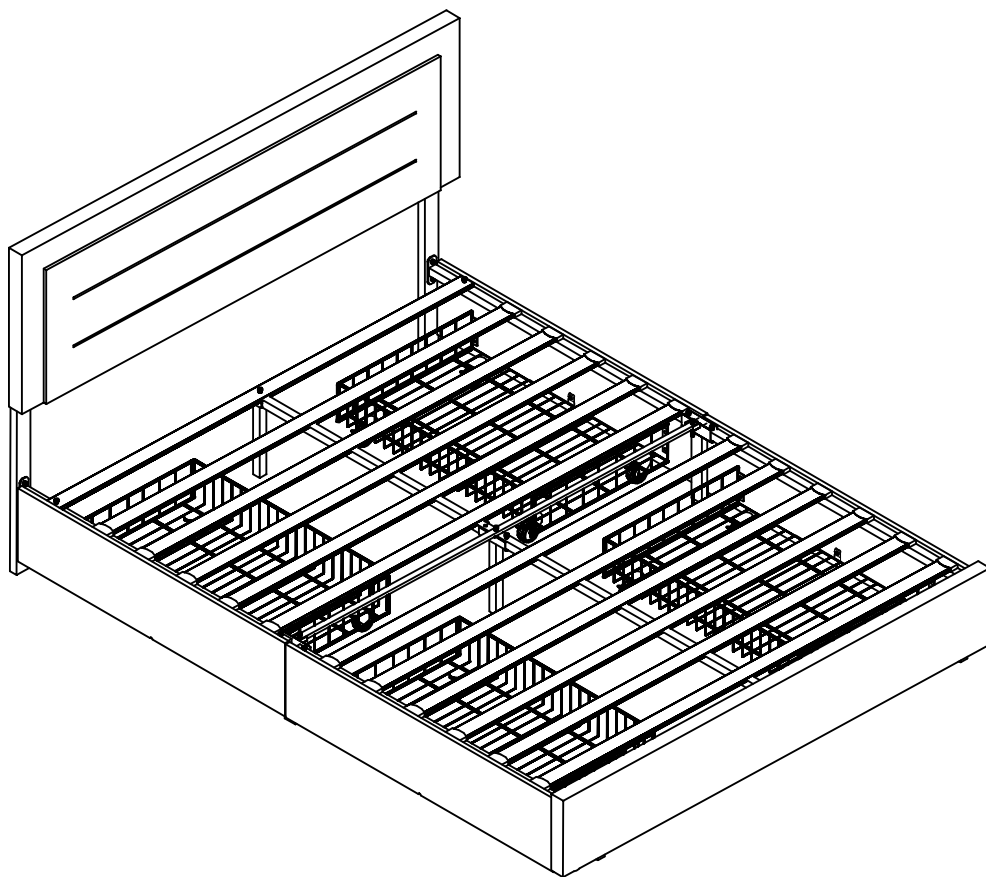


USER'S MANUAL



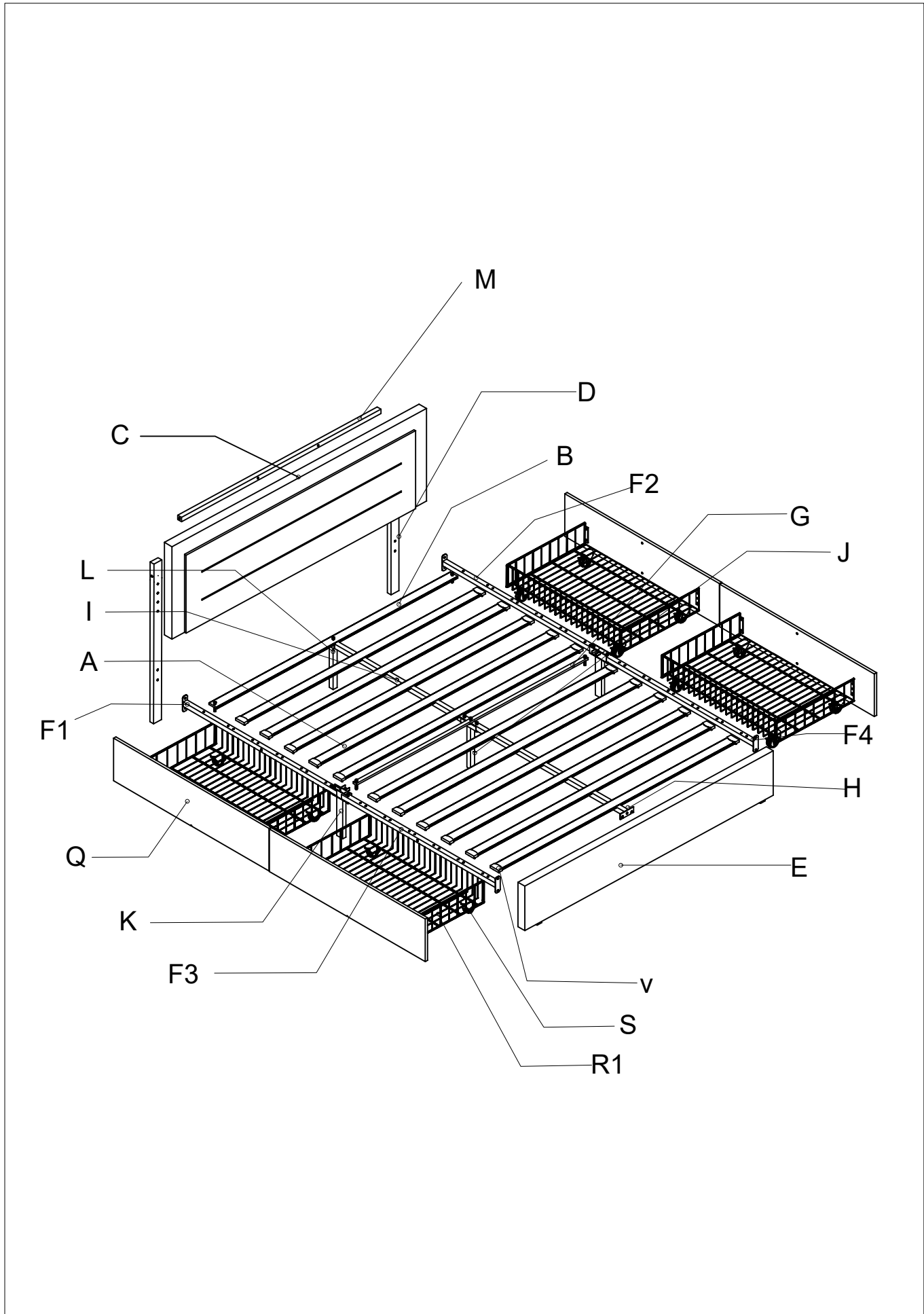
Instruction Manual

Thank you for shopping with us!

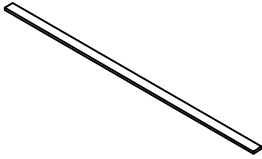
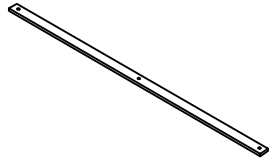
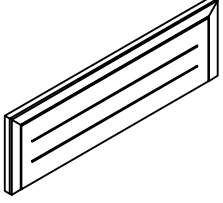
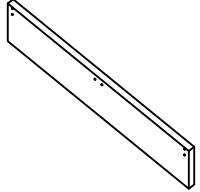
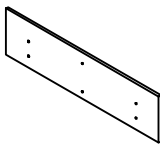
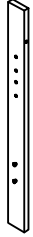
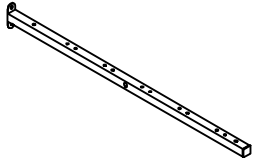
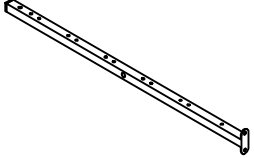
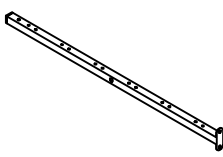
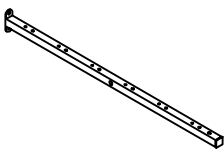
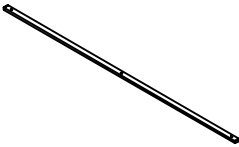
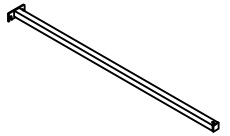
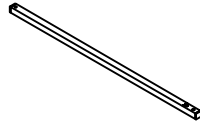
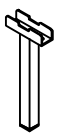
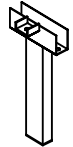
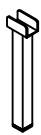
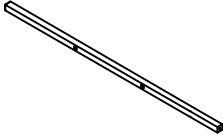
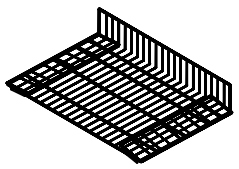
We appreciate your purchase and are ready to be at your service!

If you find parts missing, broken, or hard to put together or when you are not satisfied or have any valuable suggestions, please do not hesitate to contact us first!

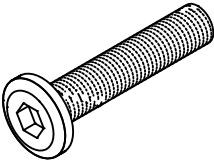
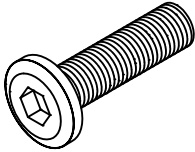
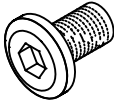
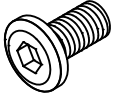
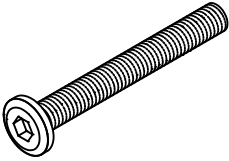
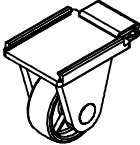
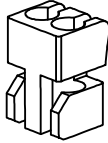
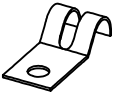



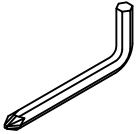
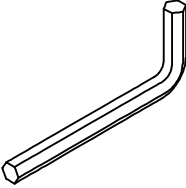
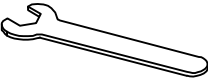
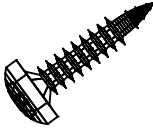
We will definitely give you a satisfactory solution or answer then!



Parts List(EN) / Teile Liste(DE)

<p>A Slat</p>  <p>11PCS</p>	<p>B Middle cross beam</p>  <p>1PCS</p>	<p>C Headboard</p>  <p>1PCS</p>	<p>E Footboard</p>  <p>1PCS</p>
<p>Q Drawer panel</p>  <p>4PCS</p>	<p>D Headboard side leg</p>  <p>2PCS</p>	<p>F1 Side cross beam</p>  <p>1PCS</p>	<p>F2 Side cross beam</p>  <p>1PCS</p>
<p>F3 Side cross beam</p>  <p>1PCS</p>	<p>F4 Side cross beam</p>  <p>1PCS</p>	<p>G Middle cross beam</p>  <p>1PCS</p>	<p>H Back Middle cross beam</p>  <p>1PCS</p>
<p>I Front Middle cross beam</p>  <p>1PCS</p>	<p>J Middle leg</p>  <p>1PCS</p>	<p>K Edge of the foot</p>  <p>2PCS</p>	<p>L Front Leg</p>  <p>1PCS</p>
<p>M The connector of Headboard side leg</p>  <p>1PCS</p>	<p>R1 Drawer</p>  <p>4PCS</p>		

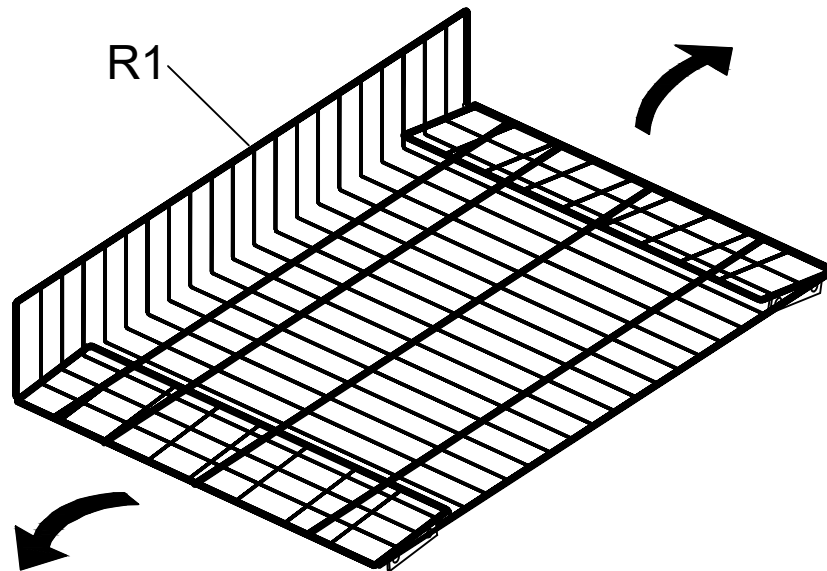
Parts List(EN) / Teile Liste(DE)

<p>N Innerscrew</p>  <p>M8x45mm</p> <p>5PCS</p>	<p>N2 Innerscrew</p>  <p>M8x35mm</p> <p>13PCS</p>	<p>N3 Innerscrew</p>  <p>M8x16mm</p> <p>8PCS</p>	<p>U Screw</p>  <p>M6x12mm</p> <p>24PCS</p>
<p>U2 Screw</p>  <p>M6x60mm</p> <p>2PCS</p>	<p>S Drawer wheel</p>  <p>16PCS</p>	<p>R Drawer connector</p>  <p>8PCS</p>	<p>O</p>  <p>4PCS</p>
<p>V Edge slab</p>  <p>22+2PCS</p>	<p>W Anti slip nut</p>  <p>M8</p> <p>4PCS</p>	<p>Y Plain Washer</p>  <p>8x17</p> <p>2PCS</p>	<p>P Inner allen wrench</p>  <p>D4</p> <p>1PCS</p>
<p>P2 Inner allen wrench</p>  <p>D5</p> <p>1PCS</p>	<p>P3 Open end wrench</p>  <p>14MM</p> <p>1PCS</p>	<p>P4 screw</p>  <p>D5x35mm</p> <p>2PCS</p>	

Assembly Steps(EN) / Montageschritte(DE)

STEP 1

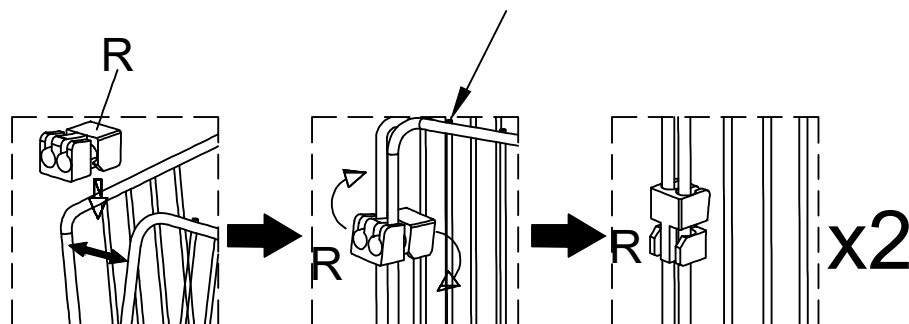
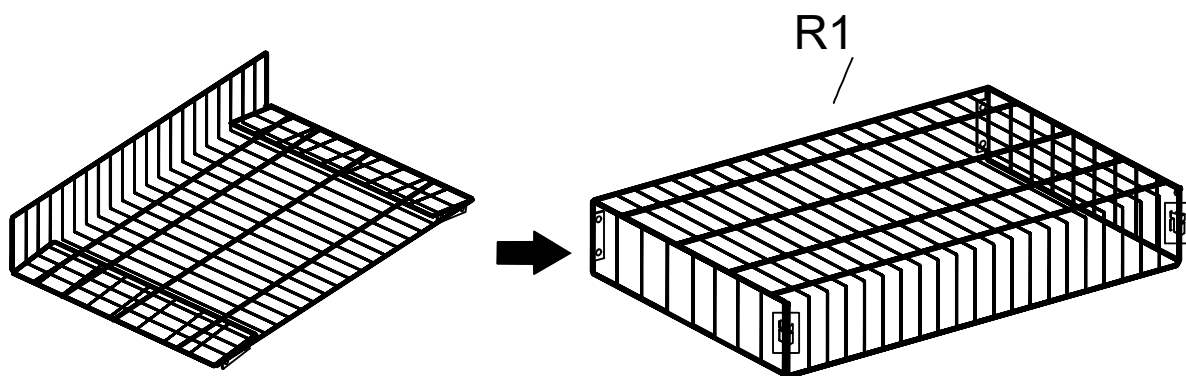
Unfold the drawer sides



x4

STEP 2

Unfold the drawer sides and connect the sides by the clamps



x4

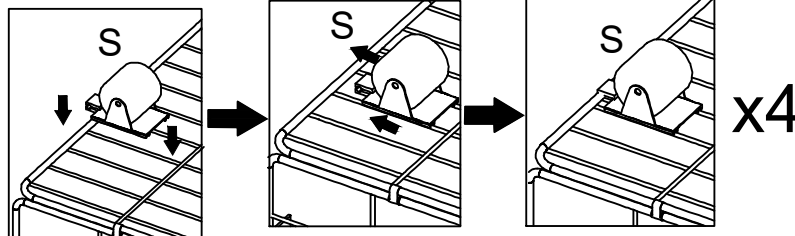
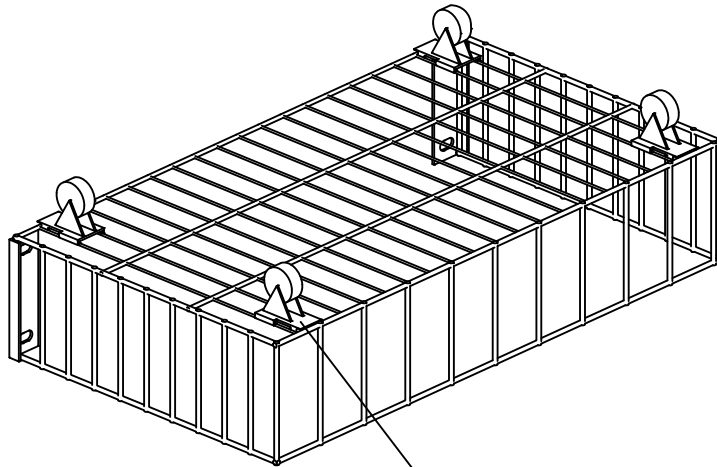


R x 8PCS

Assembly Steps(EN) / Montageschritte(DE)

STEP 3

Insert the wheels onto the bottom of the drawer



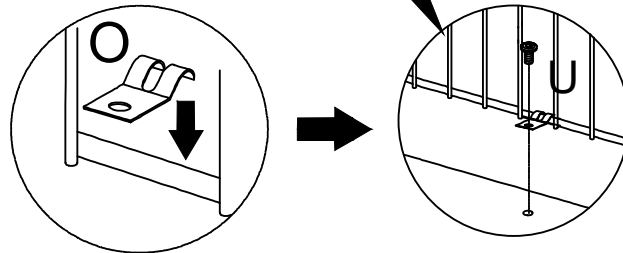
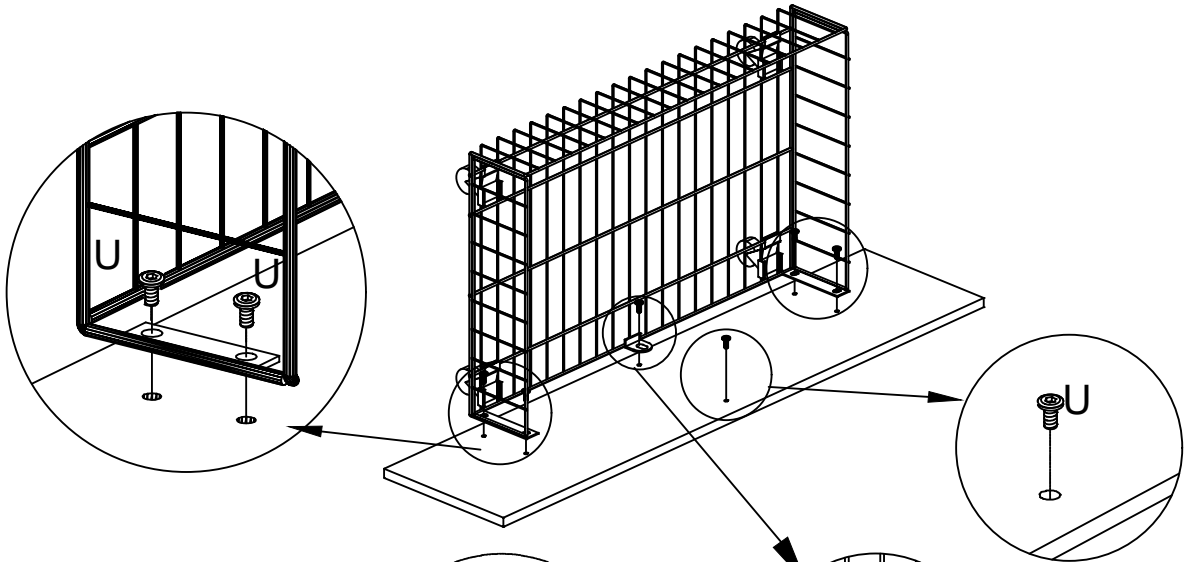
x4



S x 16PCS

STEP 4

Fix the drawer into the drawer front



x4



O x 4PCS



U x 24PCS

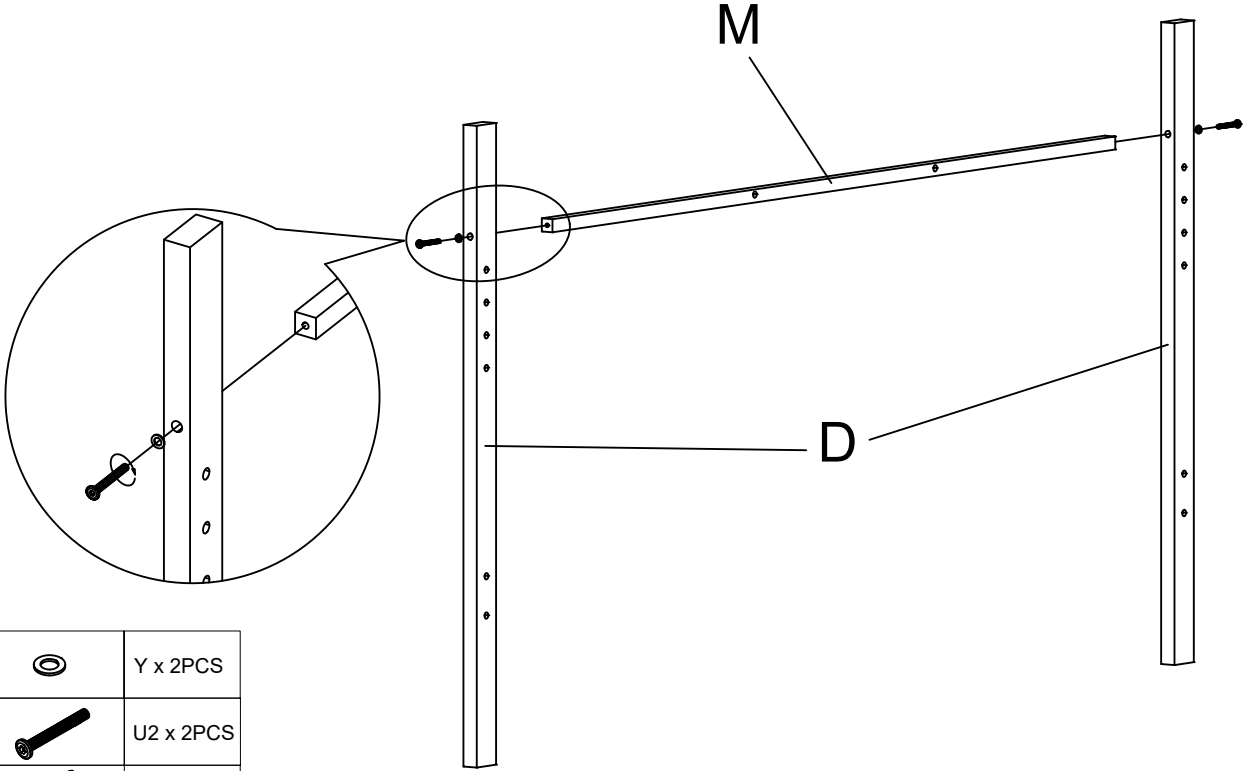





P x 1PCS

Assembly Steps(EN) / Montageschritte(DE)

STEP 5

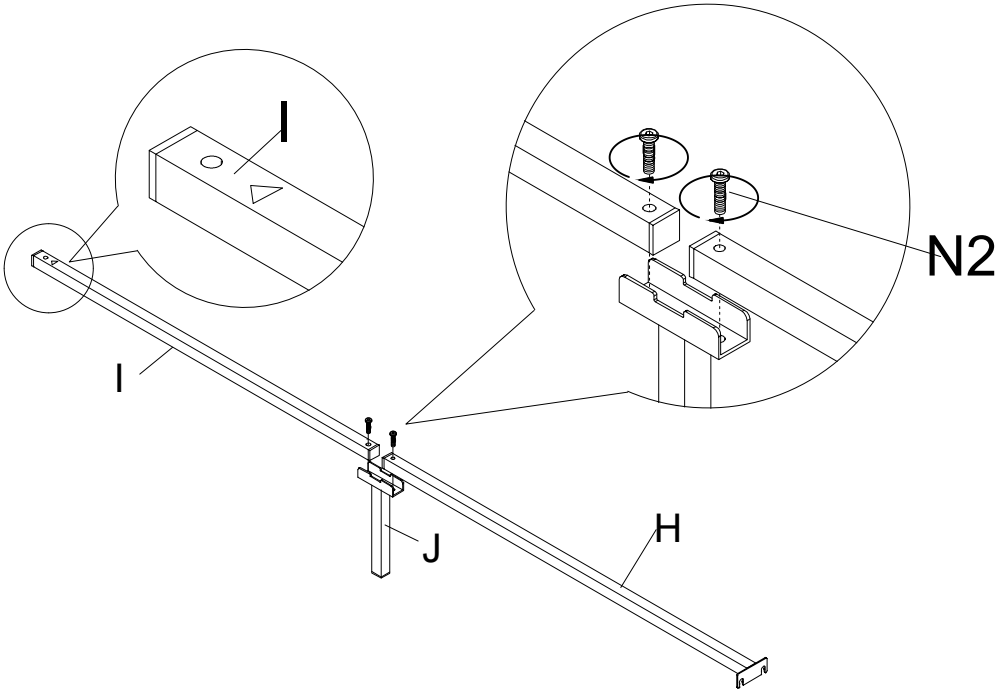
Install Connector M into Headboard side leg D





	Y x 2PCS
	U2 x 2PCS
	P x 1pc

STEP 6

Please note the middle crossbeam (part I), which needs to be installed in the direction of the red arrow as shown in the picture, with the red arrow pointing to the front.

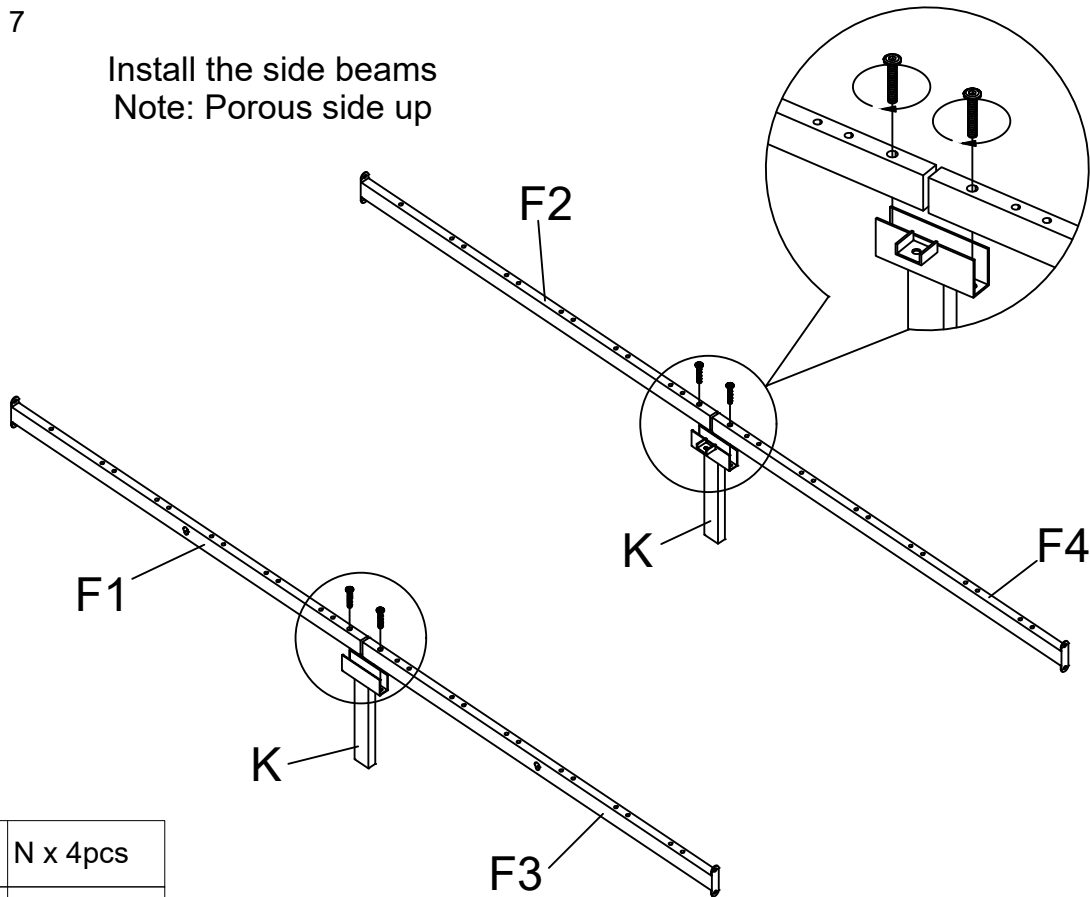




	N2 x 2pcs
	P2 x 1pc

Assembly Steps(EN) / Montageschritte(DE)

STEP 7

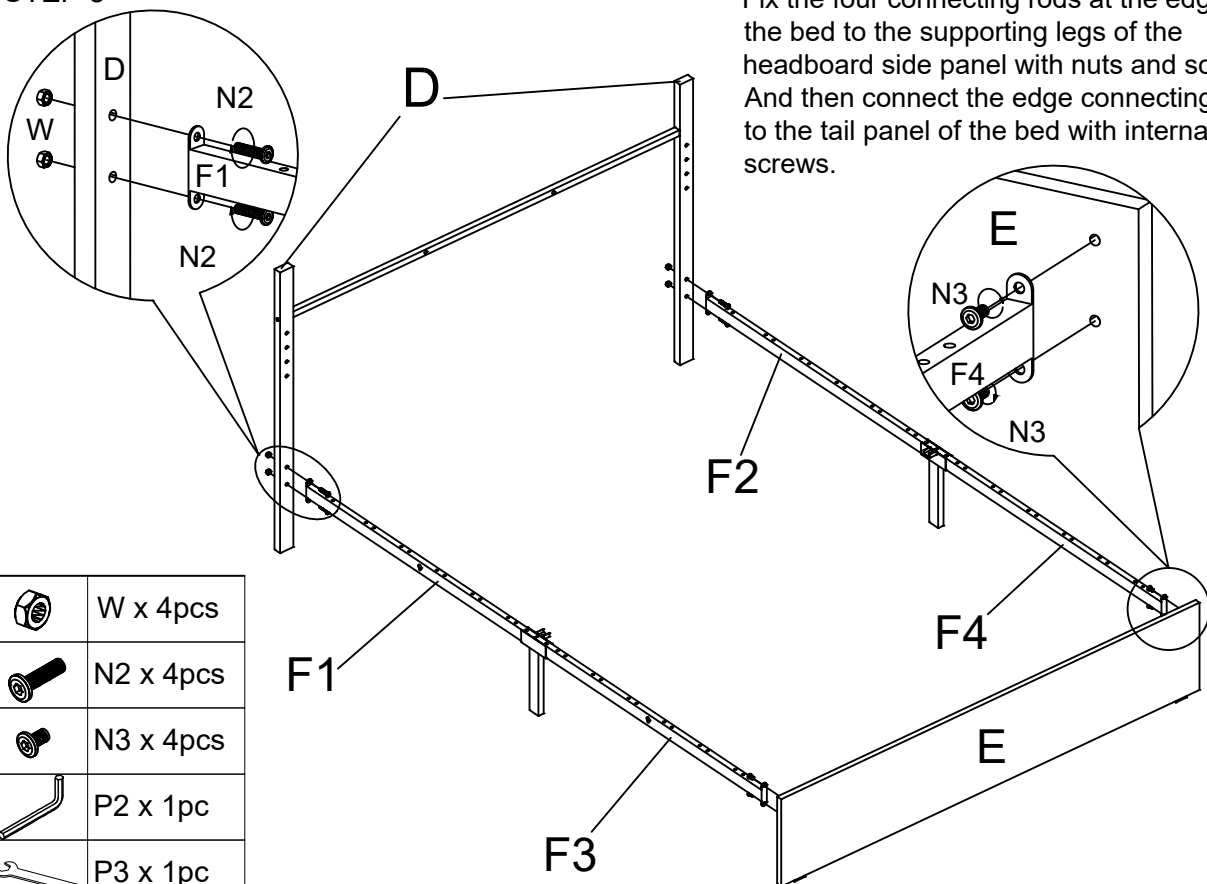
Install the side beams
Note: Porous side up








	N x 4pcs
	P2 x 1pc

STEP 8

Fix the four connecting rods at the edge of the bed to the supporting legs of the headboard side panel with nuts and screws. And then connect the edge connecting rods to the tail panel of the bed with internal screws.

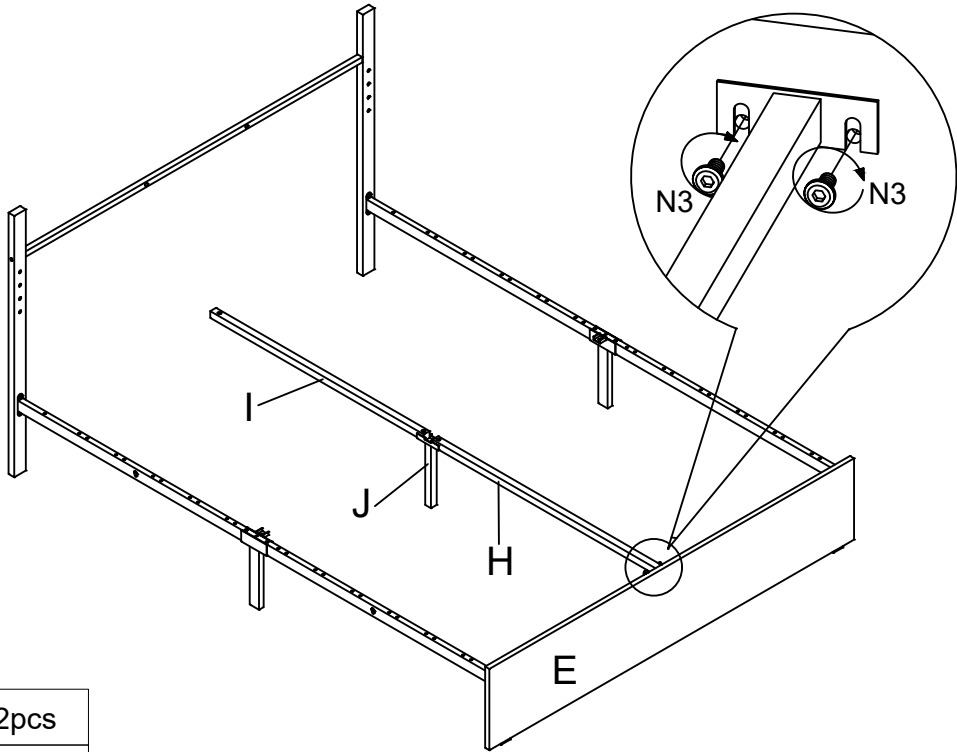




	W x 4pcs
	N2 x 4pcs
	N3 x 4pcs
	P2 x 1pc
	P3 x 1pc

Assembly Steps(EN) / Montageschritte(DE)

STEP 9

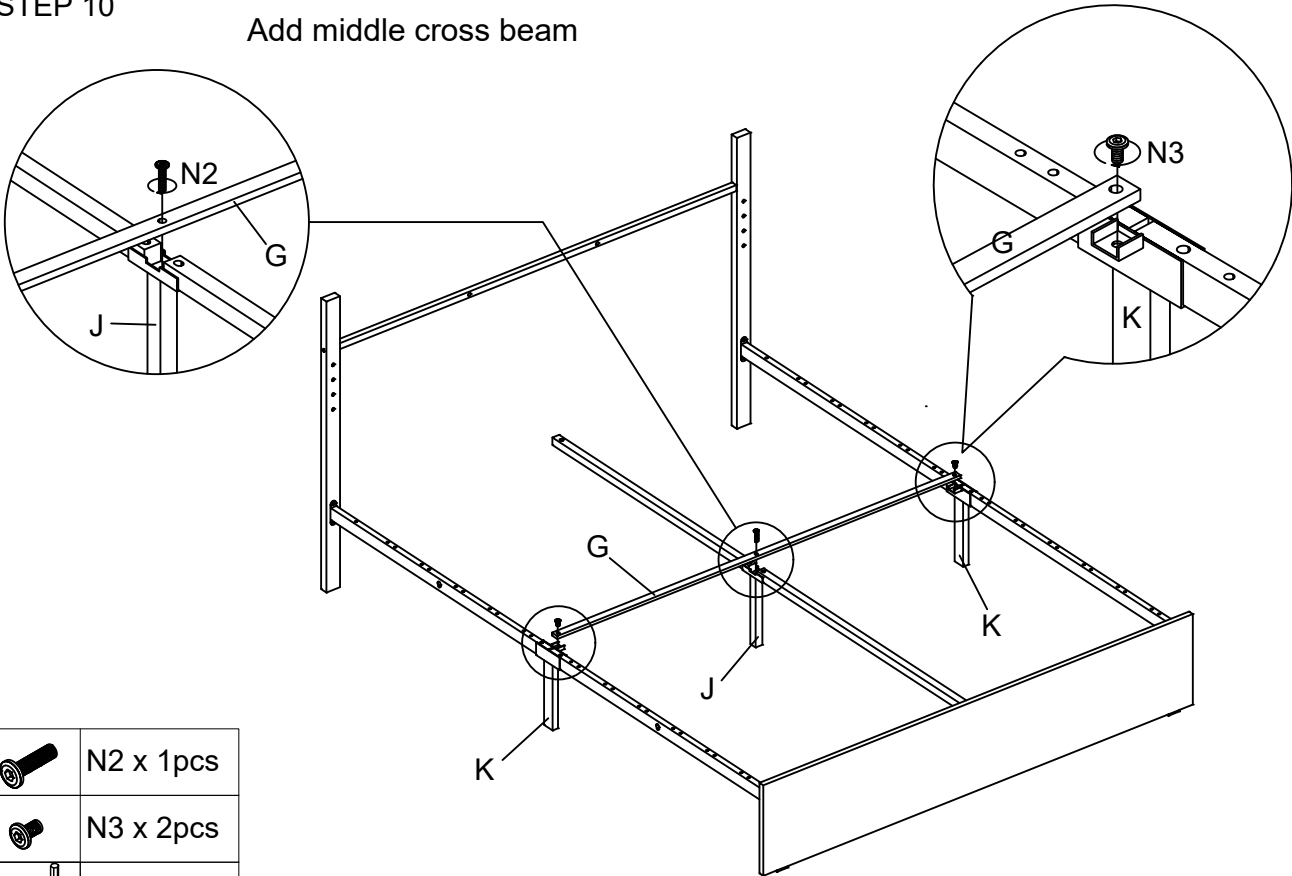
Loosen the screw in the middle of the footboard, hang the bracket, and tighten the inner screw.






	N3 x 2pcs
	P2 x 1pcs

STEP 10

Add middle cross beam

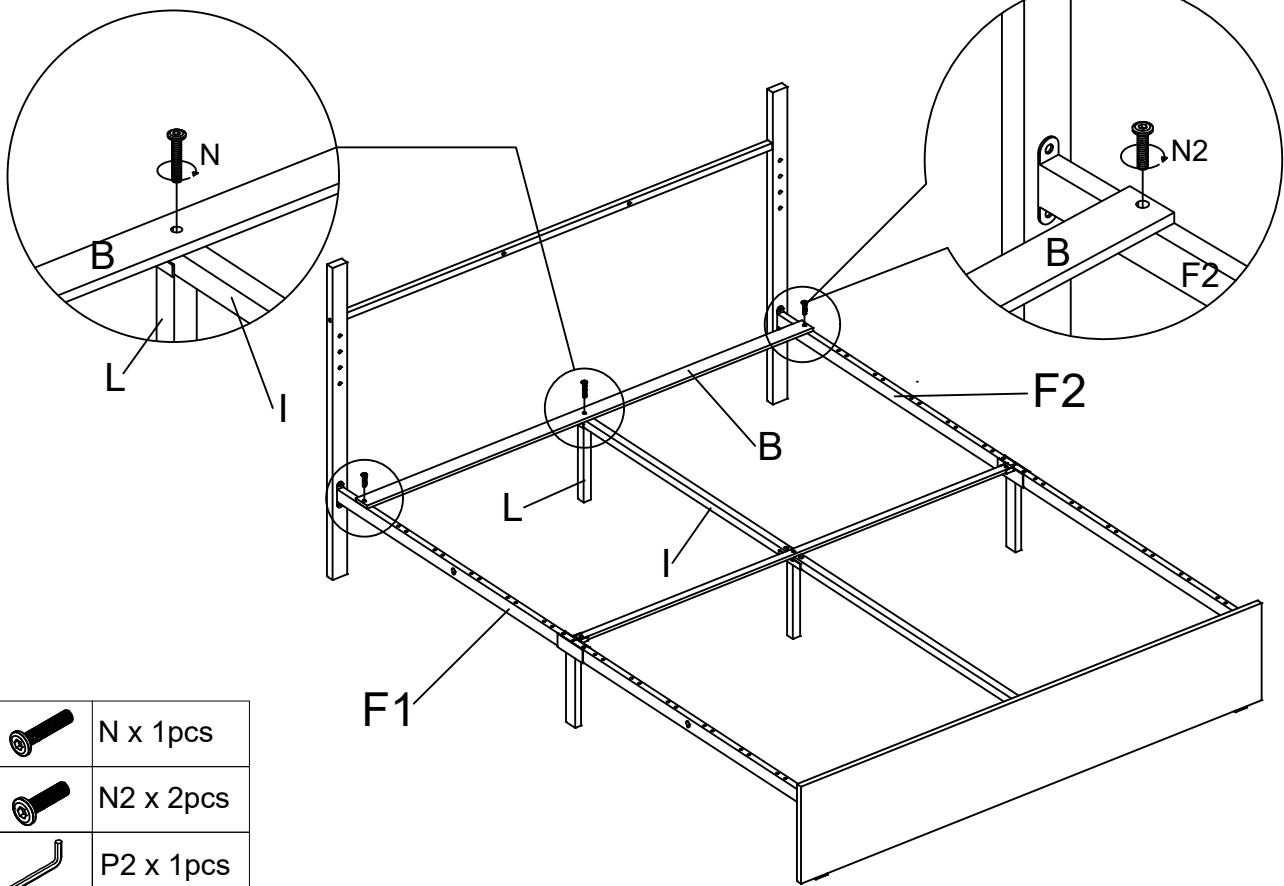





	N2 x 1pcs
	N3 x 2pcs
	P2 x 1pc

Assembly Steps(EN) / Montageschritte(DE)

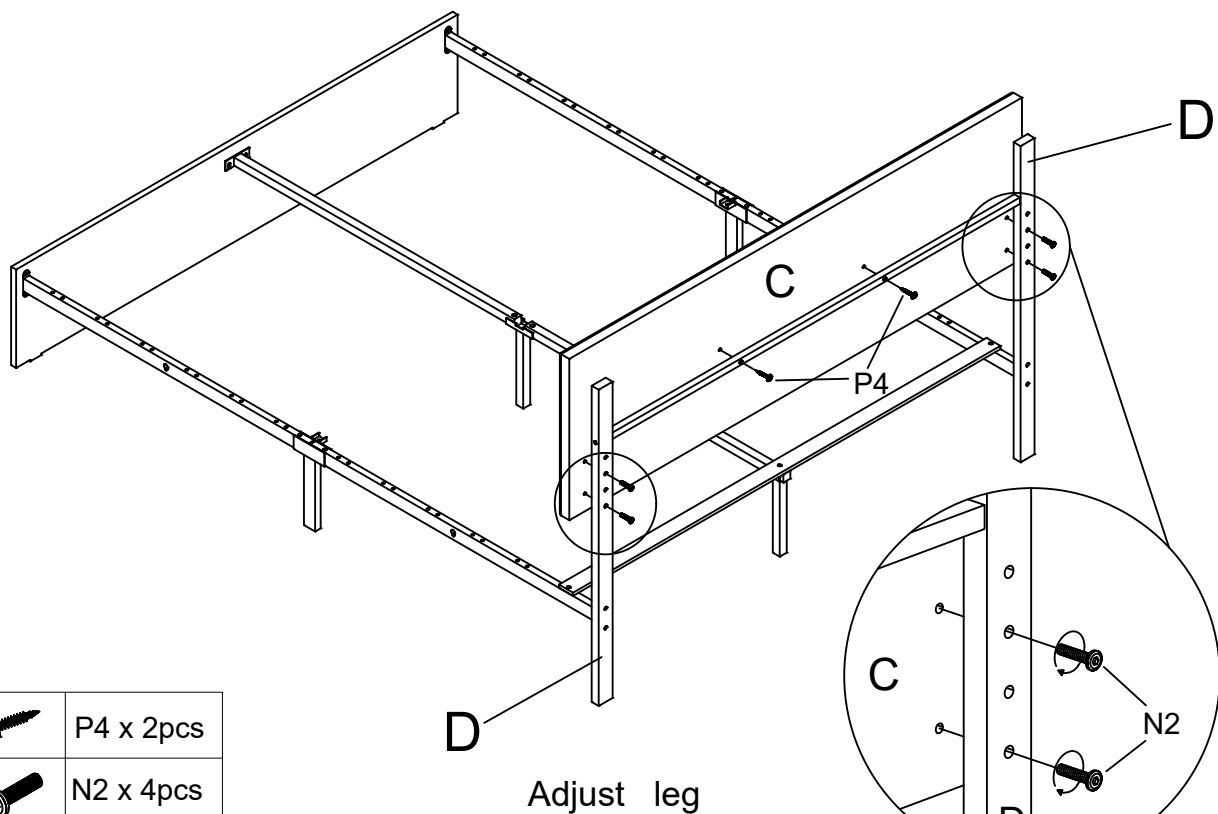
STEP 11



Add cross beam under headboard



	N x 1pcs
	N2 x 2pcs
	P2 x 1pcs

STEP 12

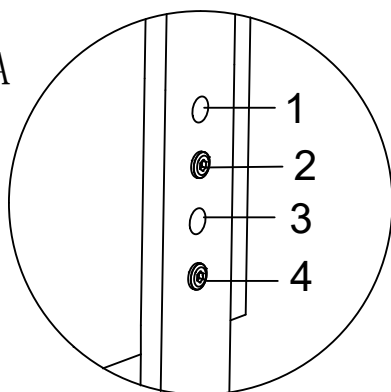


	P4 x 2pcs
	N2 x 4pcs
	P2 x 1pcs

Assembly Steps(EN) / Montageschritte(DE)

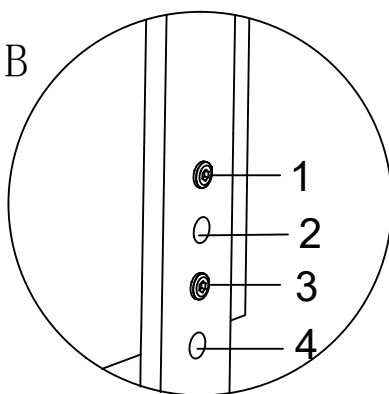
STEP 13

Plan A



Fits a 10 inch thick mattress when attach screws to Hole 2 & Hole 4.

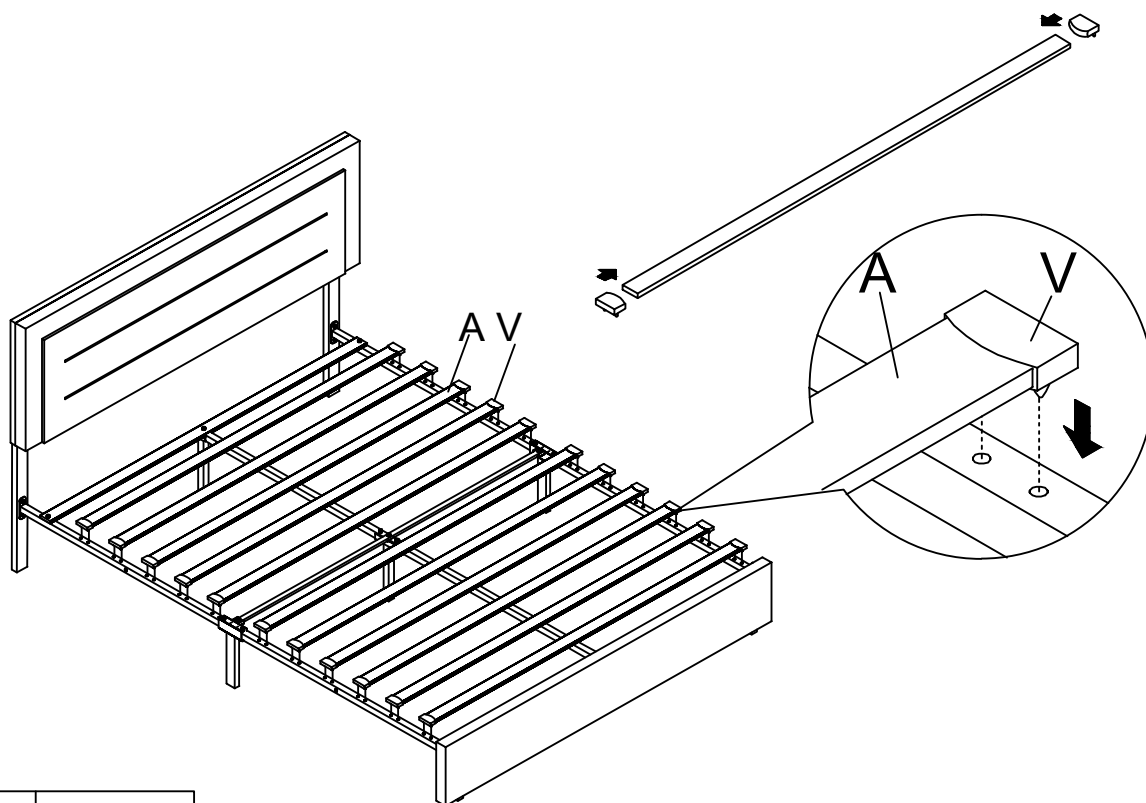
Plan B



Fits a 12 inch thick mattress when attach screws to Hole 1 & Hole 3.

STEP 14

Place the lids over the ends of the slats.

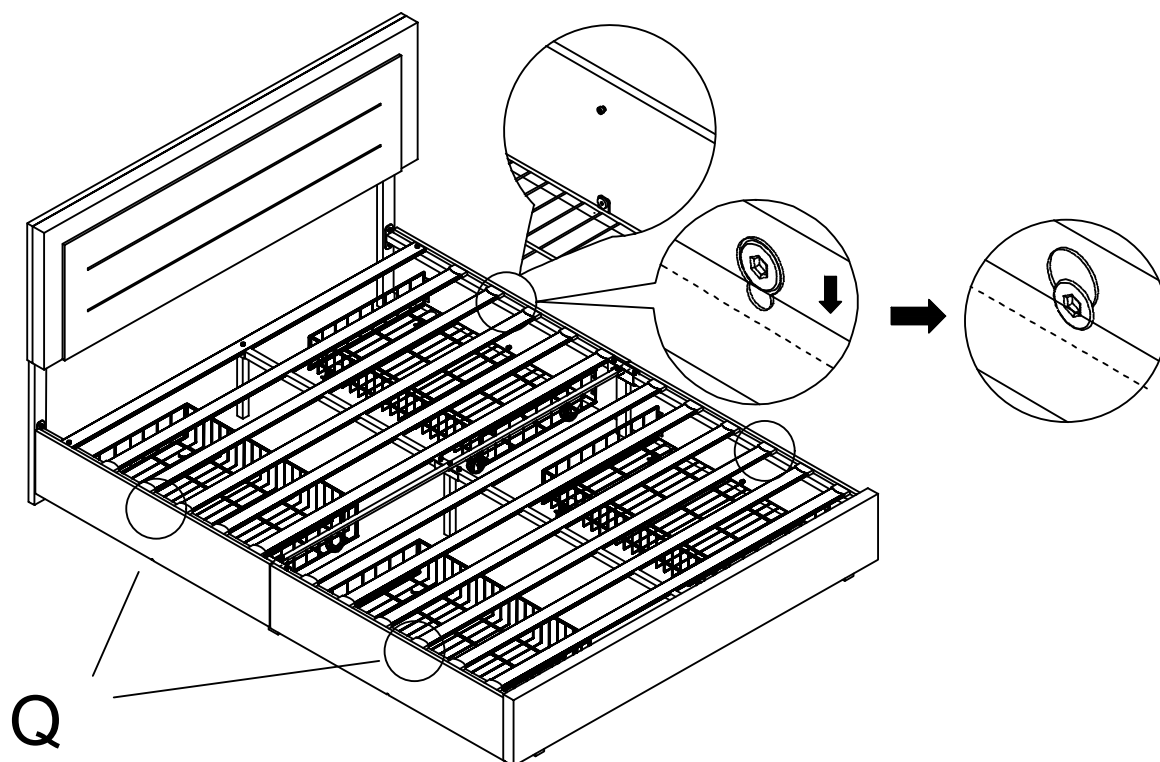


V x 22pcs

Assembly Steps(EN) / Montageschritte(DE)

STEP 15

Note :Attach the screw (mentioned in Step6)
match with the hole of part F1,F2,F3,F4.



STEP 16

