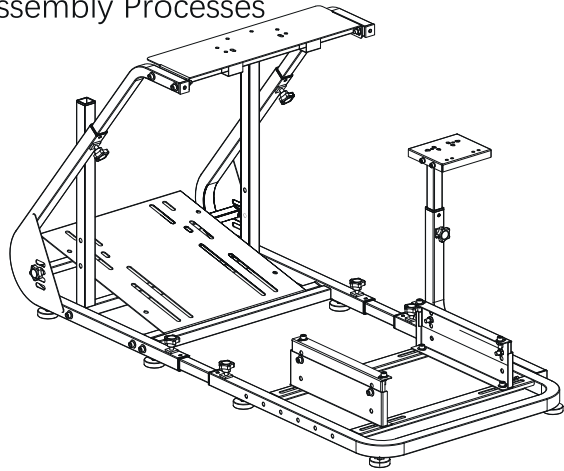
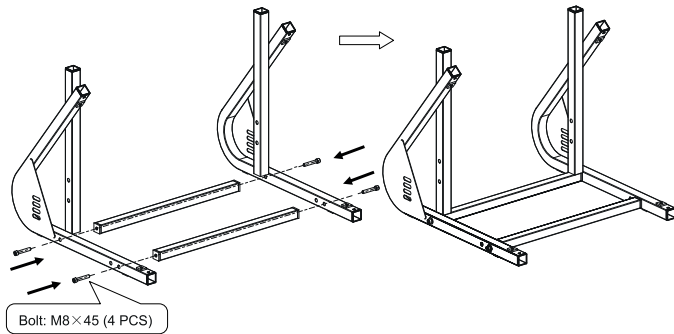


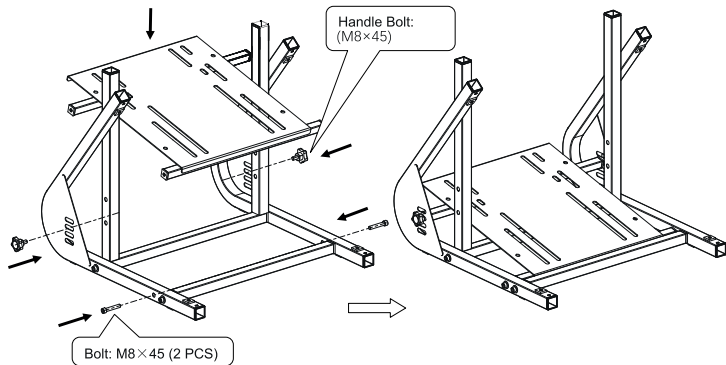
Assembly Processes



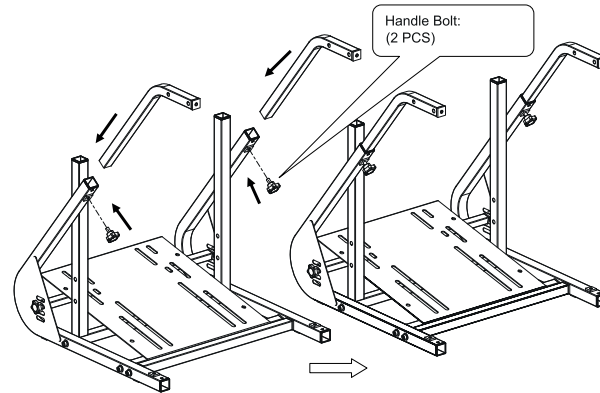
1. Assemble the left and right retaining stand with 4 pieces of the bolt(M8×45)



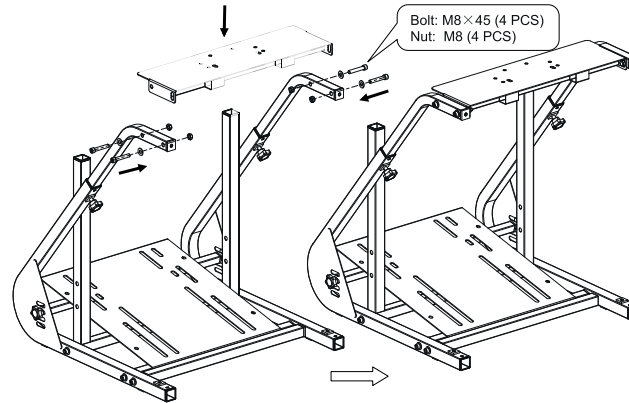
2. Assemble the base plate support stand with 2 pieces of the Handle Bolt (M8×45) 、 2 pieces of the bolt (M8×45)



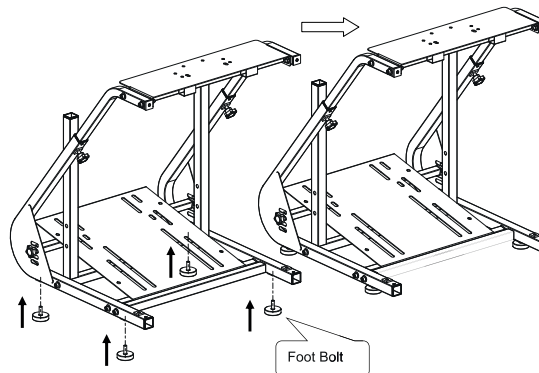
3. Assemble left and right adjusting stand with 2 pieces of the Handle Bolt



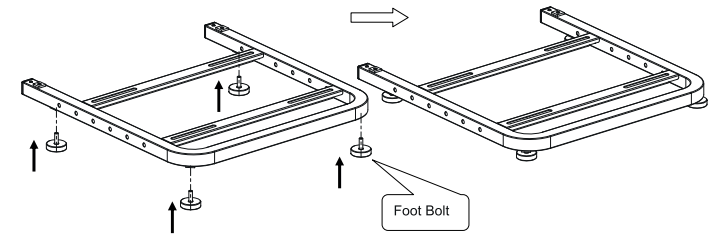
4. Assemble the steering wheel mounting stand with 4 pieces of the bolt (M8×45) and 4 pieces of the nut (M8)



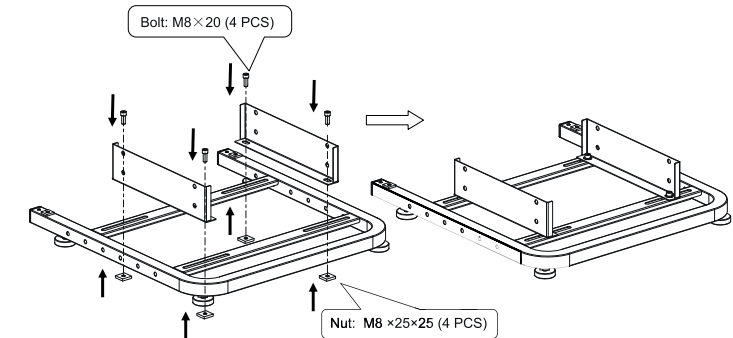
5. Assemble 4 pieces of the anti-skid foot bolt (M8×20) to the frontpart stand



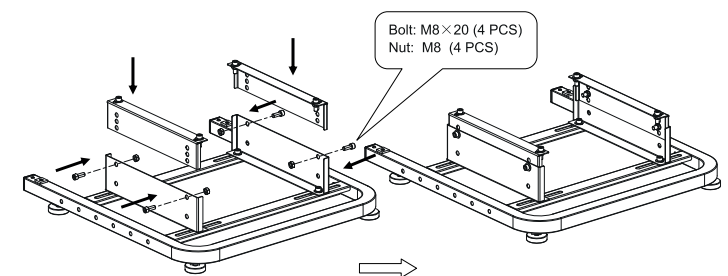
6. Assemble 4 pieces of the anti-skid foot bolt to the afterpart stand



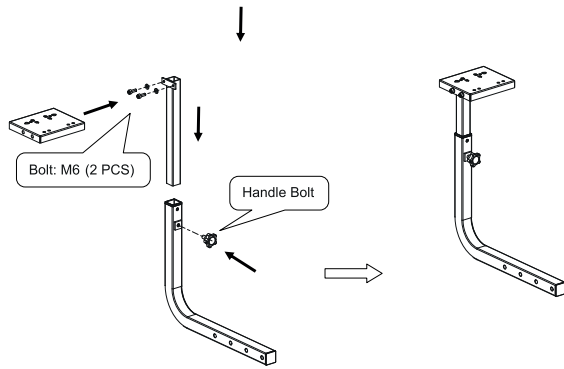
7. Assemble the seat mounting stand with 4 pieces of the bolt (M8×20) and 4 pieces of the Square Nut (M8 ×25×25×5)



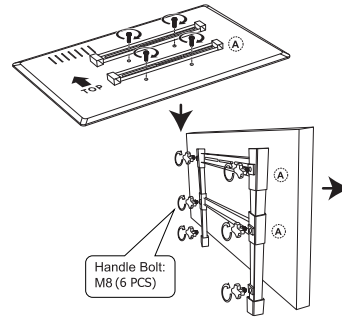
8. Assemble the seat mounting stand with 4 pieces of the bolt (M8×20) and 4 pieces of the Square Nut (M8 ×25×25×5)



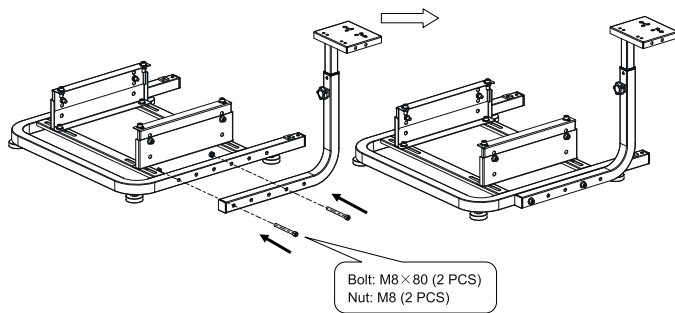
9. Assemble the gear mounting stand with 2 pieces of the bolt (M6) and 1 pieces of the Handle Bolt



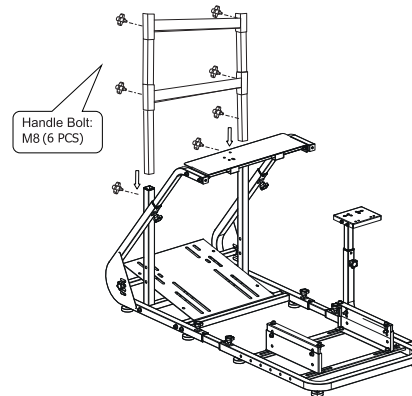
12. Assemble the tv / monitor Stand



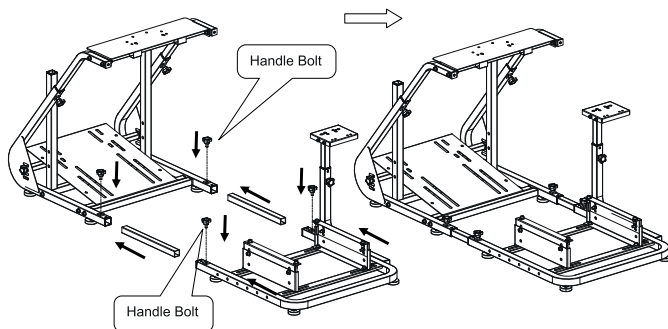
10 Assemble the elbow fixing stand with 2 pieces of the bolt (M8x80) and 2 pieces of the nut (M8)



13. Attach 2pcs bar with 6pcs (M8) Handle Bolt



11 Connect the frontpart stand and the afterpart stand with 4 pieces of the Handle Bolt



Product Assembly Videos

