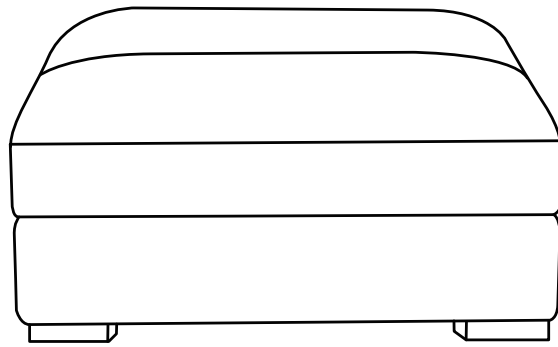
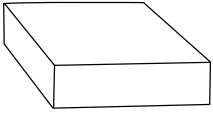
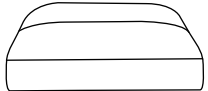
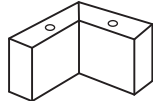
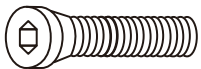




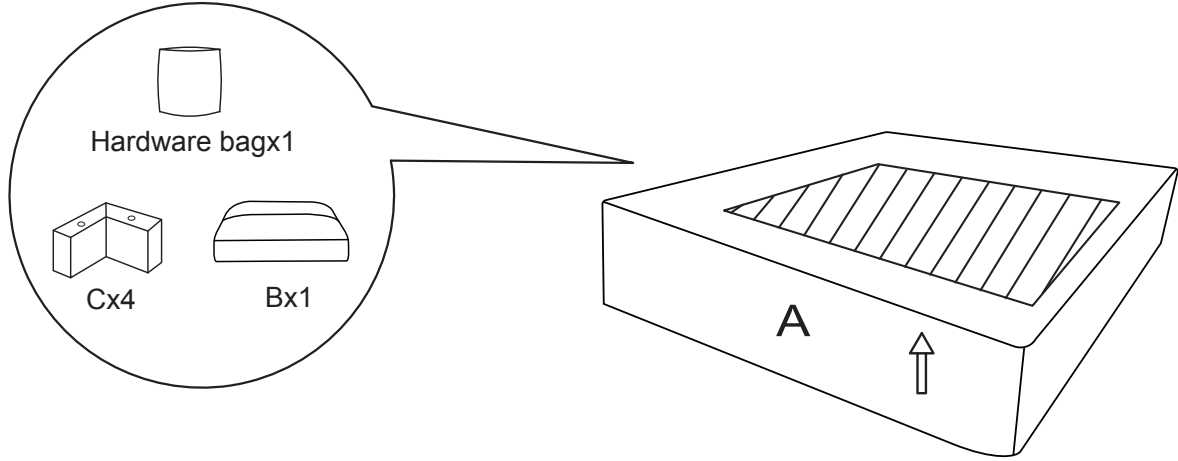
# ASSEMBLY INSTRUCTION



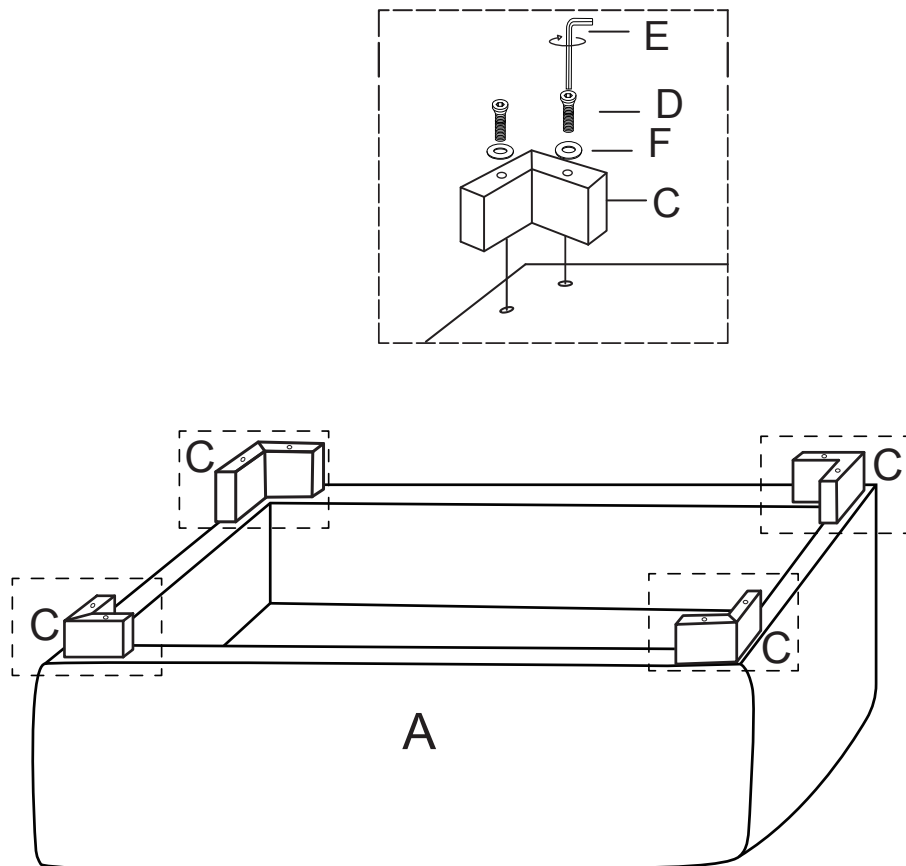
## PARTS IDENTIFICATION

A	Seat		1PC
B	Seat Cushion		1PC
C	Wood Leg		4PCS
D	Allent Screw 5/16"*50mm		8PCS
E	Allent Key M5		1PC
F	Washer		8PCS

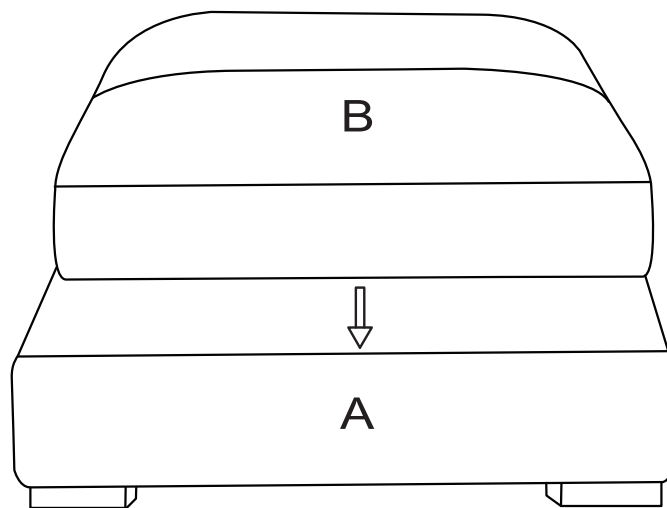
# STEP 1



# STEP 2



### STEP 3



### STEP 4

