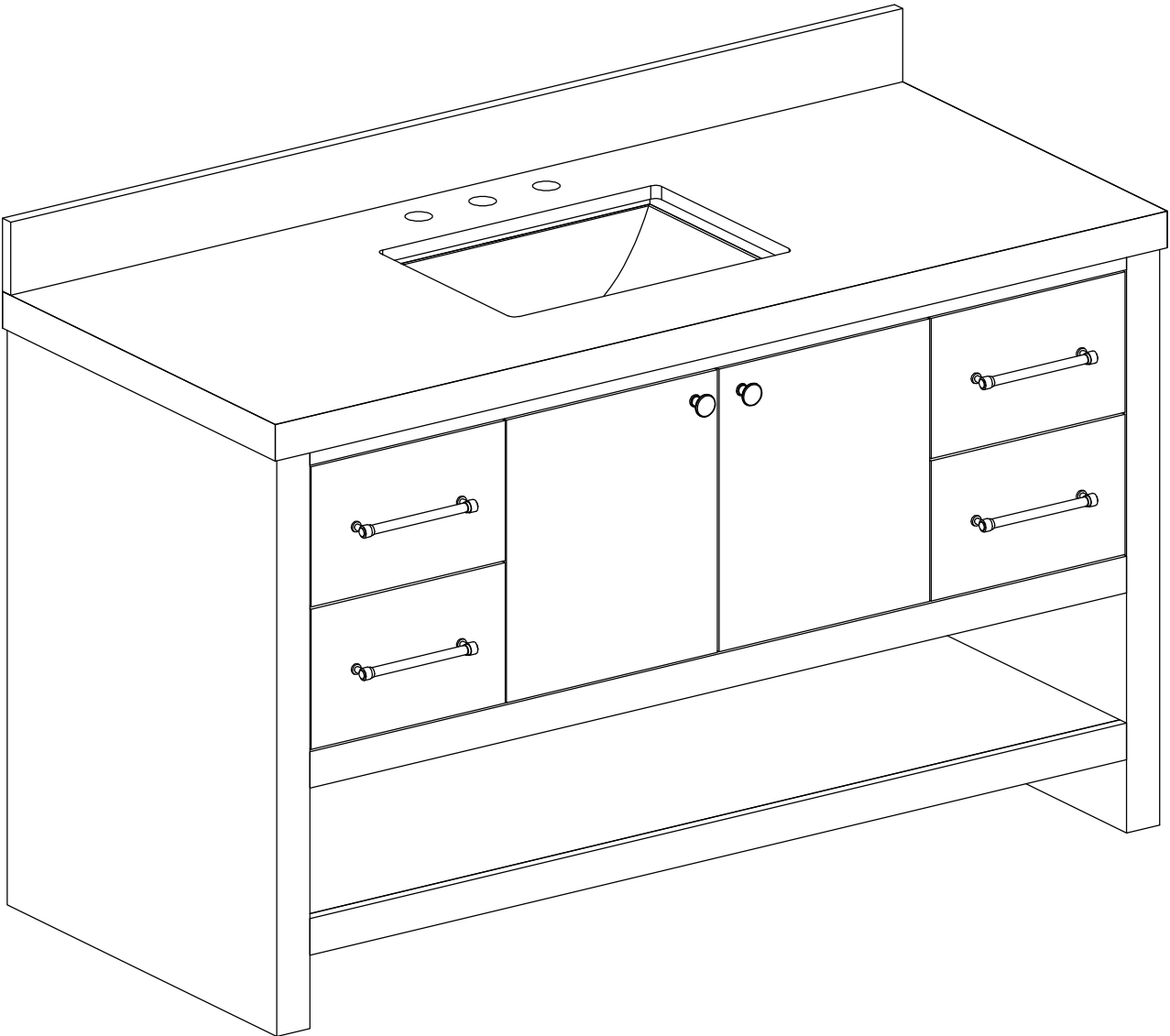
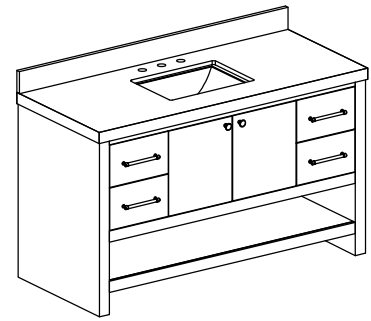
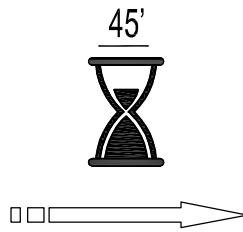
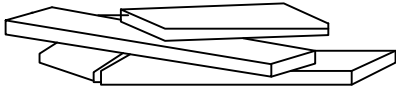


**ASSEMBLY INSTRUCTION FOR
MODEL: ANTHEM SINGLE WIDE VANITY**





PROFESSIONAL INSTALLATION REQUIRED - CONTRACTOR AND PLUMBER needed for Installation.

- Please read all instructions carefully before assembling.
 - For your safety, assembly by two or more adults is strongly recommended.
 - Keep instructions for future use.
 - Use only vendor supplied hardware to assemble. Using unauthorized hardware could jeopardize the structural integrity of the item.
 - The Vanity Base must be secured to the wall. Wall attachment hardware is not included. For safe mounting it is essential to use the proper hardware for your wall type. If walls are drywall or wood stud, concrete, brick or plaster, please consult your local hardware store for assistance in selecting the appropriate hardware.
- **Note:** Consoles usually need to be leveled and mounted to both wall and floor. Some hardware items needed for proper assembly and installation are not included: ex. shim, spacer, high quality silicone or acrylic based bath sealant, etc.
- **DO NOT USE PLUMBERS PUTTY OR ANY OIL BASED SEALANT AS THIS WILL STAIN THE MARBLE.**

Note: Some cutting of the baseboard, and drilling may be necessary to mount console base to wall.

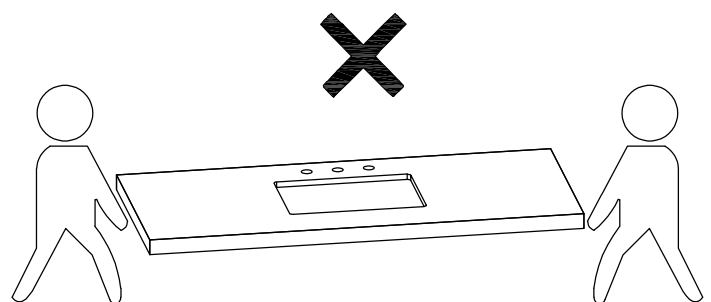
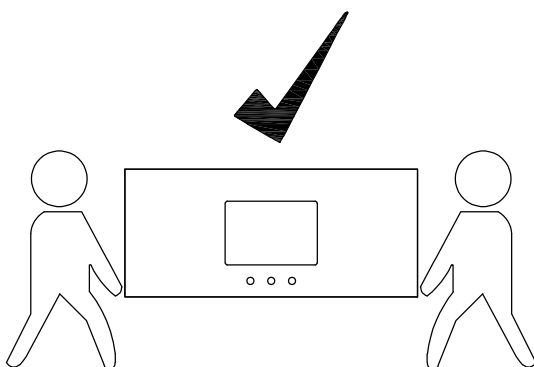
PRE-ASSEMBLY:

- Remove all parts and hardware from the box and lay out on a clear carpeted or scratch-free work surface, as this will avoid damaging parts during assembly. The shipping box provides an ideal work surface.
- Do not dispose of any packaging or contents of the shipping carton until assembly is completed to avoid accidentally discarding small parts or hardware.
- Use the parts and hardware lists below to identify and separate each of the pieces included.
- The illustrations provided allow for easier assembly when used in conjunction with the assembly instructions. The use of power tools to aid in assembly is not recommended. Power tools can damage hardware and split wood.
- Keep all parts out of the reach of children.
- A standard 8" spread faucet should be used with this Marble top console.

Note: Consoles usually need to be leveled and mounted to both wall and floor. Some hardware items needed for proper assembly and installation are not included: ex. shim, spacer, high quality silicone or acrylic based bath sealant, etc.

DO NOT USE PLUMBERS PUTTY OR ANY OIL BASED SEALANT AS THIS WILL STAIN THE MARBLE.

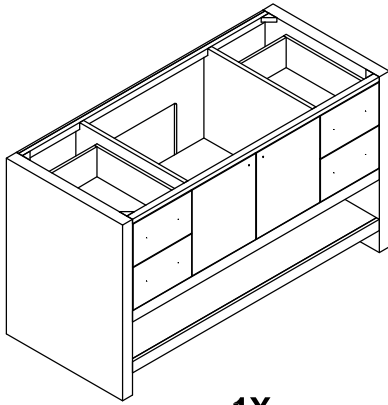
Note: Some cutting of the baseboard, and drilling may be necessary to mount console base to wall



BOX CONTENTS

Box 1

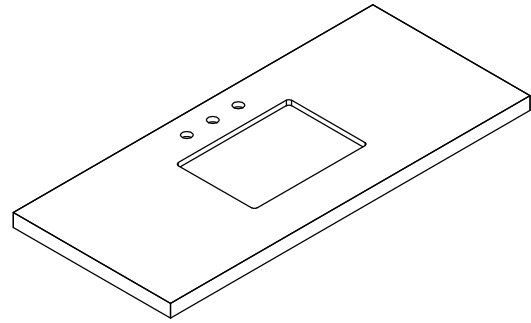
A



1X

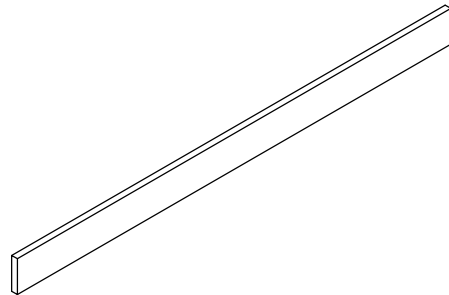
Box 2

B



1X

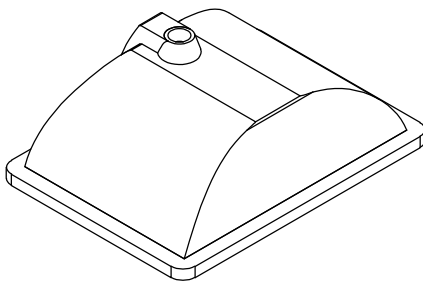
C



1X

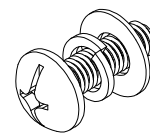
Basin Box

D



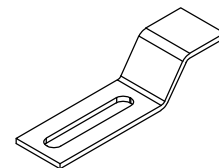
1X

E



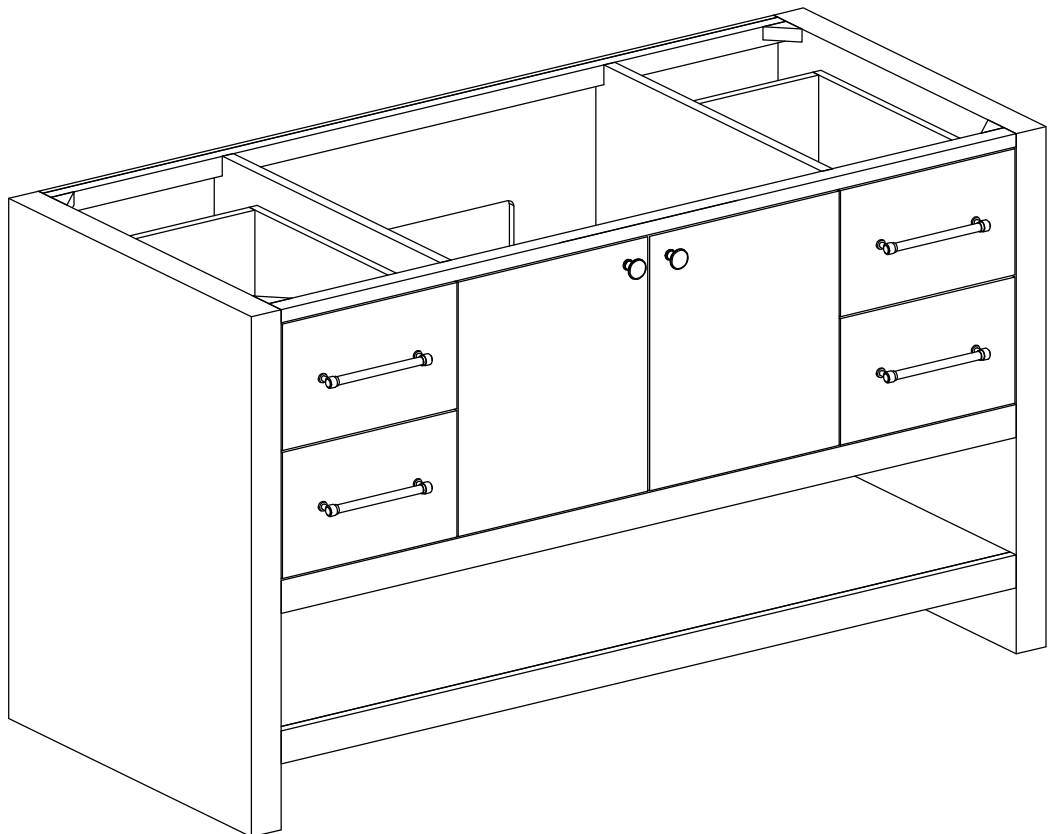
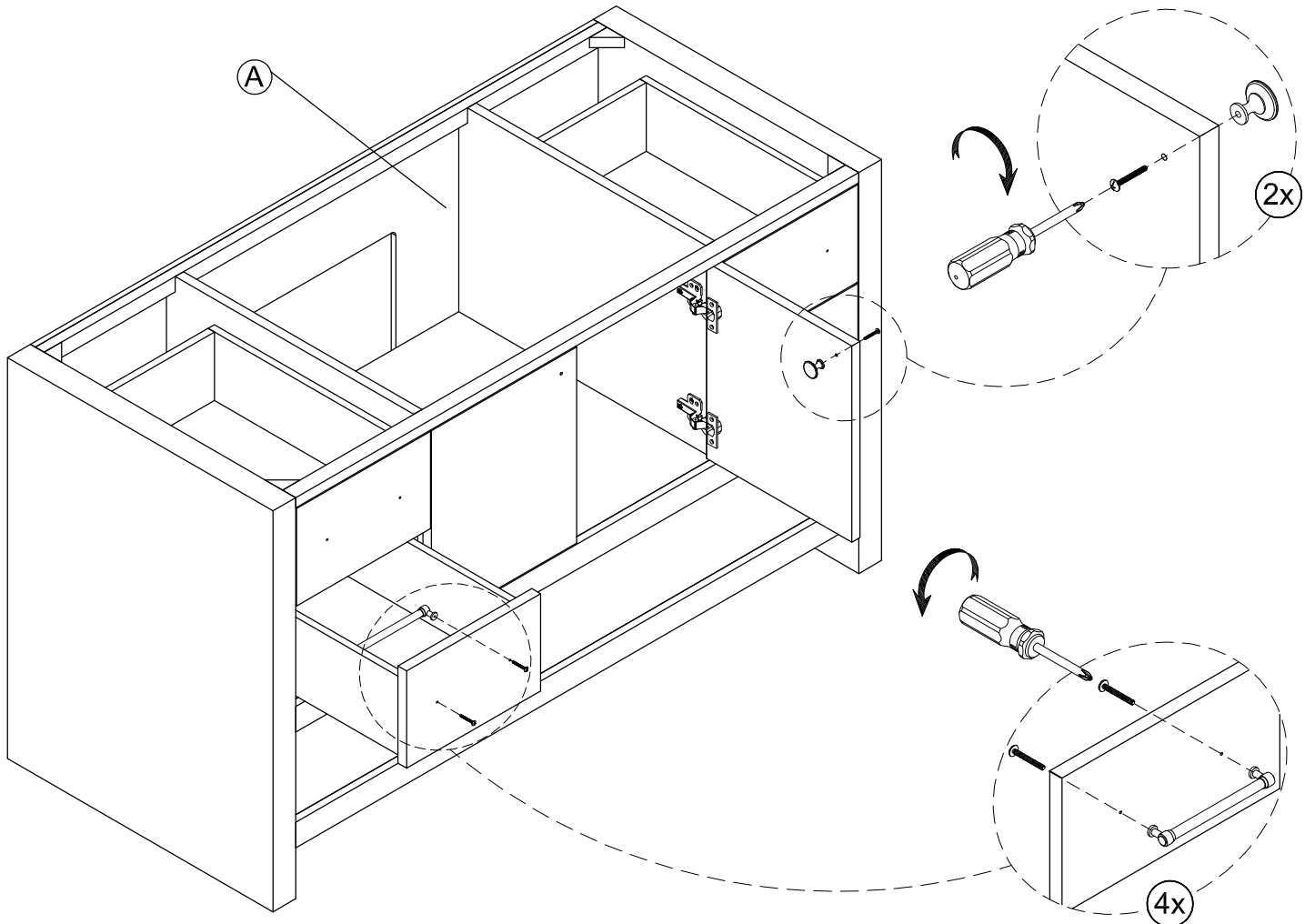
**M5 x 15mm
4X**

F



4X

1



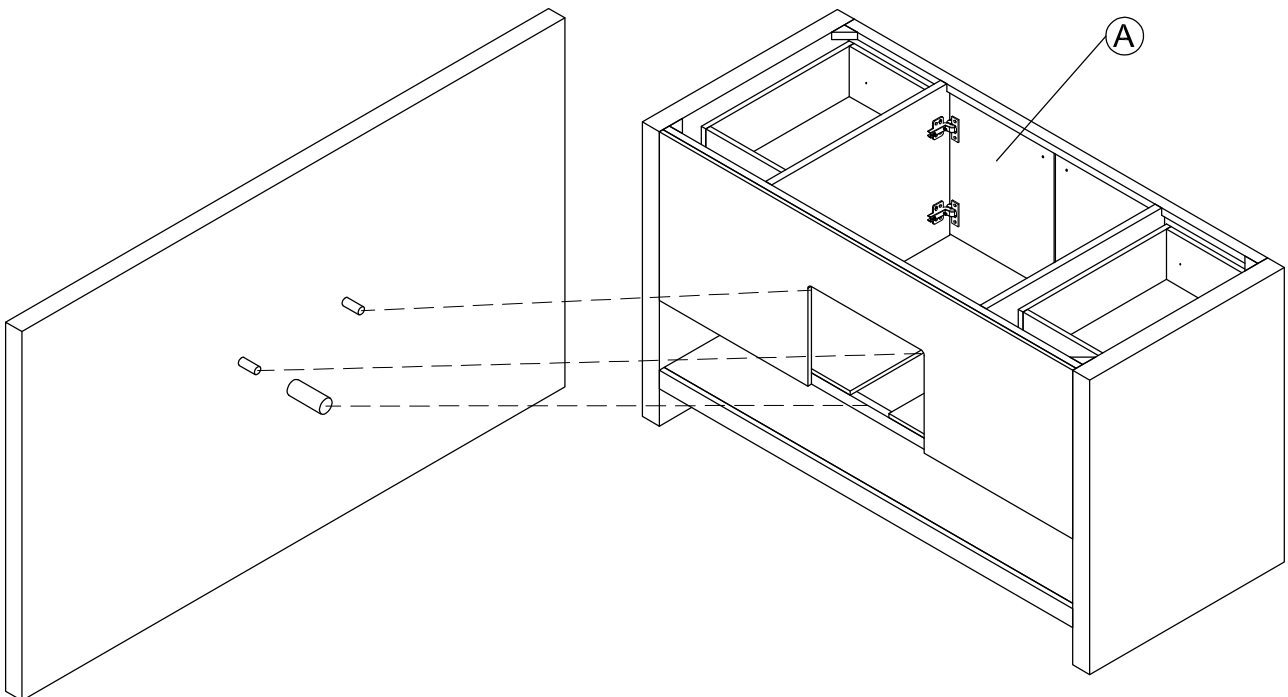
THE VANITY MUST BE SECURED TO THE WALL.

NOTE: For safe mounting it is essential to use the proper hardware for your wall type. The hardware is not included, please consult your local hardware store for assistance in selecting the appropriate hardware. Mount to wood studs whenever possible.

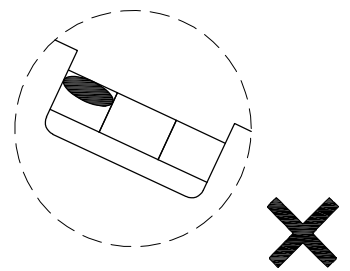
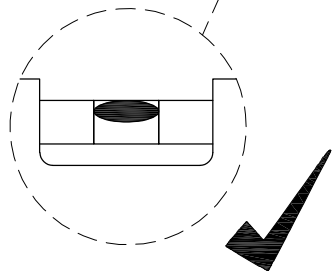
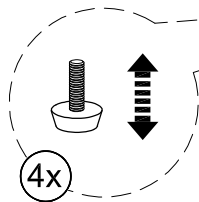
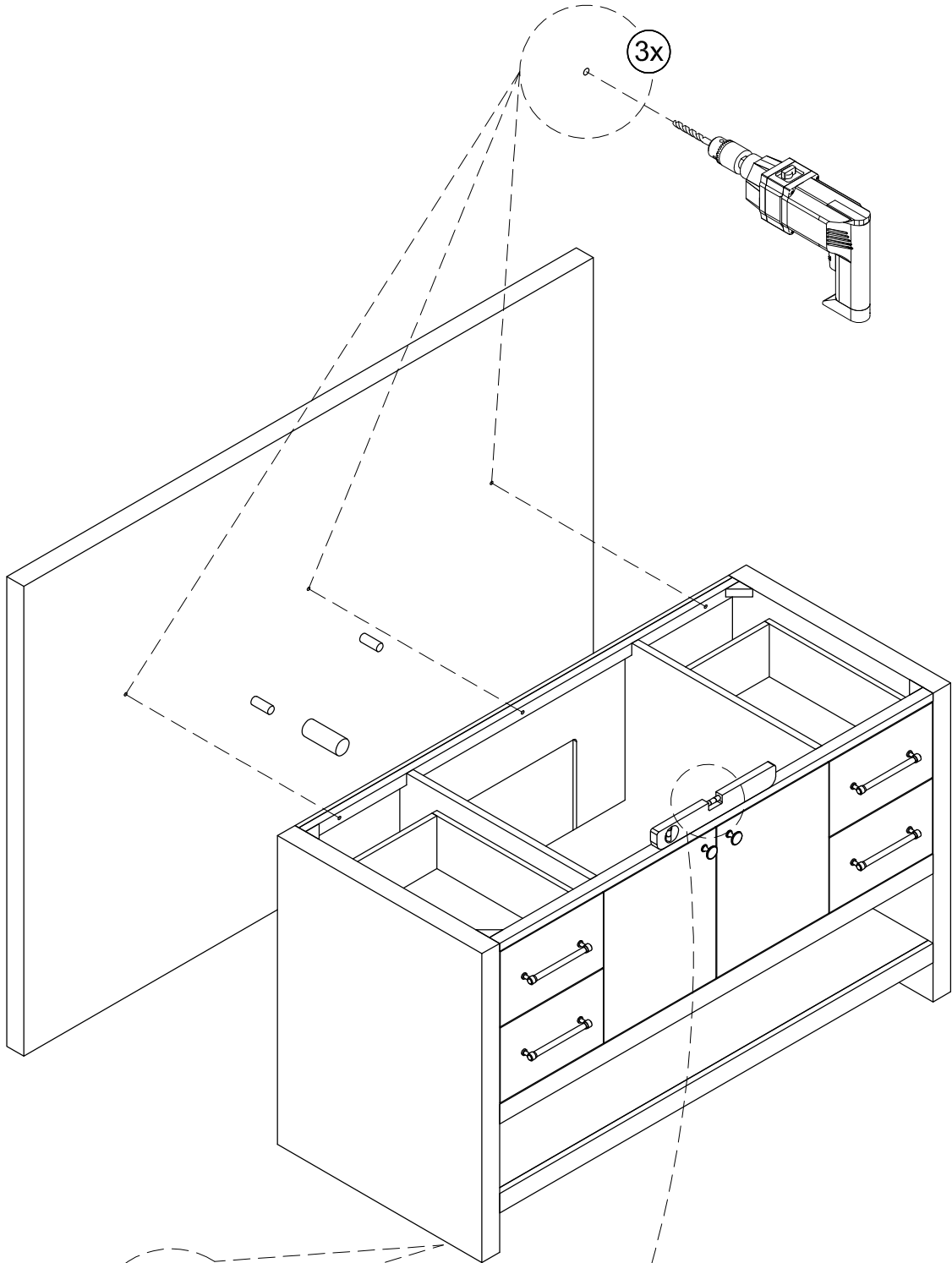
Measure the location of the plumbing locations in the wall. Mark the back panel of the case corresponding the location of the plumbing. Cut holes in the back panel for the plumbing to pass through.

Move the BASE to the desired placement against the wall. Use a sharp pencil or a screw to mark the wall through the holes on top rail.

NOTE: New holes can be drilled in the top back rail of the vanity to properly align with the wood studs.

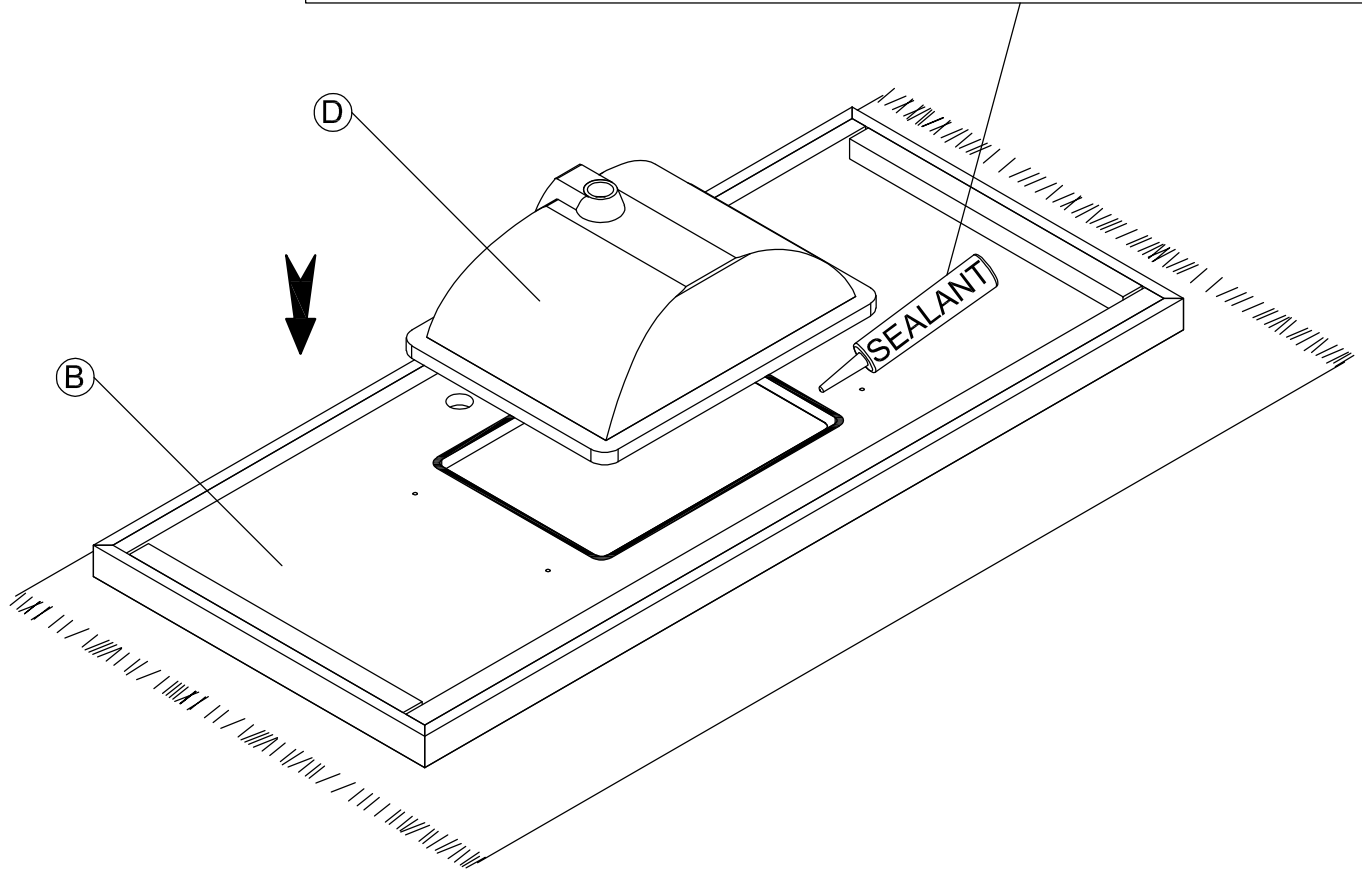


3

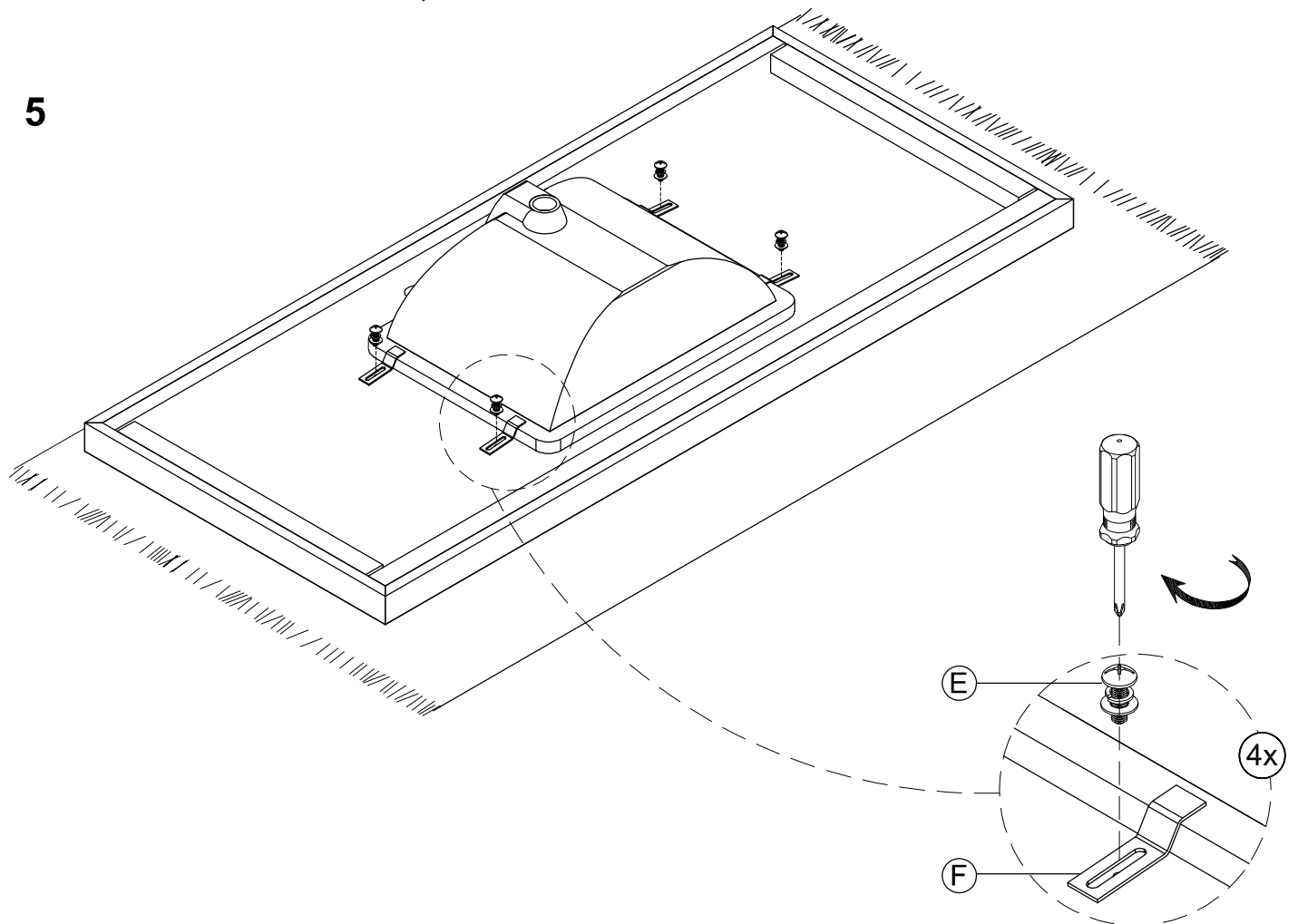


4

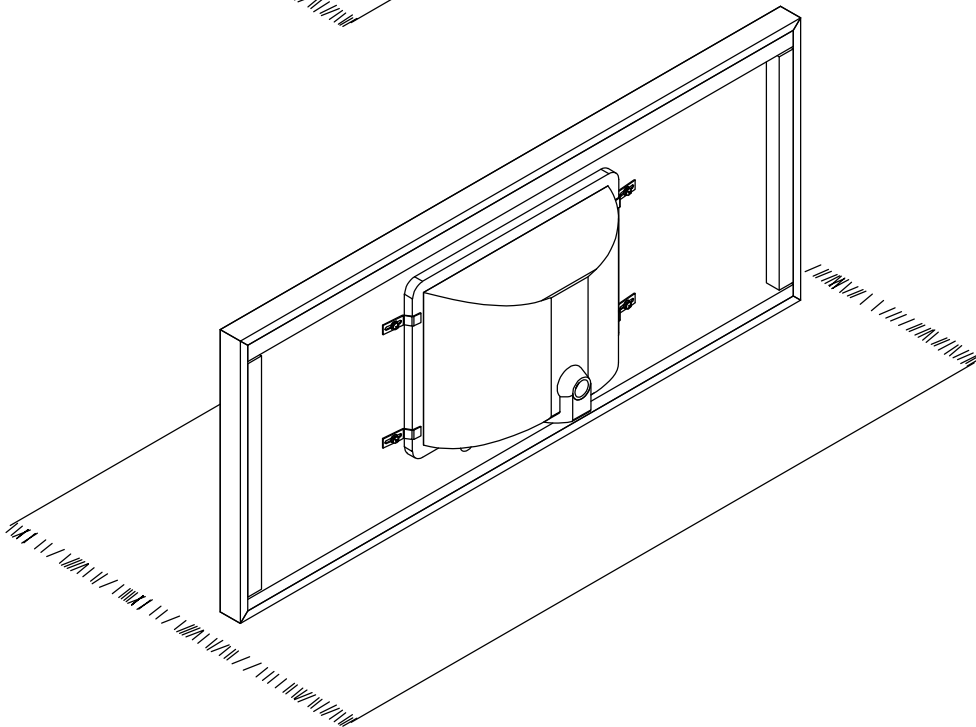
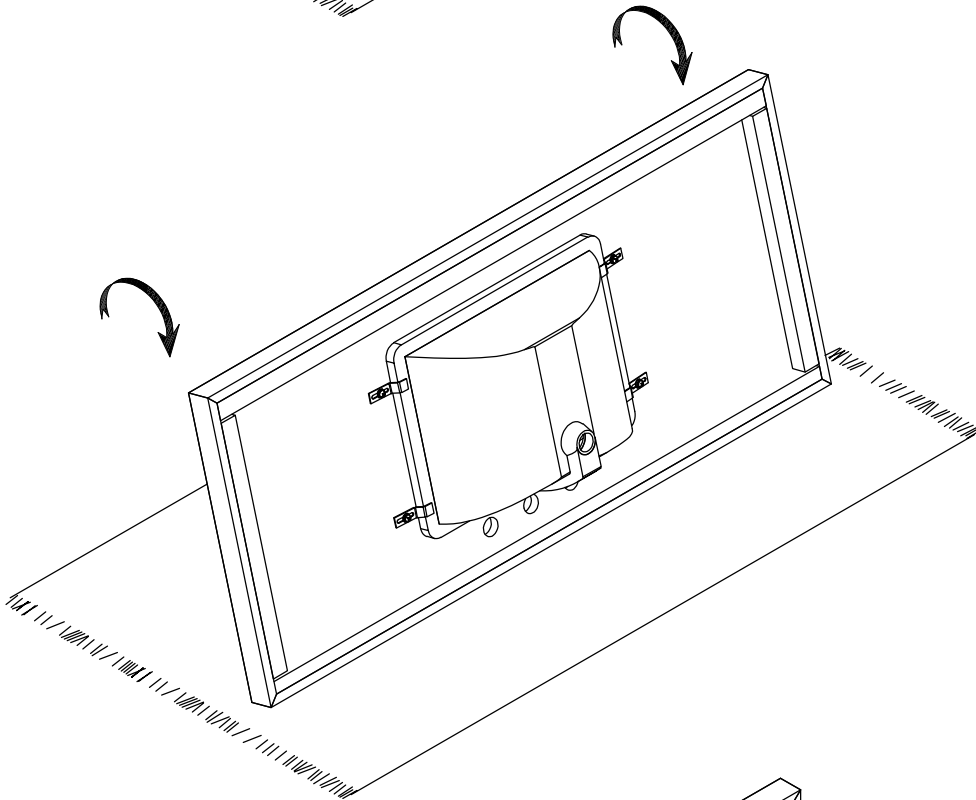
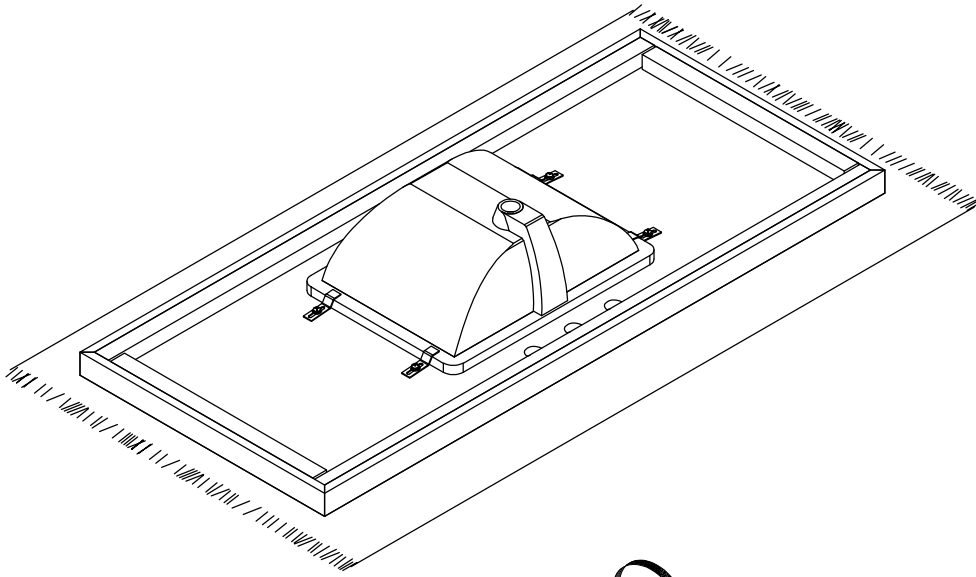
To Seal The Connection Between The Basin Edge And The Bottom Of The Stone Top.
Caulking must be Silicon or Acrylic based.
Plumbers putty must not be used as it will stain the stone top.



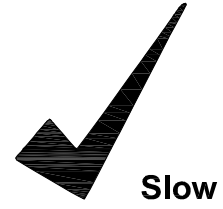
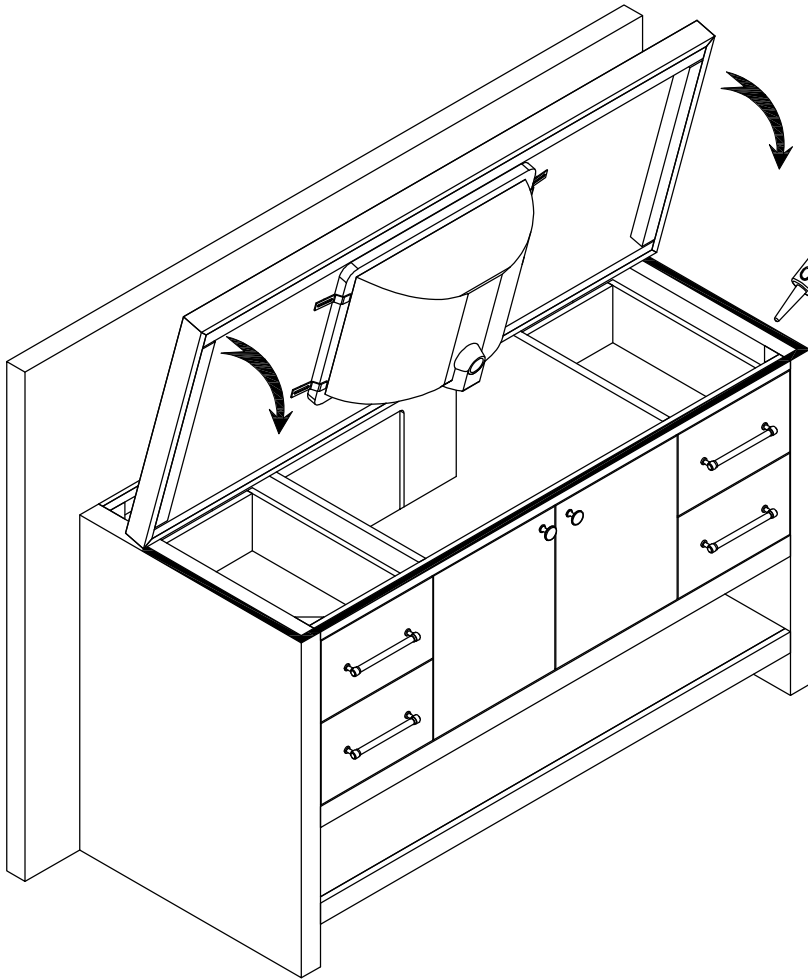
5



6

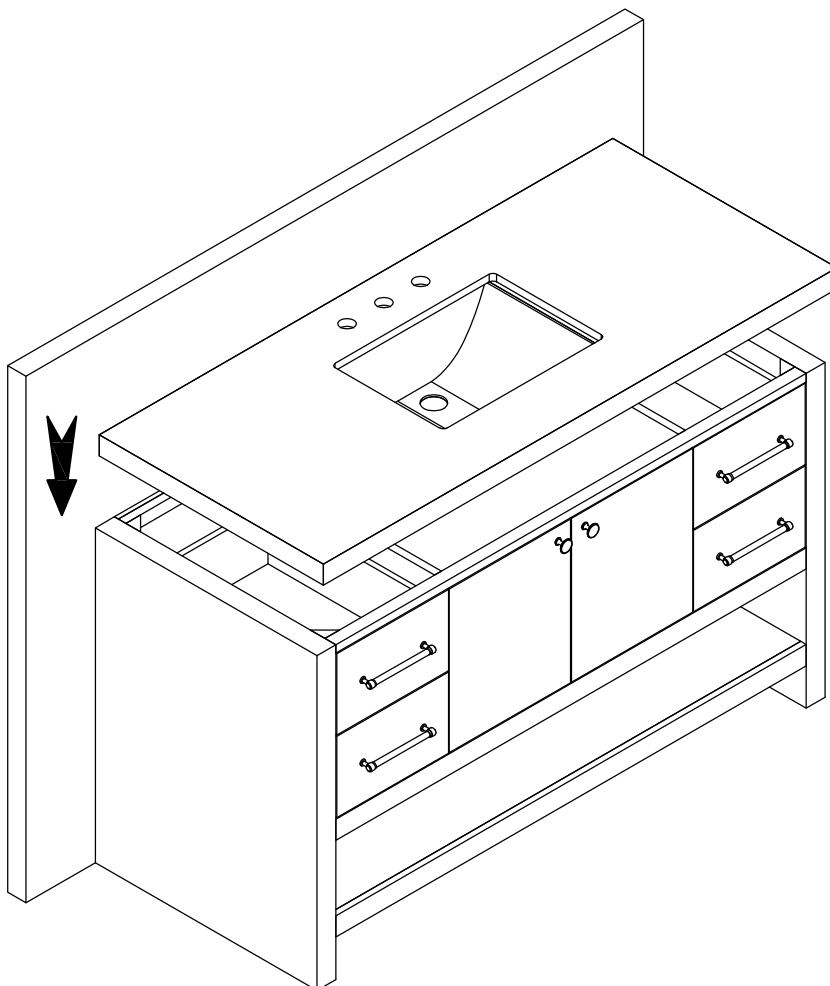


7

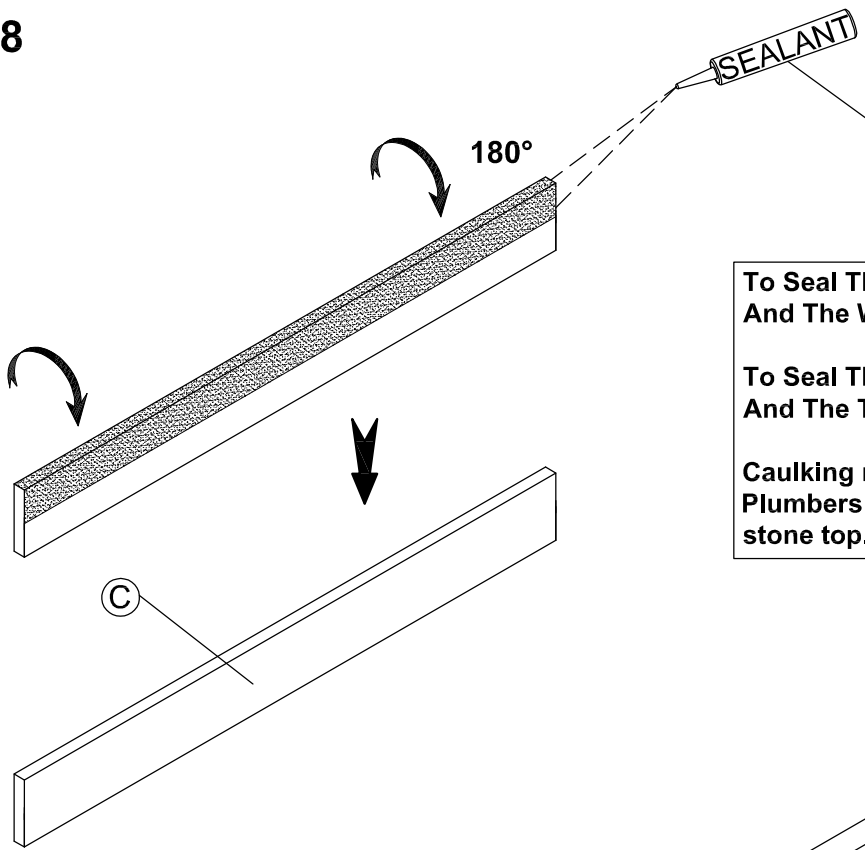


To Seal The Connection Between The Bottom Of The Stone Top And The Top Of The Wood Vanity Top.

Caulking must be Silicon or Acrylic based. Plumbers putty must not be used as it will stain the stone top.



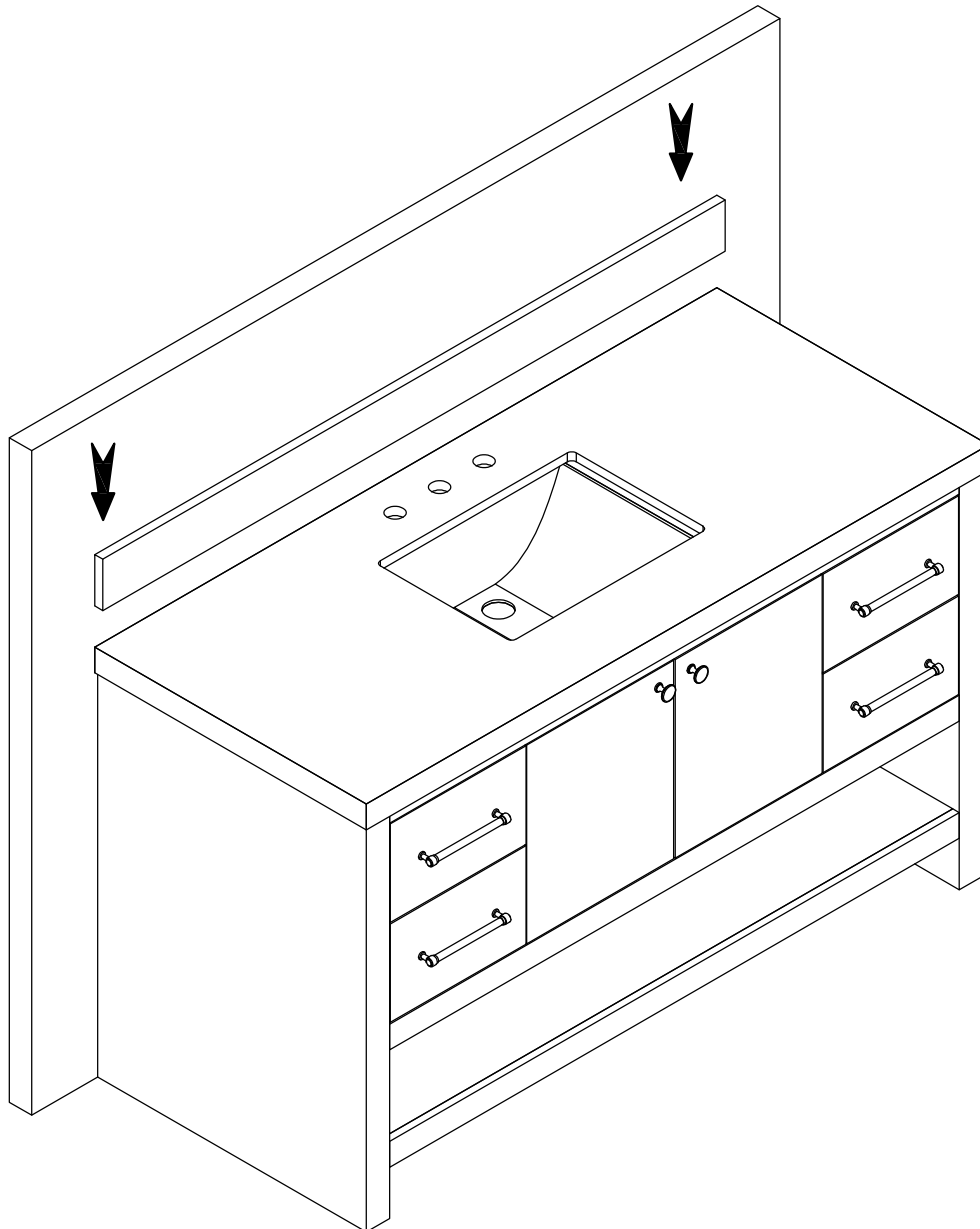
8

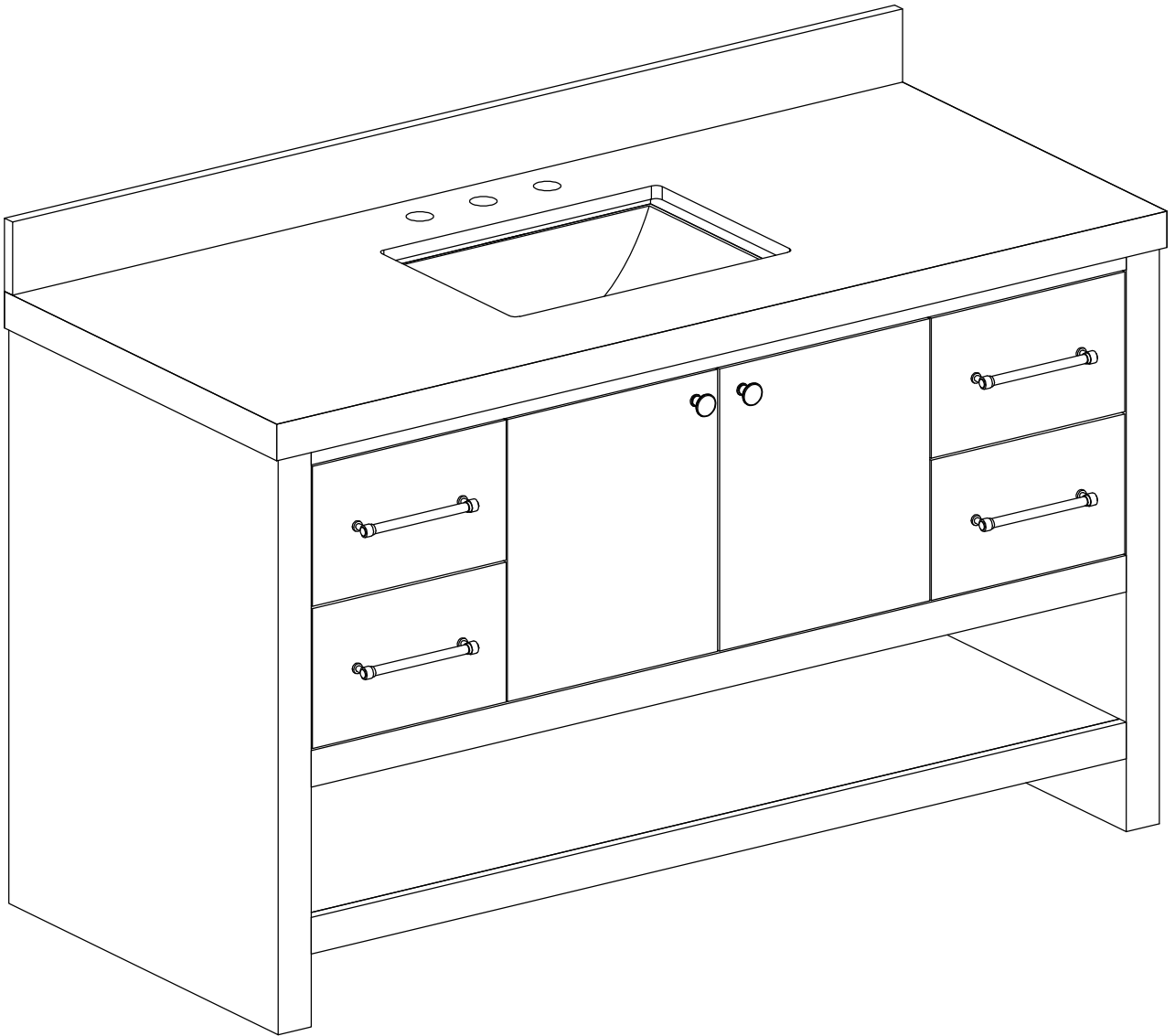


To Seal The Connection Between The Backsplash And The Wall.

To Seal The Connection Between The Backsplash And The Top Of The Stone.

Caulking must be Silicon or Acrylic based. Plumbers putty must not be used as it will stain the stone top.





10

