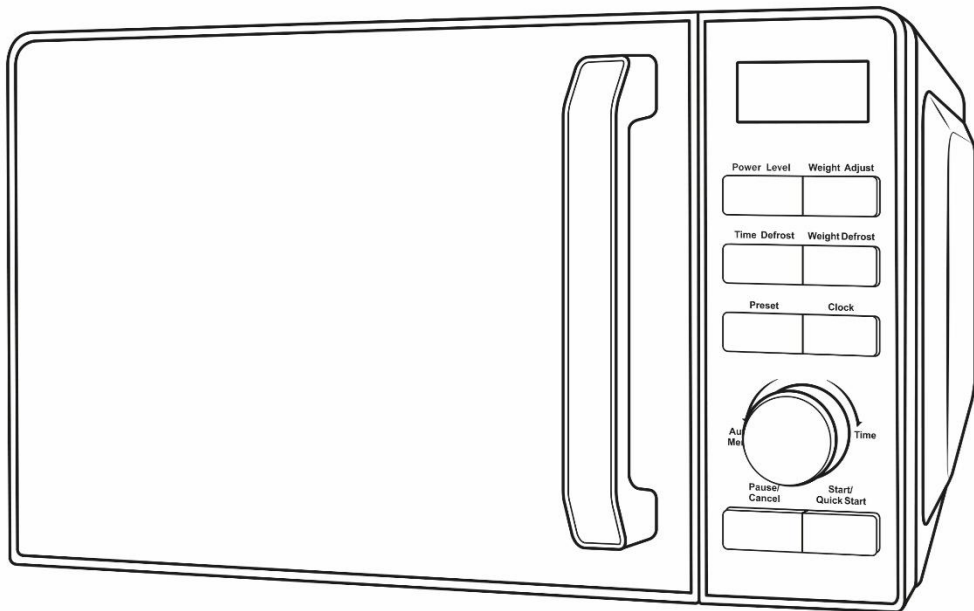


abode

Compact Size Flatbed Digital Microwave User Guide



**Model Number:
AMFD2001 (B)**

**PLEASE RETAIN
FOR FUTURE REFERENCE**

CONTENTS

	Page(s)
SAFETY INSTRUCTIONS	3-8
ABOUT YOUR MICROWAVE	9-10
PRODUCT INFORMATION	11
PRODUCT OVERVIEW	12
MICROWAVE OVEN INSTALLATION	13-14
CONTROL PANEL	15
HOW TO USE THE MICROWAVE	16-22
COOKING TIPS	23
CLEANING THE MICROWAVE	24
PROBLEM SOLVING	25-27
GUARANTEE AND CUSTOMER SERVICES	28
CONNECTION TO THE MAINS SUPPLY	29-30
NOTES	31
DISPOSAL	32

SAFETY INSTRUCTIONS

IMPORTANT SAFETY INSTRUCTIONS **READ CAREFULLY AND KEEP FOR FUTURE REFERENCE**

WARNING:

- This appliance is intended to be used in household and general domestic applications. It is not intended to be used in industrial or commercial applications.
- This appliance can be used by children aged from 8 years and above and persons with reduced physical, sensory or mental capabilities or lack of experience and knowledge if they have been given supervision or instruction concerning use of the appliance in a safe way and understand the hazards involved. Children shall not play with the appliance. Cleaning and user maintenance shall not be made by children without supervision.
- Keep the appliance and its cord out of reach of children less than 8 years.
- **WARNING:** if the door or door seals are damaged, the oven must not be operated until it has been repaired by a qualified technician.
- **WARNING:** it is hazardous for anyone other than a qualified technician to carry out any service or repair operation that involves the removal of a cover which gives protection against exposure to microwave energy.
- **WARNING:** liquids and other foods must not be heated in sealed containers since they are liable to explode.

SAFETY INSTRUCTIONS

READ CAREFULLY AND KEEP FOR FUTURE REFERENCE

WARNING:

- A minimum clearance of 7.5cm is required between the oven and any adjacent walls. Leave a minimum clearance of 30cm above the oven.
- Only use utensils that are suitable for use in microwave ovens.
- Metallic containers for food and beverages are not safe for use during microwave cooking.
- Do not clean this appliance with a steam cleaner.
- When heating food in plastic or paper containers, keep an eye on the oven due to the possibility of ignition.
- This microwave is intended for heating food and beverages only. The drying of food or clothing and heating of warming pads, wheat bags, slippers, sponges, damp cloth and similar is extremely dangerous and may lead to risk of injury, ignition or fire.
- If materials inside the oven smoke or catch fire, keep the oven door closed to stifle the flames. Ensure that you turn the oven off at the wall switch or shut the power off at the fuse or circuit-breaker panel. If smoke is emitted, switch off or unplug the appliance and keep the door closed in order to stifle any flames.
- Microwave heating of beverages can result in delayed eruptive boiling, therefore care must be taken when handling the container.

SAFETY INSTRUCTIONS

READ CAREFULLY AND KEEP FOR FUTURE REFERENCE

WARNING:

- The contents of feeding bottles and baby food jars shall be stirred or shaken and the temperature checked before consumption, to avoid burns. Do not heat baby bottles with the teat left on and remove it if putting the bottle back into the oven.
- Eggs in their shell and whole hard-boiled eggs should not be heated in microwave ovens since they may explode, even after microwave heating has ended.
- The oven should be cleaned regularly and any food deposits removed.
- Failure to maintain the oven in a clean condition could lead to deterioration of the surface that could adversely affect the life of the appliance and possibly result in a hazardous situation.
- The microwave oven should be used freestanding only and must not be built-in or used in a cabinet
- If the supply cord is damaged, it must be replaced by the manufacturer, its service agent or similarly qualified persons in order to avoid a hazard.
- To avoid fire, electric shock, or injury, never immerse the microwave, cord, or plug in water or liquid.
- Do not use attachments not recommended by the manufacturer. Only use thermometers approved for use in microwaves.

SAFETY INSTRUCTIONS

READ CAREFULLY AND KEEP FOR FUTURE REFERENCE

WARNING:

- The appliance and its accessible parts may become hot during use. Care should be taken to avoid touching heating elements.
- Do not leave the microwave oven unattended while you are using it.
- Do not use the microwave when it is empty. This could damage the oven.
- Do not use metal pans, dishes with metal handles or anything with a metal trim inside the microwave. Do not use paper covered wire twist-ties on plastic bags.
- Never put objects into the openings on the outer case.
- Food containing a mixture of fat and water (for example, stock) should stand for 30 to 60 seconds in the oven after it has been turned off. This is to allow the mixture to settle and to prevent it from bubbling when a spoon is placed in it or a stock cube is added.
- When heating or cooking food or liquid, remember that there are certain foods (such as, jam, Christmas pudding, and mincemeat) which heat up very quickly.
- Before cooking, pierce foods with a skin or membrane, such as egg yolks, potatoes, chicken livers, sausages and ready meals, several times with a fork.
- Do not try to deep-fry foods in this microwave oven.

SAFETY INSTRUCTIONS

READ CAREFULLY AND KEEP FOR FUTURE REFERENCE

WARNING:

- Do not overcook food.
- Please remember that as food or liquids heat up, they will release steam or may begin spitting. Never cover any container fully, always leave a gap for steam to escape.
- Do not use plastic containers when heating or cooking foods that contain a lot of fat or sugar.
- Do not use melamine dishes as they contain a material which will absorb microwave energy. This may cause the dishes to crack or burn, and will slow down the cooking speed.
- Do not use the microwave oven for heating utensils, plates or dishes.
- Do not cook using a container with a restricted opening such as bottles, as they may explode.
- Before you clean your microwave oven, turn it off and unplug it.
- Keep the inside of the oven clean. When food or liquids stick to the oven walls, wipe with a damp cloth. We recommend that you do not use harsh detergent or abrasives.

SAFETY INSTRUCTIONS

READ CAREFULLY AND KEEP FOR FUTURE REFERENCE

WARNING:

- You should clean the outside of the oven with a damp cloth. Do not allow water to seep into the ventilation openings.
- Do not use harsh abrasive cleaners or sharp metal scrapers to clean the oven door glass as they can scratch the surface, which may result in shattering of the glass.
- If steam builds up inside or around the outside of the oven door, wipe with a soft cloth. This may happen when the microwave oven is used in humid conditions.
- The appliance is not intended to be operated by means of an external timer or separate remote-control system.
- This appliance is Group 2 Class B equipment.
- Group 2 equipment: group 2 contains all ISM RF equipment in which radio-frequency energy in the frequency range 9 kHz to 400 GHz is intentionally generated and used or only used locally, in the form of electromagnetic radiation, inductive and/or capacitive coupling, for the treatment of material, for inspection/analysis purposes, or for transfer of electromagnetic energy.
- Class B equipment is equipment suitable for use in locations in residential environments and in establishments directly connected to a low voltage power supply network which supplies buildings used for domestic purposes.

ABOUT YOUR MICROWAVE

Thank you for purchasing your Abode microwave oven.

The Abode AMFD2001B microwave has a sleek and stylish contemporary design, boasting an attractive mirror door finish. As well as an appealing look, this appliance also includes impressive functionality, with 800 watts of microwave power providing quick and convenient cooking in your home.

The AMFD2001B from Abode uses Flatbed technology, eliminating the need for a turntable and providing more usable space. Larger items such as square plates and casserole dishes can be reheated or defrosted with ease. The oven also has room for a round dinner plate up to 10.5"/26.5cm. The flatbed surface is simpler to clean, as food debris and moisture can be quickly wiped away.

The diamond cavity structure provides improved microwave distribution by enhancing the reflection of the microwaves inside the cavity. This helps to cook your food more effectively and efficiently.

With 6 auto cook menus, you can prepare your favourite foods at the touch of a button. The automatic defrost functions make it even easier, allowing you to defrost by weight or by time. In addition, 5 power levels let you adjust cooking to suit your needs.

Additional features include a handy digital clock and, for extra peace of mind, this microwave comes with a child safety lock option.

ABOUT YOUR MICROWAVE

How do microwaves work?

Microwaves are high-frequency electromagnetic waves similar to radio waves. While radio waves may vary in length from one metre to many kilometres, microwaves are very short (less than 12.5 centimetres).

Microwaves do not make any heat themselves but cause water molecules in food to vibrate.

This vibration produces heat that cooks the food. This is why your food will come out of the microwave piping hot, when your utensils inside the oven stay much cooler. The microwaves do not stay in the air or in the food when you open the microwave oven door.

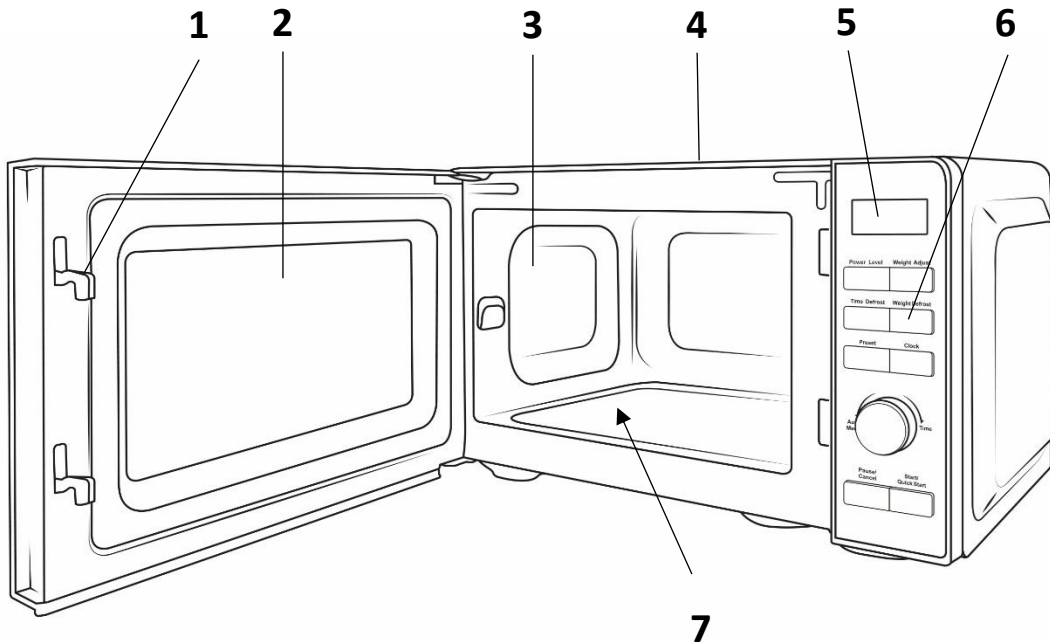
The microwave oven will work using an ordinary household electrical socket. Inside the microwave oven is the magnetron, which turns the electrical energy into microwaves.

Microwaves cannot travel through metal, so the inside of the oven is lined with metal. The door is lined with a fine metal mesh that stops microwaves getting through. This means that when the microwave oven door is shut, there is no possibility that microwaves can be released.

PRODUCT INFORMATION

Model number	AMFD2001B
Rated Voltage	230-240V/50Hz
Rated Output Power (Microwave)	800W
Rated Microwave Power	1200W
Oven Capacity	20L
External Dimensions (H x W x D)	27.10 x 45.70 x 37.80cm
Net Weight; Approx	11.87kg
Number of Power Levels	5
<p>Energy Consumption</p> <p>Product information for power consumption and maximum time to reach applicable low power mode.</p>	
Standby mode	0.8 W
The maximum time needed for the microwave oven to automatically reach the applicable low power mode or condition	20 minutes

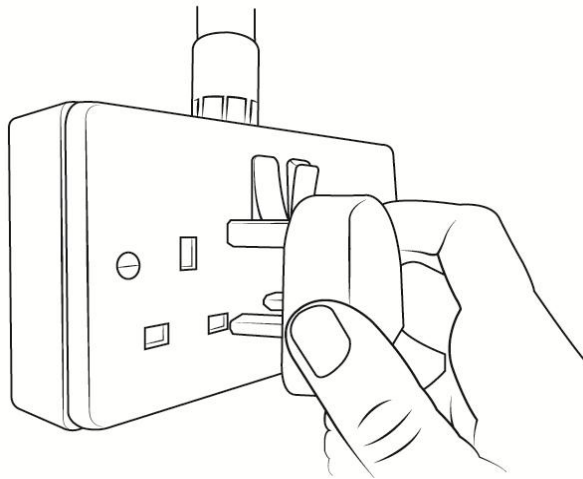
PRODUCT OVERVIEW



1. Safety interlock latches
2. Door assembly and window
3. Oven cavity
4. Microwave top
5. Screen display
6. Control panel (buttons and dial)
7. Flatbed

MICROWAVE OVEN INSTALLATION

- Place the oven as far away from radios and televisions as possible. Using the oven may cause interference with the reception.
- Plug the oven into a suitable 13 amp mains socket, make sure the voltage is the same as on the rating label (do not use extension cables or mains socket adaptors.)



- The microwave oven should be used freestanding only and must not be built-in or used in a cabinet.
- Select a level surface that provides enough space for the outlet vents.

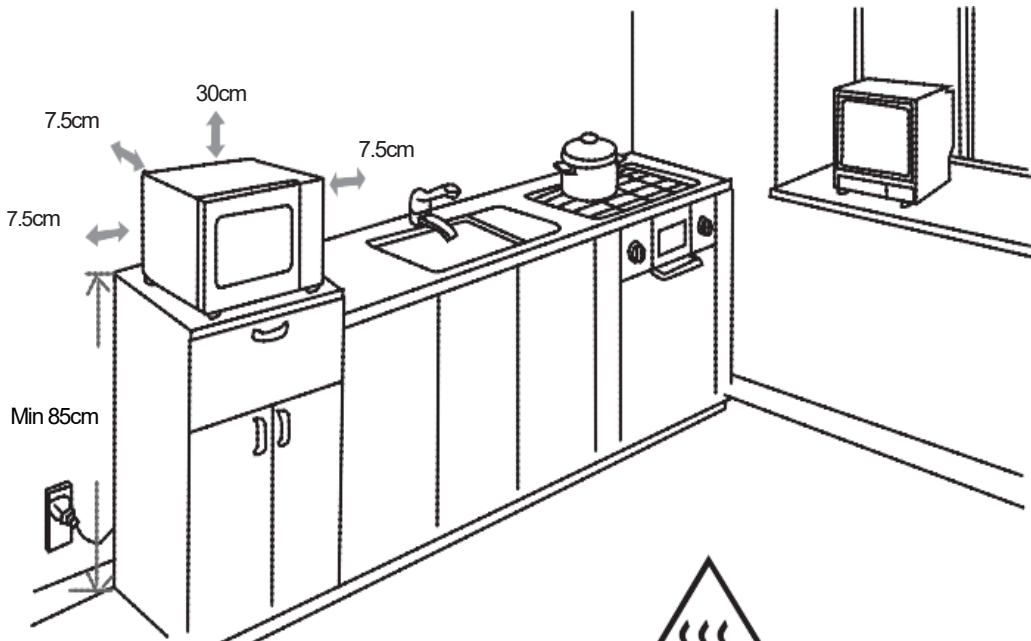
MICROWAVE OVEN INSTALLATION

The minimum installation height is 85cm.

A minimum clearance of 7.5cm is required between the oven and any adjacent walls. Leave a minimum clearance of 30cm above the oven.

WARNING:

DO NOT install the oven over a cooker or other heat or steam producing appliance as this will damage the microwave oven.

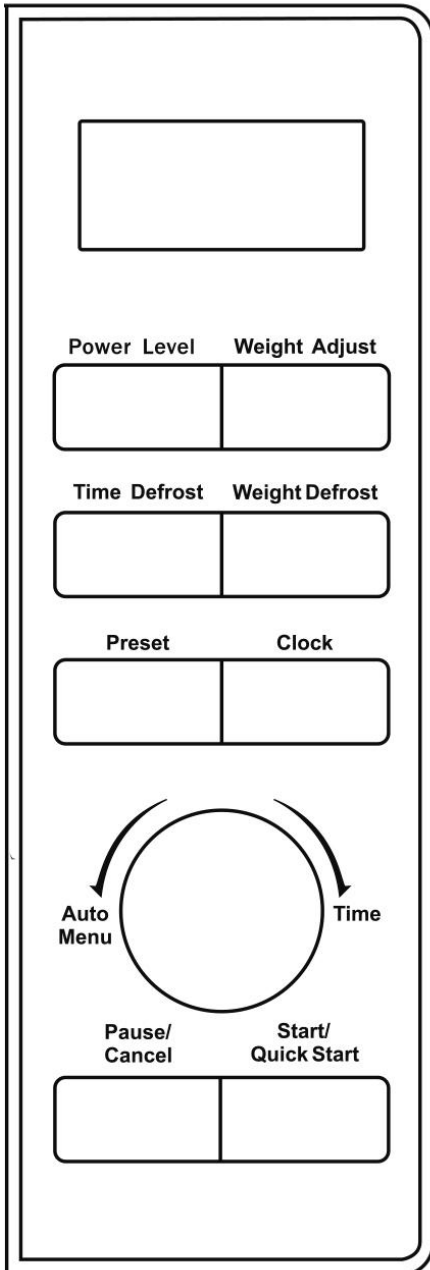


DO NOT obstruct the ventilation from the microwave



This symbol means:
Hot Surfaces

CONTROL PANEL



Screen Display

Cooking time, power levels, action indicators, auto menus and clock time are displayed.

Power Level

Press to select from 5 power levels.

Weight Adjust

Press to set food weight or servings.

Time Defrost

Press to defrost food based on time.

Weight Defrost

Press to defrost food based on weight.

Preset

Press to set the cooking time delay function.

Auto Menu/Time

Turn this dial to select an auto-cook menu or to set the time.

Pause/Cancel

Press once to pause cooking or twice to cancel cooking entirely.

Start/Quick Start

Press this button to start the cooking process or confirm a selection when programming.

HOW TO USE THE MICROWAVE

Turning on the power

- Insert the plug into a suitable 13amp mains socket.
- Make sure the voltage is the same as on the rating label located on the back of the microwave (do not use extension cables or mains socket adaptors.)
- When you power on the microwave it will beep, and the display will show '1:01'.

Setting the clock (12 or 24 hours)

This microwave lets you set the clock to either 12-hour or 24-hour format. During cooking, you can also check the time by pressing the '**Clock**' button.

1. Press the '**Clock**' button once for the 12-hour clock function and twice for the 24-hour function.
2. Turn the '**Auto Menu/Time**' dial clockwise to set the hour and then press the '**Clock**' button once to confirm.
3. Turn the '**Auto Menu/Time**' dial clockwise to set the minutes and then press the '**Clock**' button once to confirm.



Note: For best results, set the clock before using the microwave to ensure all functions work correctly.

Pausing cooking

- If you want to pause the cooking to turn over or stir contents, simply open the door, then close again and press the '**Start/Quick Start**' button to continue the cycle.
- If you wish to stop cooking with time left on the display, take out the contents, close the door and press the '**Pause/Cancel**' button once to clear.
- When cooking has finished, the screen display will go back to the clock, indicating that the microwave has stopped.

HOW TO USE THE MICROWAVE

Preset function

This function lets you programme the oven to begin cooking at a later time.

1. Select a cooking programme (except Time Defrost or Weight Defrost). Do not press the '**Start/Quick Start**' button.
2. Press the '**Preset**' button once.
3. Turn the '**Auto Menu/Time**' dial to set the hour.
4. Press the '**Preset**' button again.
5. Turn the '**Auto Menu/Time**' dial to set the minutes.
6. Press the '**Preset**' button to confirm.
7. To cancel, press '**Pause/Cancel**'.

When the Preset time is reached, a beep will sound and the programme will begin. While in Preset mode, you can view the preset time by pressing the '**Preset**' button.

Multistage cooking function

This function lets you programme the oven to two automatic cooking stages. For example, you can set the oven to start with microwave cooking and then continue with microwave cooking at a lower power level.

1. Open the door, place the food inside, and close the door.
2. Set the first microwave cooking programme. Do not press '**Start/Quick Start**'.
3. Set the second microwave cooking programme.
4. Press '**Start/Quick Start**' to commence multistage cooking.



Note: Multistage cooking does not support time defrost, weight defrost, auto cook menus and the preset function.

HOW TO USE THE MICROWAVE

Microwave cooking

You can set the microwave to cook at 5 different power levels, ranging from 100% (highest) to 20% (lowest). For example, you may want a lower power level for defrosting or simmering, or full power for reheating.

Number of Presses	Cooking Power Level
1	100%
2	80%
3	60%
4	40%
5	20%

Most recipes are cooked on full power. This information is typically indicated on the packaging of microwavable food.

1. In standby mode, press the '**Power Level**' button repeatedly to select the desired power level. The selected level will display as a percentage.
2. Turn the '**Auto Menu/Time**' dial to set the cooking time (up to 95 minutes).
3. Press the '**Start/Quick Start**' button to begin cooking.

During cooking, you can check the selected power level by pressing the '**Power Level**' button.

To cook at full power, simply turn the '**Auto Menu/Time**' dial clockwise to set the cooking time, then press the '**Start/Quick Start**' button without selecting a power level.

HOW TO USE THE MICROWAVE

Quick Start function

For quick and easy microwave cooking, you can press the '**Start/Quick Start**' button to automatically add 30 seconds of cooking time.

This can be pressed multiple times, up to a maximum of 10 minutes.



Note: The Quick Start function doesn't work for weight defrost and auto menu cooking.

Child lock function

The child lock function is ideal to stop children from activating the microwave if unsupervised. No buttons will function in this mode.

Setting the child lock

1. Leave the oven in standby mode.
2. If no buttons are pressed for one minute, the oven will automatically enter child lock mode.
3. The lock indicator light will turn on, and all buttons will be disabled.

Cancelling the child lock

1. While in child lock mode, open or close the oven door once.
2. The programme will cancel, and the lock indicator light will turn off.



Note: Do not operate the oven empty as this can cause irreparable damage.

HOW TO USE THE MICROWAVE

Defrost function

There are 2 defrosting methods to choose from: by weight and by time. During each mode, the oven will pause and remind you to turn the food. After turning your food, press '**Start/Quick Start**' to continue the programme.

Follow the instructions below to use the desired method:

Time Defrost

1. In standby mode, press the '**Time Defrost**' button once.
2. Turn the '**Auto Menu/Time**' dial to set the defrosting time (up to 95 minutes).
3. Press the '**Start/Quick Start**' button to begin.

Weight Defrost

The defrosting time and power level are set automatically once you enter the food weight. The weight range is 100g to 1800g.

1. In standby mode, press the '**Weight Defrost**' button once.
2. Press the '**Weight Adjust**' button to select the food weight.
3. Press the '**Start/Quick Start**' button to begin.

Here are recommended best practices to follow when defrosting:

- The microwave generally penetrates 4cm into most foods. For even defrosting results, ensure you turn the food over during the cycle. During both of the defrost functions, the oven will pause and beep to remind you to turn the food. After turning or stirring it, press '**Start/Quick Start**' to resume.
- Defrosting generally takes longer than the cooking time of food.
- Ensure food is thoroughly defrosted before starting the cooking process.
- Defrosted food should be consumed as soon as possible; do not put it back in the fridge or freeze again.

HOW TO USE THE MICROWAVE

Auto Menu function

As a digital microwave, the appliance features a default cooking menu, automatically calculating the cooking time based on the type of food and weight.

1. Turn the **'Auto Menu/Time'** dial anticlockwise once to activate this mode and the display will show **'A-01'**.
2. Press the **'Weight Adjust'** button to select the food weight or number of servings.
3. Press the **'Start/Quick Start'** button to commence cooking.

You will need to use your discretion regarding food type, temperature and weight as times may vary. Below is a guideline for each auto cook setting. For Milk/Coffee and Potato, the display will not show 'g'.

Auto Menu

Code	Menu	Quantity
A-01	Milk/Coffee 200ml/cup	1-3 cups
A-02	Potato 230g/serving	1-2 servings
A-03	Auto Reheat	200-800g
A-04	Fish	200-600g
A-05	Popcorn	99g
A-06	Pizza	150g 300g 450g



Note: Check food during cooking, since times can vary. Once cooking ends, allow the food to rest in the microwave for 1–2 minutes.

HOW TO USE THE MICROWAVE

General information

- The **'Start/Quick Start'** button must be pressed again to continue cooking if the door is opened during a cooking cycle.
- Once the cooking programme has been set, if the **'Start/Quick Start'** button is not pressed within 1 minute the current time will display and the setting will be cancelled.
- When pressed correctly, buttons beep once. Two beeps indicate an error so you can correct it.
- The buzzer will sound 5 times to remind you when cooking is finished.

Utensil information

- Do not use metal pans or dishes with metal handles.
- Do not use anything with a metal trim.
- Do not use paper-covered wire twist-ties on plastic bags.
- Do not use melamine dishes as they contain a material which will absorb microwave energy. This may cause the dishes to crack or burn, and will slow down the cooking speed.
- Use only cookware that is approved to be used in a microwave oven.
- Do not cook using a container with a restricted opening, such as bottles, as they may explode.
- Do not heat baby bottles with the teat left on. Remove it if replacing the bottle back into the oven.
- Only use thermometers that are approved for microwave ovens.
- Do not use the microwave oven for heating utensils.

COOKING TIPS

Defrosting tips

Microwaves penetrate around 4cm into most food. To maximize defrosting effectiveness follow the below guidelines:

1. For thick foods, turn regularly during operation in order to defrost evenly.
2. If food weighs over 500g, it is advised to turn at least 2 times.
3. Defrosted food should be consumed as soon as possible, it is not advisable to put back into the fridge or freeze again.

Cooking tips - The following may affect cooking results:

Food arrangement

If possible, thicker bits of food should be placed around the outside of the dish and the thinner parts toward the centre, spread out as evenly as possible. Do not overlap food if possible as this could result in uneven cooking results.

Cooking time

If you are unsure of cooking times it is advisable to start with a short cooking time and monitor cooking progress before adding further time. Overcooking could lead to a risk of fire. Ensure food is cooked thoroughly before consuming.

Cooking food evenly

Foods such as meat should be turned frequently to ensure more even cooking results. If the food is liquid based, stirring during the cooking time is advisable.

Allow standing time

When the microwave has stopped cooking, leave the food to rest for an adequate length of time to allow for cooking completion and cooling.

CLEANING THE MICROWAVE

- Before you clean the oven, **turn it off and unplug it.**
- Keep the inside of the oven clean. When food or liquids stick to the oven walls, wipe with a damp cloth. We recommend that you do not use harsh detergent or abrasives.
- You should clean the outside of the oven with a damp cloth. **Do not allow water to seep into the ventilation openings.**
- **Do not allow the control panel to become wet.** Clean with a soft, damp cloth. Do not use detergents, abrasives or spray-on cleaners on the control panel.
- If steam builds up inside or around the outside of the oven door, wipe with a soft cloth. This may happen when the microwave oven is used in humid conditions.
- Regularly wipe the bottom surface of the oven with mild detergent and water, then dry
- If the inside of the oven smells, put a cup of water with the juice and skin of one lemon in a deep microwave bowl. Microwave it for three minutes, wipe thoroughly and then dry with a soft cloth.
- Failure to maintain the oven in a clean condition, could lead to deterioration of the surface that will adversely affect the life of the appliance that may result in a hazardous condition.

PROBLEM SOLVING



WARNING: To reduce the risk of personal injury, always unplug the microwave before performing maintenance or trouble shooting checks.

The microwave oven may cause interference to your radio, TV or similar equipment. If this happens, you can stop the interference by moving the radio, TV or equipment as far away from your microwave oven as possible.

Problem	Potential reason	Potential solution
Microwave doesn't work	1. Microwave is not plugged in	Make sure the plug is plugged in securely into the mains and the plug is switched on. If it is not, remove the plug from the socket, wait 10 seconds and plug it in again securely.
	2. Plug is not working	The plug socket that the microwave is plugged into may have become faulty. Plug the microwave into another known good plug socket, ensure that the socket is turned on and check if the microwave now works.
	3. The plug has a blown fuse or the mains circuit has a blown fuse/tripped fuse	Check the plug for a blown circuit fuse or a tripped main circuit breaker. If these seem to be working properly, test the socket with another appliance.
	4. Microwave has developed a fault	Contact customer services to talk through the problem to see if any solution for the fault can be found. If not and the product is within its warranty period, then the microwave should be returned to the retailer it was purchased from for a replacement or refund.
Microwave power doesn't work	1. Door is not closed	Make sure the door is securely closed. Otherwise, the microwave will not engage or operate.
	2. The power has not been set/the timer dial has not been turned	Set the microwave power by pressing the 'Power' button. Select the time by turning the dial and pressing 'Start' to confirm.
Not heating	Magnetron not working	The component that produces the microwaves is called a magnetron, if food is not being heated or is lukewarm then it is likely this component has developed a fault. If the microwave is within its warranty period, please contact customer services for further advice or take the microwave back to the retailer it was purchased from for a refund or replacement.

PROBLEM SOLVING

Problem	Potential reason	Potential solution
Sparking	1. Burnt on food debris	<p>Spillages or splashes can burn and catch fire, all food that is put into the microwave should be appropriately covered. All spillages or splashes must be cleaned, and all areas of microwave cleaned after each use.</p> <p>Burnt on food debris in the microwave can cause the microwave to 'spark'. This is because burnt on debris can be focused on by the microwaves and spark.</p> <p>Microwaves must be thoroughly cleaned after every use to ensure no food is burnt on to any part of the microwave.</p>
	2. Metal or foil	<p>No metal or foil should be put inside a microwave as it can cause 'sparking' which can damage the microwave.</p> <p>The only metal accessories that should be used inside the microwave are the ones supplied by the manufacturer.</p>
	3. Pressure build up in food	<p>Food with non-porous skins (e.g., potatoes) must be pierced to allow steam to escape. The build up of pressure can cause food to burst and create a fire hazard.</p>
Heat spots	Operated empty or with no moisture	<p>Microwaves need moisture to operate correctly and can't be run if the cavity is empty.</p> <p>If microwaves are operated empty or are used to heat up plates (this is not permitted), the microwaves can focus on a single point inside the microwave. This can cause a heat spot, which can cause the area to become deformed, warped or start to melt.</p> <p>If microwaves are operated empty or to heat up foreign objects, this will void the warranty.</p>
Door not shutting/locking	Latches have become deformed	<p>If the microwave is within its warranty period, please contact customer services for further advice or take product back to the retailer it was purchased from for refund or replacement.</p>

PROBLEM SOLVING

Problem	Potential reason	Potential solution
Condensation or excess water	1. Food that is being cooked	By the very nature of how a microwave works, it 'excites' the water molecules in the food it is heating, causing them to move about and generate heat from within the food. Often, when the food heats up, it reaches the point where steam is released. Dependent on the food type being heated (and its water content level), the length of time being heated for – and so the amount of steam generated – it is inevitable that some of the steam will condense and form back into water droplets within the microwave cavity. This can usually be found on the inner walls or most commonly, on the back of the glass door. If not cleaned up, these droplets can start to form small 'pools' of water.
	2. Cooling vents covered	Cooling vents allow the heat and steam to escape from the microwave. These cannot be covered as it can cause excessive water to settle inside the microwave or the microwave to overheat. The installation instructions in the instruction manual must be followed or the warranty will be void.
Paint damage/peeling	Maintenance	If the microwave is within its warranty period, please contact customer services for further advice or take the microwave back to the retailer it was purchased from for a refund or replacement.
Light not working	Bulb not working	Due to the construction of microwaves and certain 'dangerous' components inside, the light bulb can only be changed by a qualified service engineer. If the microwave is within its warranty period, please contact customer services for further advice or take the microwave back to the retailer it was purchased from for a refund or replacement.
Over heating	Cooling vents covered	Cooling vents allow the heat and steam to escape from the microwave. They cannot be covered as it can cause excessive water to settle inside the microwave or the microwave to overheat. The installation instructions in the manual must be followed or the warranty will be void.
Too noisy	Dishes/plate are too large for the microwave	Check that the dishes/plates are the correct size for the microwave and that they are not hitting the walls/door of microwave during operation.

GUARANTEE AND CUSTOMER SERVICES

This product is guaranteed for **12 months** from the date of the original purchase. If any defect arises due to faulty materials or workmanship, the faulty product must be returned to the place of purchase. Refund or replacement is at the discretion of the retailer.

The following conditions apply:

- The product must be returned to the retailer with the original proof of purchase.
- The product must be installed and used in accordance with the instructions contained in this instruction guide and any other instructions for use which are supplied.
- It must be used for domestic purposes only and for its intended use.
- This warranty does not cover wear and tear, damage, misuse or consumable parts.

This does not affect your statutory rights.

Customer Services & Spare Parts:

Region	Contact
UK & Northern Ireland	0345 209 7461
Ireland	1 800 938982
Rest of Europe	europe@productcaregroup.com

CONNECTION TO THE MAINS SUPPLY

WARNING- THIS APPLIANCE MUST BE EARTHED

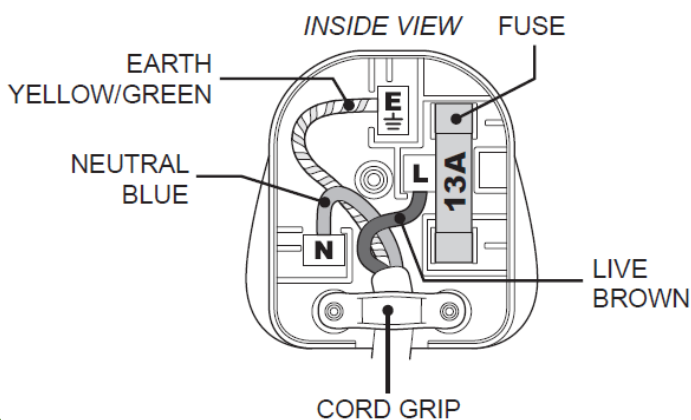
This appliance is designed to operate from a mains supply of
230-240V~ 50Hz.

Check that the voltage marked on the product corresponds with
your supply voltage.

This product is fitted with a moulded 13A plug complying with
BS1363. If this plug is unsuitable or needs to be replaced, refer to
customer services as it should only be replaced by a qualified
engineer.

To replace the 13amp fuse, remove the plug from the socket,
remove the fuse cover near the pins of the plug, remove the fuse
and replace with 13amp fuse. Refit the fuse cover and plug the unit
back into the power supply.

Important: The wires in the mains lead are coloured in
accordance with the following code:



GREEN/YELLOW – EARTH

BLUE – NEUTRAL

BROWN – LIVE

CONNECTION TO THE MAINS SUPPLY

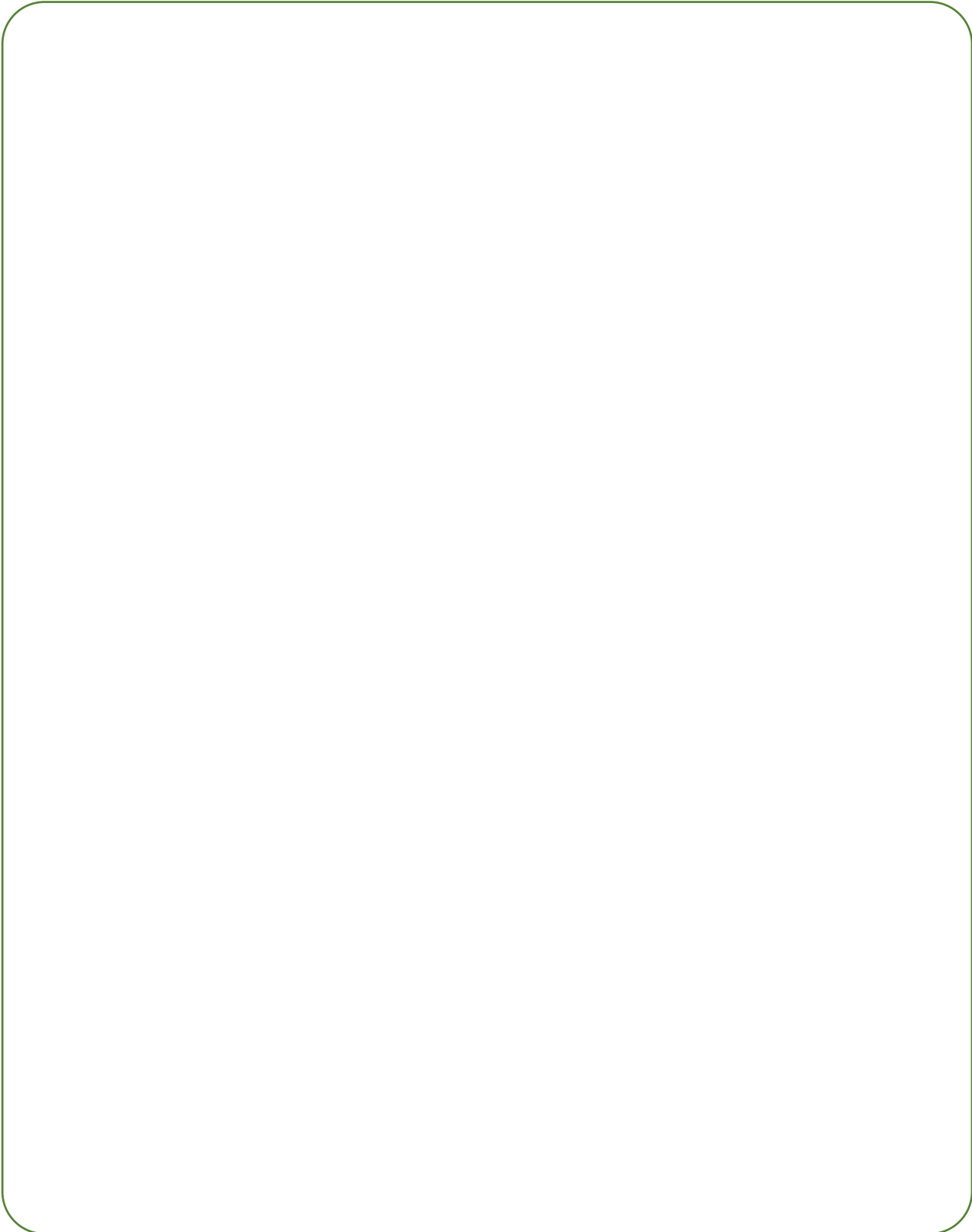
For UK use only – PLUG

- As the colours of the wires in the mains lead of this appliance may not correspond with the coloured markings identifying the terminals in your plug, proceed as follows:
- The **GREEN/YELLOW** wire is the EARTH and must be connected to the terminal which is marked with the letter E or by the earth symbol or coloured **GREEN** or **GREEN/YELLOW**.
- The **BLUE** wire is the NEUTRAL and must be connected to the terminal marked with the letter N or coloured **BLACK**.
- The **BROWN** wire is the LIVE wire and must be connected to the terminal marked with the letter L or coloured **RED**.
- **Always ensure that the plug cord grip is fastened correctly.**
- If a 13A (BS1363) fused plug is used it must be fitted with a 13amp fuse conforming to BS1362 and be BSI or ASTA approved.

If the fuse cover is lost the plug must not be used until a replacement is obtained from an electrical supplier.

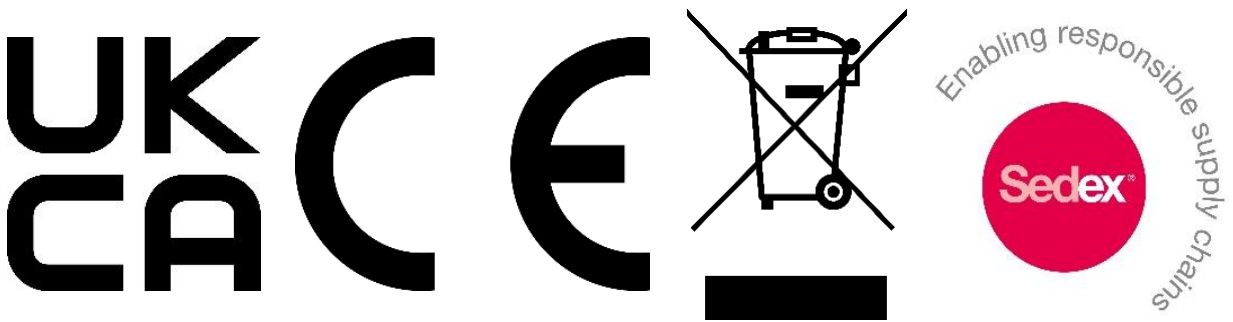
If you need to remove the plug, cut it from the mains lead and dispose of it. NEVER attempt to re-use this plug or insert it into a socket outlet, as there is a very great risk of electrical shock.

NOTES



abode

Made by Product Care Trading Limited. Product Care Trading Ltd, Unit 1, Green Bank Business Park, Swan Lane, Hindley Green, Wigan, WN2 4AY, United Kingdom/Product Care (Ireland) Ltd, Unit 3D North Point House, North Point Business Park, New Mallow Road, Cork, T23 AT2P, Ireland.



The 'whee bin' symbol is known as the 'Crossed-out whee bin Symbol'. When this symbol is marked on a product/batteries, it means that the product/batteries should not be disposed of with your general household waste. Only discard electrical/electronic/battery items in separate collection schemes, which cater for the recovery and recycling of materials contained within. Your co-operation is vital to ensure the success of these schemes and for the protection of the environment. For your nearest disposal facility, visit www.recycle-more.co.uk or ask in store for details.

SEDEX – Connecting businesses and their global suppliers to share ethical data and enabling improvement in ethical performance. Visit www.sedex.org.uk for further information.

We reserve the right, due to possible changes to design, to alter the instruction manual without prior notice.

Revision 1.4