

# MAH447 Santa Fe Balustrade Dining Table 7ft Solid top

## Assembly instructions



### Pre-Assembly :

- Please read all the instruction carefully and completely before assembly.
- Remove all part and hardware from box along with any plastic protective packaging. Do not discard any contents until after assembly is complete to avoid discarding small part or hardware accidentally.
- For your convenience and ease, assembly by two people is strongly recommended.

### Part Included :

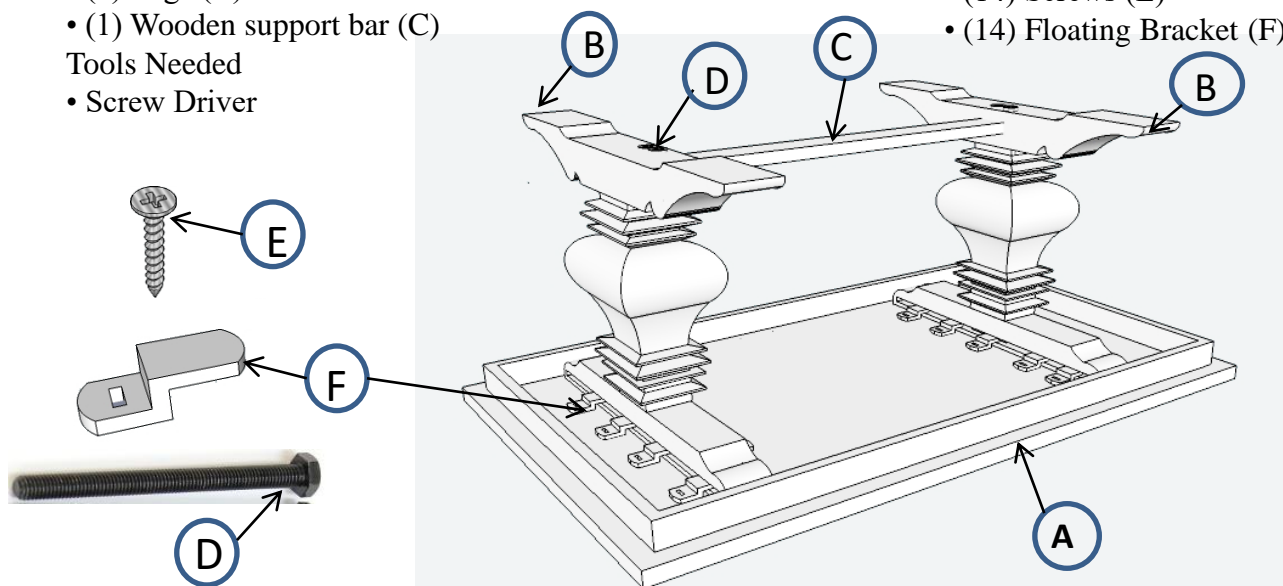
- (1) table top (A)
- (2) Legs (B)
- (1) Wooden support bar (C)

### Tools Needed

- Screw Driver

### Hardware Included :

- (4) Long Bolt (D)
- (14) Screws (E)
- (14) Floating Bracket (F)



### Assembly Instructions :

1. Carefully lay the tabletop ( A ) upside down on a carpeted or scratch-free surface.
2. Align 1 leg ( B ) with floating bracket that prepare on the top wood frame.
3. Align the Wooden support ( C ) bar to the leg, then align another leg to the top wood frame.
4. Secure the floating bracket (F) with the screw (E). Do not tighten yet
5. Put the long bolt ( D ) to the predrilled holes and screw it
6. Tighten all screws with screw driver. Do not over tighten

### Care instruction :

1. This items is intended for indoor use only. To clean, use the damp cloth, wipe spills Immediately
2. Avoid the use of cleaners or abrasives as they may damage finish.