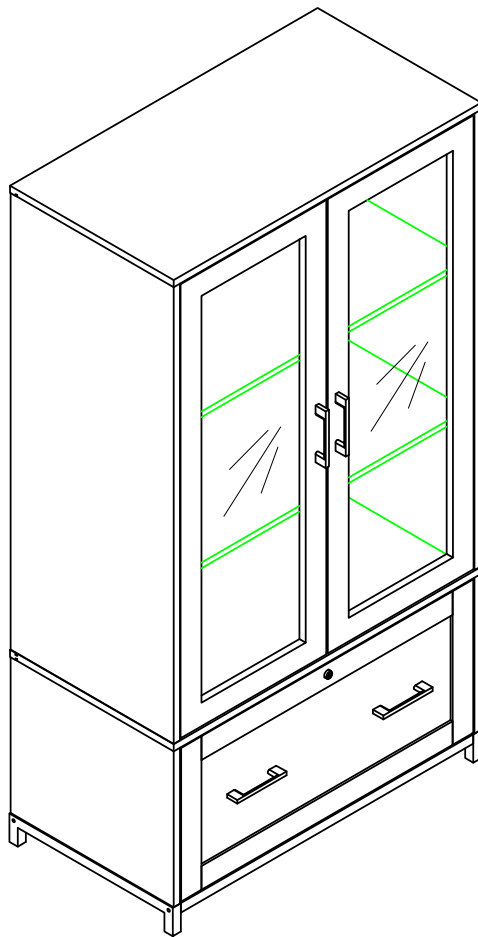


---

# FILE CABINET

ASSEMBLY INSTRUCTION



Please contact us via email if parts are missing or damaged, we will us gladly ship your replacement parts free of charge

**⚠ IMPORTANT**

THIS INSTRUCTION BOOKLET CONTAINS IMPORTANT SAFETY INFORMATION.  
PLEASE READ AND KEEP FOR FUTURE REFERENCE.

# RETURN & WARRANTY

## Thank you for choosing our product!

We would like to take this opportunity to thank you for choosing

We hope that you are completely satisfied with your purchase, and enjoy it for years to come.

**Your satisfaction is our highest pursuit.**

## Return policy

We believes you will absolutely love your furniture, but if for some reason you want to return the product, please contact us directly before you decide to return your product to the retailer. Our Customer Service organization can answer most concerns and can assist you with any questions you may have about your new product.

The item must be returned in good condition, in original box, with all original proof of purchase, parts and accessories, within the time frame specified by the retailer it was purchased from.

## Warranty

We warrants this product to be free from defects in material and workmanship agrees to remedy any such defect. This warranty covers one year from the date of original purchase. This is solely limited to be repair or replacement of defective parts and no assembly labor is included.

This warranty does not apply to any product which has been improperly assembled, subjected to misuse or abuse or which has been altered or repaired in any way.

Components repaired or replaced warranted through the remainder of the original warranty period only. The defective components will be repaired or replaced without charge, subject to the terms and conditions described above.

For help with assembly, identifying parts, product information or to order parts, please contact us freely.

# BEFORE STARTING

## Before Using Product



- Read each step carefully before starting. It is very important that each step is performed in the correct order. If these steps are not followed in sequence, assembly difficulties will occur.



- Make sure all parts are included. Most board parts are labeled or stamped on the raw edge.

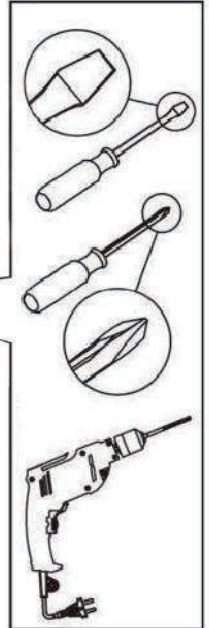
- Prepare a flat and Philips screwdriver (not included) A Power Screwdriver is recommended.



- Work in a spacious area and near where the unit will be used, preferably on a carpet, or use a piece of the cardboard packaging to protect your floor and product.



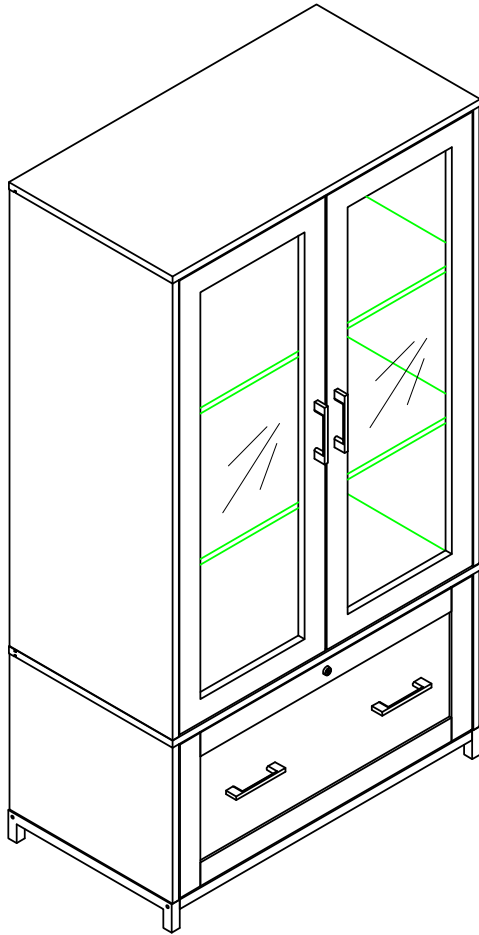
- For a smooth assembly process, we suggest you keep a lite tightness for all the screws during assembly. After the whole product is assembled, firmly tighten all the screws.



## **!** WARNING :

- Do not allow children to climb on unit
- Serious or fatal crushing injuries can occur from furniture tip-over. To prevent this furniture from tipping over, it must be permanently fixed to the wall. Fixing devices for the wall are not included since different wall materials require different types of fixing devices. Use fixing devices suitable for the walls in your home. For advice on suitable fixing systems, contact your local specialized dealer
- Avoid sharp objects or corrosive chemicals to prevent damage to the product
- During assembly, keep parts and packaging materials away from children and pets as there could be potential injury and choking hazards

# ASSEMBLY TIPS



## OVERALL SIZE:

75 x 40 x 140 cm (L x W x H)

29.5 x 15.7 x 55.1 inch (L x W x H)

## FEATURES:

3 Shelves

2 Glass Doors

1 Large Drawers

for Letter/Legal Size Folders



Estimated Time for Assembly

**120-150 mins**



Estimated People For Assembly

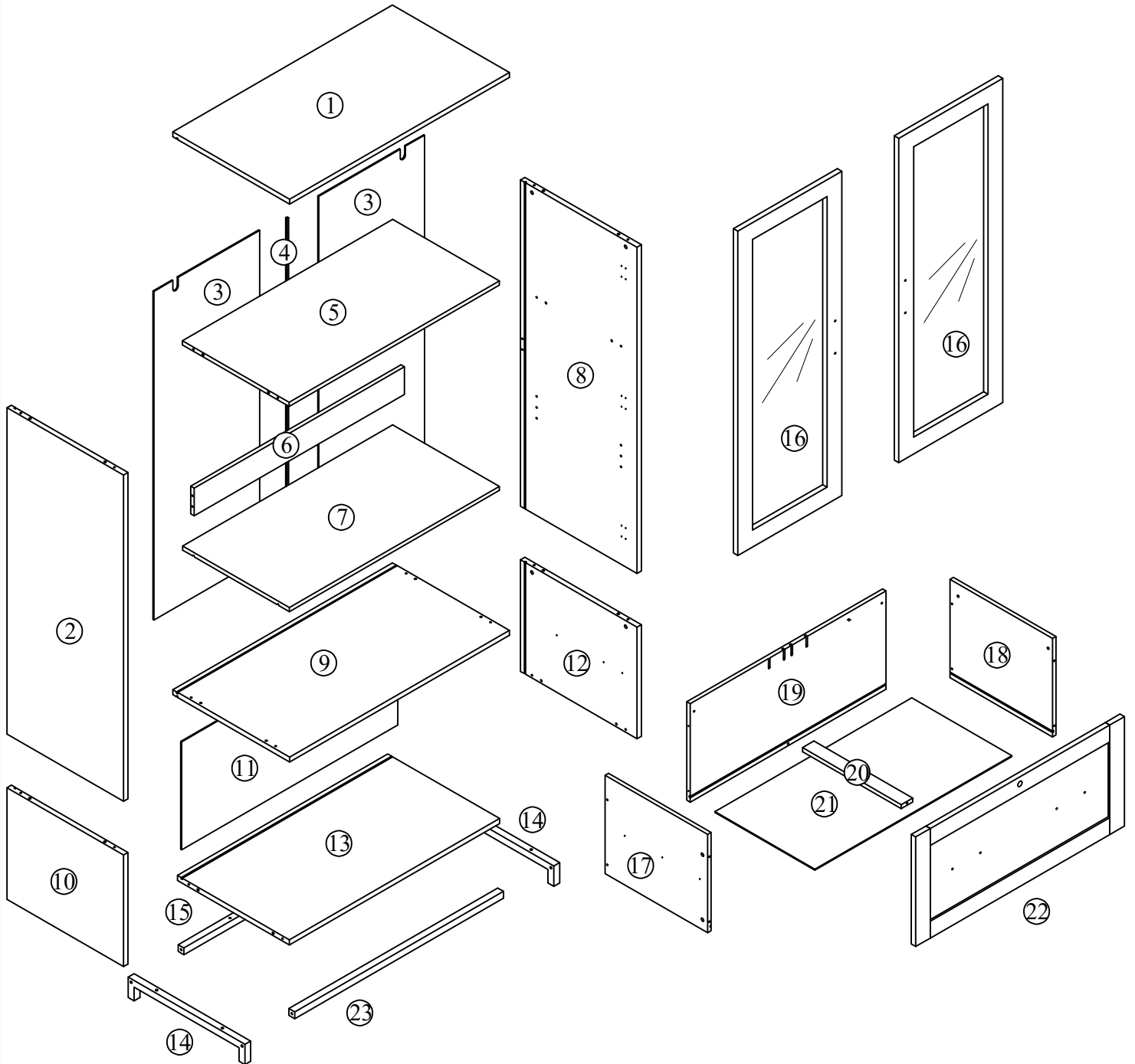
**2**

## Caution:

1. This product is designed for home use and not intended for commercial use.
2. This product contains small components. Please ensure that they are kept away from small children.
3. Be careful when using power tools to assemble your furniture. Power tools may strip or damage the parts.

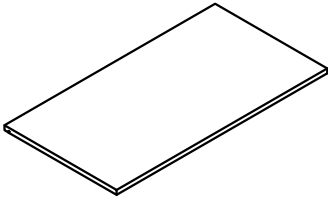
# IDENTIFY PARTS

One unit per box



# COMPONENTS

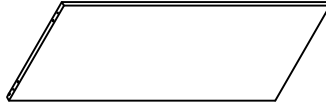
1



749x398x15mm

Top Panel x1

2



965x397x15mm

Upper Left Panel x1

3



972x362mm

Upper Back Panel x2

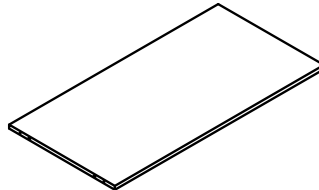
4



960mm

Upper Back Strip x1

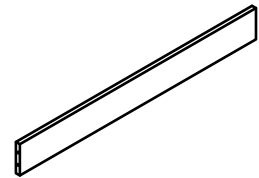
5



718x363x12mm

Upper Shelf x1

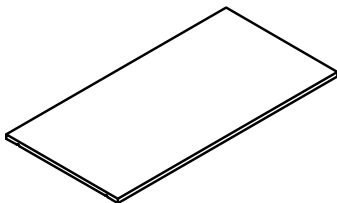
6



718x81x12mm

Back Brace x1

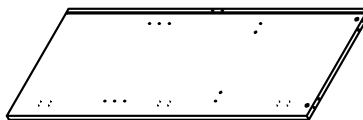
7



717x363x12mm

Adjustable Shelf x1

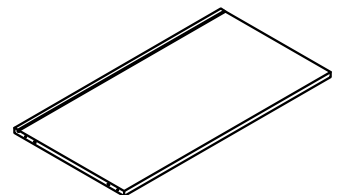
8



965x397x15mm

Upper Right Panel x1

9

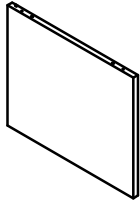


749x398x15mm

Middle Panel x1

# COMPONENTS

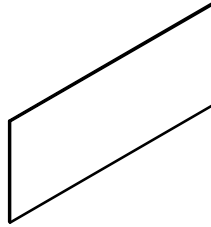
10



330x397x15mm

Lower Left Panel x1

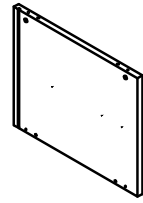
11



724x322mm

Lower Back Panel x1

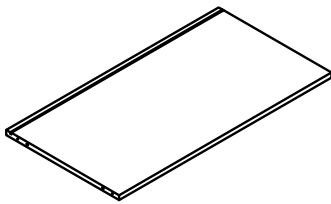
12



330x397x15mm

Lower Right Panel x1

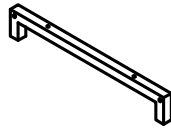
13



718x381x15mm

Bottom Panel x1

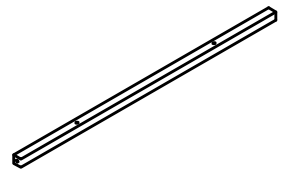
14



60x398x20mm

Iron Frame x2

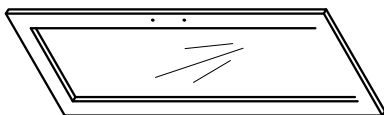
15



708x20x20mm

Iron Back Strip x1

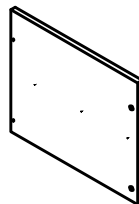
16



959x354x15mm

Door Panel x2

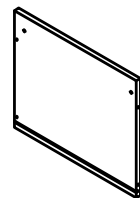
17



350x290x12mm

Drawer Left Panel x1

18

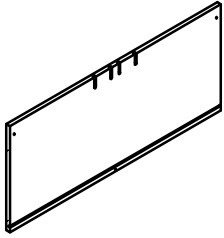


350x290x12mm

Drawer Right Panel x1

# COMPONENTS

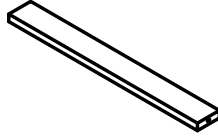
19



669x290x12mm

Drawer Back Panel x1

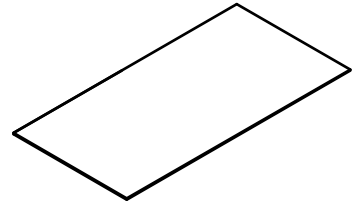
20



337x39x12mm

Drawer Bottom Brace x1

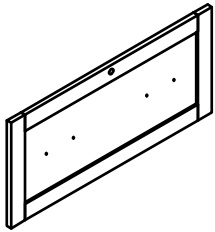
21



674x344mm

Drawer Bottom Panel x1

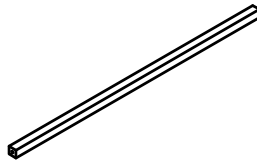
22



711x324x15mm

Drawer Front Panel x1

23

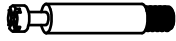


708x20x20mm

Iron Front Strip x1

# COMPONENTS

**A**



+2(spare)

Φ6X35mm

Cam Bolt x25

**B**



+2(spare)

Φ15X10mm

Cam Lock x25

**C**



+2(spare)

Φ6X30mm

Wood Dowel x20

**D**



+1(spare)

Φ4X35mm

Screw x5

**E**



+2(spare)

Φ3X12mm

Screw x12

**F**

F-1



F-2



Φ4X8mm

Drawer Handle & Bolt x2

**G**

G-1



G-2



G-3



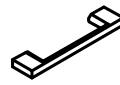
Lock & Keys x1

**H**

H-1



H-2



Φ4X18mm

Door Handle & Bolt x2

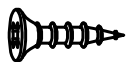
**I**



Φ5X30mm

Screw x6

**J**

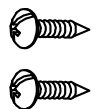


Φ3X16mm

Screw x4

**K**

K-1



K-2



Φ4X12mm

Screw & Bracket x2

**L**

L-1



L-2



L350

Drawer Slide x2

# COMPONENTS

M

M-1



M-2



+1(spare)

Φ3X16mm

Back Panel Wedge & Screw x12

N



Φ6X35mm

Screw x4

O



Sticker x2

P

P-1



P-2



P-3



Φ4X45mm

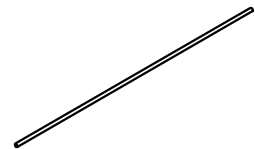
Expansion screw & Washer x2

Q



Hexagonal Wrench x1

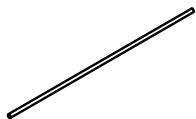
R



677mm

Long Hanging Rod x2

S



348mm

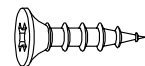
Short Hanging Rod x4

T



Door Hinge x6

U



+3(spare)

Φ4X12mm

Screw x36

V



Φ5

Shelf Support x4

W

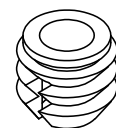


+1(spare)

Φ5X40mm

Screw x4

X

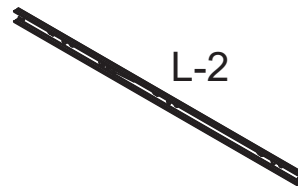
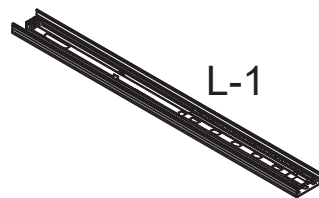
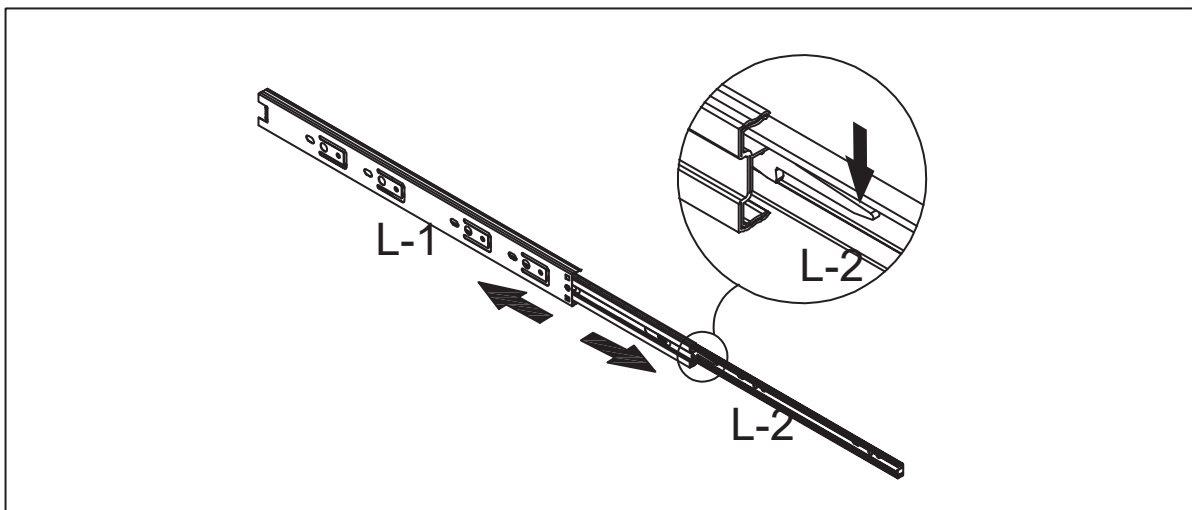
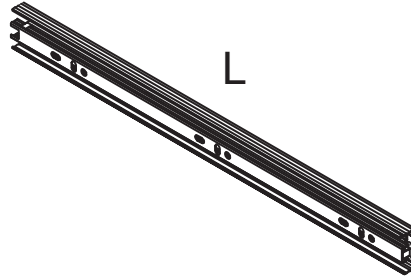


(spare)

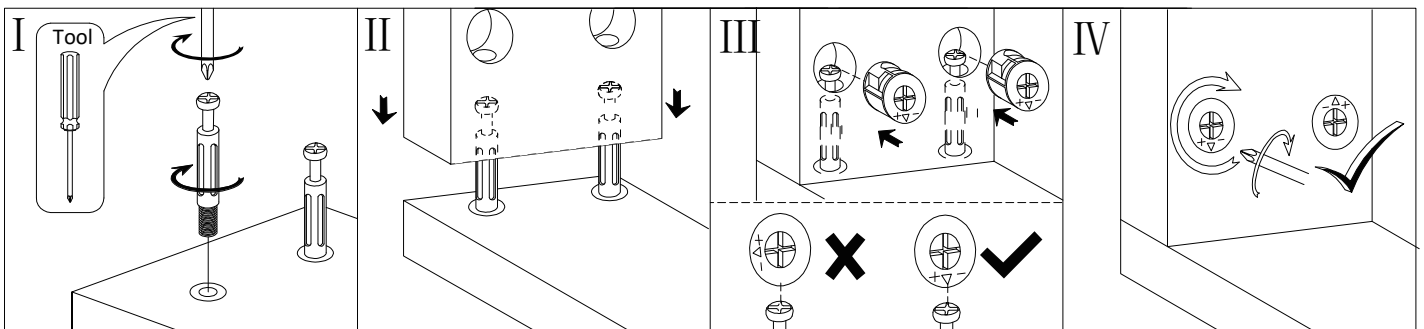
Plastic Plug x3

# ASSEMBLY STEPS

Detach the drawer slide before assembling it, there is a detach button on the side of the drawer slide and you can remove the drawer slide by pressing the button down



## "A & B" Hardware installation example

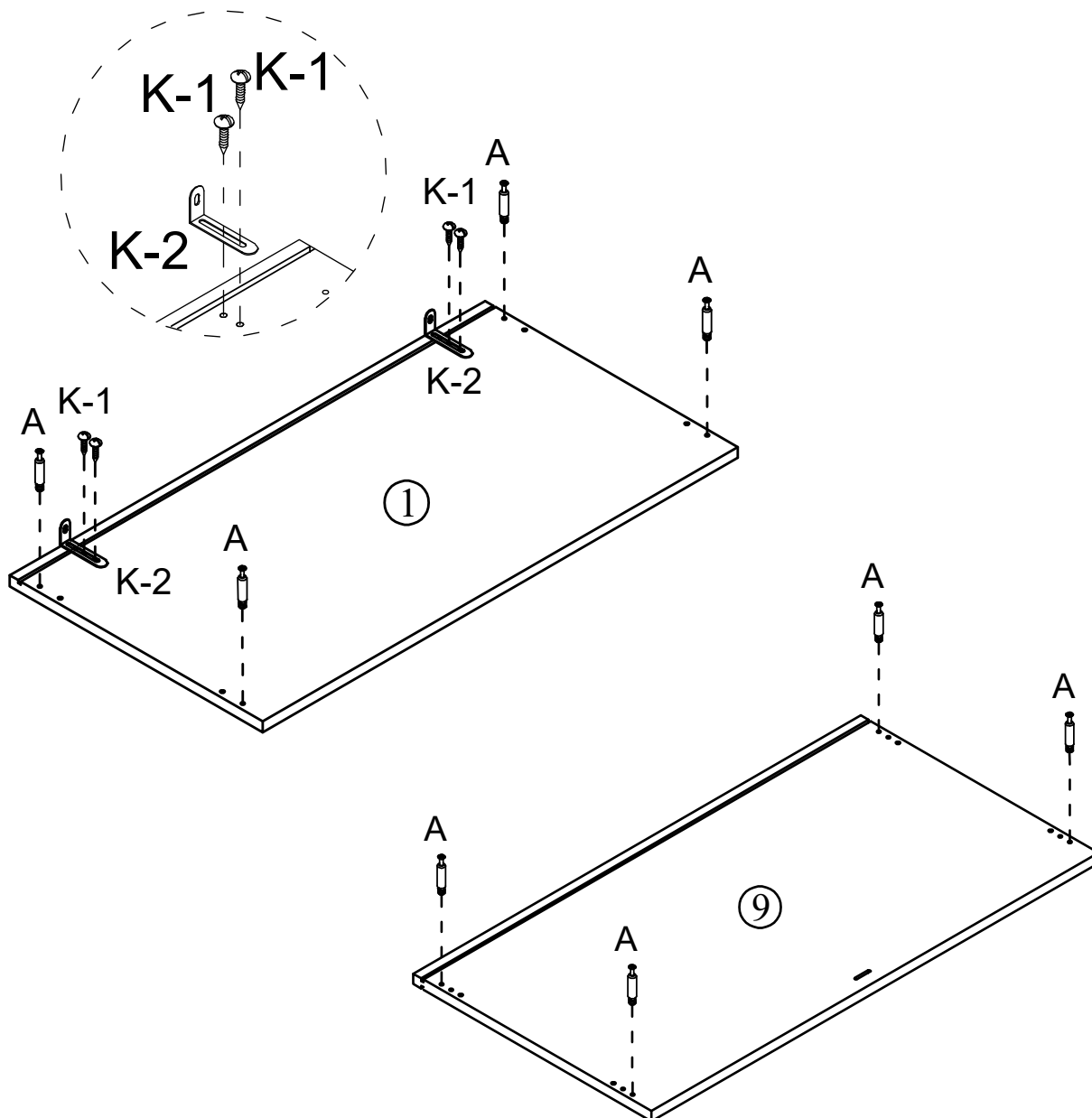


# ASSEMBLY STEPS

A x 8	M6x35mm	K x 2	K-1	M4x12mm	K-2
-------	---------	-------	-----	---------	-----

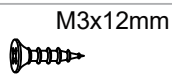
## STEP 1

1. Fix the cam bolt (A) on panel (1) and (9) respectively.
2. Use screw (K-1) to fix the bracket (K-2) on panel (1).



# ASSEMBLY STEPS

E x 6



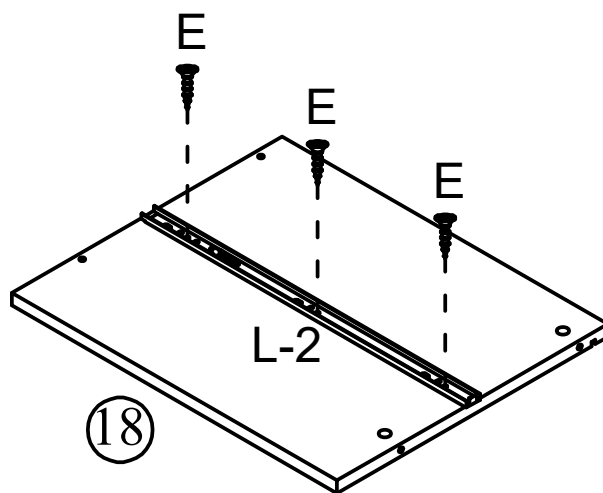
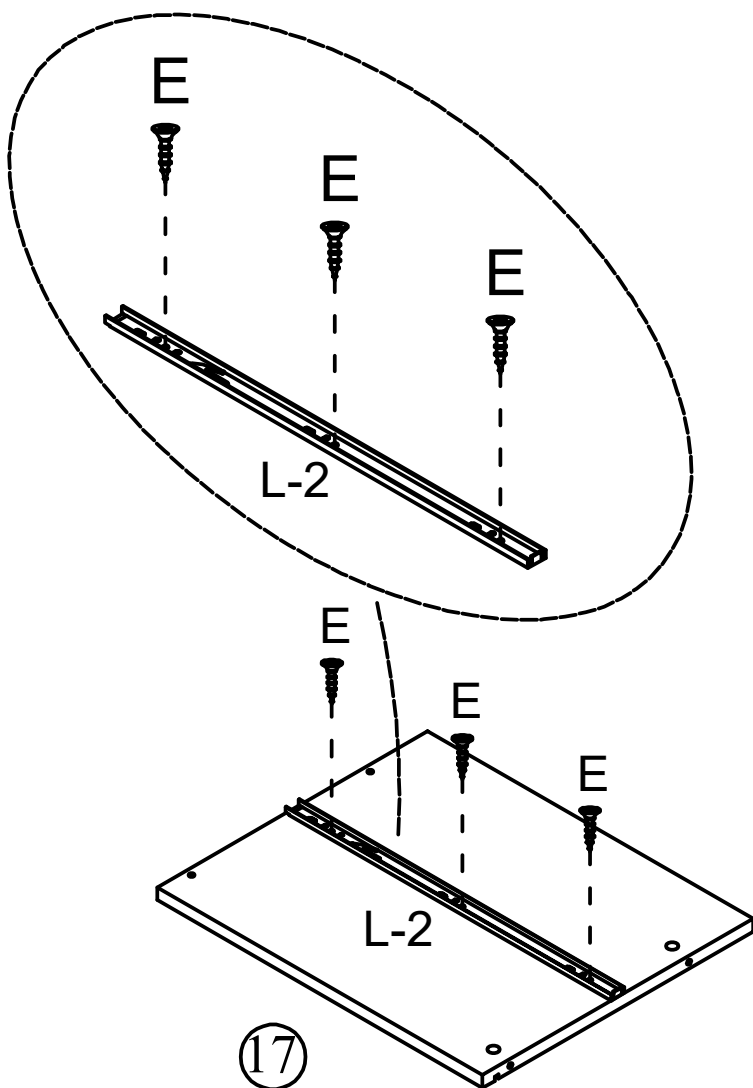
L x 2

L-2



## STEP 2

1. Secure screw (E) to fix drawer slide (L-2) on panel(17) and (18) respectively.

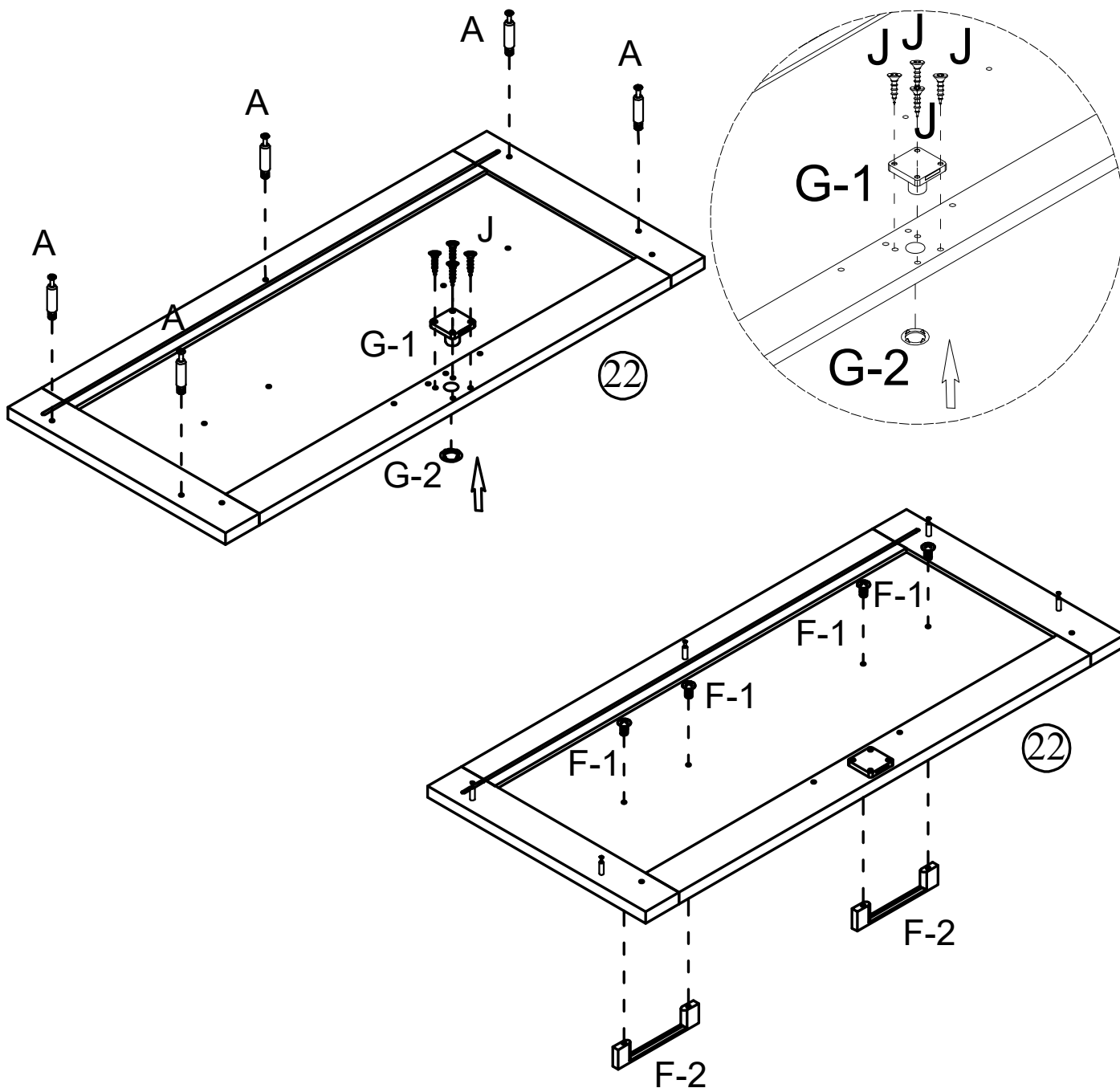


# ASSEMBLY STEPS

A x 5	 M6x35mm	F x 2	F-1  F-2  M4x8mm	G x 1	G-1  G-2 	J x 4	 M3x16mm
-------	---	-------	--	-------	--	-------	---

## STEP 3

1. Fix the cam bolt (A) on panel(22).
2. Separate the (G-2) part and the (G-1) part of the lock. Then fit them into the pre-drilled holes on panel (22) from the front and the back respectively, and secure them with screws(J).
3. Use the screw(F-1) to secure handle(F-2) to panel(22).

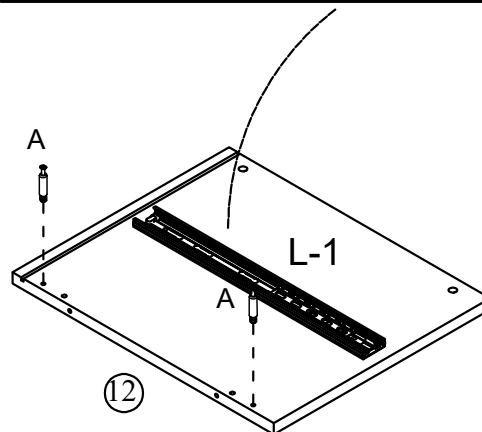
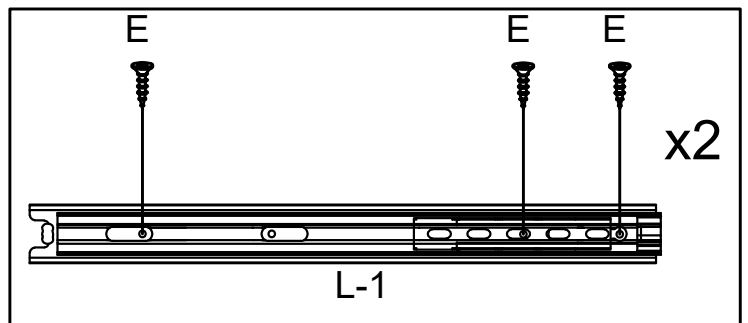
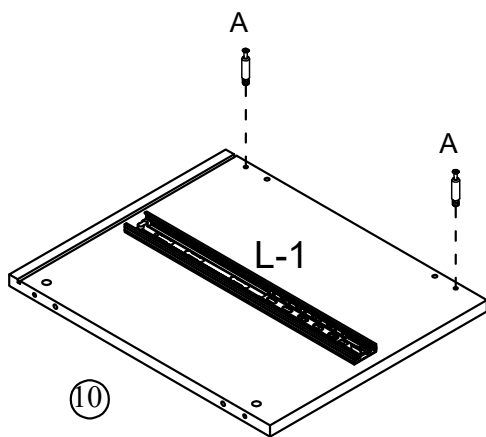


# ASSEMBLY STEPS

A x 4	M6x35mm 	E x 6	M3x12mm 	L x 2	L-1 
-------	--	-------	--	-------	---

## STEP 4

1. Fix the cam bolt (A) on panel(10) and (12) respectively.
2. Secure screw (E) to fix drawer slide (L-1) on panel(10) and (12) respectively.

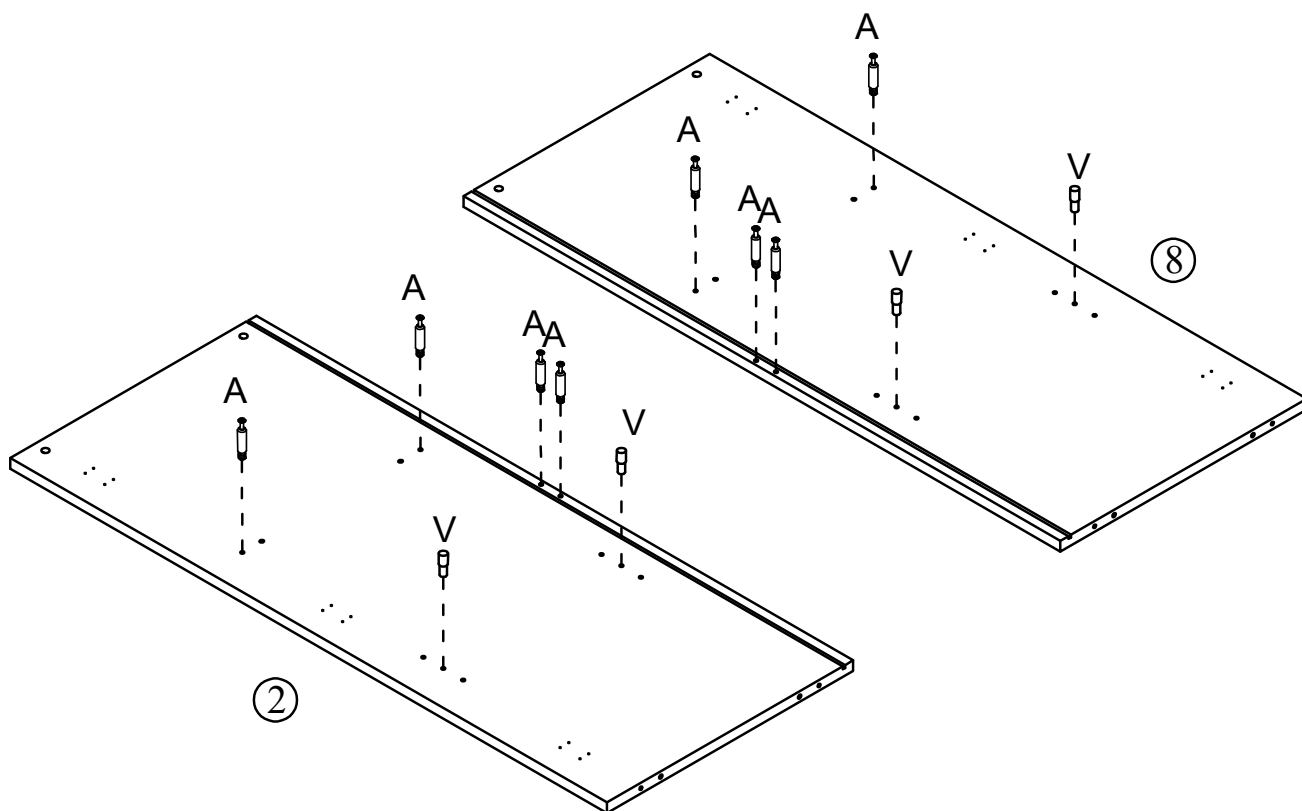


# ASSEMBLY STEPS

A x 8	M6x35mm 	V x 4	
-------	--	-------	---

## STEP 5

1. Fix the cam bolt (A) on panel(2) and (8) respectively.
2. Fix the shelf support(V) on panel(2) and (8) respectively.

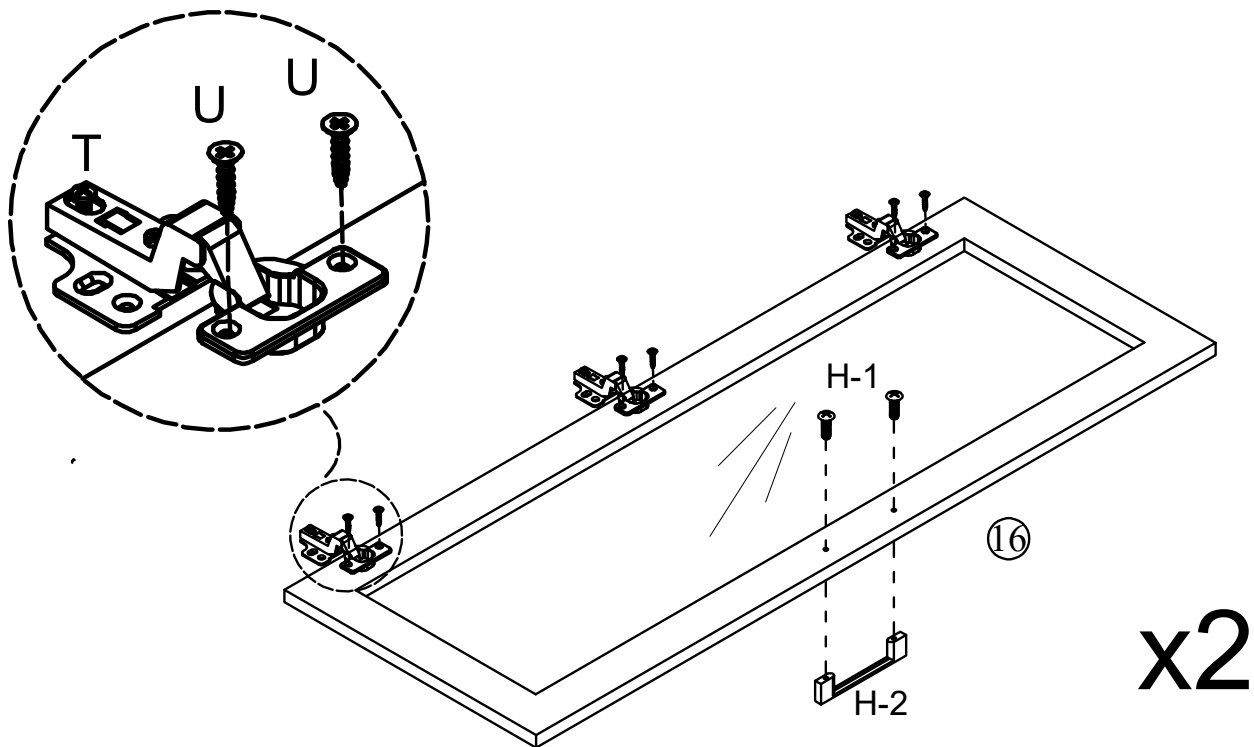


# ASSEMBLY STEPS

H x 2	H-1	M4x18mm H-2	T x 6		U x 12	M4x12mm 
-------	-----	----------------	-------	---	--------	---

## STEP 6

1. Use screw(U) to fix the hinge(T) on door panels(16).
2. Use the screw(H-1) to secure handle(H-2) to panel(16).

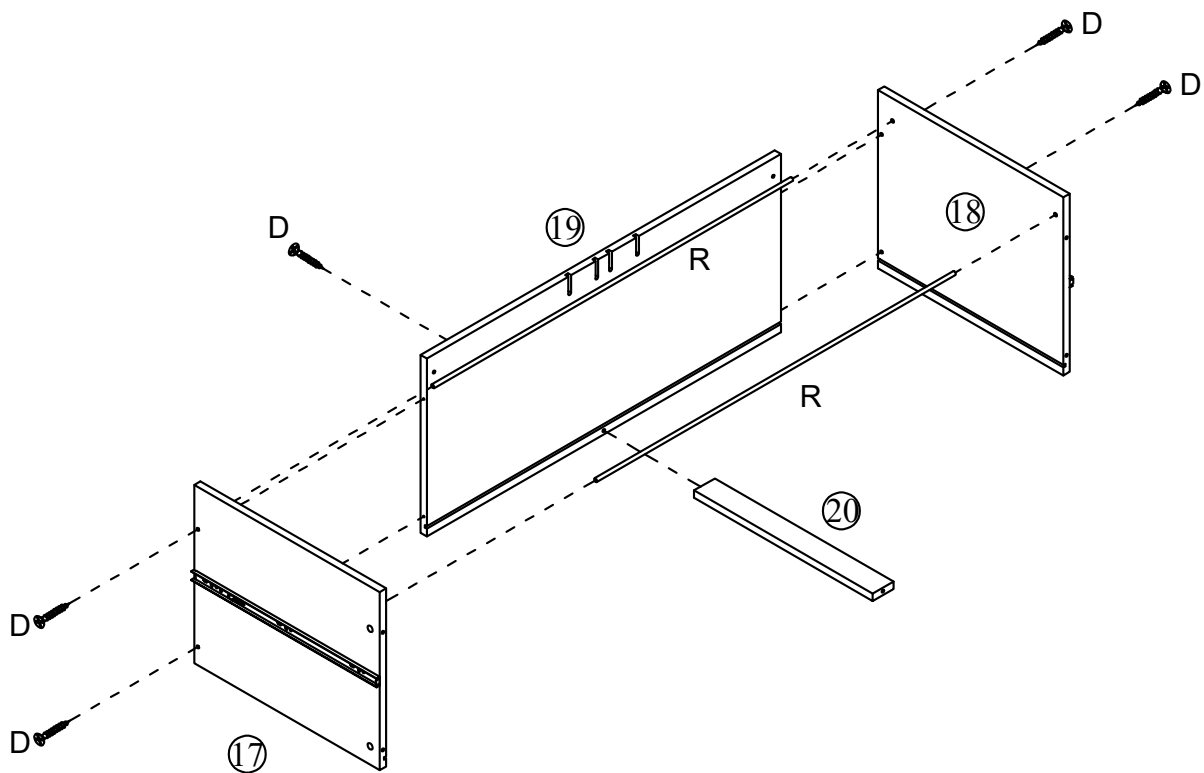


# ASSEMBLY STEPS



D x 5	M4x35mm 	R x 2	
-------	--	-------	---

## STEP 7

1. Connect panel(17)&(18)&(19)&(20) and insert the long hanging rod(R), then tighten them with screw(D).

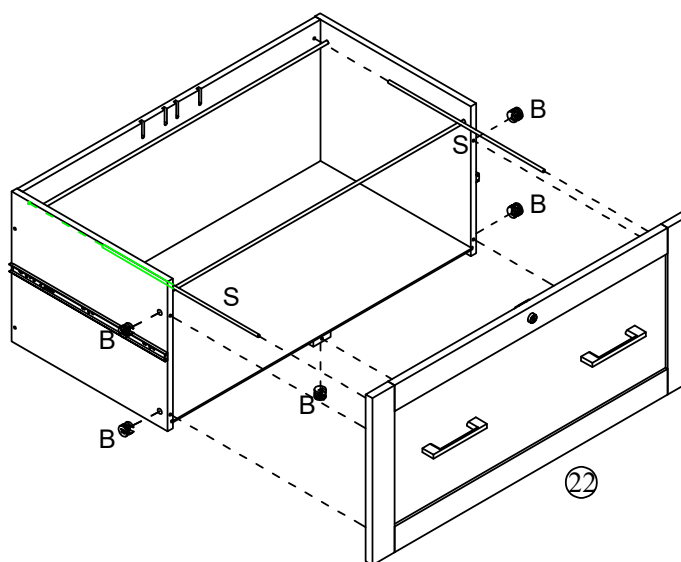
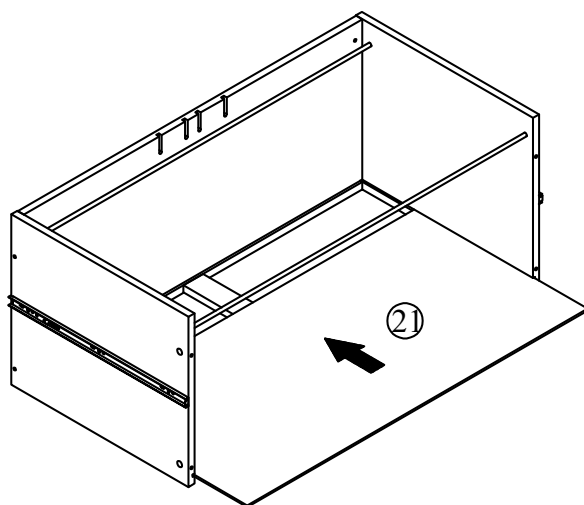


# ASSEMBLY STEPS

B x 5	M15x10mm 	S x 2	
-------	---	-------	---

## STEP 8

1. Insert panel(21) along the groove.
2. Insert short hanging rod(S) into the hole.
3. Attach panel(22) to the drawer and tighten them with cam lock(B).



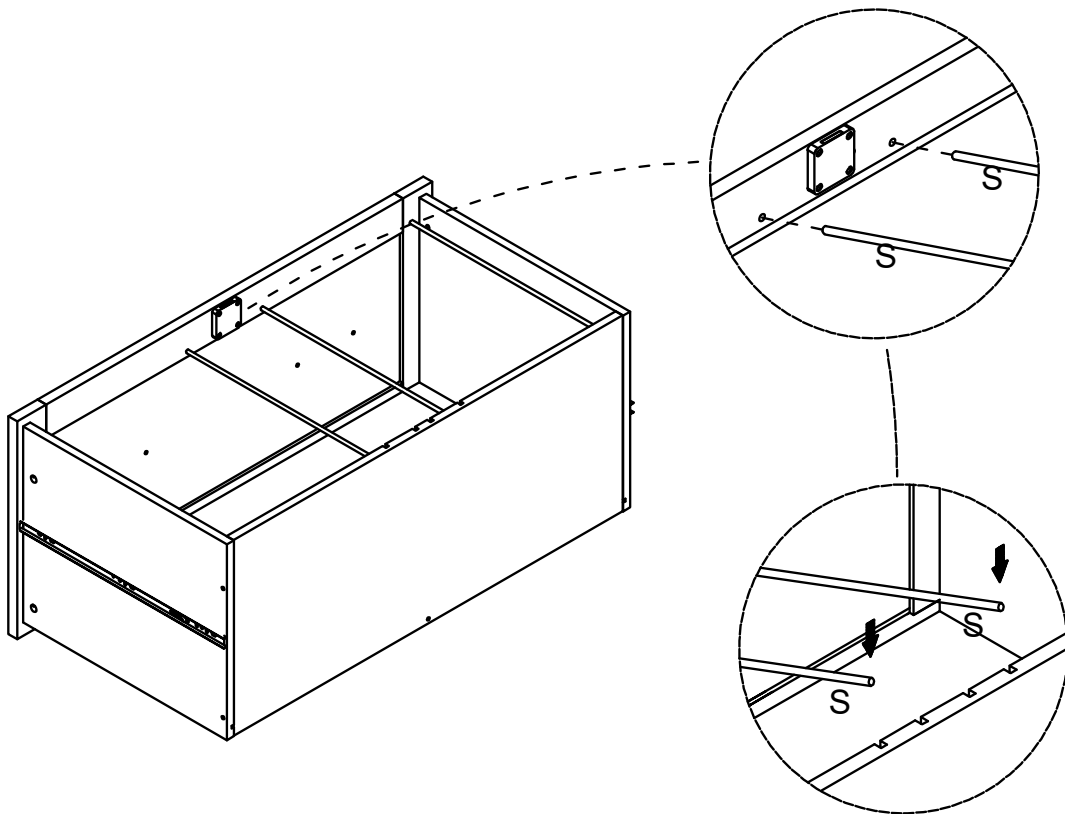
# ASSEMBLY STEPS

S x 2





## STEP 9

1. Insert short hanging rod(S) into the drawer.

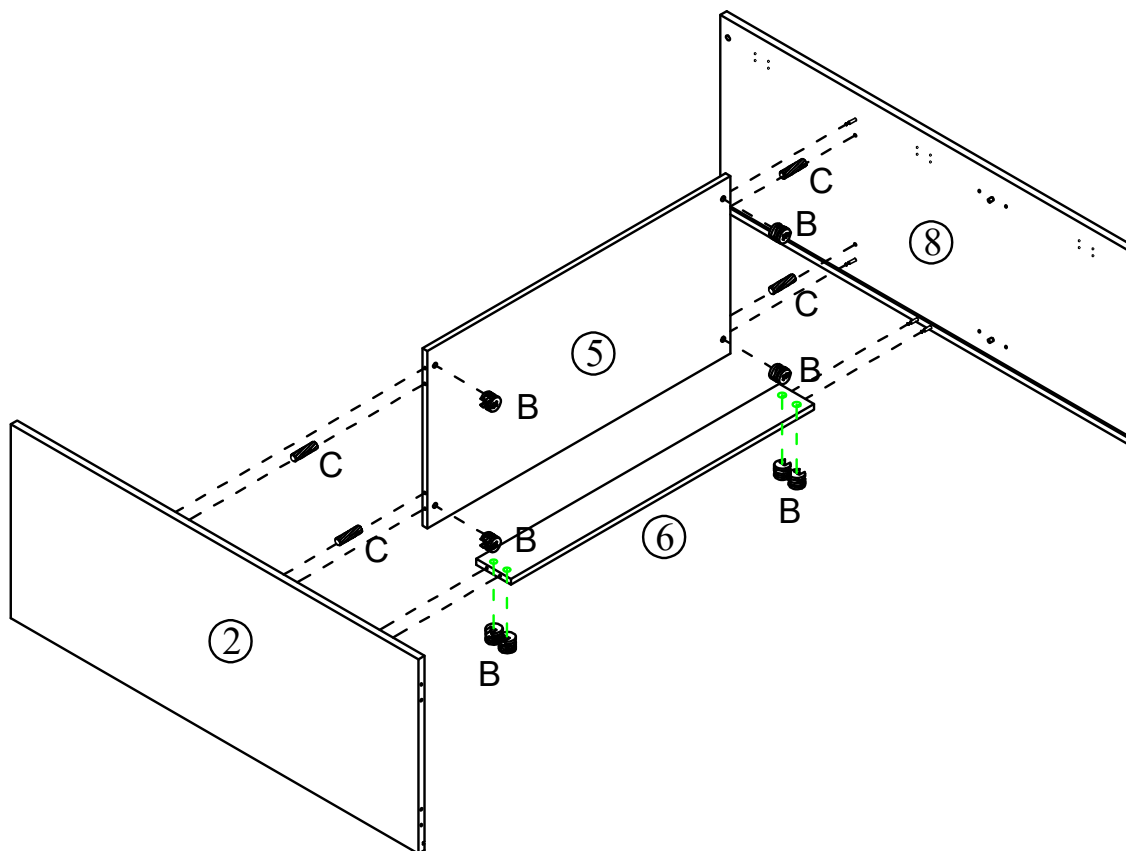


# ASSEMBLY STEPS


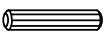
B x 8	M15x10mm 	C x 4	M6x30mm 
-------	---	-------	--

## STEP 10

1. Connect panel(2)&(5)&(6)&(8) using the wood dowel(C) and tighten them with the cam lock(B)

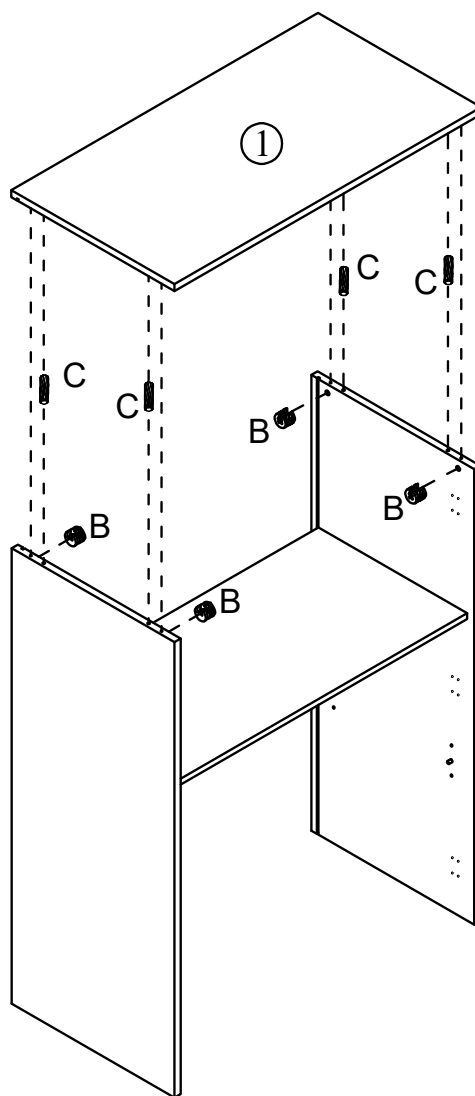


# ASSEMBLY STEPS

B x 4	M15x10mm 	C x 4	M6x30mm 
-------	---	-------	--

## STEP 11

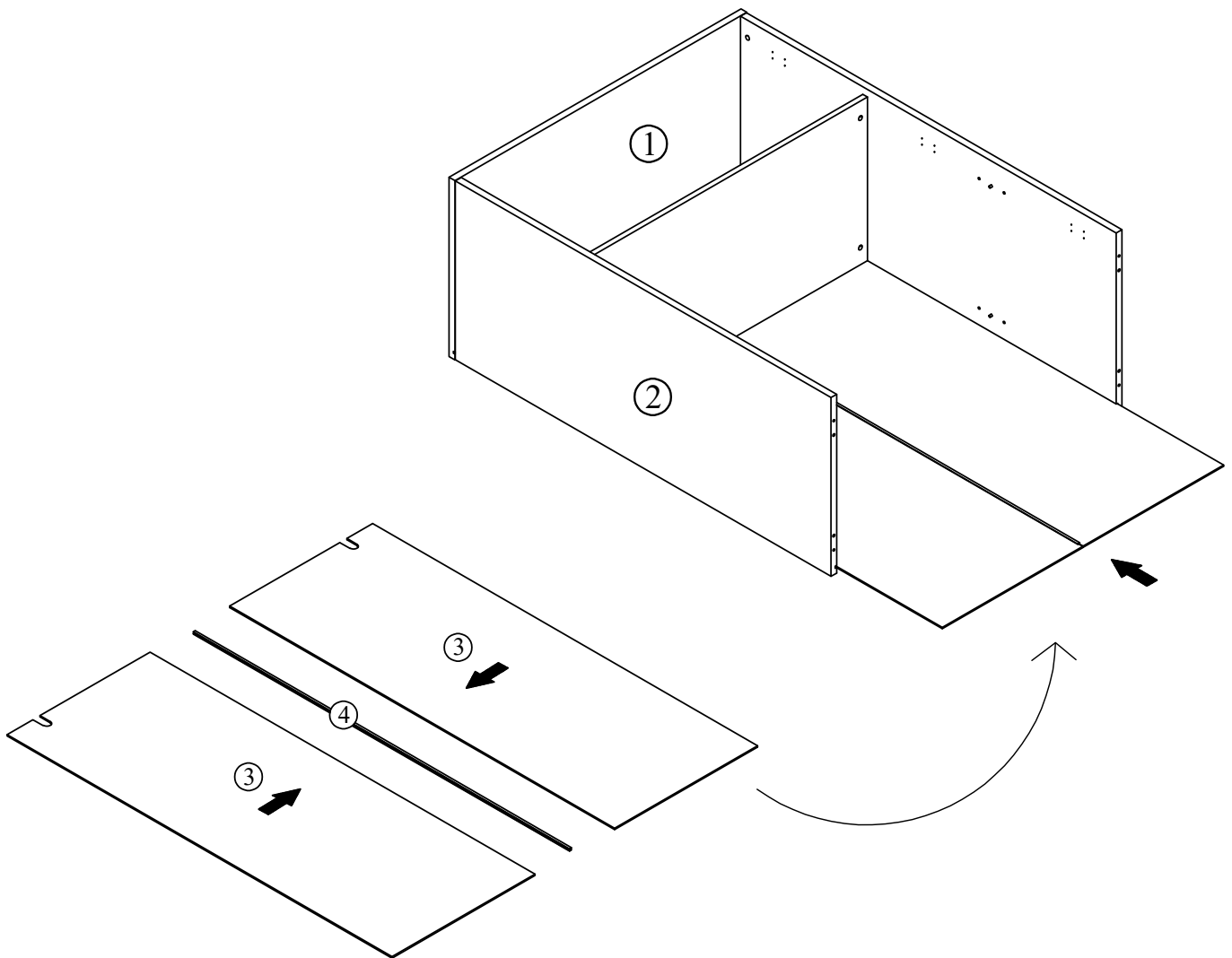
1. Connect panel(1) with panel(2)&(8) using the wood dowel(C) and tighten them with the cam lock(B)



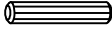
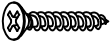
# ASSEMBLY STEPS

## STEP 12

1. Connect panel(3)&(4) and insert them into the cabinet along the groove.

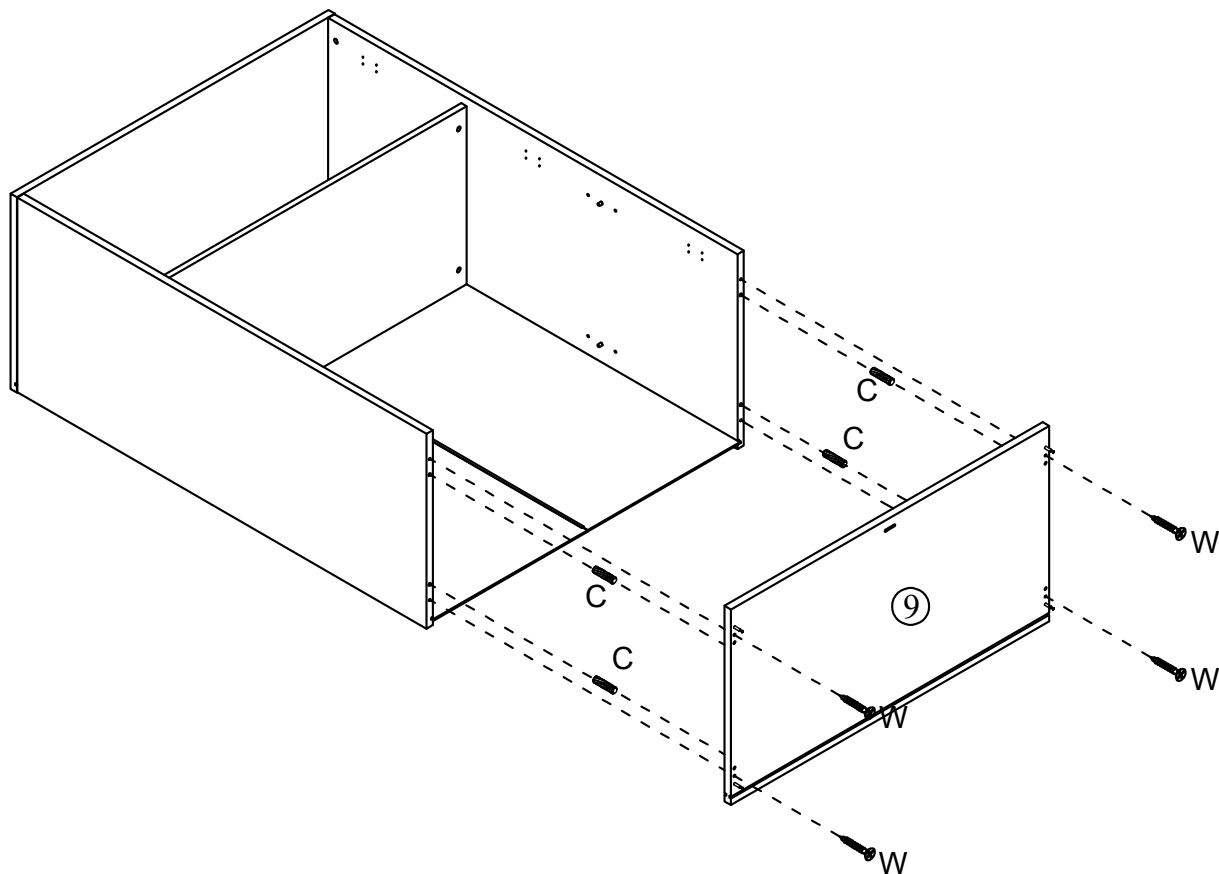


# ASSEMBLY STEPS



C x 4	M6x30mm 	W x 4	M5x40mm 
-------	--	-------	--

## STEP 13

1. Connect panel(9) with panel(2)&(8) using the wood dowel(C) and use wrench(Q) to tighten them with screw(W).

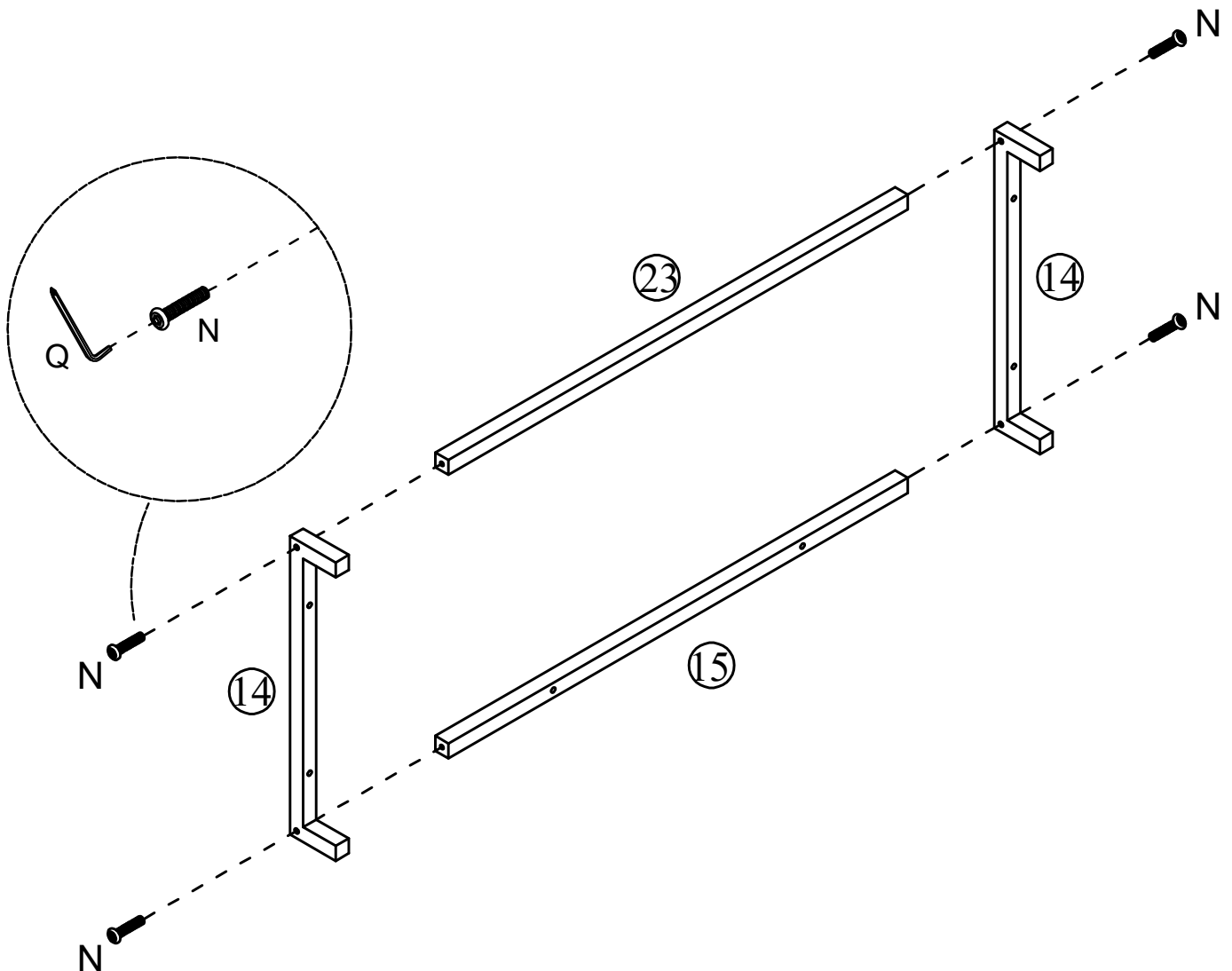


# ASSEMBLY STEPS


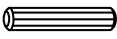
N x 4	M6x35mm 	Q x 1 
-------	--	--

## STEP 14

1. Connect iron frame(14)&(15)&(23) and tighten them with screw(N).

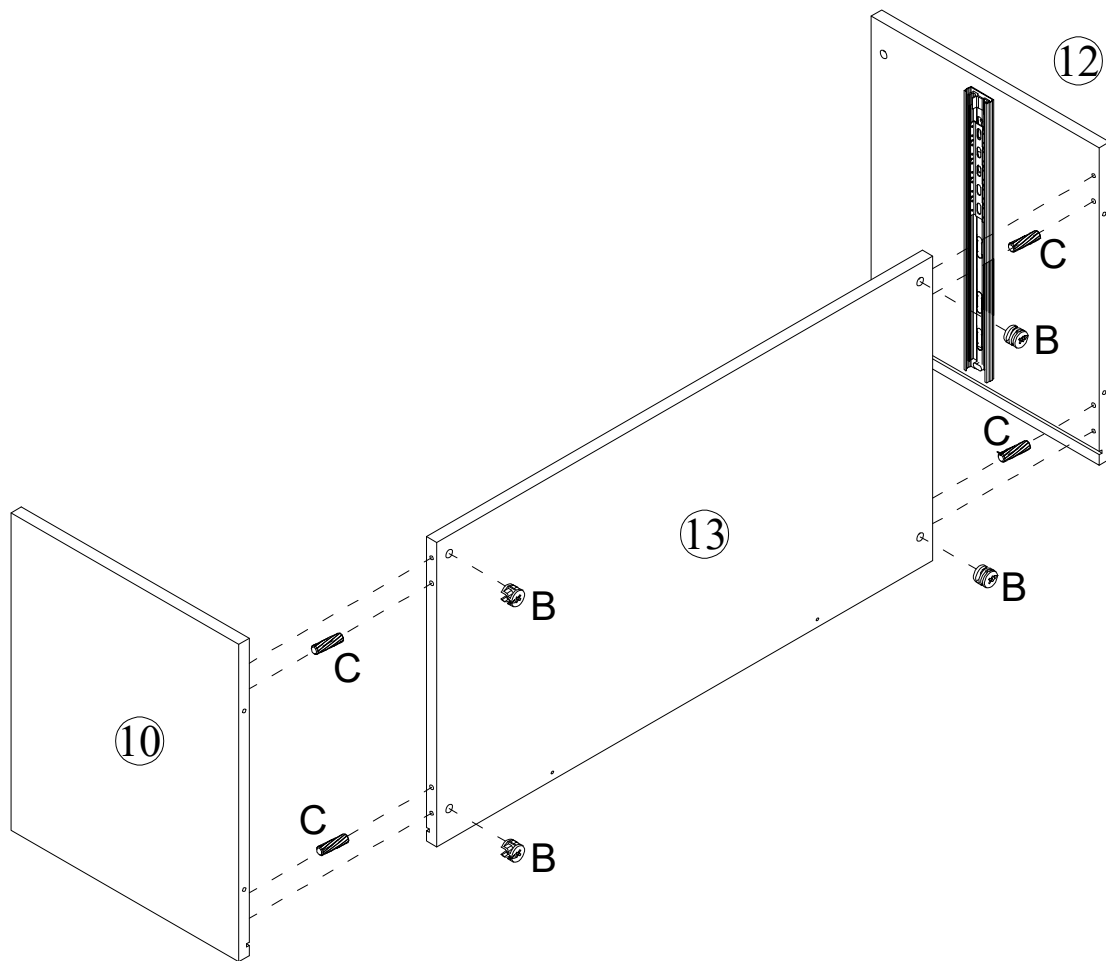


# ASSEMBLY STEPS

B x 4	M15x10mm 	C x 4	M6x30mm 
-------	---	-------	--

## STEP 15

1. Connect panel(10)&(12)&(13) using the wood dowel(C) and tighten them with the cam lock(B)



# ASSEMBLY STEPS

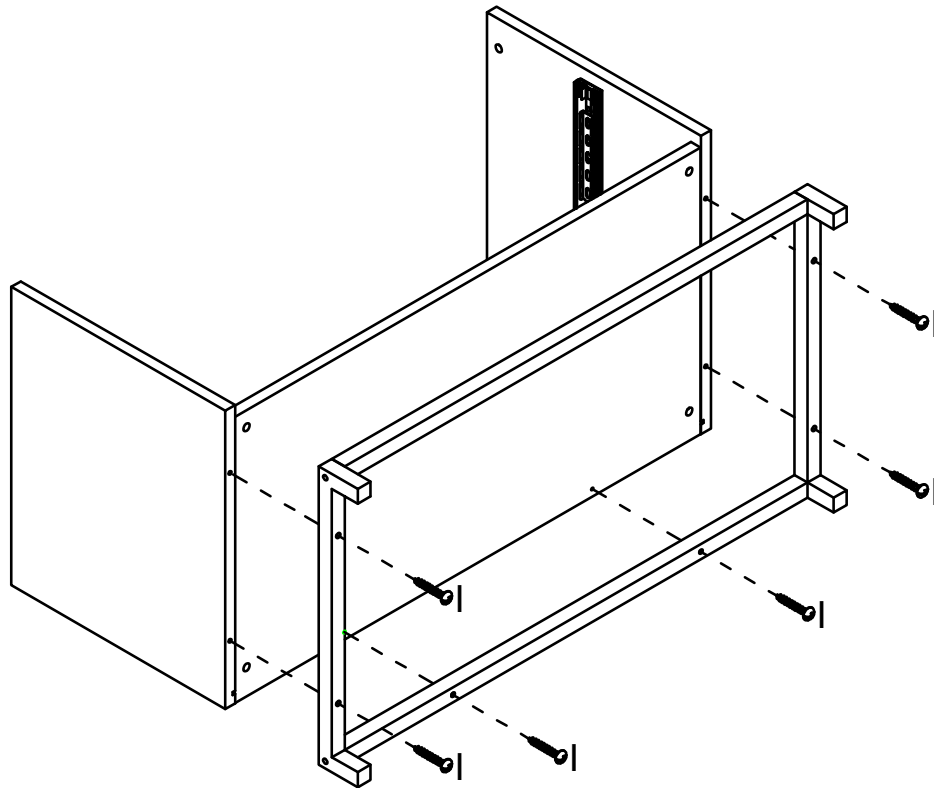
1 x 6



M5x30mm

## STEP 16

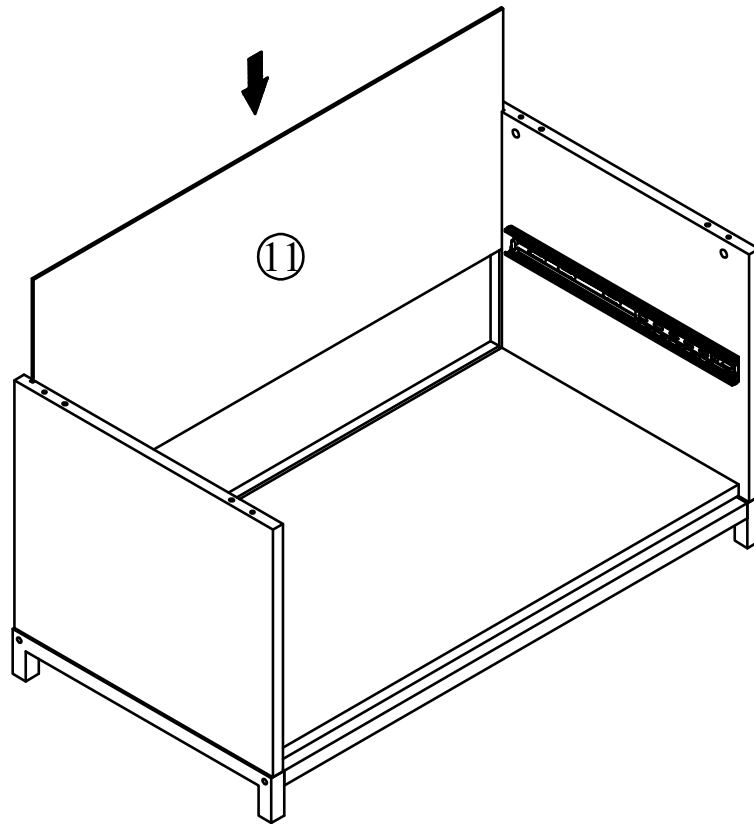
1. Connect iron part with panel(10)&12) and tighten them with screw(I).



# ASSEMBLY STEPS

## STEP 17

1. Insert panel(11) along the groove.

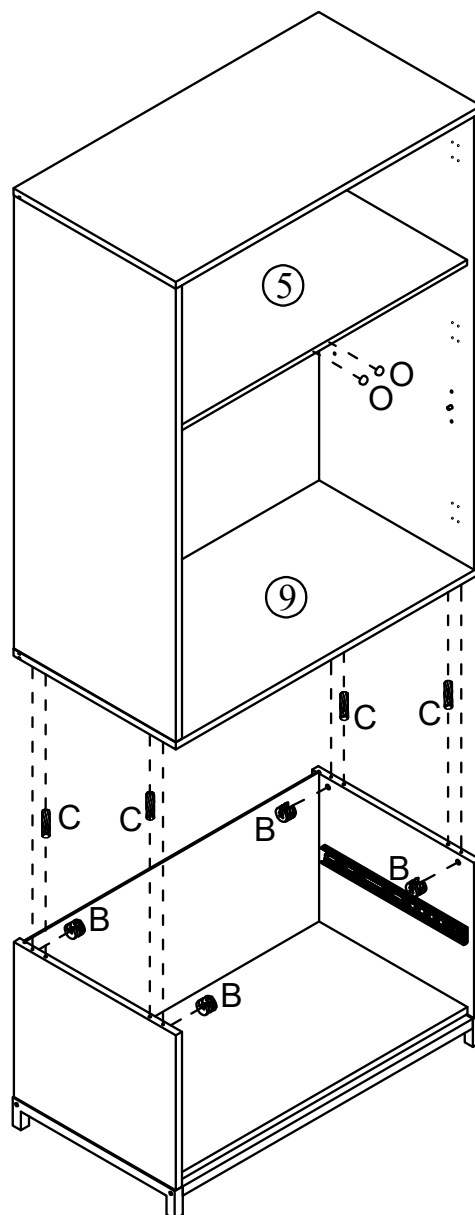


# ASSEMBLY STEPS

B x 4	M15x10mm 	C x 4	M6x30mm 	O x 2	
-------	---	-------	--	-------	--

## STEP 18

1. Attach panel(9) to the panel(10)&(12) and tighten them with wood dowel(C) and cam lock(B).
2. Stick the anti-collision sticker(O) on the middle of shelf(5).



# ASSEMBLY STEPS

M x 12

M-1



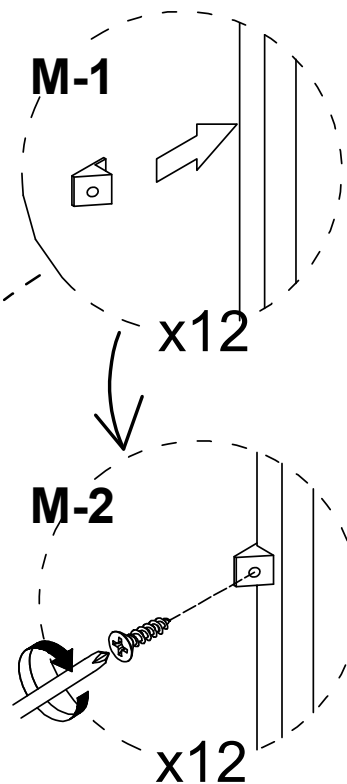
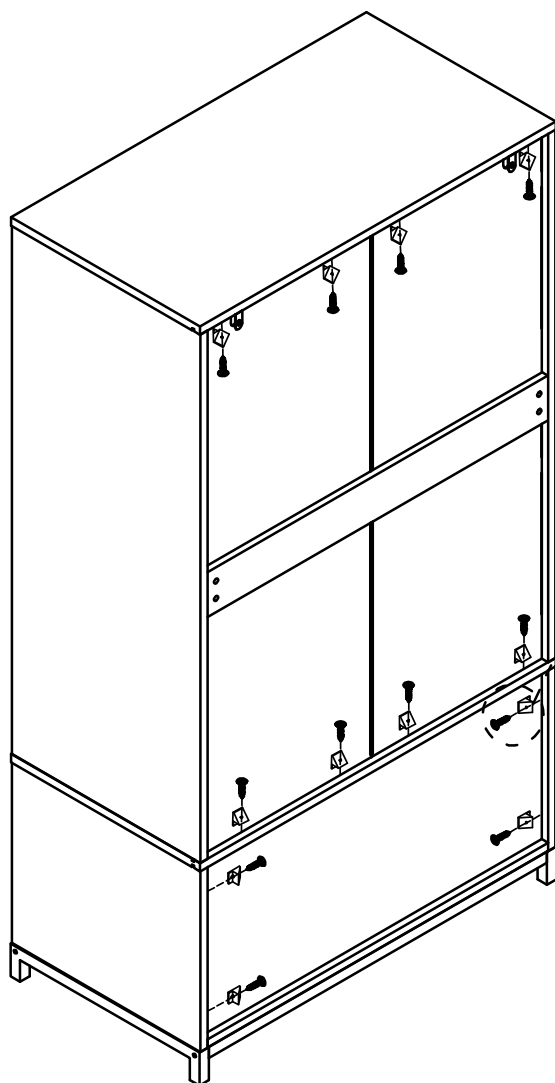
M3x16mm

M-2



## STEP 19

1. Insert the wedge(M-1) into the gaps of back panel and tighten them with screw(M-2).



# ASSEMBLY STEPS

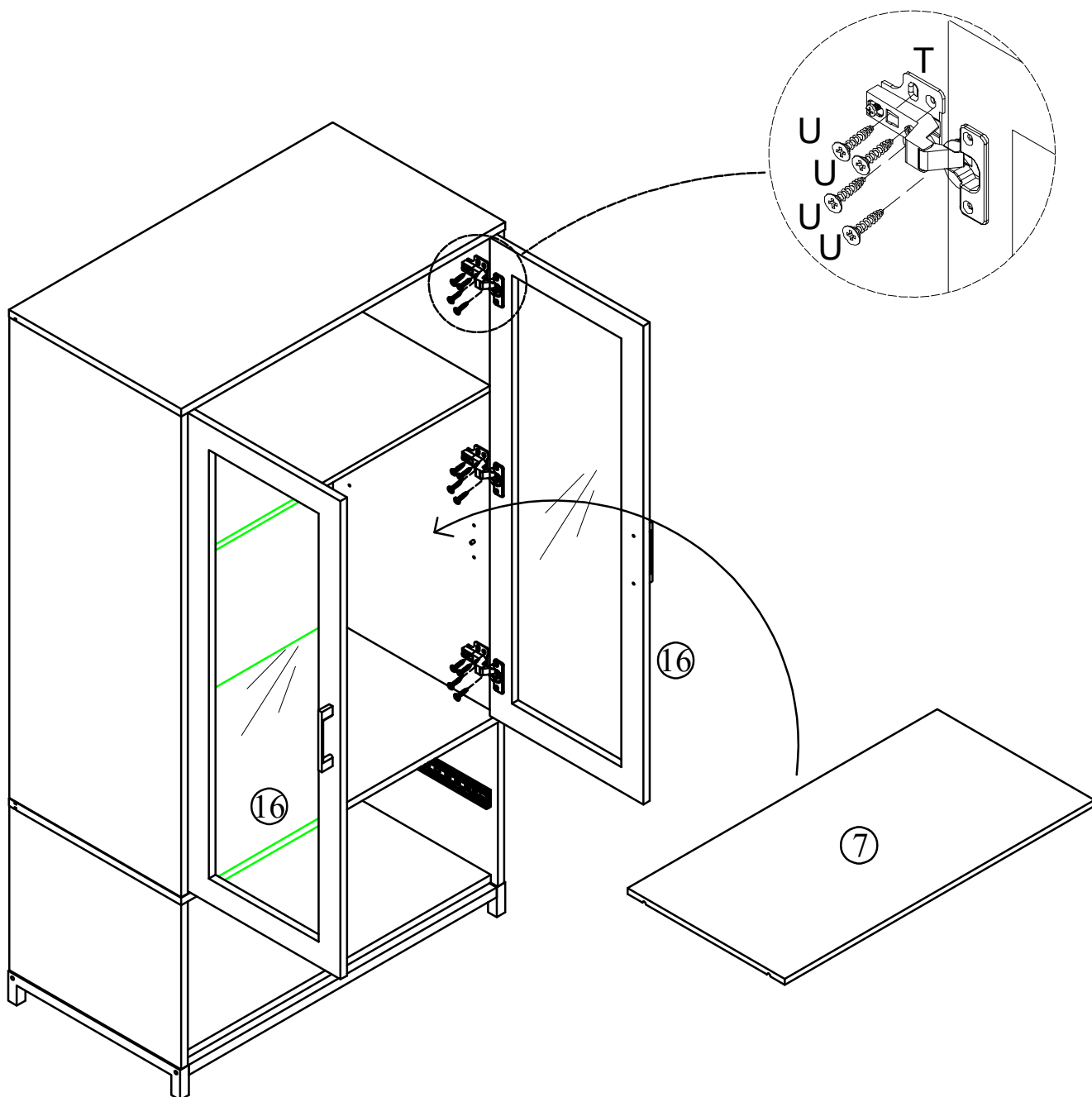
U x 24



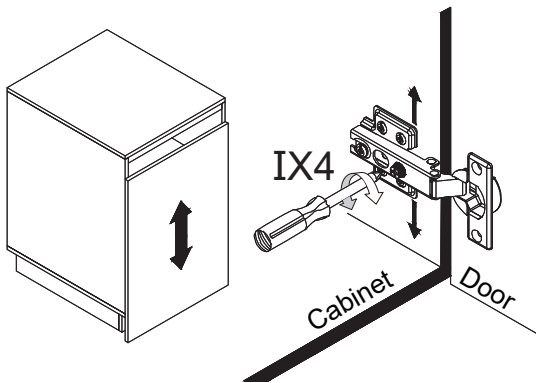
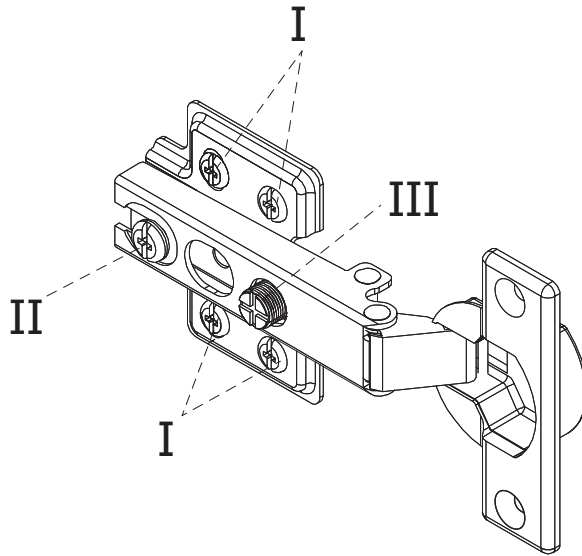
M4x12mm

## STEP 20

1. Put shelf(7) into the cabinet.
2. Align the door hinges(T) to the holes on the side panel and tighten the door panels(16) to the cabinet with screw (U).

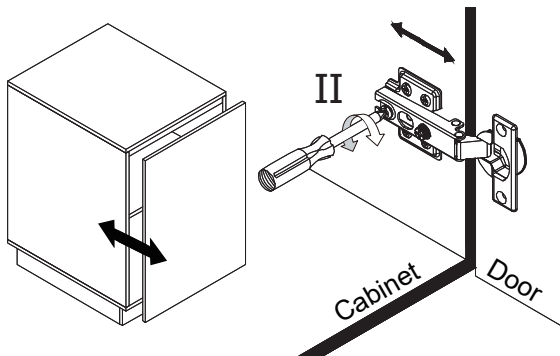


# ASSEMBLY STEPS



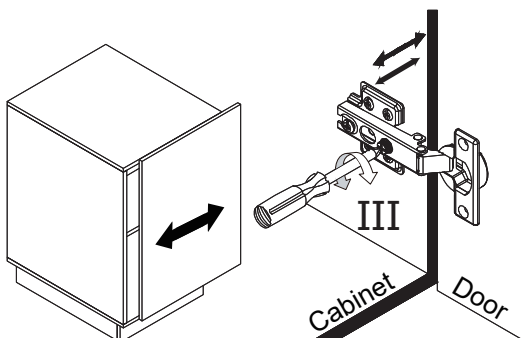
## To adjust the vertical height.

Loosen the four screws "I" on both hinges. Two of them are usually in slotted holes which allows you to adjust up or down by a few mm. Then tighten back up.



## To adjust depth.

Loosen screw "II" and adjust door, if the door cannot be adjusted, please loosen screw "III", then try again. Tighten screw "II" and "III"



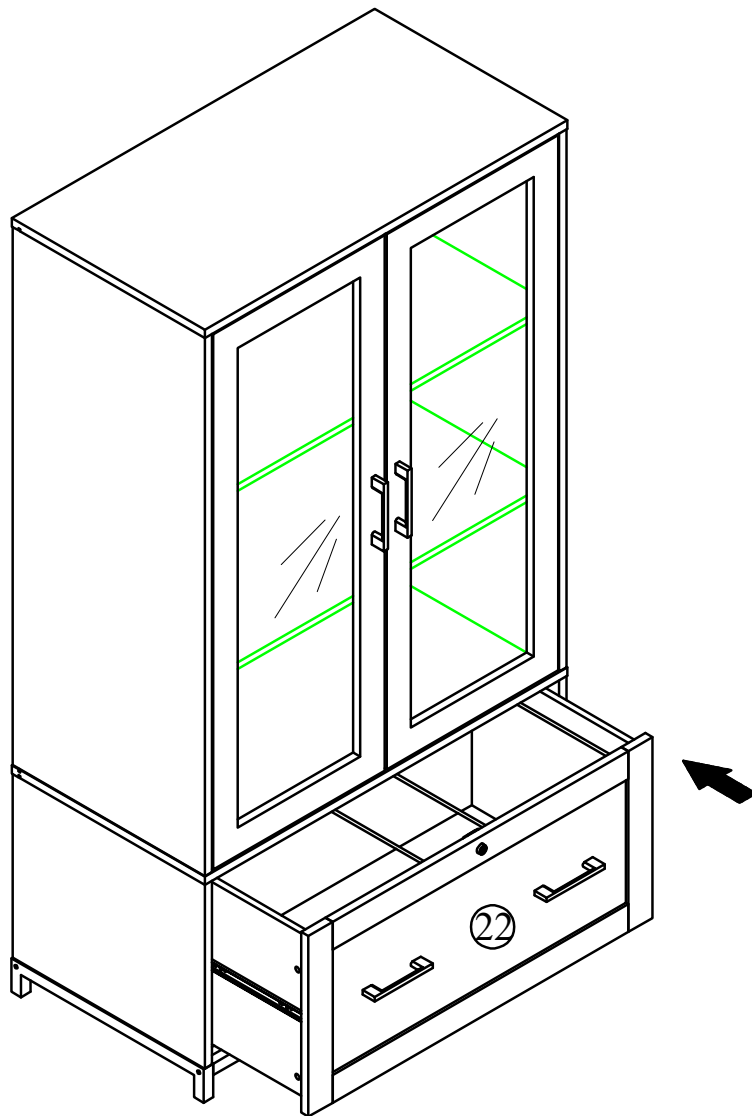
## To adjust side ways.

Turning the screw "III" on both hinges on each door.

# ASSEMBLY STEPS

## STEP 21

1. Align the drawer slides and push the drawer into the cabinet.



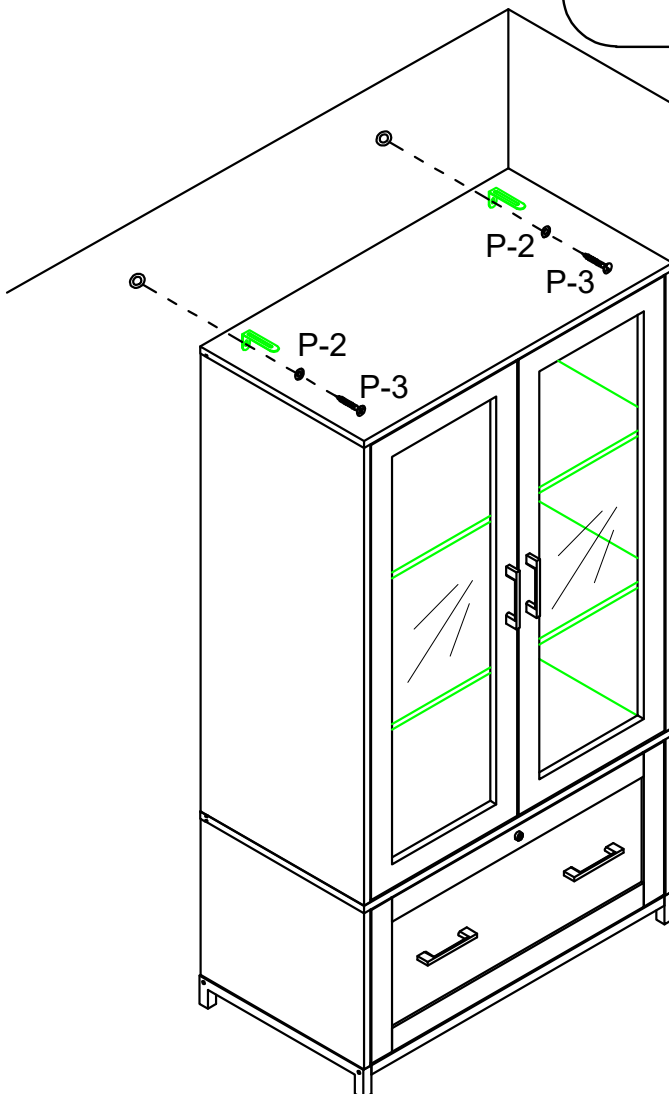
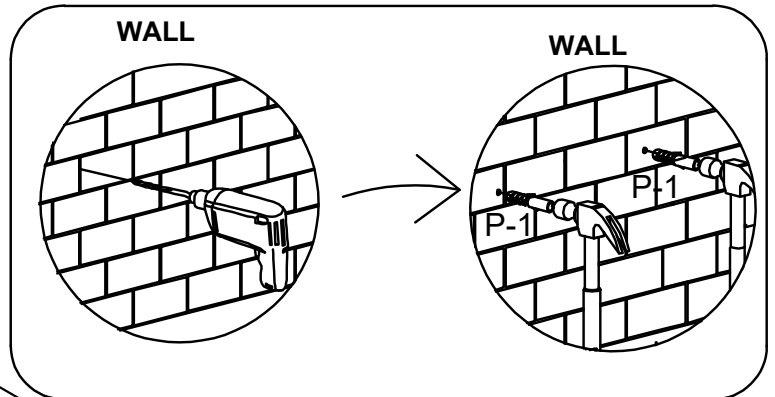
# ASSEMBLY STEPS

P x 2 P-1 P-2 P-3 M4x45mm

## STEP 22

1. Drill two holes in the wall, embed the expansion screw (P-1) and then use screw(P-3) to pass through the washer(P-2) to fix the cabinet on the wall.

\*This step is to ensure the stability of the cabinet and prevent it from tipping over.



## 1. What should I do when I received a defected item?

Please feel free to contact our customer service via the link where you purchased this item with your order ID, pictures of the defective areas to us. We are eager to help you to make it right.

---

## 2. Is it easy to put the screws to the panels?

Yes. As long as you follow the instruction and use the correct screws and put it in correct holes, it is easy to screw it into pre-drilled holes.

---

## 3. What should I do if I have a problem with the drawers not closing flush?

The problem with the drawers not closing flush is usually caused by the assembly of the drawer slides. Here are the solutions as below:

- 1) Please check whether the slide rail is damaged, for example, the ball of the slide rail has fallen out, if so, please ask us for replacements of the drawer slides;
- 2) Refer to the assembly manual to check if the holes for the slide rail are assembled correctly. If there is no problem with the assembly, but the slide rail is stuck in the process of pushing in, please release the entire drawer as you did the first time you removed the drawer slides, and then push it back in again.

Any query, please contact us directly.

# Supplementary Instructions for Safe Use

## English

### WARNING



Children have died from furniture tipover. To reduce the risk of furniture tipover:

- ALWAYS install tipover restraint provided.
- NEVER put a TV on this product.
- NEVER allow children to stand, climb or hang on drawers, doors, or shelves.
- NEVER open more than one drawer at a time.
- Place heaviest items in the lowest drawers.
- Do not defeat or remove the drawer interlock system.

This is a permanent label.

Do not remove!

## French

### ATTENTION



Des enfants sont morts du basculement des meubles. Pour réduire le risque de basculement des meubles:

- TOUJOURS installer la retenue de basculement fournie.
- NE JAMAIS mettre de téléviseur sur ce produit.
- NE JAMAIS permettre aux enfants de se tenir debout, de grimper, ou de s'accrocher à des tiroirs, des portes ou des étagères.
- N'ouvrez JAMAIS plus d'un tiroir à la fois.
- Placez les objets les plus lourds dans les tiroirs les plus bas.
- Ne désactivez pas et ne retirez pas le système de verrouillage du tiroir.

Ceci est une étiquette permanente.

Ne pas enlever!

## German

### WARNUNG



Kinder sind an einem Möbelkipp gestorben. So verringern Sie das Risiko eines Umkippen von Möbeln:

- Installieren Sie IMMER die mitgelieferte Kipprückhaltevorrichtung.
- Stellen Sie NIEMALS einen Fernseher an dieses Produkt.
- Lassen Sie Kinder NIEMALS an Schubladen, Türen oder Regalen stehen klettern oder hängen.
- Öffnen Sie NIEMALS mehr als eine Schublade gleichzeitig.
- Legen Sie schwerste Gegenstände in die untersten Schubladen.
- Besiegen oder entfernen Sie das Schubladenverriegelungssystem nicht.

Dies ist ein dauerhaftes Etikett.

Nicht entfernen!