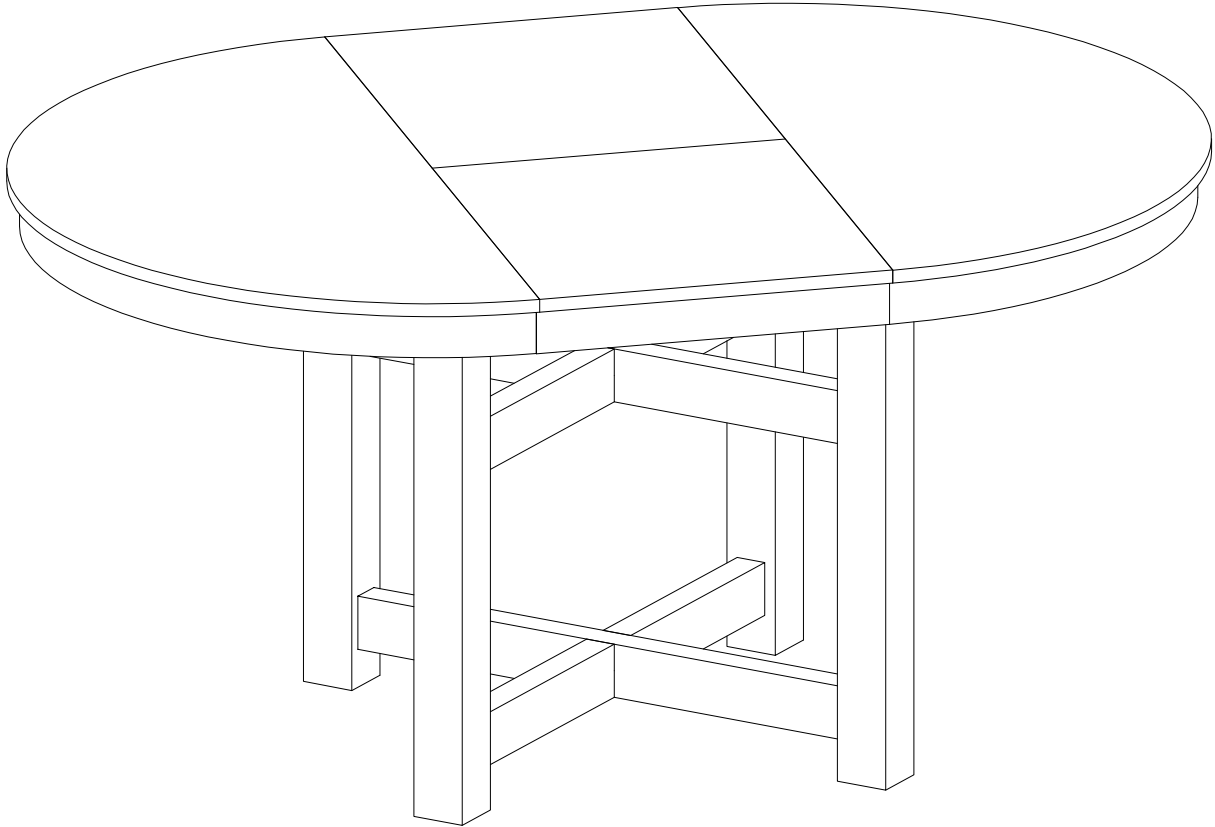


# OWNER MANUAL

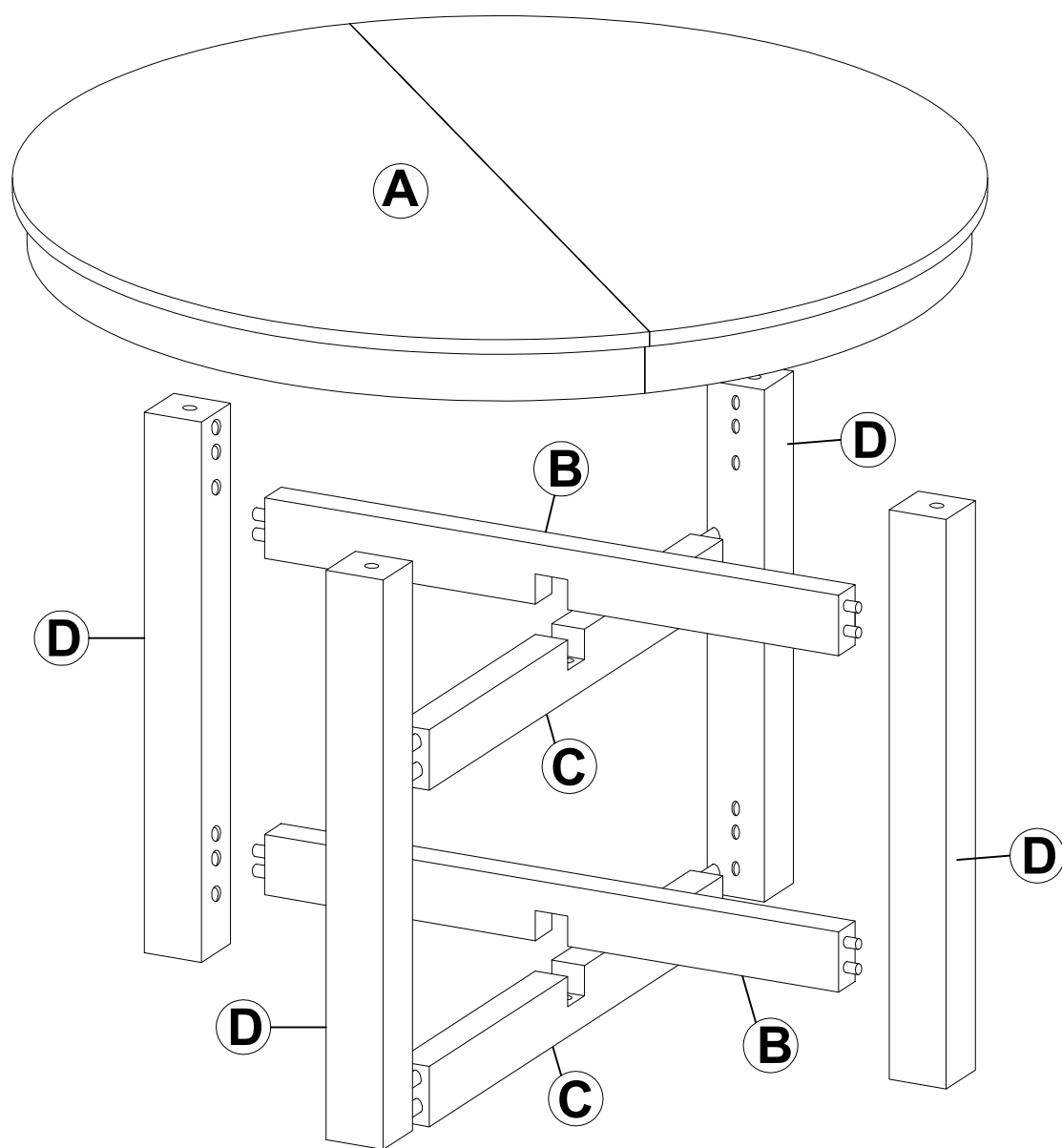


Thank you for purchasing the Dining Table.

Please read the instructions and warnings carefully before use, to ensure safe and satisfactory operation of this product. We are committed to making great products possible. From our in-house Design Team, to our Buyers, we work together to bring great designs to life. Our expert Product Technologists work collaboratively with our buyers and suppliers to assure the legality, safety and quality of the product we sell. We are all committed to designing and developing products to the highest industry standards. We hope you are happy with your product and welcome any feedback or comments you may have.

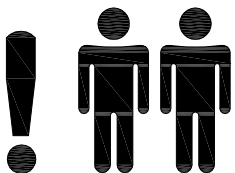
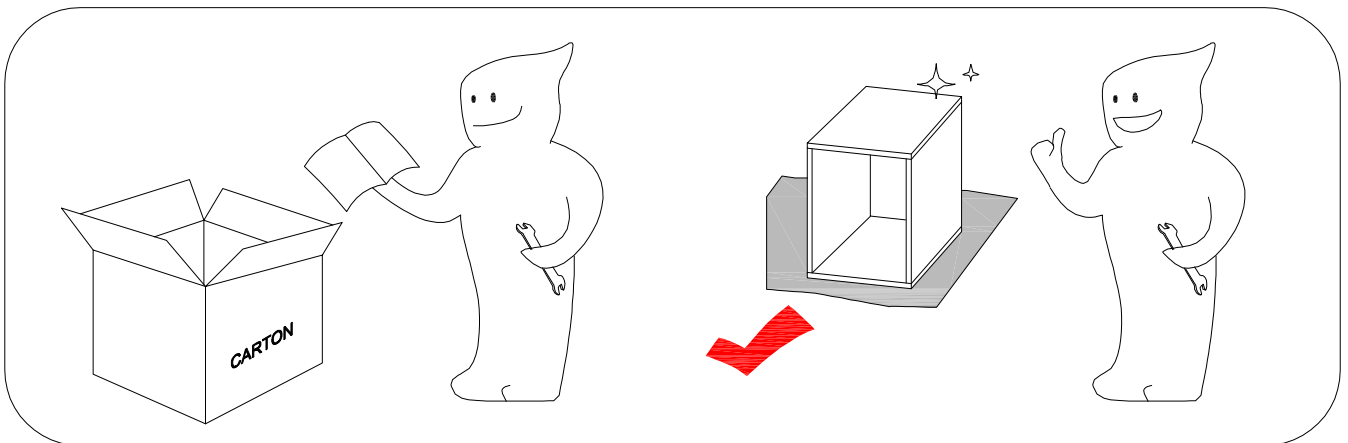
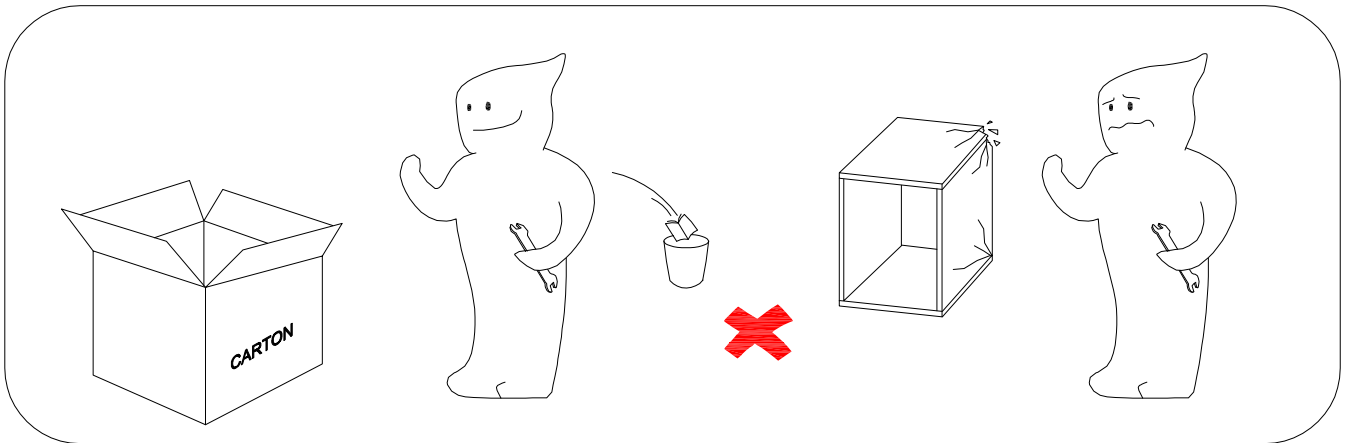
# EXPLOSIVE VIEW

## Dining Table

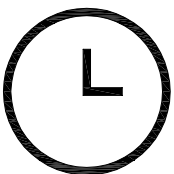


# ! IMPORTANT

Please follow the instruction manuals and use a pad to protect the product during your assembly.

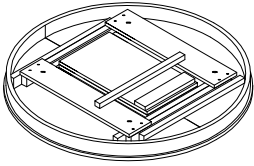
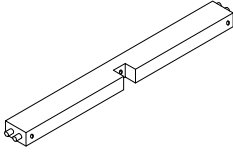
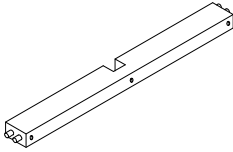
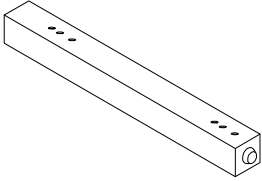


Recommend 2 adults for quicker assembly.

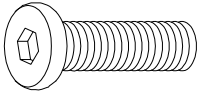
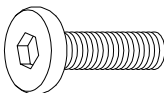
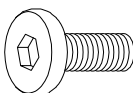
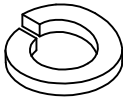
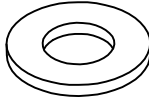
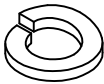
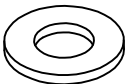
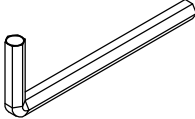
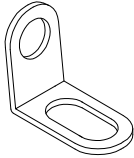


Take 2 adults about 30 minutes to finish assembly.

## PARTS LIST

<b>A</b> x 1  Table Top	<b>B</b> x 2  Connecting Rod-B	<b>C</b> x 2  Connecting Rod-C
<b>D</b> x 4  Leg		





## HARDWARE LIST

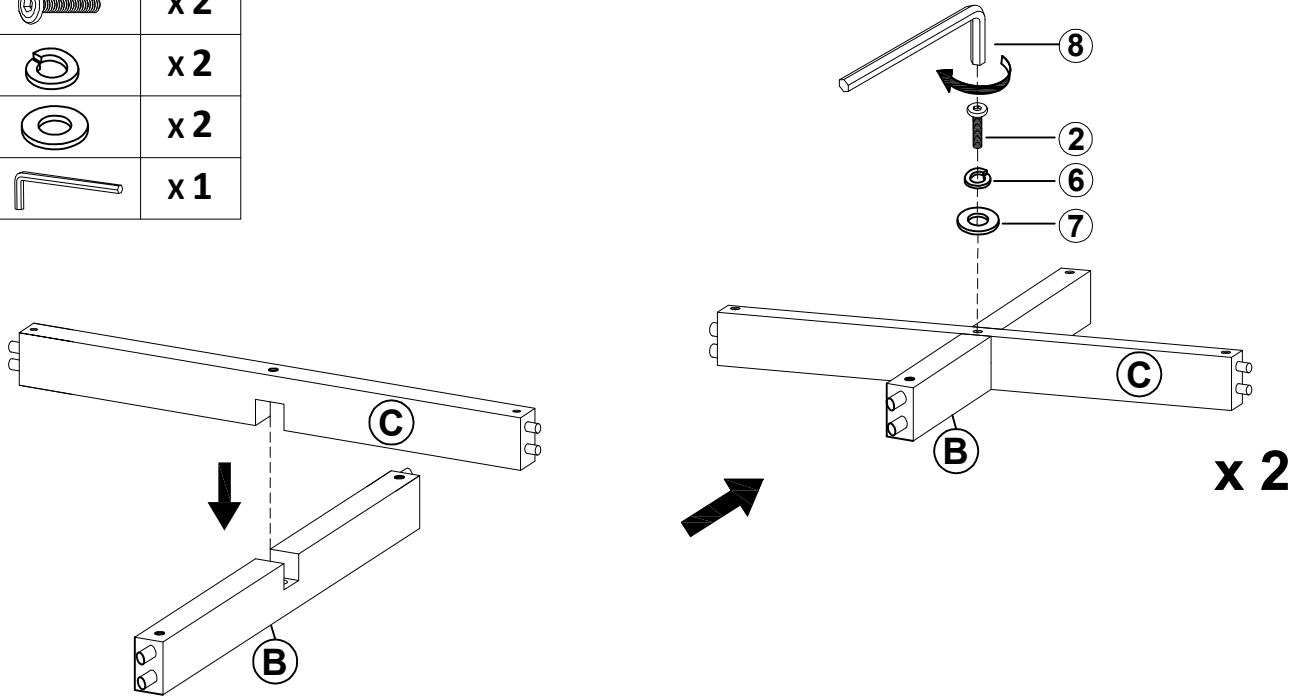
<b>1</b> x 4  Bolt $\text{\O} 5/16'' * 1-1/2''\text{L}$	<b>2</b> x 2  Bolt $\text{\O} 1/4'' * 1-1/2''\text{L}$	<b>3</b> x 16  Bolt $\text{\O} 1/4'' * 3/4''\text{L}$
<b>4</b> x 4  Spring Washer 5/16	<b>5</b> x 4  Flat Washer 5/16	<b>6</b> x 18  Spring Washer 1/4
<b>7</b> x 18  Flat Washer 1/4	<b>8</b> x 1  Allen Wrench 4#	<b>9</b> x 8  L Connector

Be sure to check all packing material carefully for small parts, which may have come loose inside the carton during shipment.

# ASSEMBLY INSTRUCTION

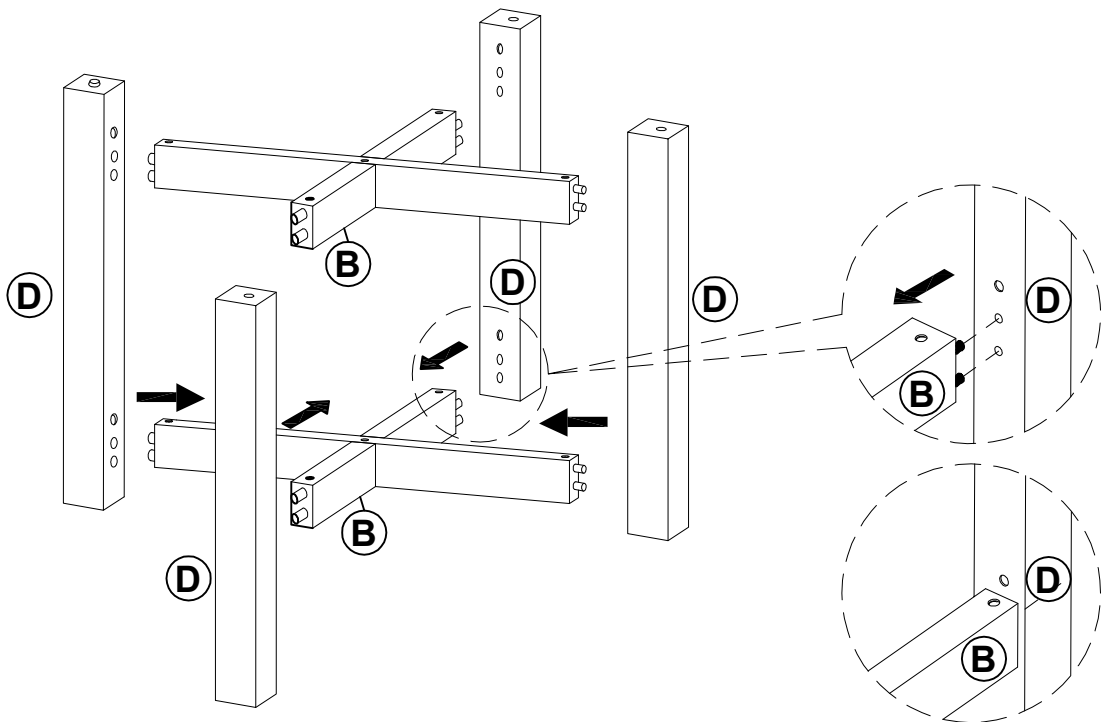
## STEP 1

2		x 2
6		x 2
7		x 2
8		x 1



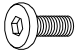



Attach the Connecting Rod (C) to Connecting Rod (B) by align the slot .  
then use bolt (2) and spring washer (6) and flat washer (7) and Allen Wrench (8) to tighten, As shown.

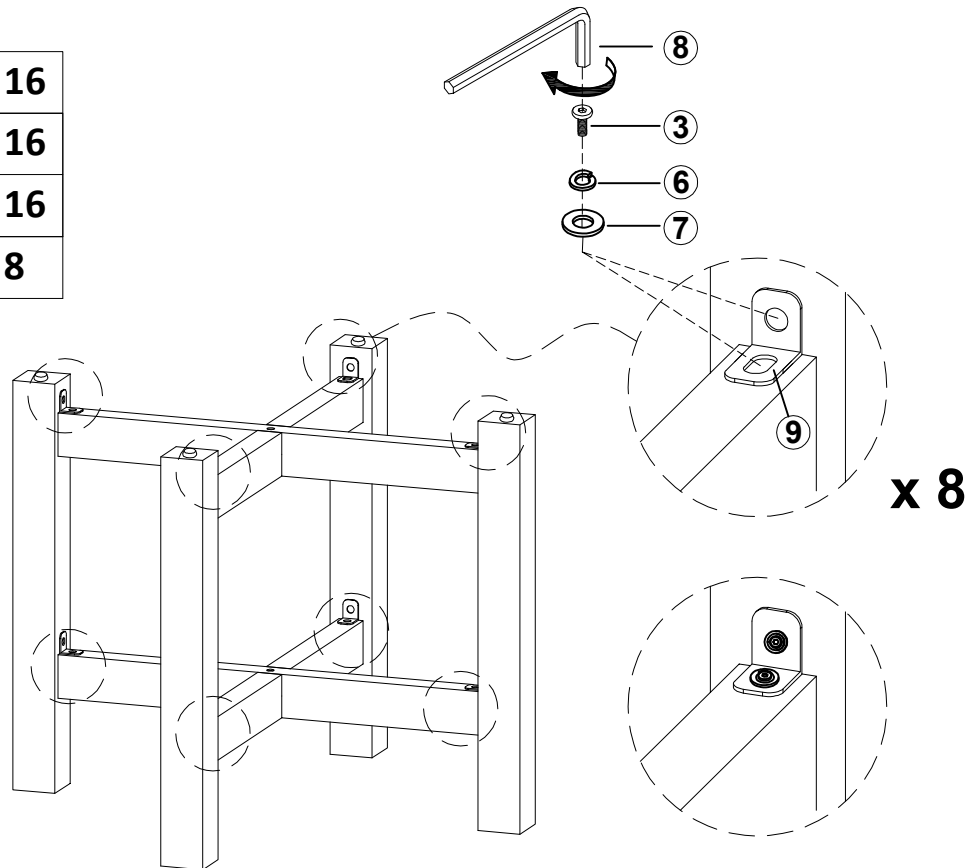
## STEP 2



Insert the wooden dowels at both ends of bottom connection (B/C) into the correct holes of the Leg (D).

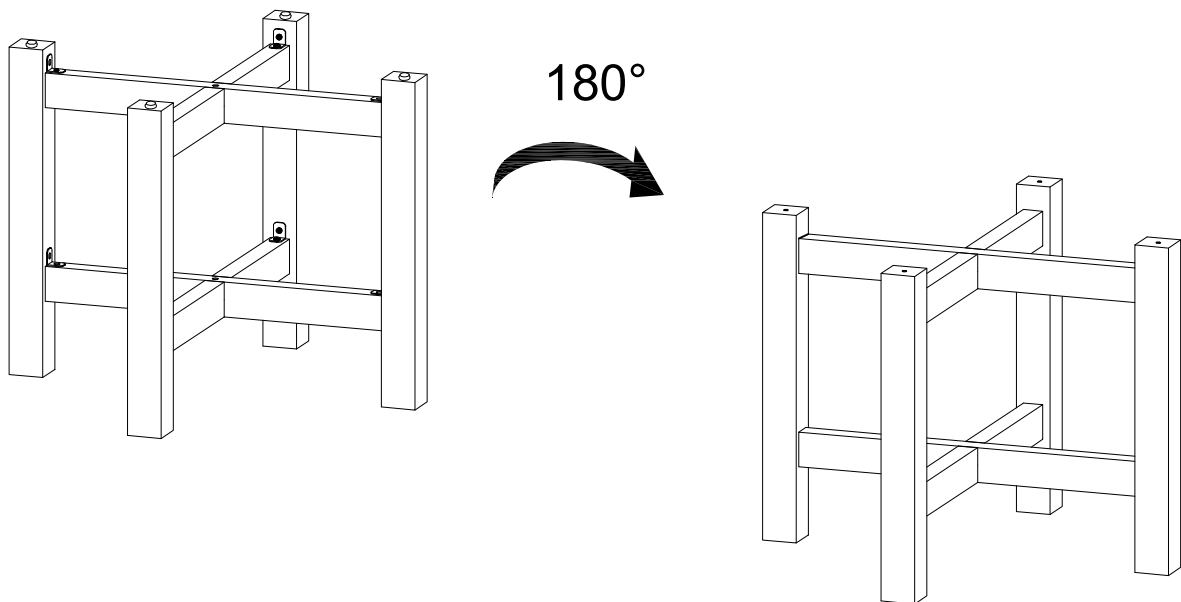
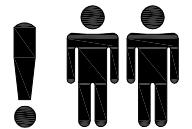
### STEP 3

3		x 16
6		x 16
7		x 16
9		x 8



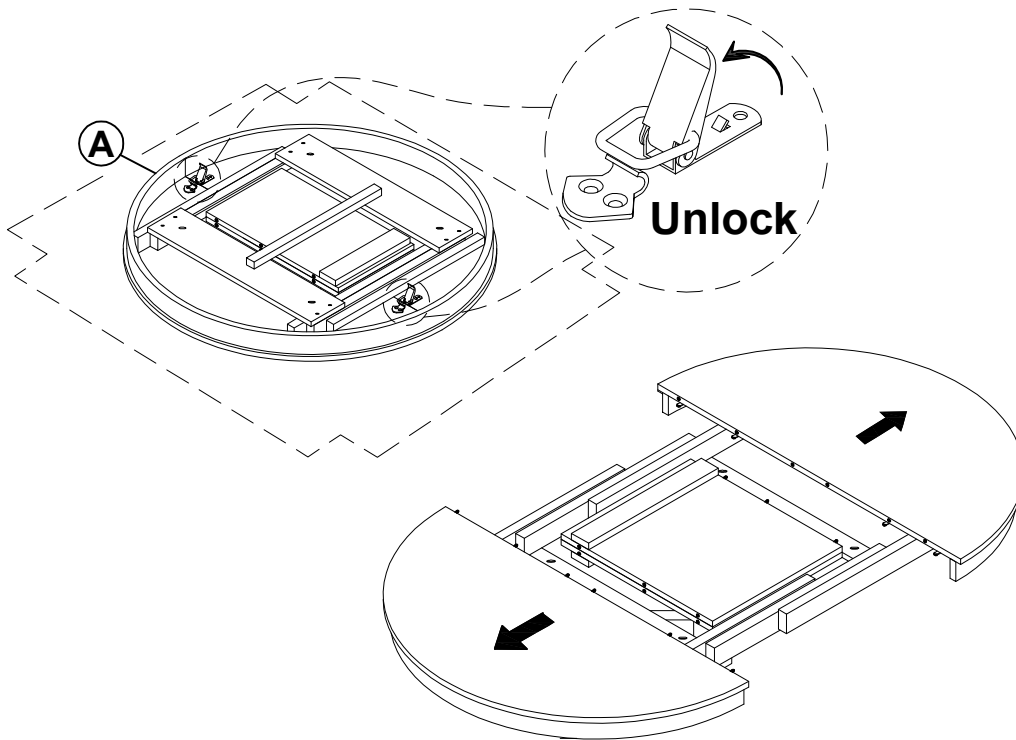
Use Bolt (3), Spring Washer (4) and Flat Washer (5), L Connector (8), tighten Bolt (3) by Allen Wrench (8) as shown.

### STEP 4



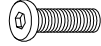


Flipping 180°.

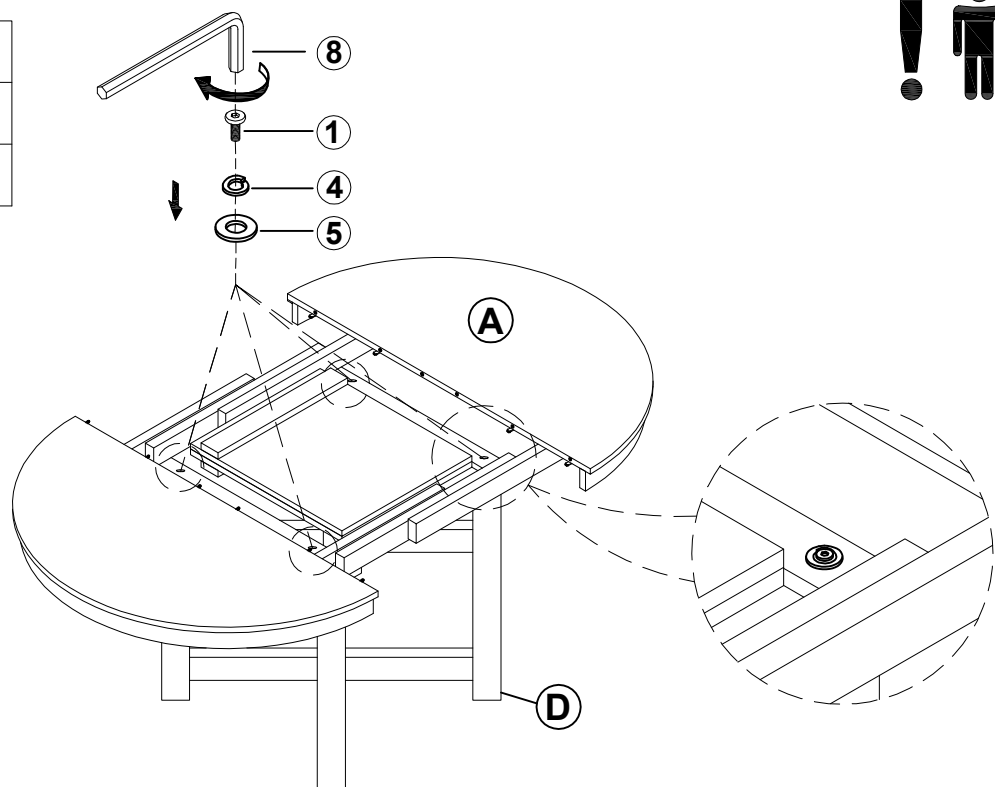
## STEP 5



Open the buckle at the bottom of the desktop, pull the side panels outward.

## STEP 6

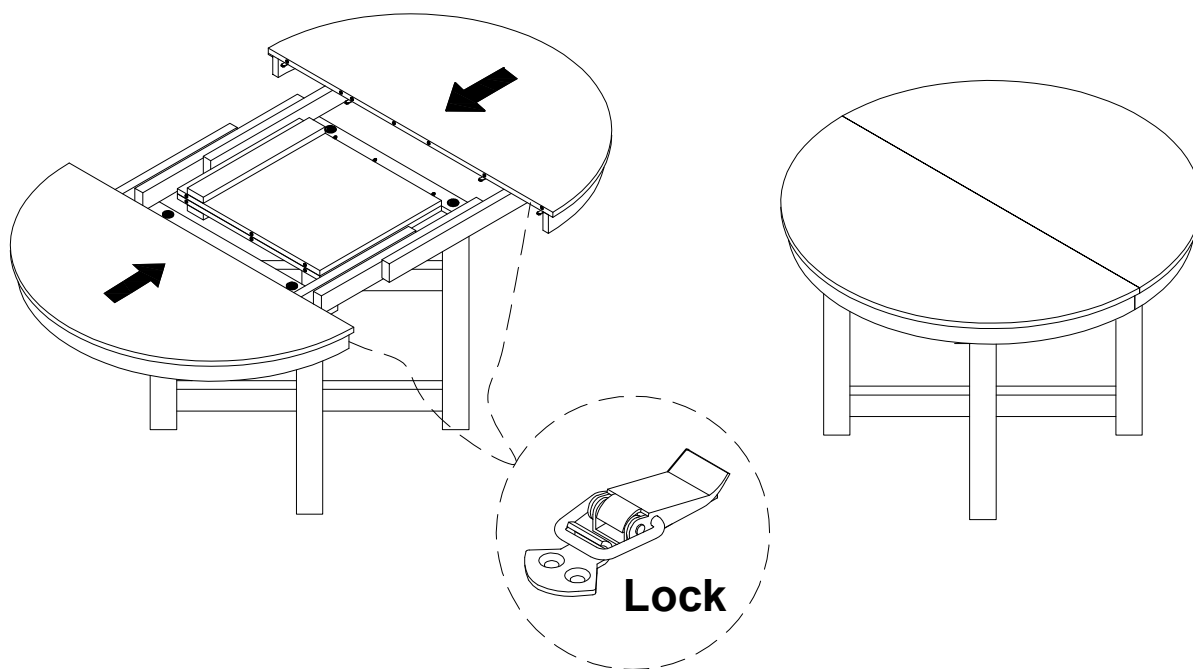
1		x 4
4		x 4
5		x 4



Attach the Table Top (A) on the unit pre-assembled on step 4, and then align the foot frame holes with the holes on the connecting plate below the Table Top (A) and use the hardware (1 and 4 and 5) to fix the panel (A) and the foot frame.

---

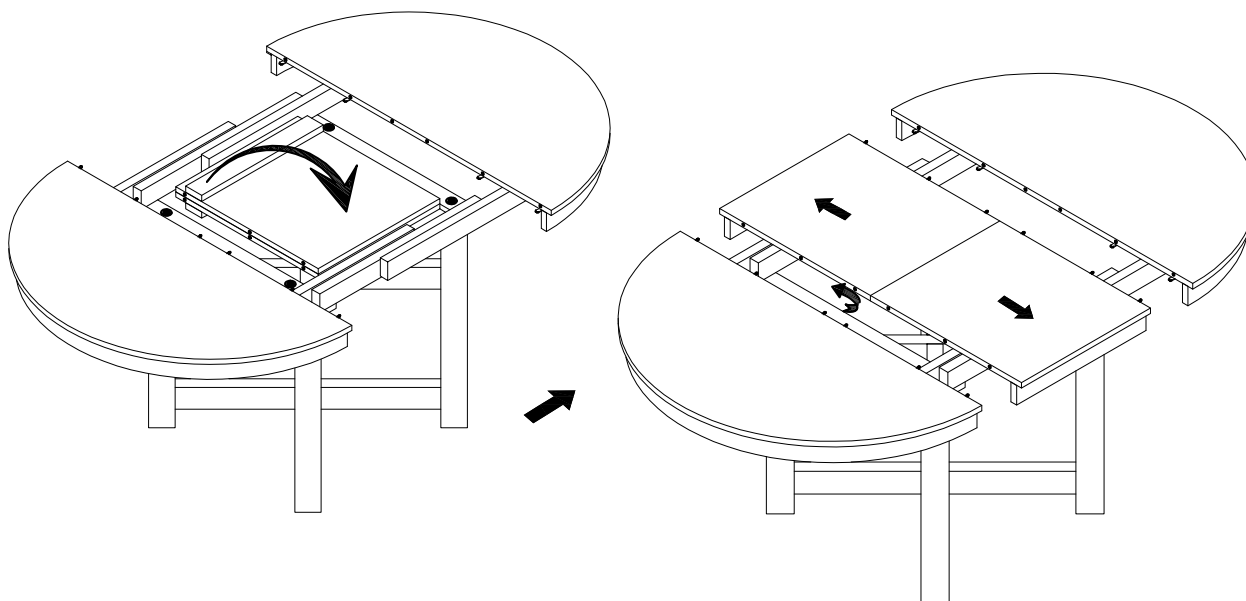
## STEP 7



Close the table (A), lock below, now your round table is ready for use .

---

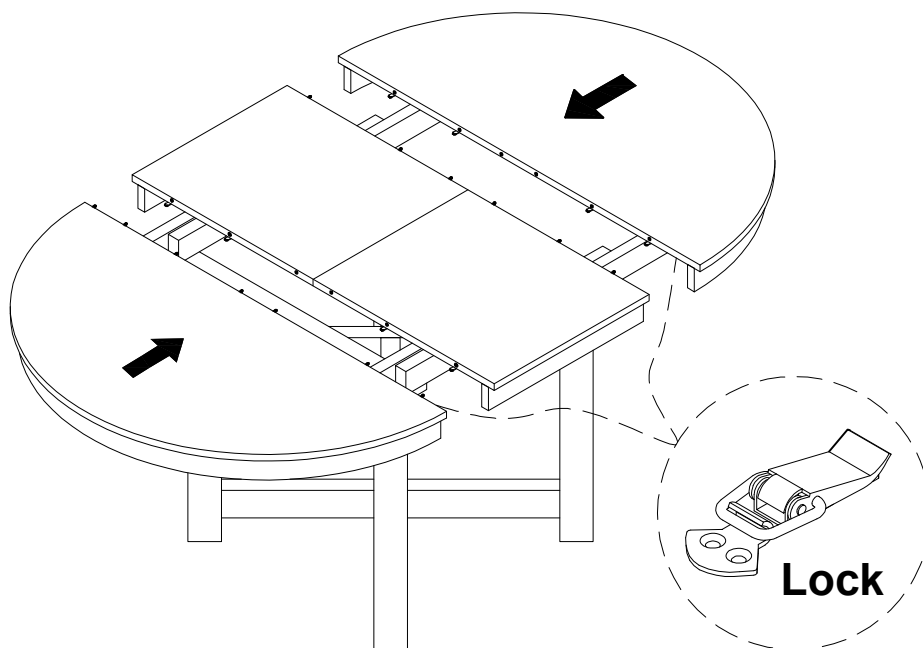
## STEP 8



Pull out the active folding small top panel to unfold.

---

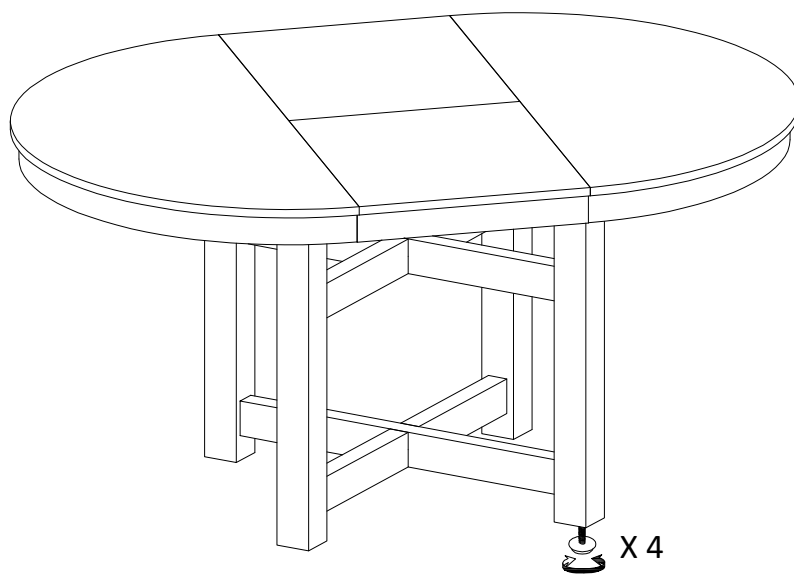
## STEP 9



Close the table (A), lock below, now your table is ready for use .

---

## STEP 10



**Note: Adjust the leg levelers as needed.**

## MAINTENANCE AND WARNING

- Keep furniture away from heat.
- Do not clean furniture with harsh cleansers or polish. Do not use detergents, Solvents, abrasives, spray packs or leather cleaner. Use non-color mild soap with warm water clean spills(Mix 1:10 soap to water)
- Do not place furniture under direct sunlight, material will possibly fade over time.
- Do not use on site dry Cleaning machine.
- Children should not climb or jump on the furniture.
- Do not write on furniture without a padded barrier to protect the surface.
- Not for commercial use, For residential use only.
- The maximum load is 400 LBS.

## WARRANTY

We strive to offer high quality products, and we also try our best to satisfy each and every customer that orders from us with product or service as needed. We provide 30 days warranty starting from the time you receive the item. Each customer must provide a record of their order such as the order number, or item receipt for any items that are out of the warranty period you may also still receive replacement parts by purchasing them with our company if they are available.

Are you having difficulty with assembly? Missing parts? Please send email with your order No. For return, please check the return policy with the retailer or market place you bought from. Appreciate your purchasing from us. Pop up your life by our furniture piece!