

# QUEEN BED ASSEMBLY INSTRUCTION

Thank you for purchasing this quality product. Be sure to check all packing material carefully for small parts which may have come loose inside the carton during shipment. Separate, identify and count all parts and hardware. Compare with the parts list to be sure all parts are present.

**IMPORTANT : PLEASE READ INSTRUCTION BEFORE STARTING THE ASSEMBLY.**

**"DO NOT TIGHTEN SCREWS UNTIL COMPLETELY ASSEMBLED"**

**"DO NOT OVERTIGHT ANY HARDWARE"**

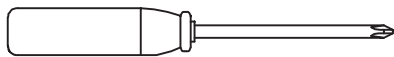
**WARNING : SMALL PARTS AND HARDWARE NOT FOR CHILDREN UNDER 3 YEARS. ADULT ASSEMBLY REQUIRED.**

## TABLE OF CONTENTS

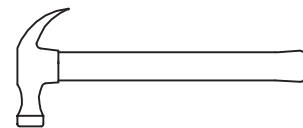
HARDWARES LIST	PAGE 2
PARTS LIST	PAGE 3 - 4
PARTS' LOCATION	PAGE 5
ASSEMBLY STEPS	PAGE 6 - 9
ASSEMBLY COMPLETED	PAGE 9

## ASSEMBLY TOOLS REQUIRED

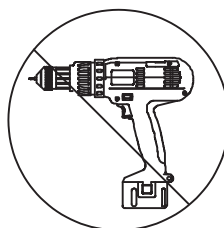
### 1. Screwdriver (not provide)



### 2. Hammer (not provide)

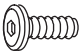
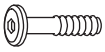




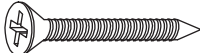





Skip the power drill this time.

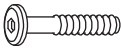





# QUEEN BED ASSEMBLY INSTRUCTION

## BOX 1 HARDWARES LIST

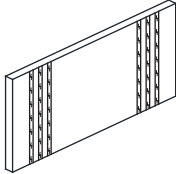
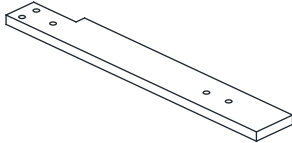
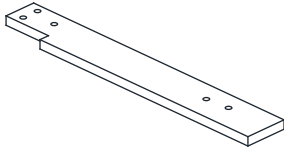
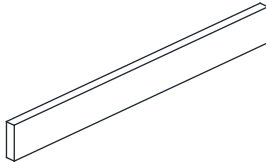
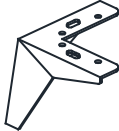
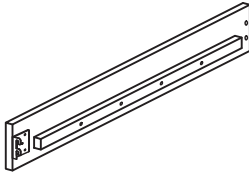
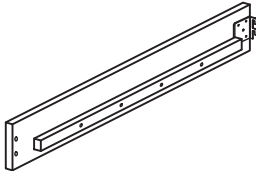

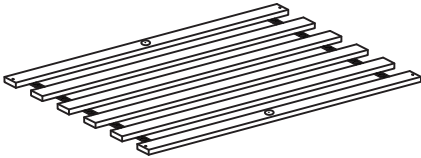
ITEM	DESCRIPTION	DRAWING	QTY
A	JCBC SCREW M8 x 20MM		8 PCS
B	JCBC SCREW M6 x 15MM		6 PCS
C	JCBC SCREW M6 x 25MM		8 PCS
D	JCBC SCREW M6 x 50MM		6 PCS
E	SPRING WASHER M6 x 12MM		14 PCS
F	FLAT WASHER M6 x 19MM		14 PCS
G	CSK C/B SCREW (M4 x 32MM)		8 PCS
H	M5 ALLEN KEY (65MM)		1 PC
I	M4 ALLEN KEY (100MM)		1 PC
J	SUPPORT LEG ADJUSTABLE FEET		4 PCS

## BOX 2 HARDWARES LIST

K	JCBC SCREW M8 x 35MM		20 PCS
L	SPRING WASHER M8 x 13MM		20 PCS
M	FLAT WASHER M8 x 22MM		20 PCS
N	M5 ALLEN KEY (65MM)		1 PC

# QUEEN BED ASSEMBLY INSTRUCTION

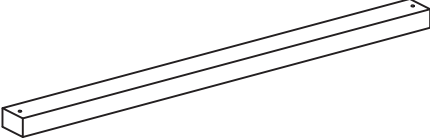

## BOX 1 PARTS LIST

ITEM	DESCRIPTION	DRAWING	QTY
1	HEADBOARD		1 PC
2	HEADBOARD LEG WITH LABEL "L"		1 PC
3	HEADBOARD LEG WITH LABEL "R"		1 PC
6	FOOTBOARD		1 PC
7	FOOTBOARD LEG		2 PCS
8	SIDE RAIL (L/R)		2 PCS
9	SIDE RAIL (L/R)		2 PCS
10	SIDE RAIL LEG		2 PCS
21	SLAT		2 ROLL

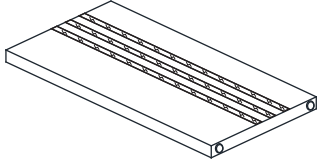
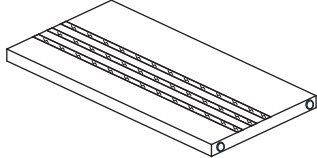
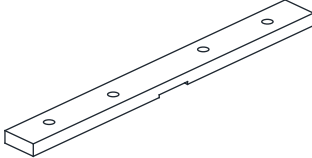
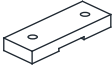
MORE PARTS DETAIL IN NEXT PAGE...

# QUEEN BED ASSEMBLY INSTRUCTION

## BOX 1 PARTS LIST

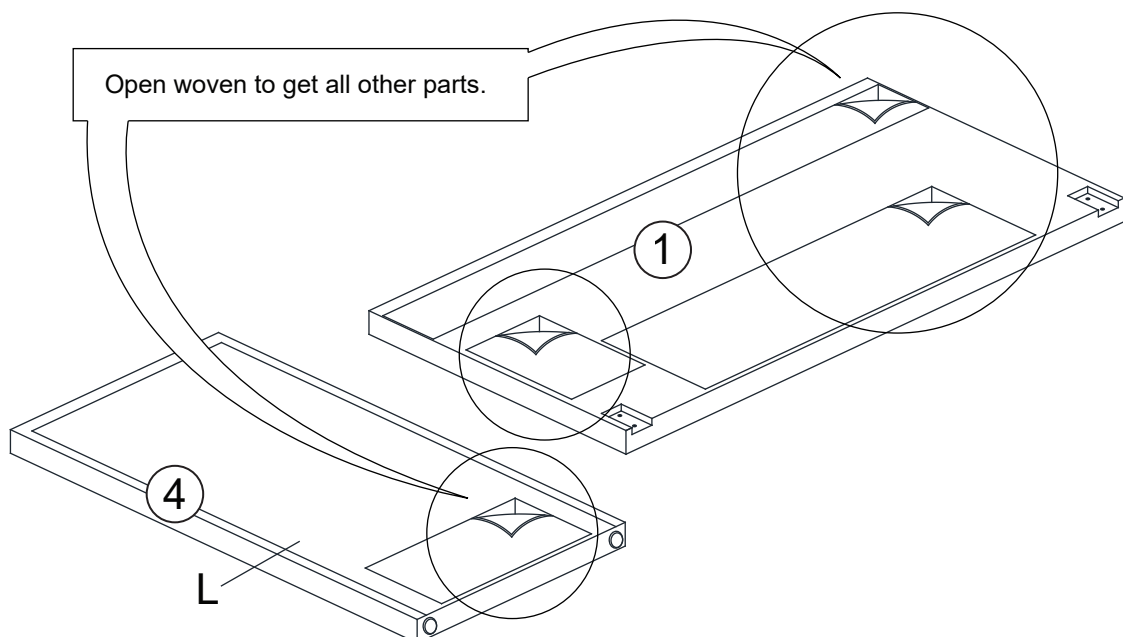
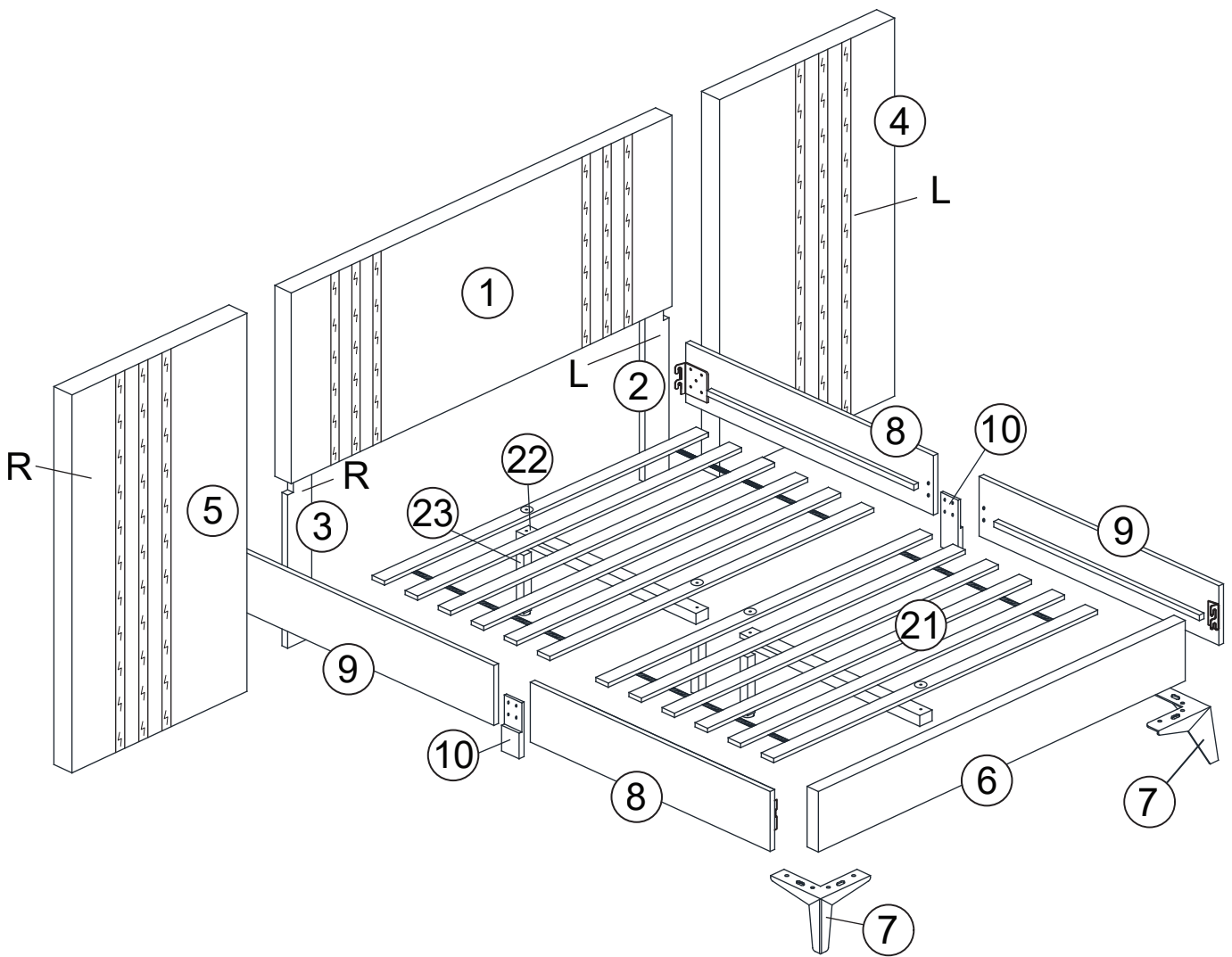
ITEM	DESCRIPTION	DRAWING	QTY
22	CENTER SUPPORT		2 PCS
23	SUPPORT LEG WITH HANGER BOLT		4 PCS

## BOX 2 PARTS LIST

4	WALL PANEL (L)		1 PC
5	WALL PANEL (R)		1 PC
14	SUPPORT RAIL (LONG)		4 PCS
15	SUPPORT RAIL (SHORT)		2 PCS

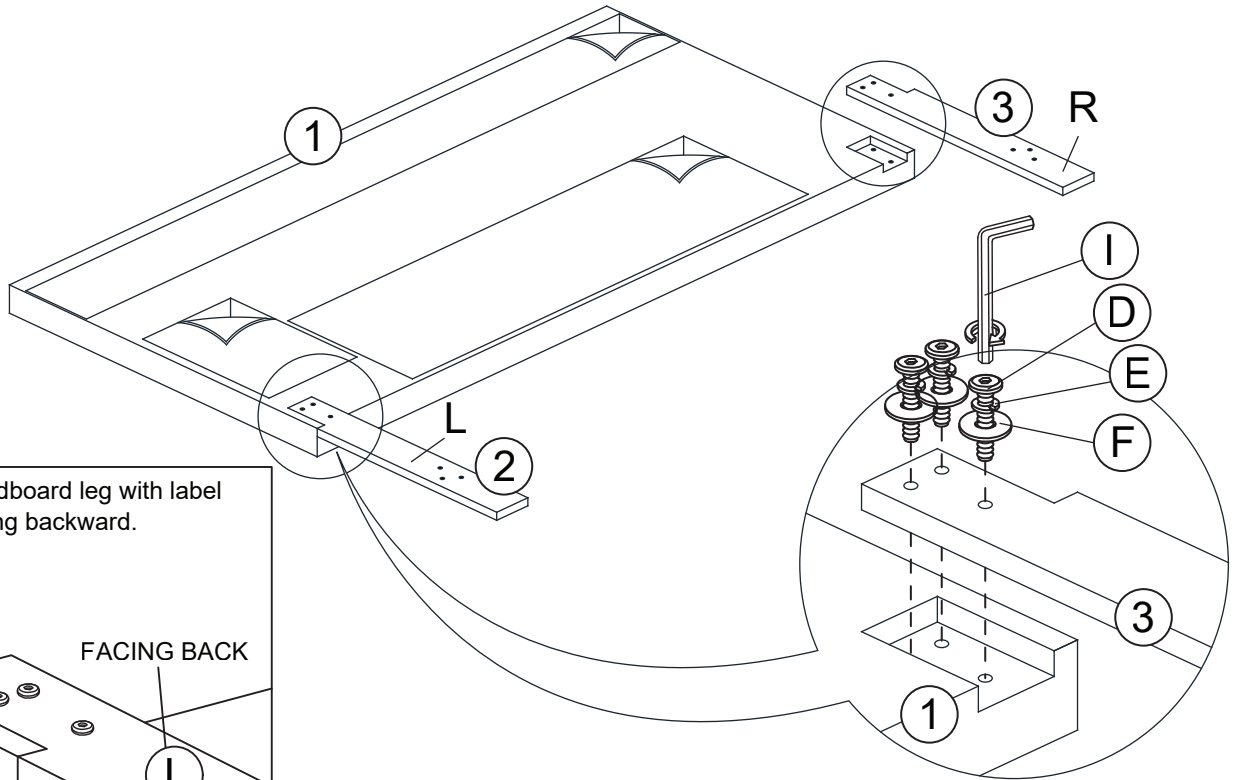
# QUEEN BED ASSEMBLY INSTRUCTION

## PARTS ' LOCATION



# QUEEN BED ASSEMBLY INSTRUCTION

## STEP 1

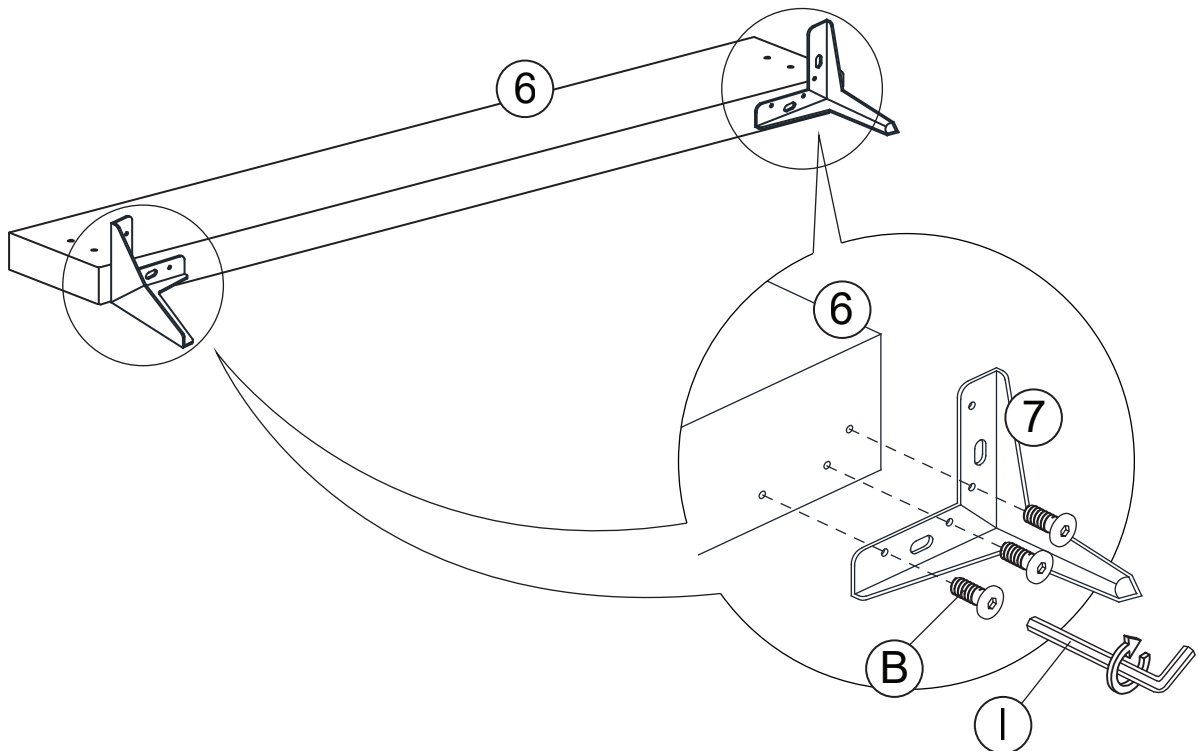


REMARK : Headboard leg with label facing backward.

FACING BACK

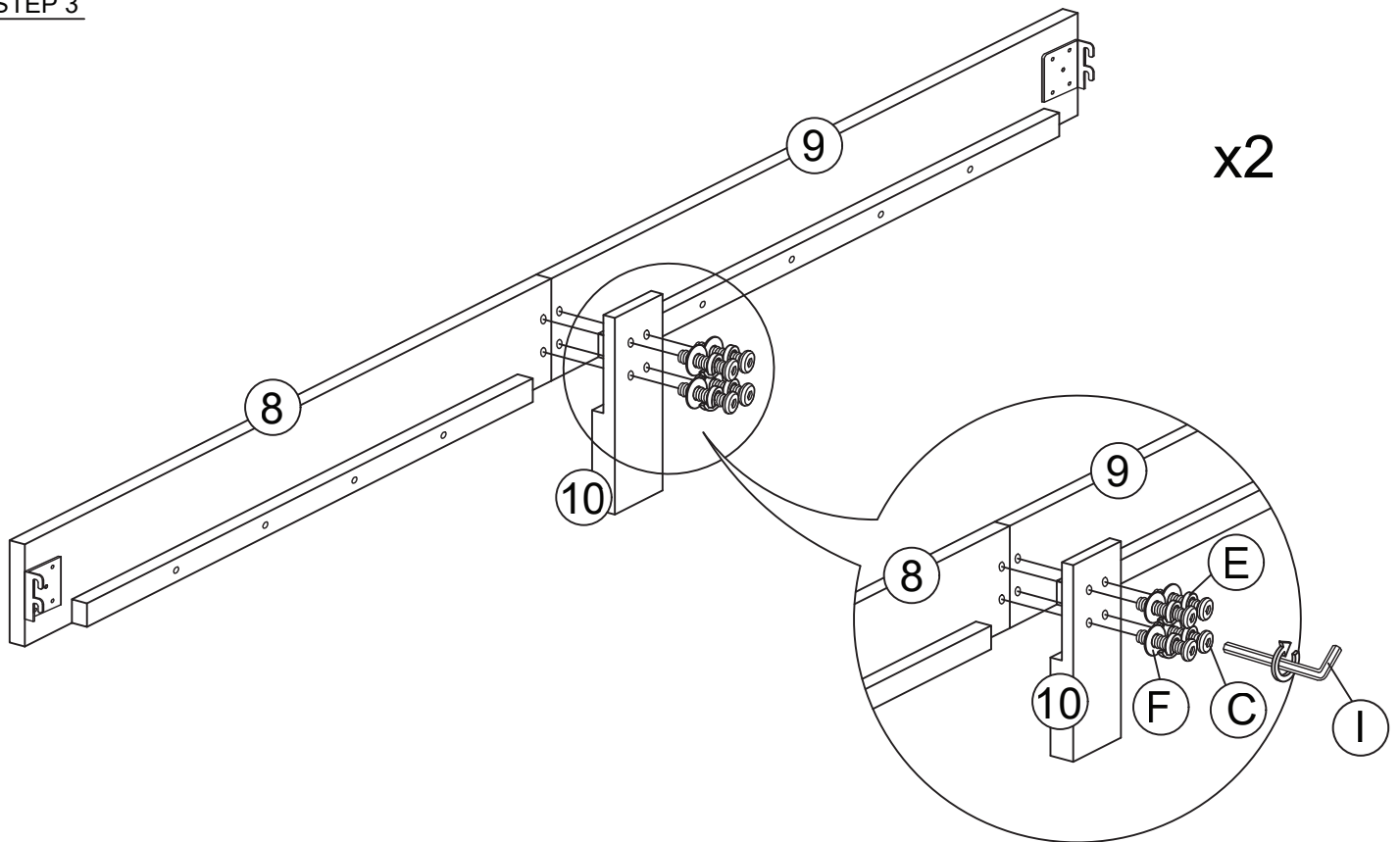
L

## STEP 2

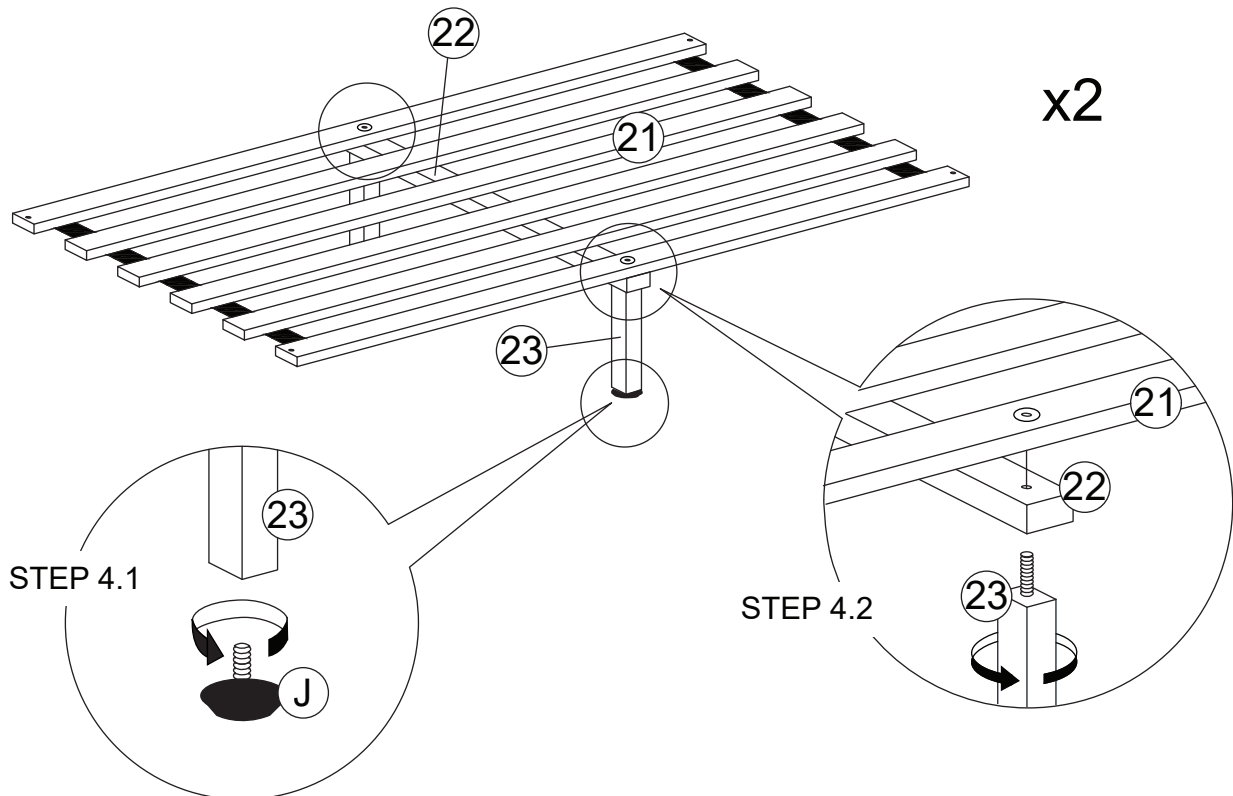


# QUEEN BED ASSEMBLY INSTRUCTION

## STEP 3

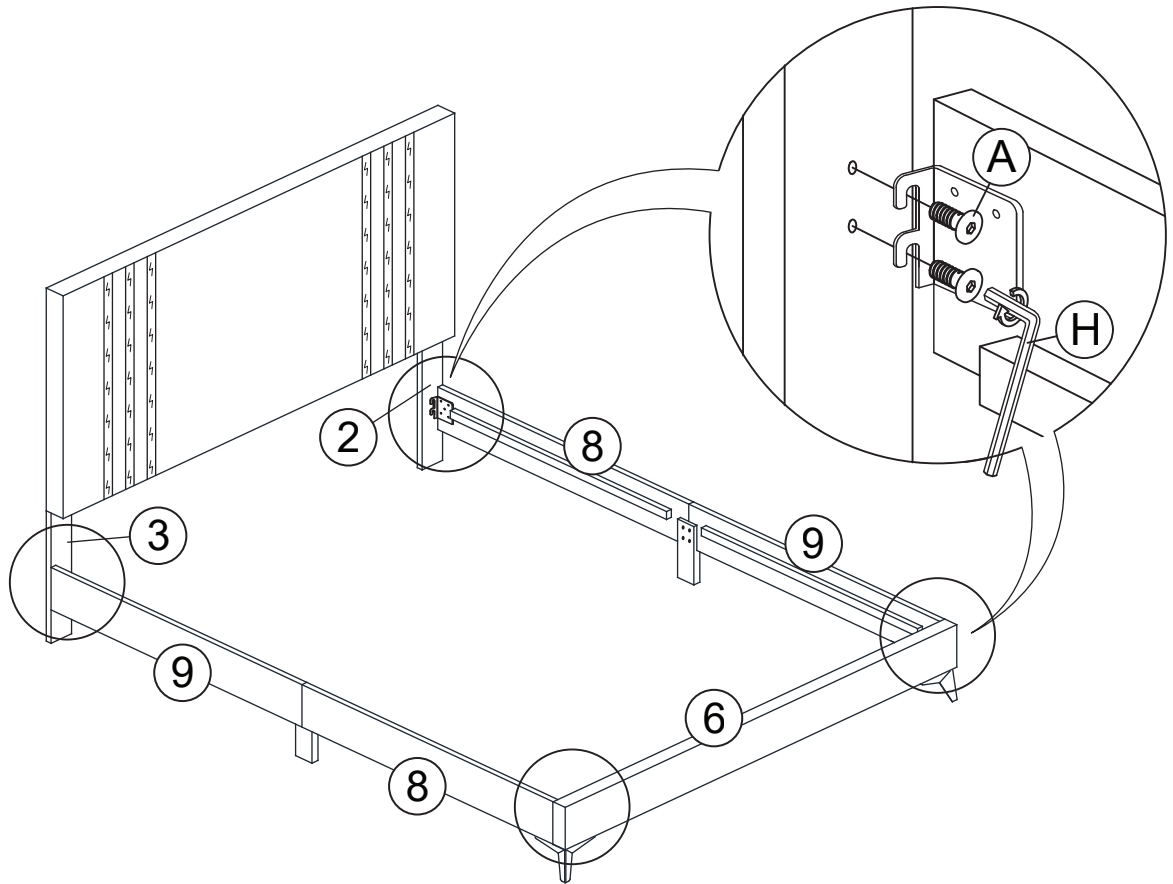


## STEP 4

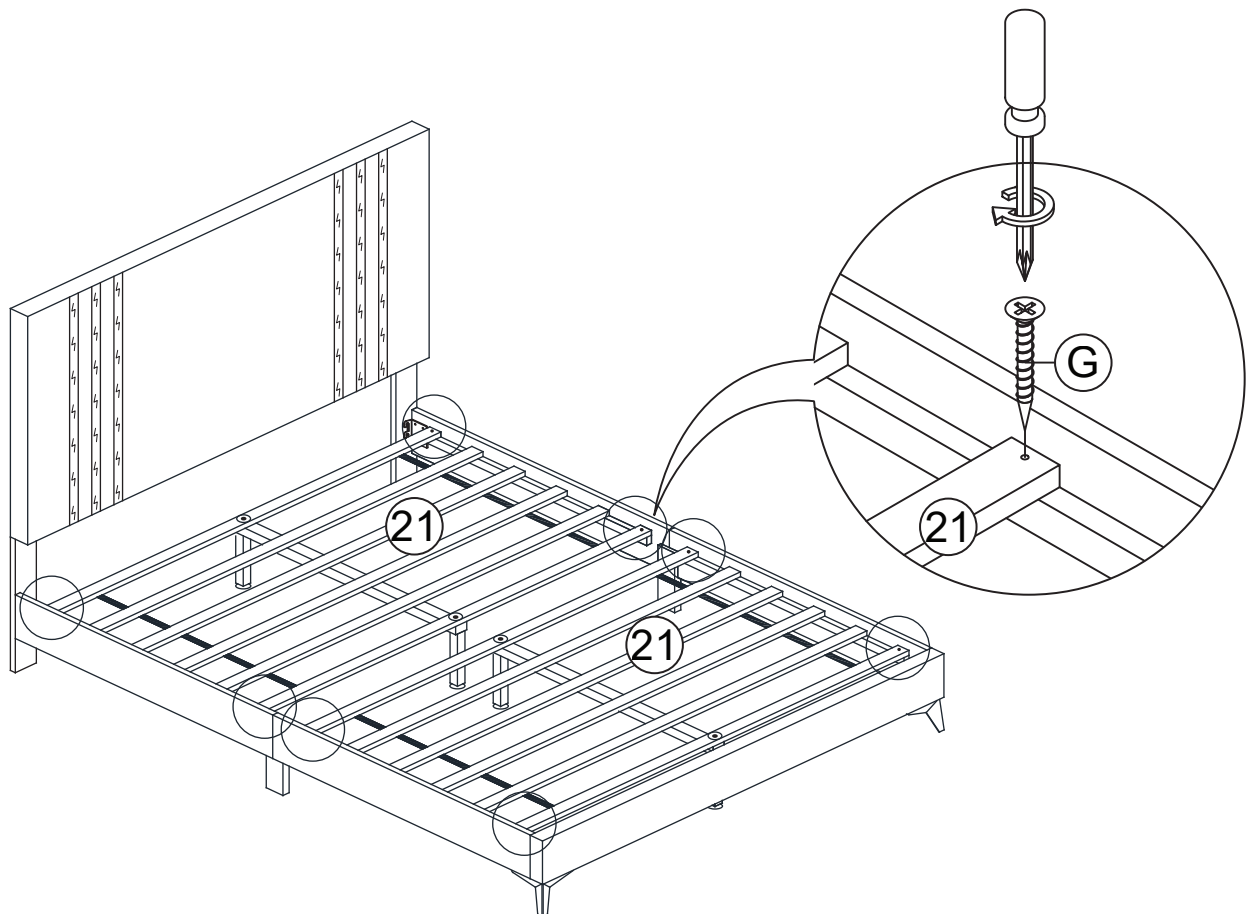


# QUEEN BED ASSEMBLY INSTRUCTION

## STEP 5

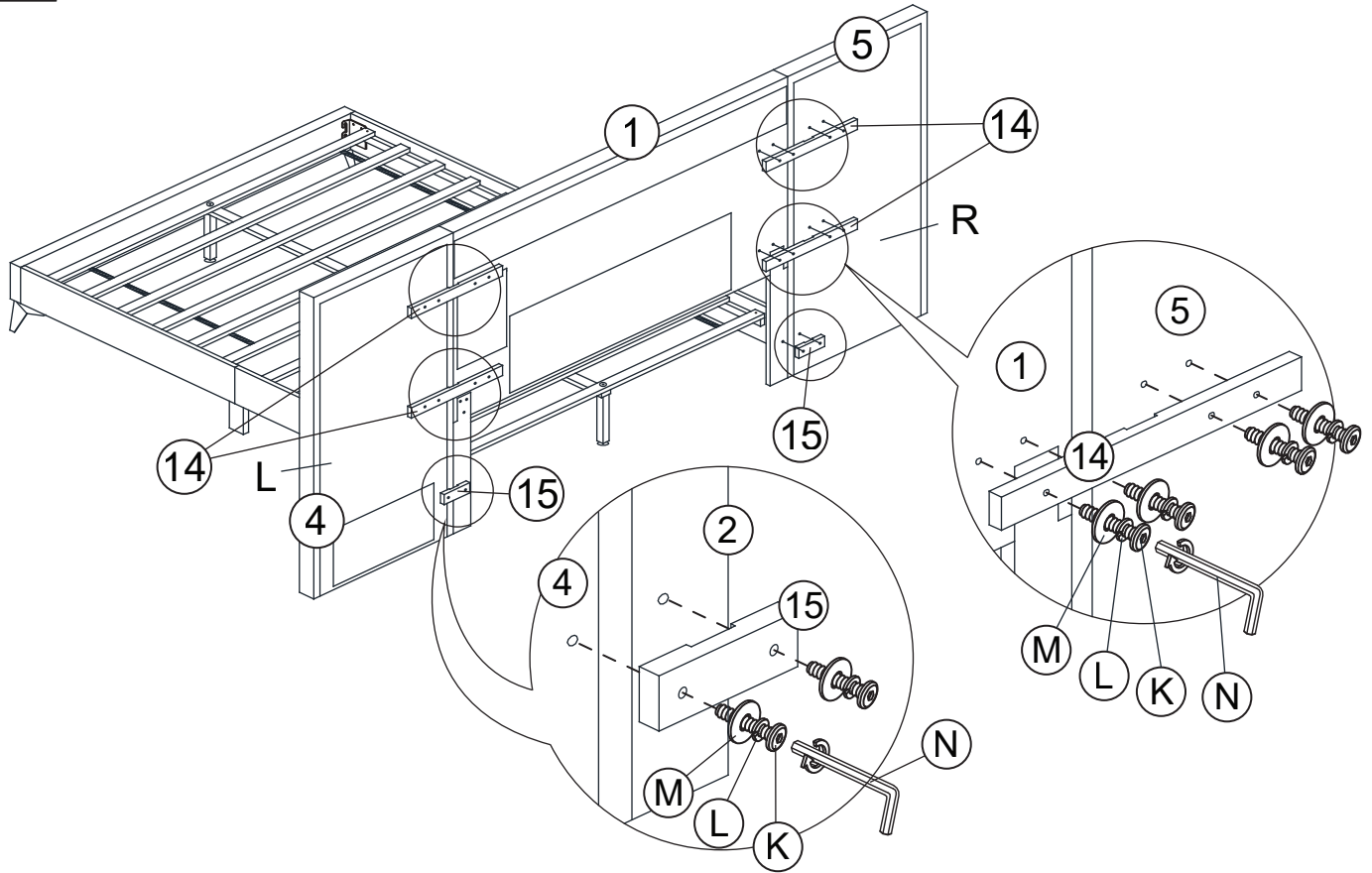


## STEP 6

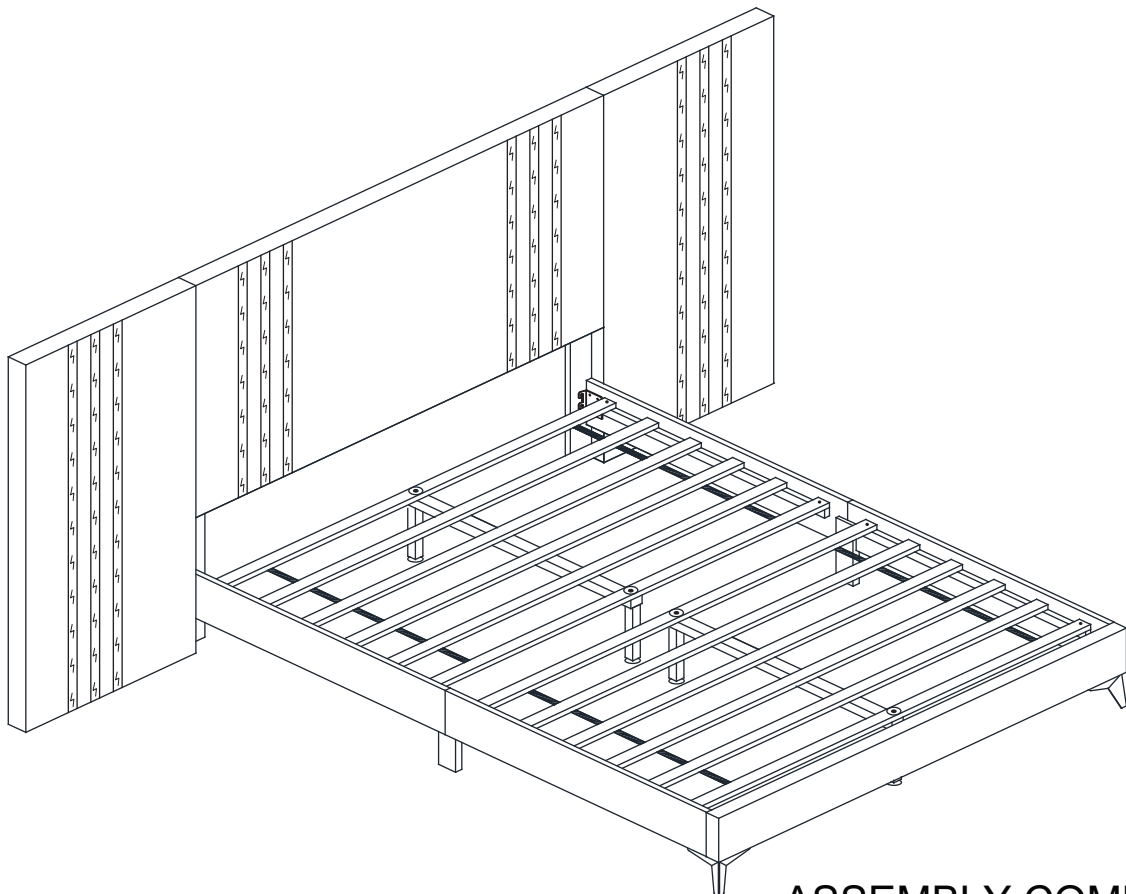


# QUEEN BED ASSEMBLY INSTRUCTION

## STEP 7



## STEP 8



**ASSEMBLY COMPLETED**