
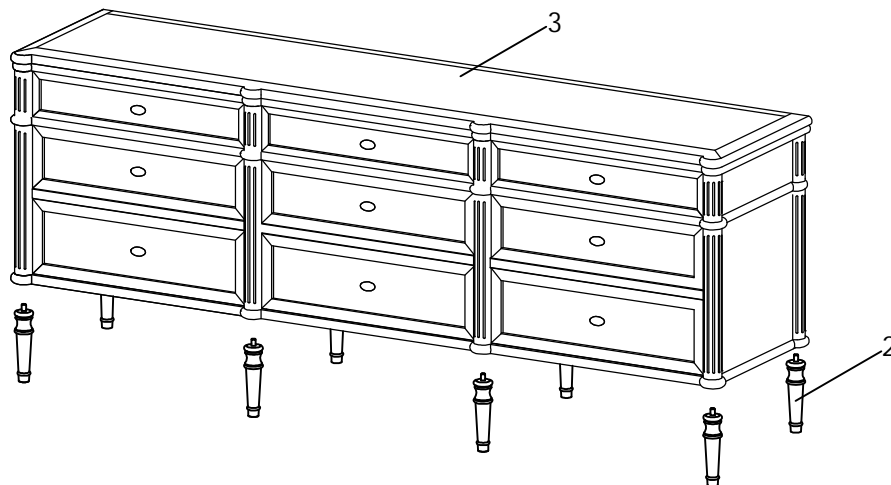
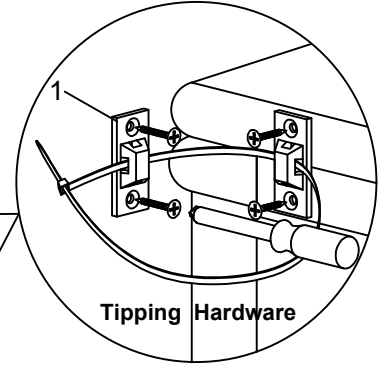
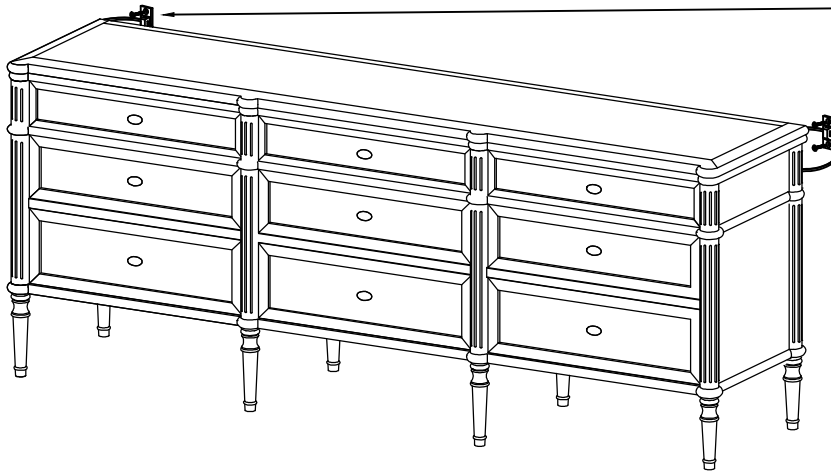


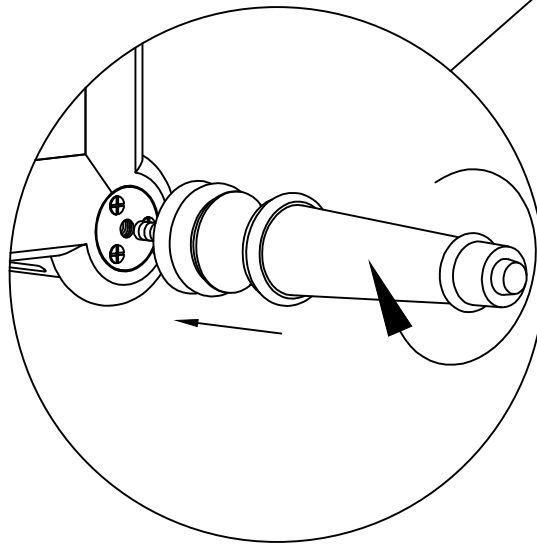
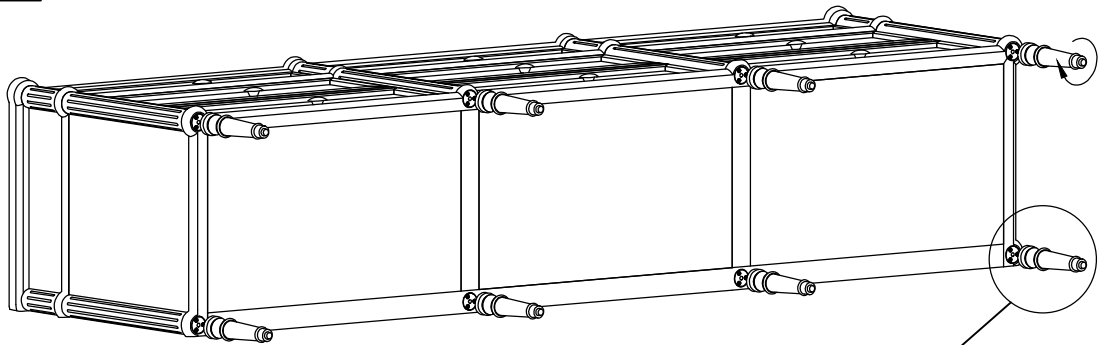
# ASSEMBLY INSTRUCTION FOR MODEL: 9 DRAWER DRESSER

1		Tipping Hardware	2 SET
2		Leg	8 SET

★ **REMARK:** There is a tip restraint kit provided on the back of this product please read the direction thoroughly and install immediately



Step 1



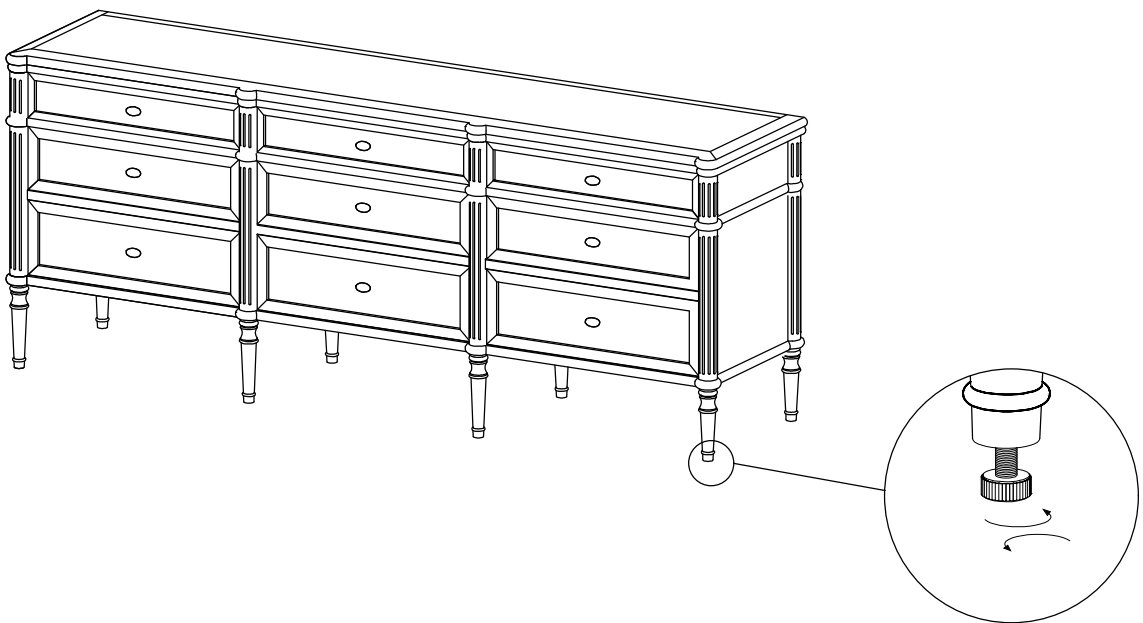
Step 2

## Adjusting Floor Levelers

**Check for Stability** - Place the furniture in its final position on a level surface. If it wobbles or doesn't sit evenly, the floor levelers need adjusting.

**Locate the Levelers** - These are small adjustable feet found at the bottom corners of your furniture.

**Adjust as Needed** - Using your hand or a wrench, turn the levelers clockwise to raise or counterclockwise to lower the furniture. Make small adjustments and check stability after each turn.



If you need further adjustments, repeat the process in small increments.