

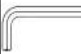



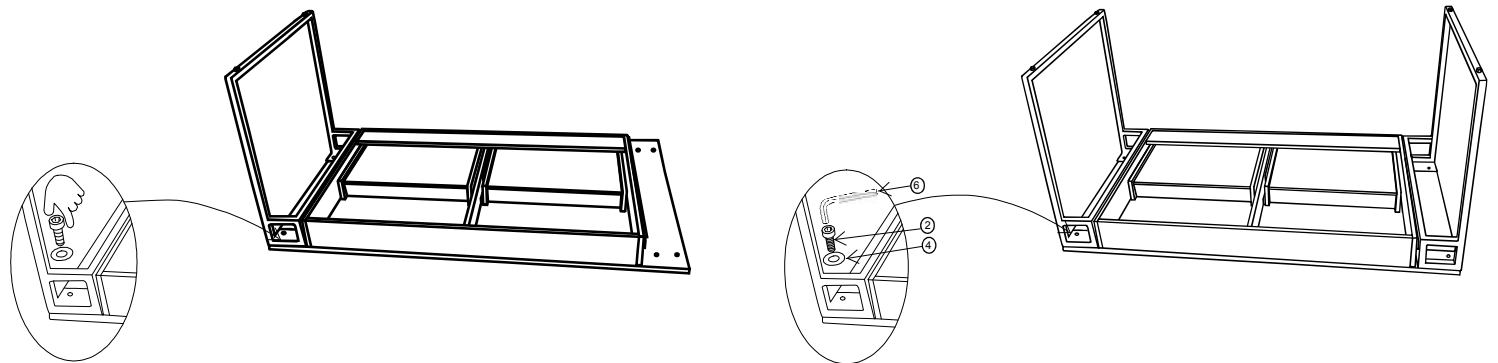


# ASSEMBLY INSTRUCTION FOR 27761 WRITING DESK

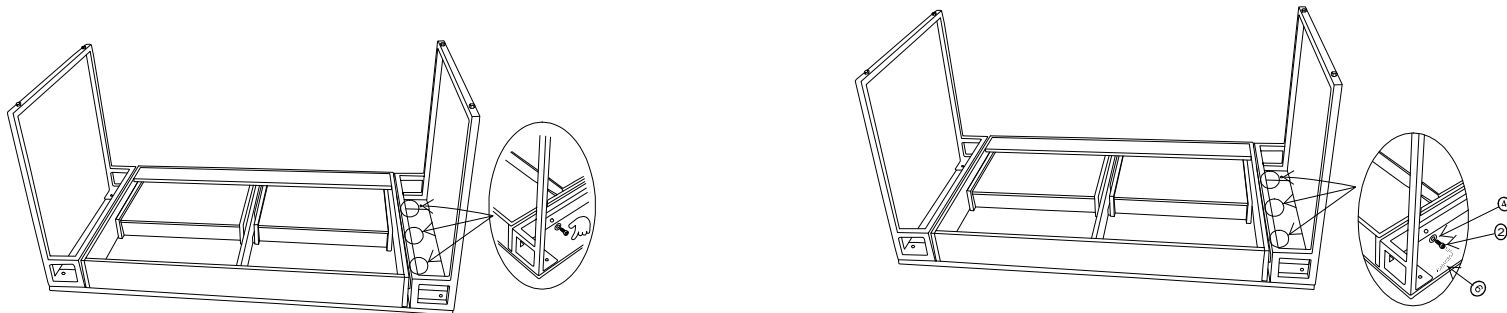
## HARDWARE LIST

NO.	ITEM	DESCRIPTION	QTY.	NO.	ITEM	DESCRIPTION	QTY.	NO.	ITEM	DESCRIPTION	QTY.
1		Big Bolt	2	3		Big Flat Washer	2	5		Big Allen Wrench	1
2		Small Bolt	14	4		Small Flat Washer	14	6		Small Allen Wrench	1

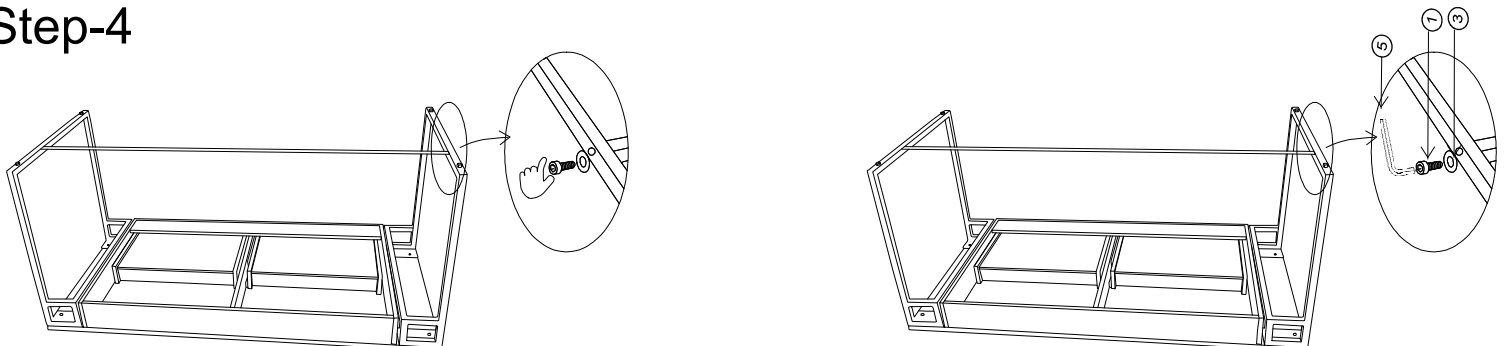
### Step-2



### Step-3



### Step-4



#### TO ASSEMBLY:

STEP 1 : Unpack the Writing desk and turn the top assembly upside down

STEP 2 : Attach Leg Assemblies to bottom of Top panel with Bolt (2), Washer (4) and Alen Key (6).

STEP 3 : Attach Leg assemblies to apron with Bolt (2), Washer (4) and Alen Key (6).

STEP 4 : Align holes in stretcher with holes in Legs with Bolt (1), Washer (3) and Alen Key (5).

STEP 5 : Carefully turn the writing desk upright.

