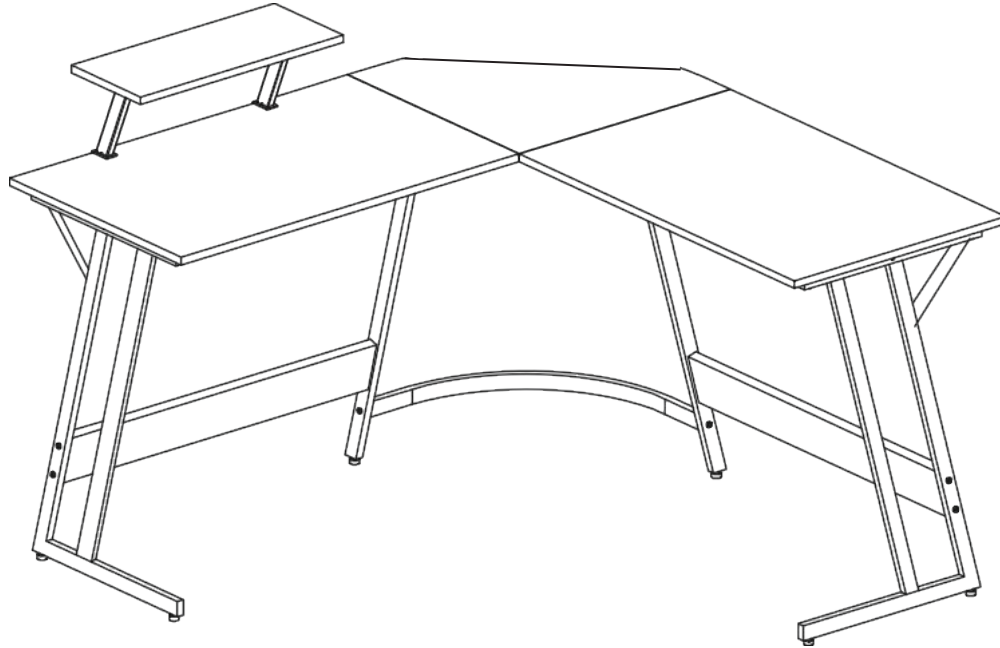


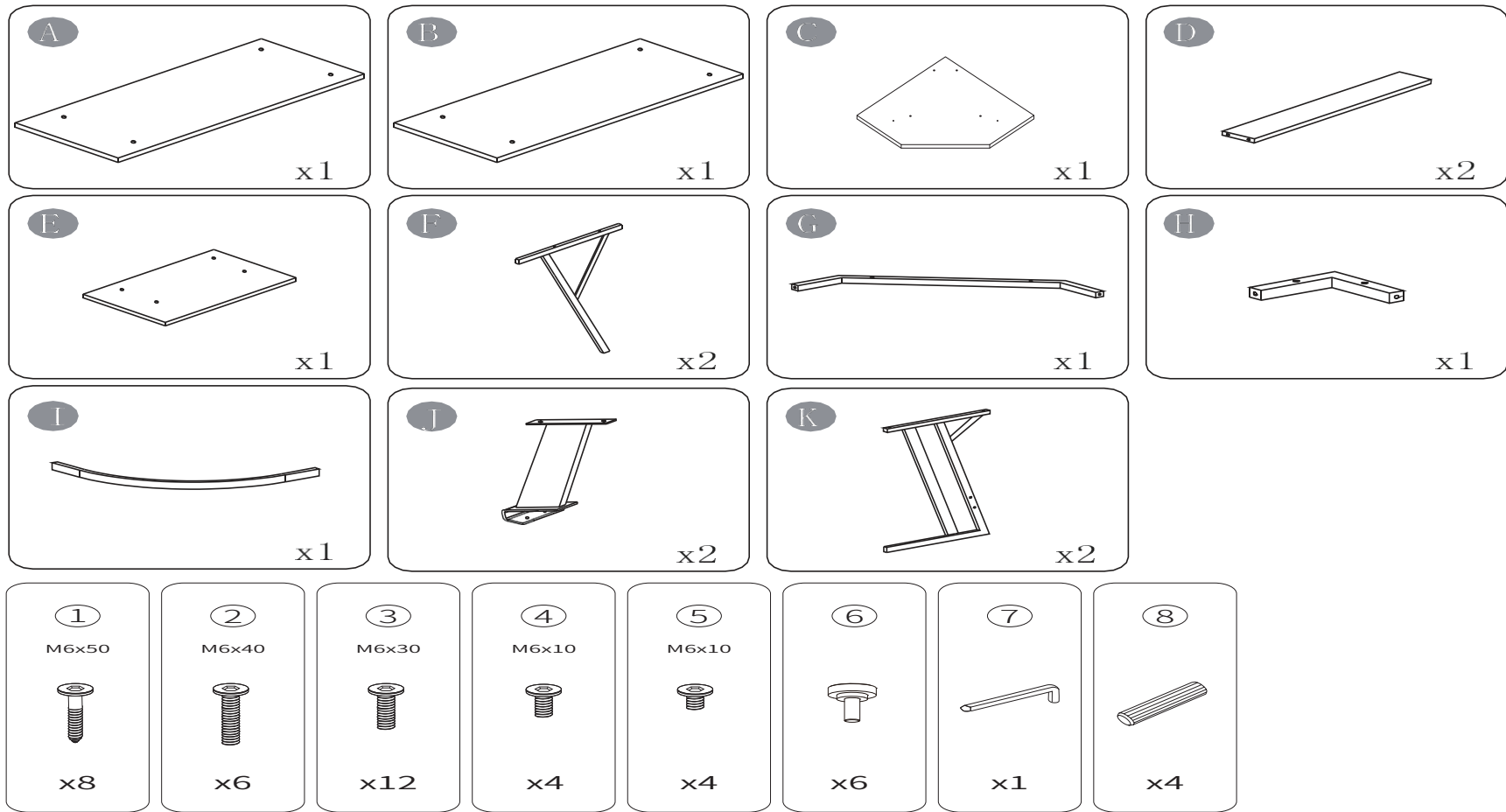
ASSEMBLY INSTRUCTIONS



L Shaped Desk

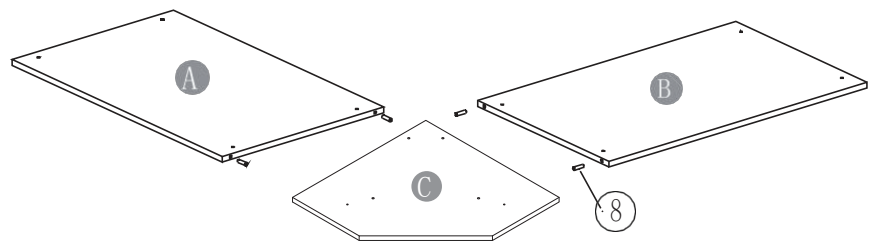
Important

- 1.It is recommended assembly is carried out by two people.
- 2.Read the instructions carefully in advance and strictly observe the steps of the instructions when assembling. Don't use the item before 100% assembly.
- 3.For a smooth assembly process, we suggest you keep **a little tightness for all the screws** during assembly. After the whole desk is assembled, firmly tighten all the screws.
- 4.For any damage or defective parts, kindly contact our online after-sale service.



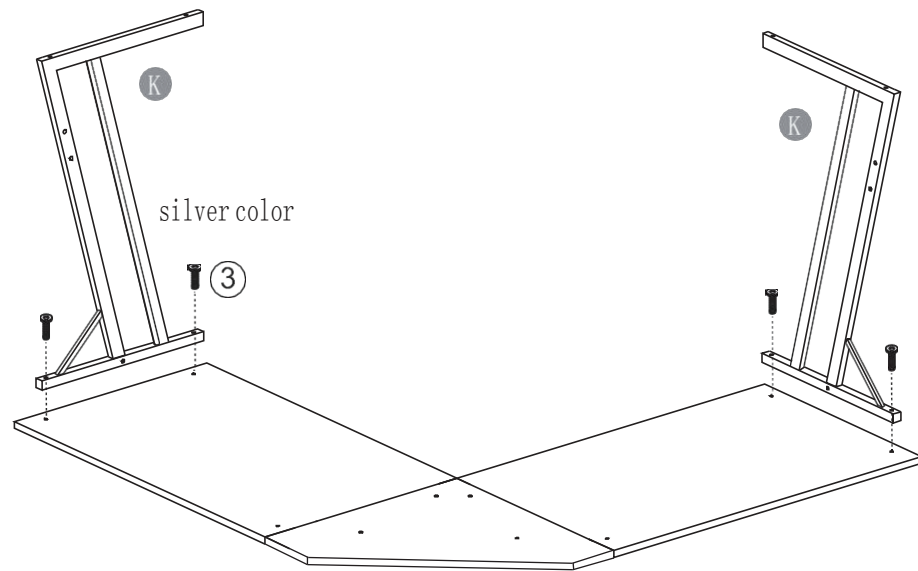
Note that the table top can only be fixed with silver screws ③

Step 1

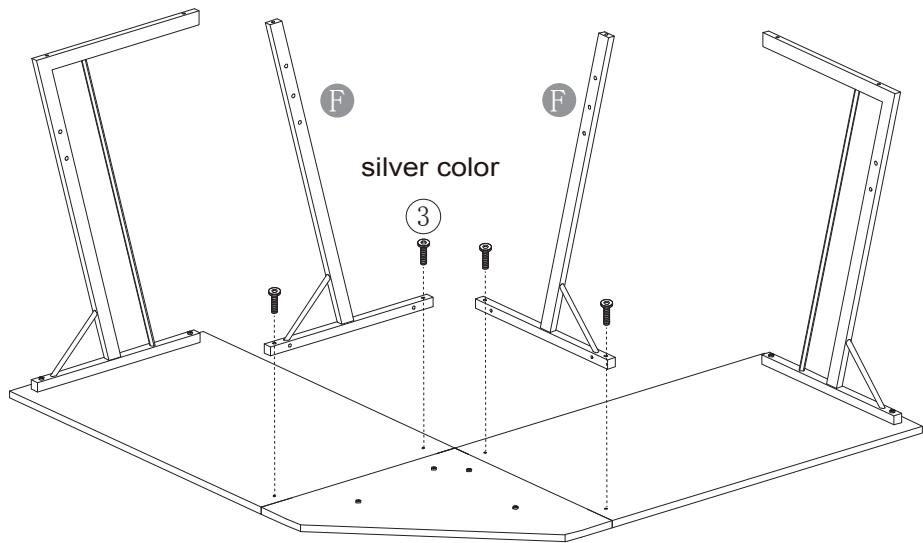


⑧ x 4

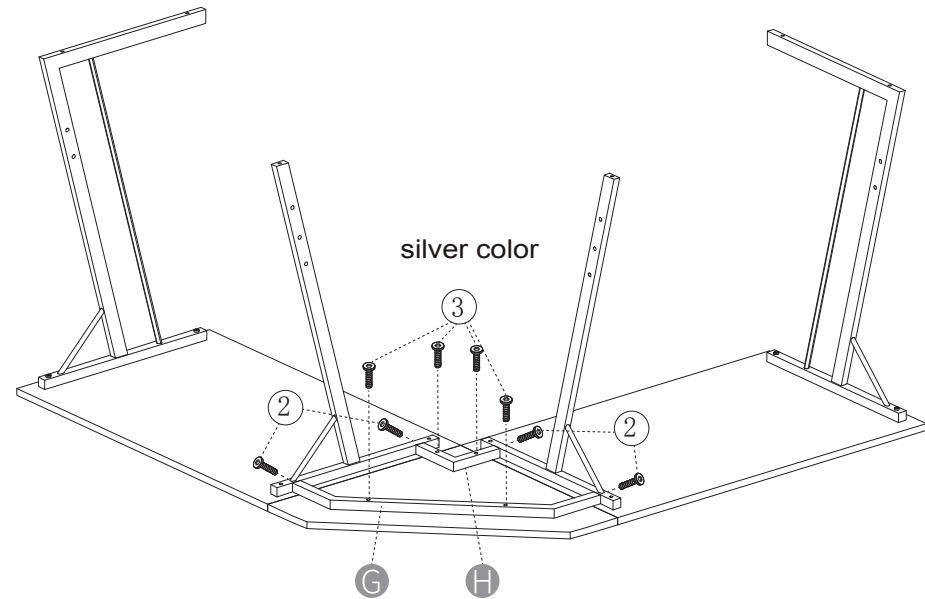
Step 2



③ x 4



③ x 4

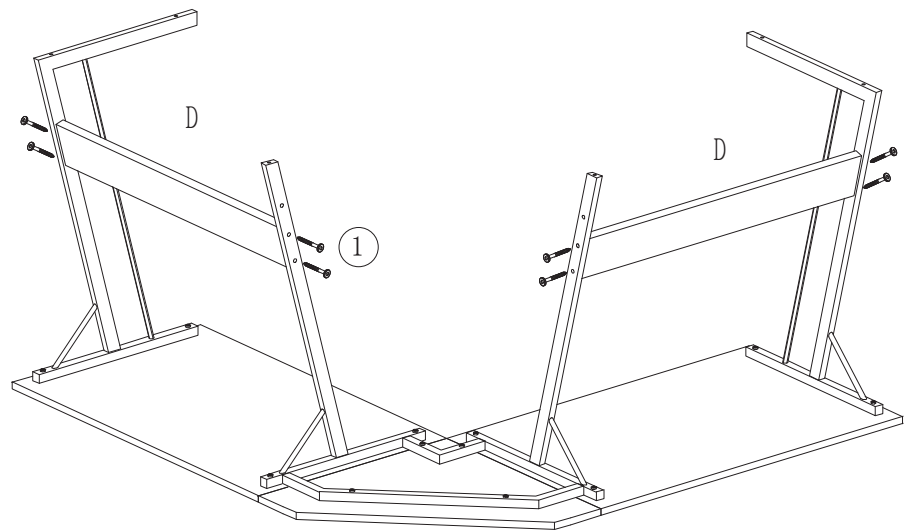


Notice: Fix the No.2 screws firstly them, then assemble the No.3 screws.

② x 4

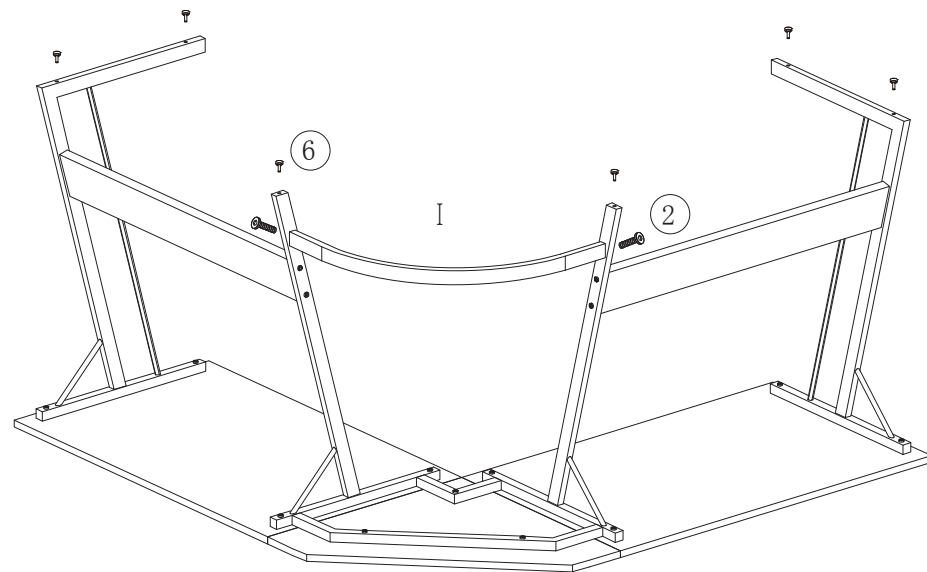
③ x 4

Step 5



① x 8

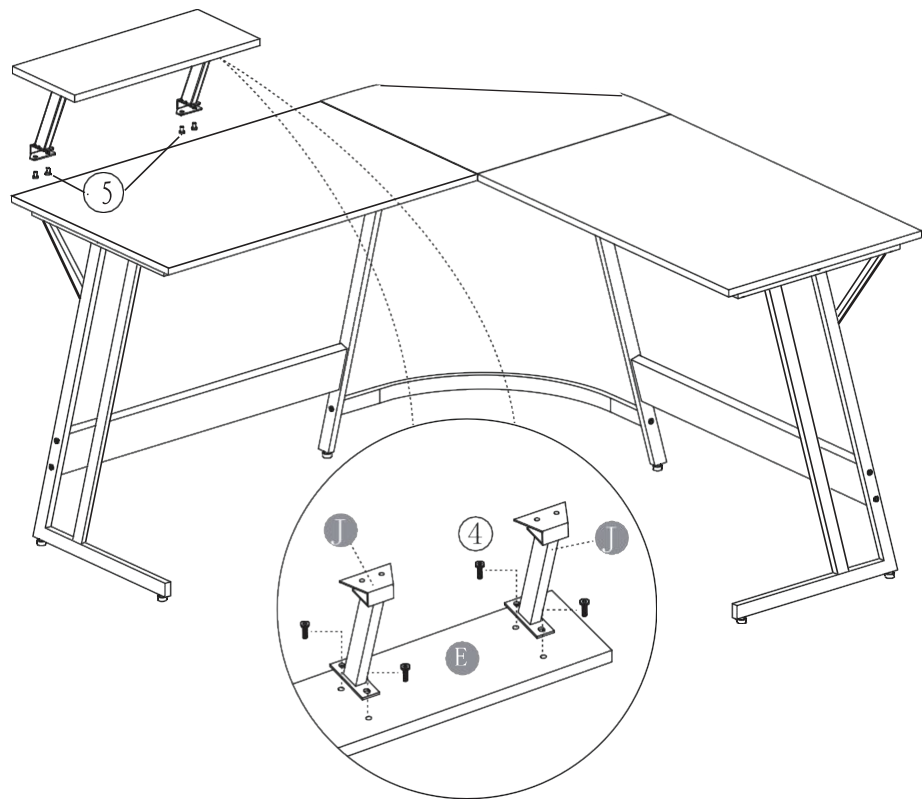
Step 6



② x 2

⑥ x 6

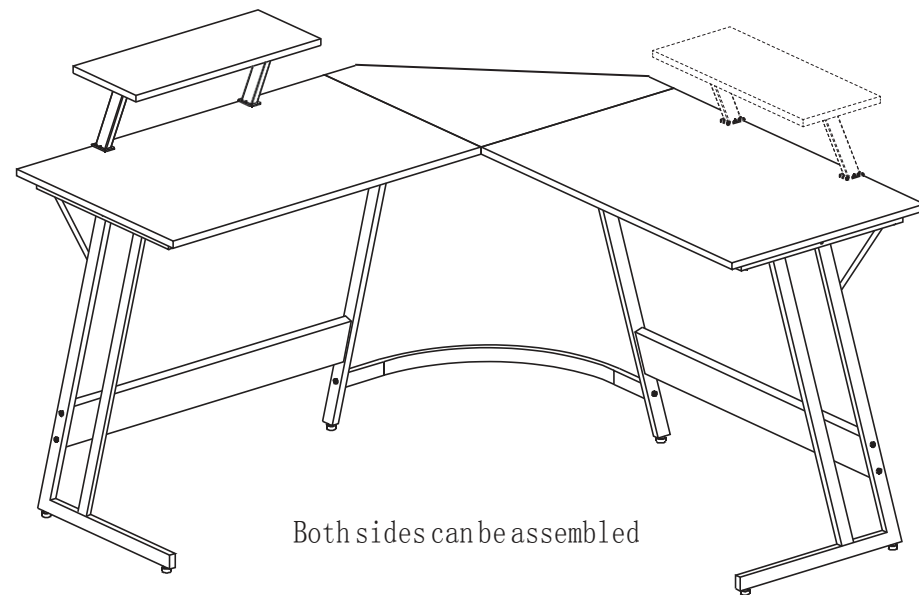
Step 7



④ x4

⑤ x4

Finish



Both sides can be assembled