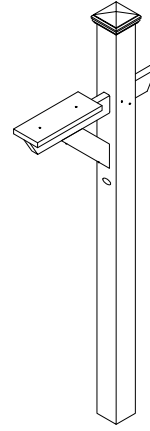


# Mailbox Post

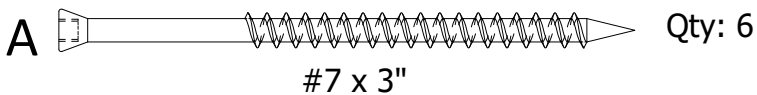
## Assembly Guide



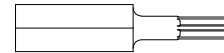
### IMPORTANT!

DO NOT fully tighten the bolts until all bolts are started.  
Once all bolts are inserted, go back & tighten all the bolts.

### HARDWARE INCLUDED



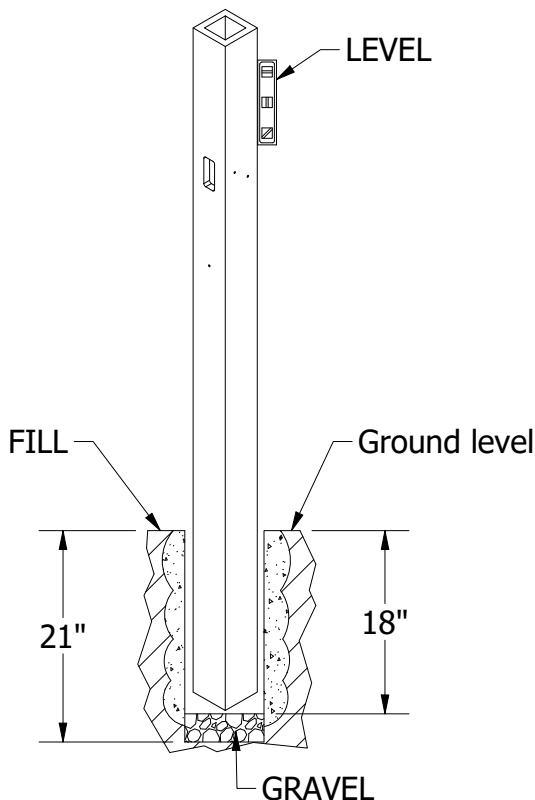
### TOOLS INCLUDED



T-15 TORX BIT

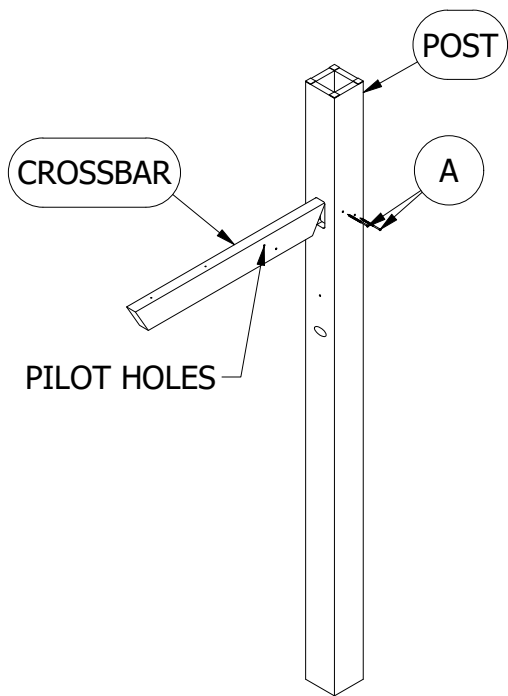
### CUSTOMER SUPPLIED TOOLS

Cordless screwdriver/drill OR  
Multi-bit handle for the Torx Bit

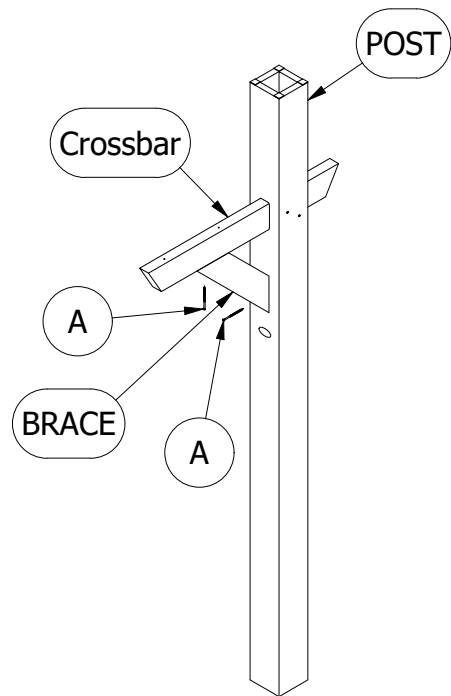


**IMPORTANT!** Check for Underground Services With Your Local Authorities **BEFORE** Installation of This Product.

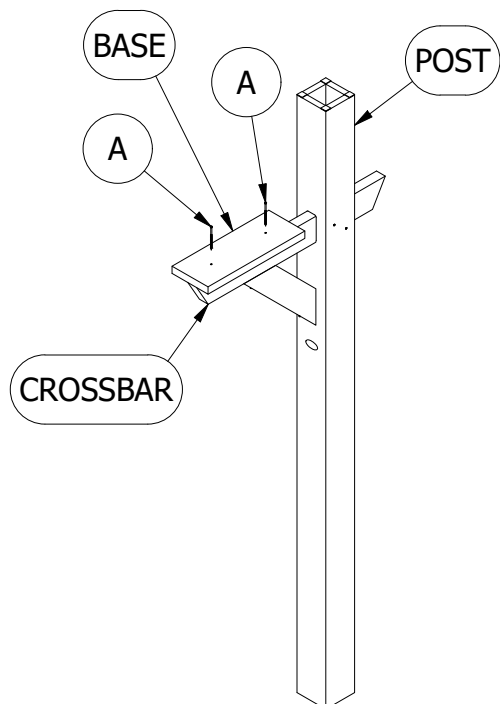
- 1)** Dig a Hole Approximately 21" Deep. Fill The Hole With Approximately 3" of Gravel At the Bottom For Water Drainage.
- 2)** Insert the Base of the Post Into the Hole and Fill the Hole With Concrete or Packed Stone Dust. Using a Hand level, Ensure the Post is Plumb on All Sides



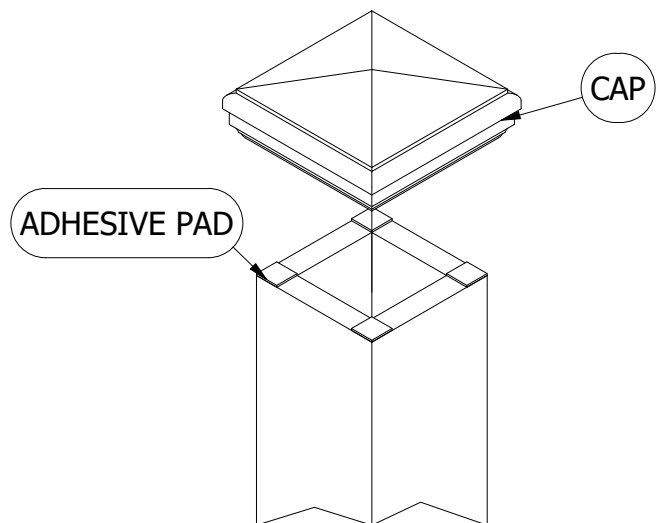
**3)** Insert (2) "A" Screws Into Clearance Hole in Post and Align with Pilot Holes in Crossbar. Fasten Using T-15 Torx Bit.



**4)** Insert (2) "A" Screws Into Clearance Holes in Brace and Align with Pilot Holes in Crossbar and Post. Fasten Using T-15 Torx Bit.



**5)** Insert (2) "A" Screws Into Clearance Holes in Base and Align with Pilot Holes in Crossbar. Fasten Using T-15 Torx Bit.



**6)** Remove Cover on (4) Adhesive Pads and Slide Cap Over Top of Post. Press Down Firmly On Cap to Attach.

Attach Any Mailbox Purchased Separately Per Instructions Included with Mailbox.