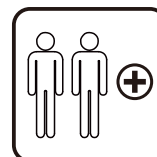
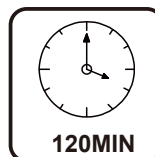
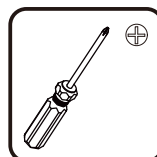
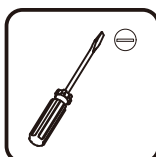
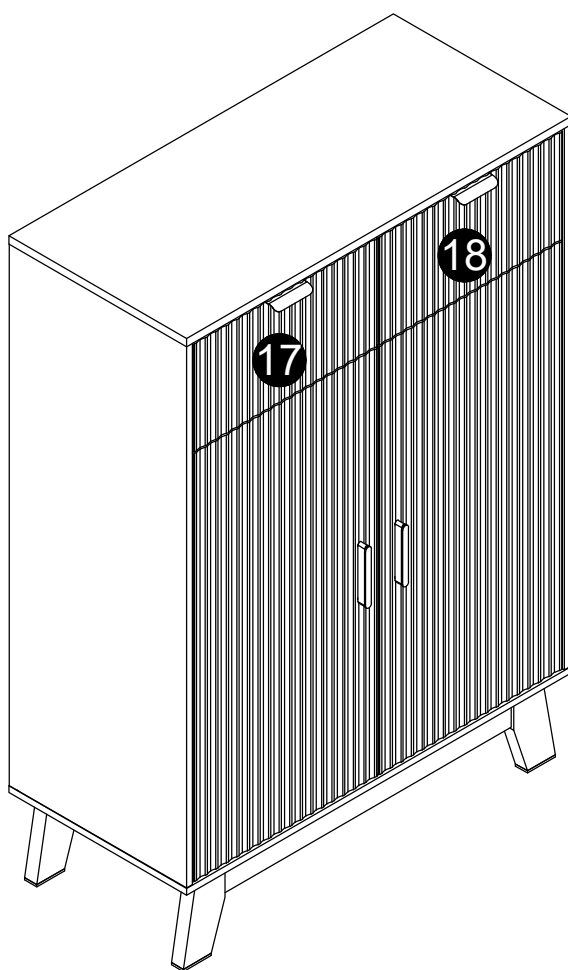


Version: 1.0



EN_IMPORTANT, RETAIN FOR FUTURE REFERENCE: READ CAREFULLY.

. THANK YOU FOR PURCHASE! .

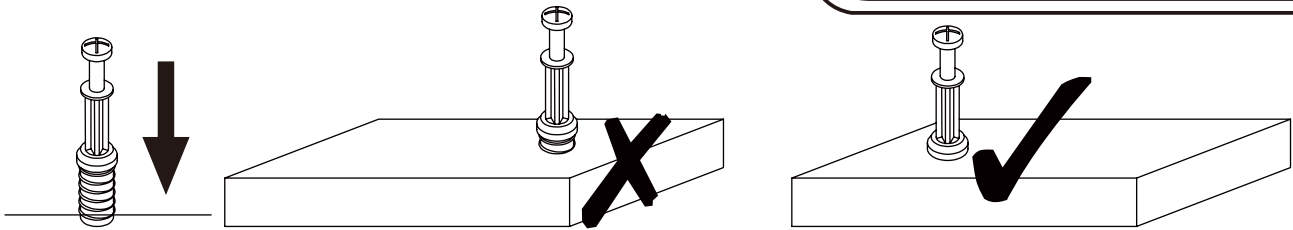
FREE REPLACEMENT PARTS AVAILABLE!

If you're experiencing any issues—whether due to shipping, assembly, or any other reason
—we're here to help.
For any damaged or missing components, we're happy to provide FREE replacement parts.

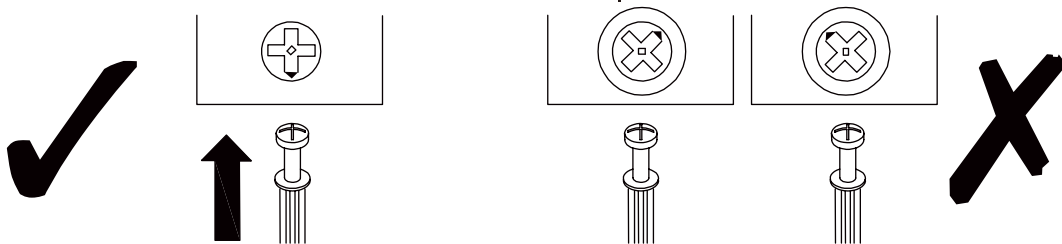
WANT TO CONTACT US

- ▶ Go to “Your Orders” and locate your furniture order.
- ▶ Click on “Get Help with Order” to send us a message directly.

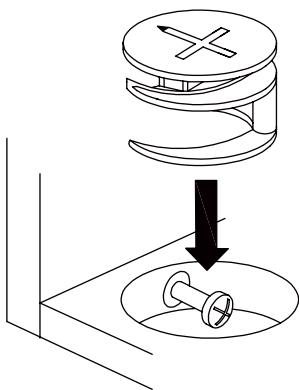
Our customer support team is ready to assist you and we will respond within
12-24 HOURS to resolve your concerns quickly!



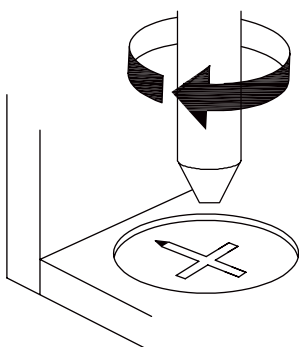
EN_QUICKFIT: Tighten quickfit until shoulder is flush with panel. Do not overtighten or undertighten.



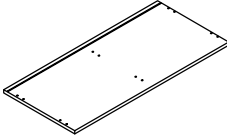
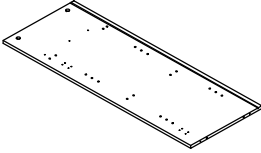
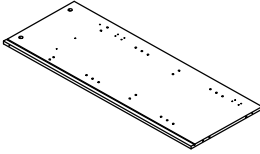
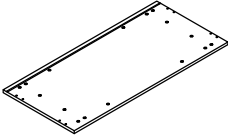
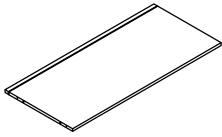
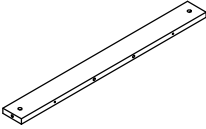

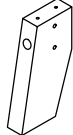
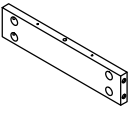
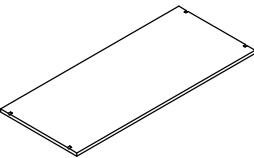
EN_CAM LOCK: When fitting cam lock, ensure starting position is correct before you insert connecting quickfit.

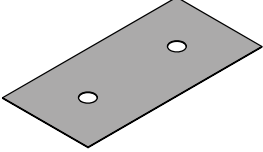
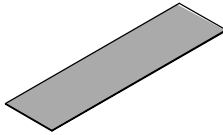
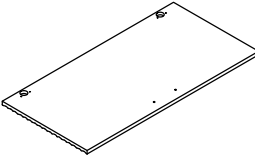
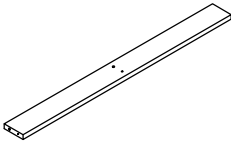
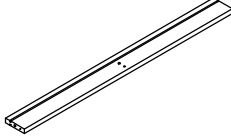
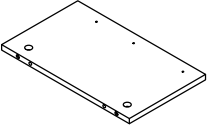
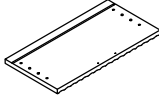
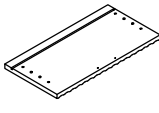
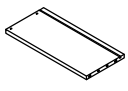
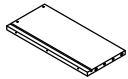


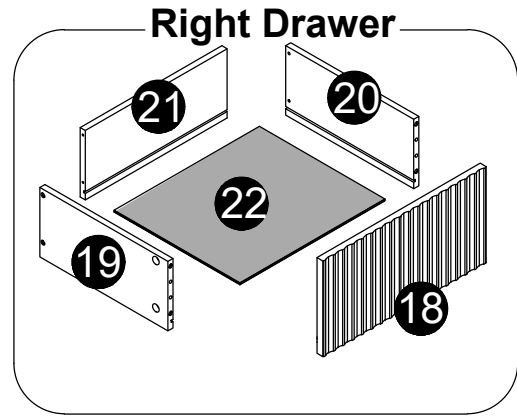
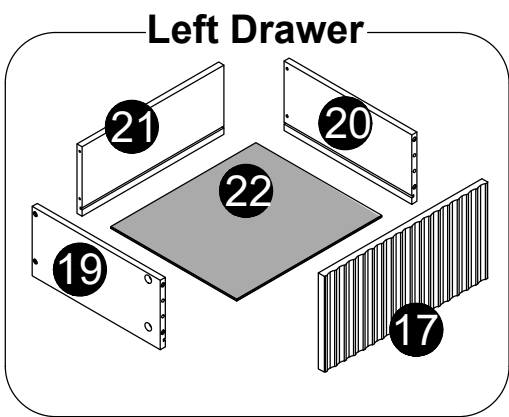
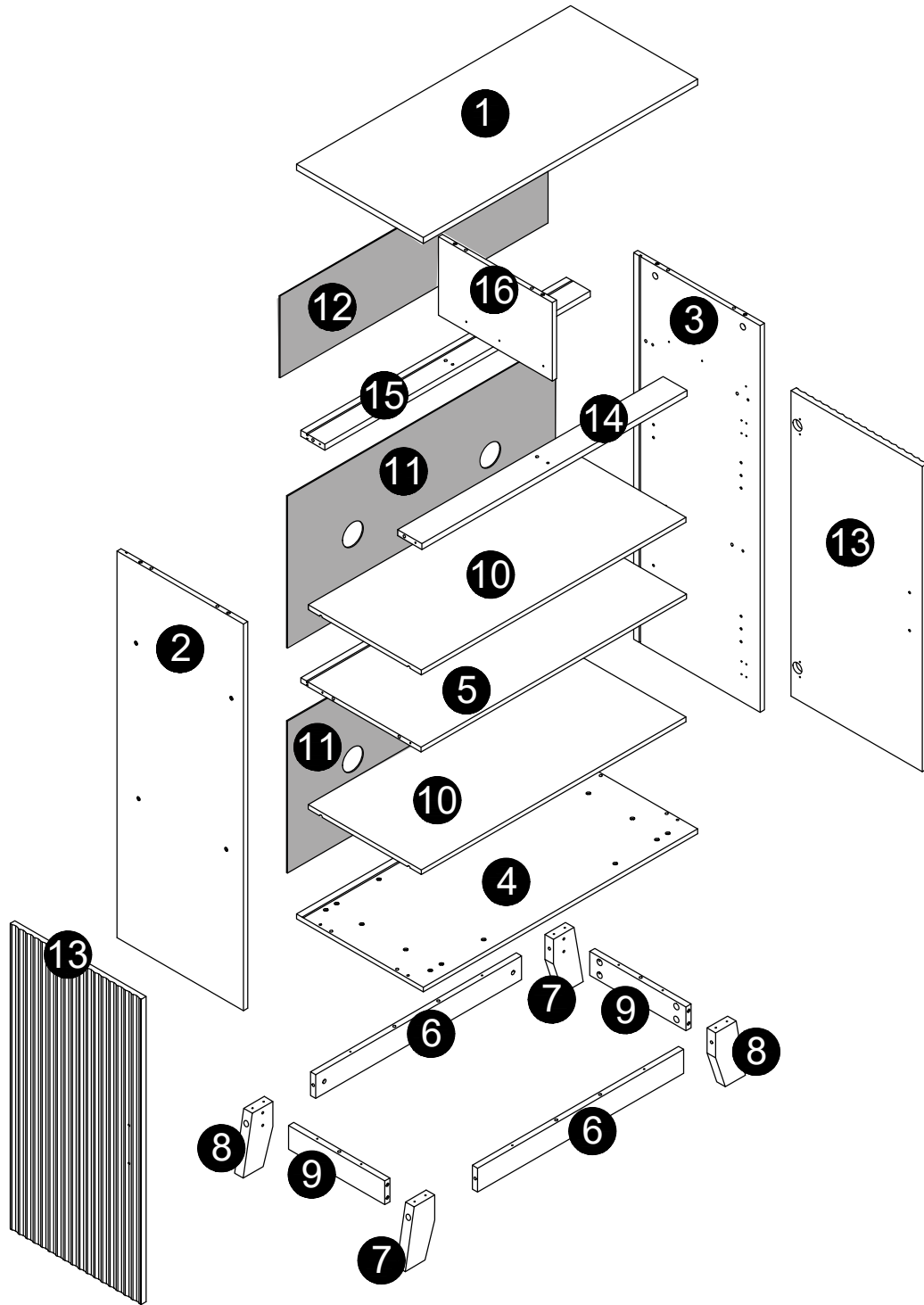
EN_Quickfit head should be in the centre of the cam lock when the two panels are joined.
Cam lock should be inserted before quickfit.






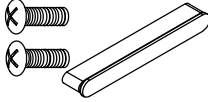






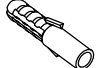


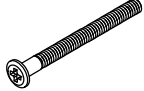

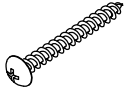
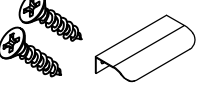
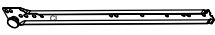





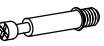

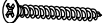
EN_Turn cam lock clockwise to tighten.

NO.	PARTS	QTY	SPARE
1		x1	
2		x1	
3		x1	
4		x1	
5		x1	
6		x2	
7		x2	
8		x2	
9		x2	
10		x2	

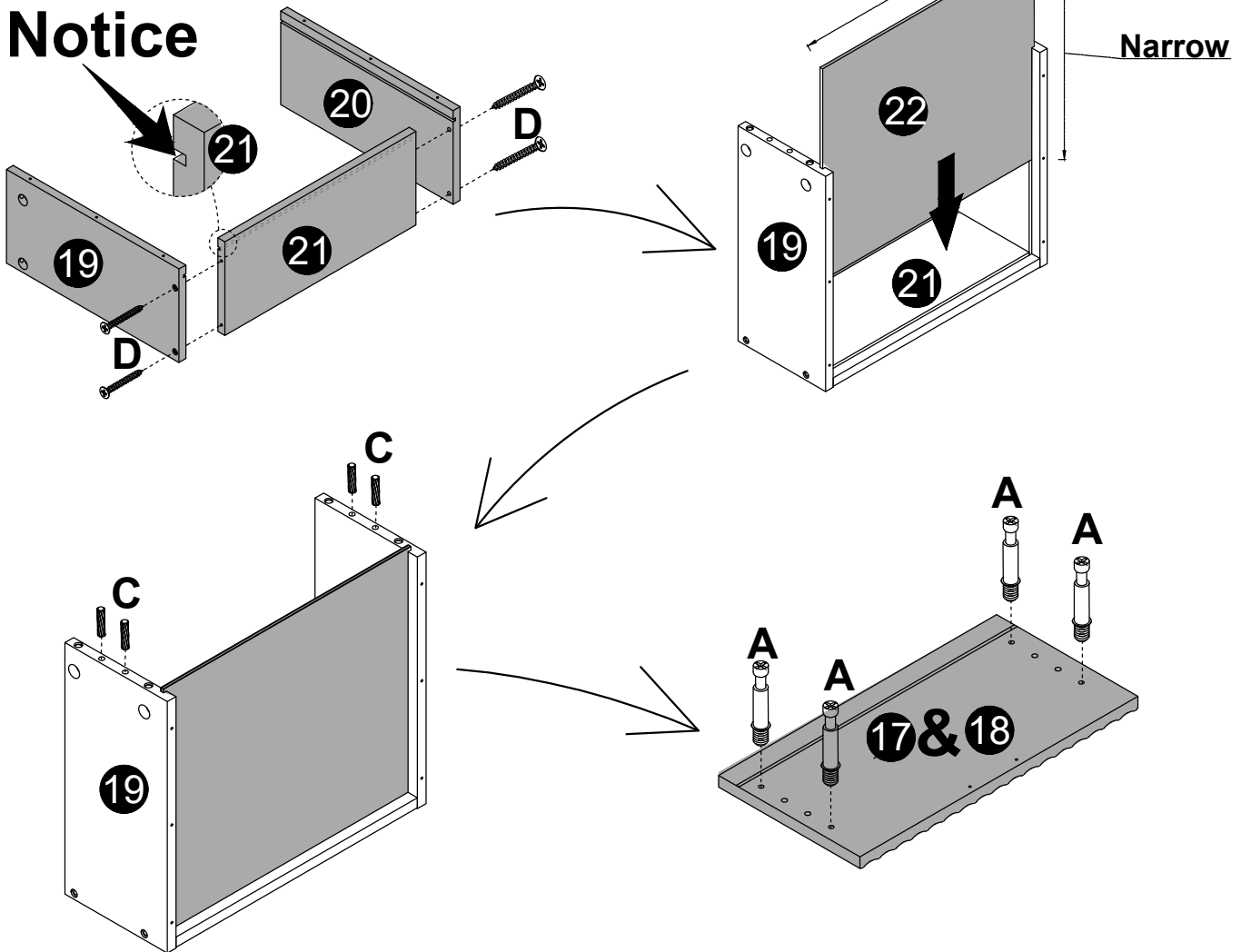
NO.	PARTS	QTY	SPARE
11		x2	
12		x1	
13		x2	
14		x1	
15		x1	
16		x1	
17		x1	
18		x1	
19		x2	
20		x2	

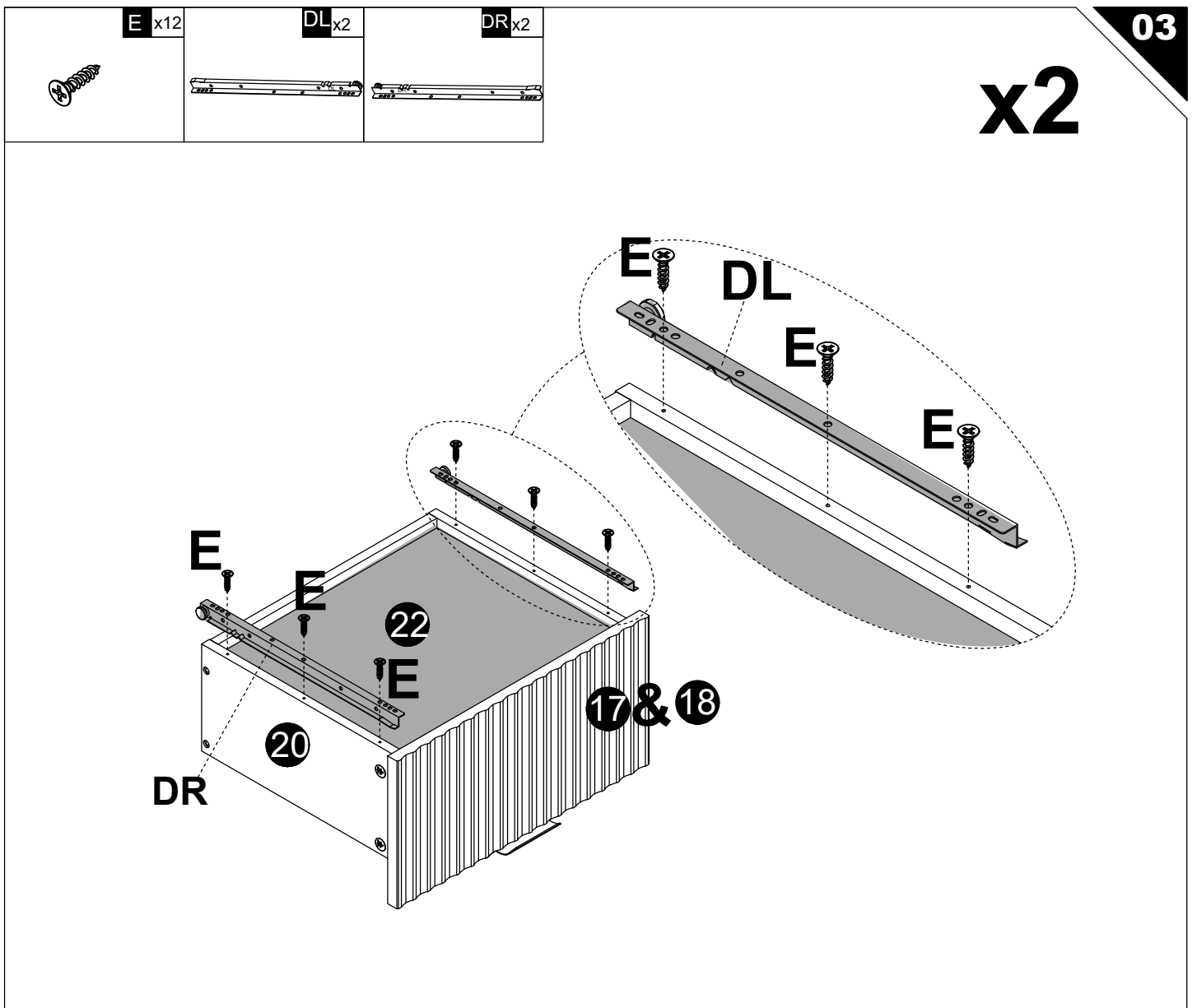
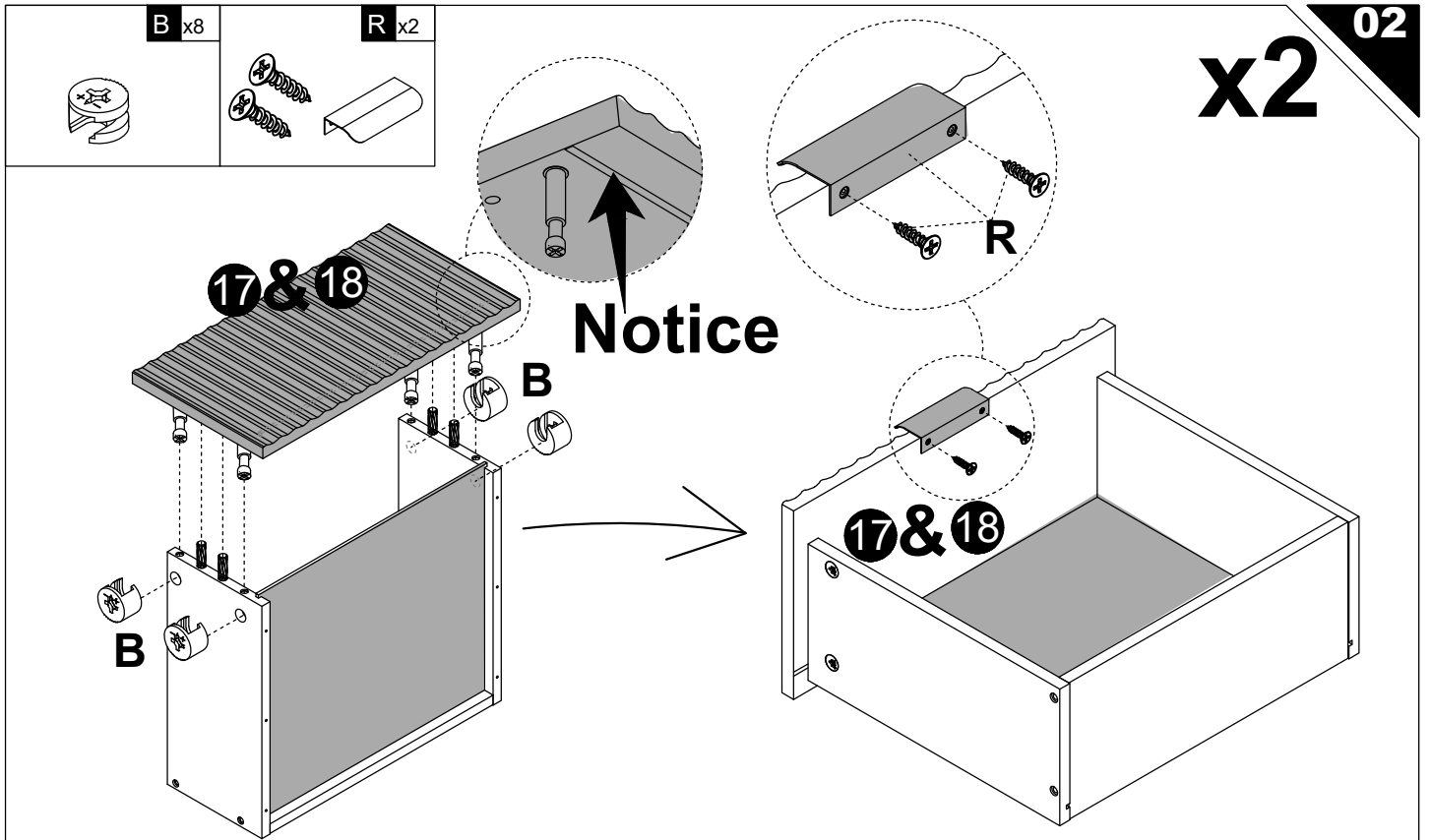


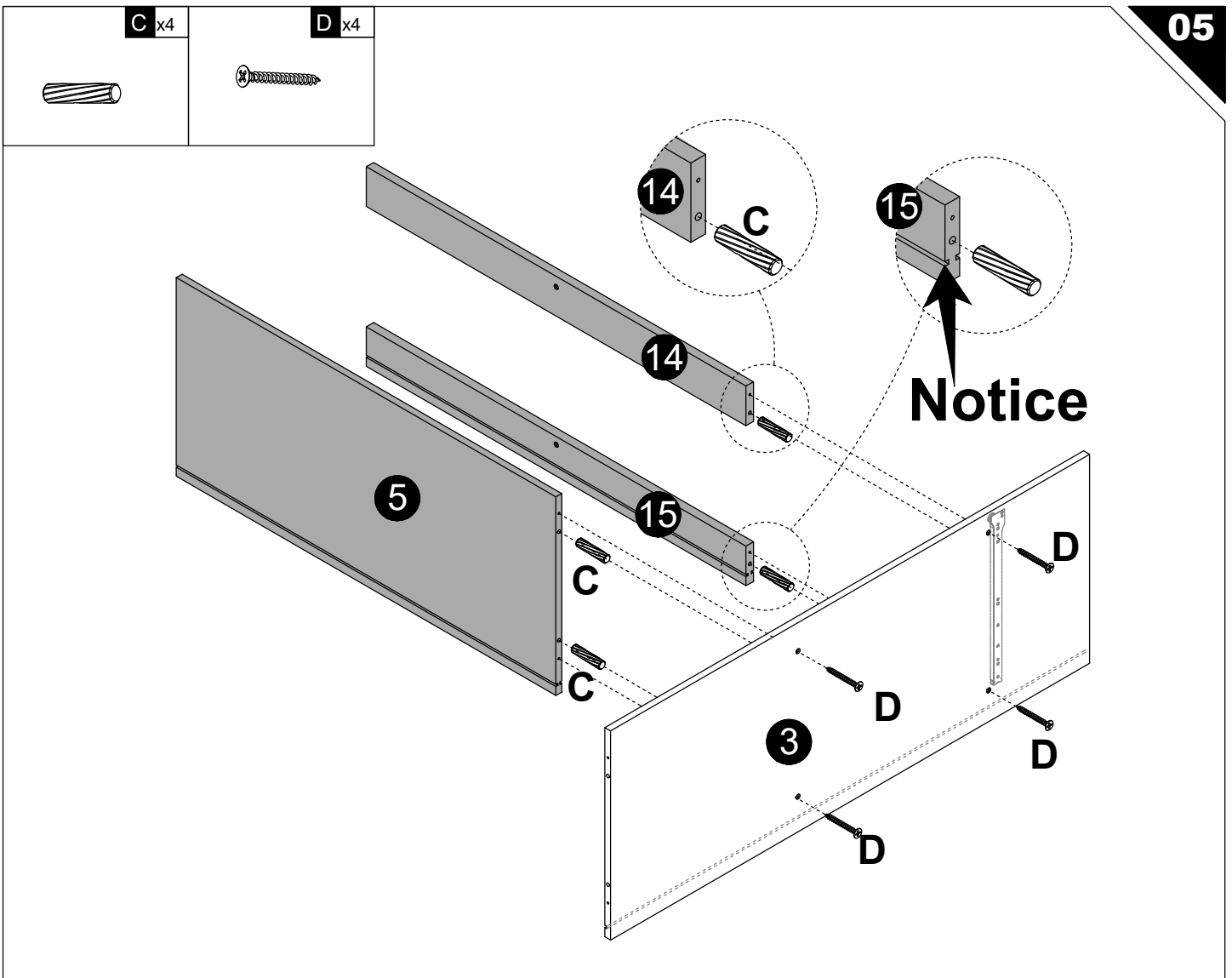
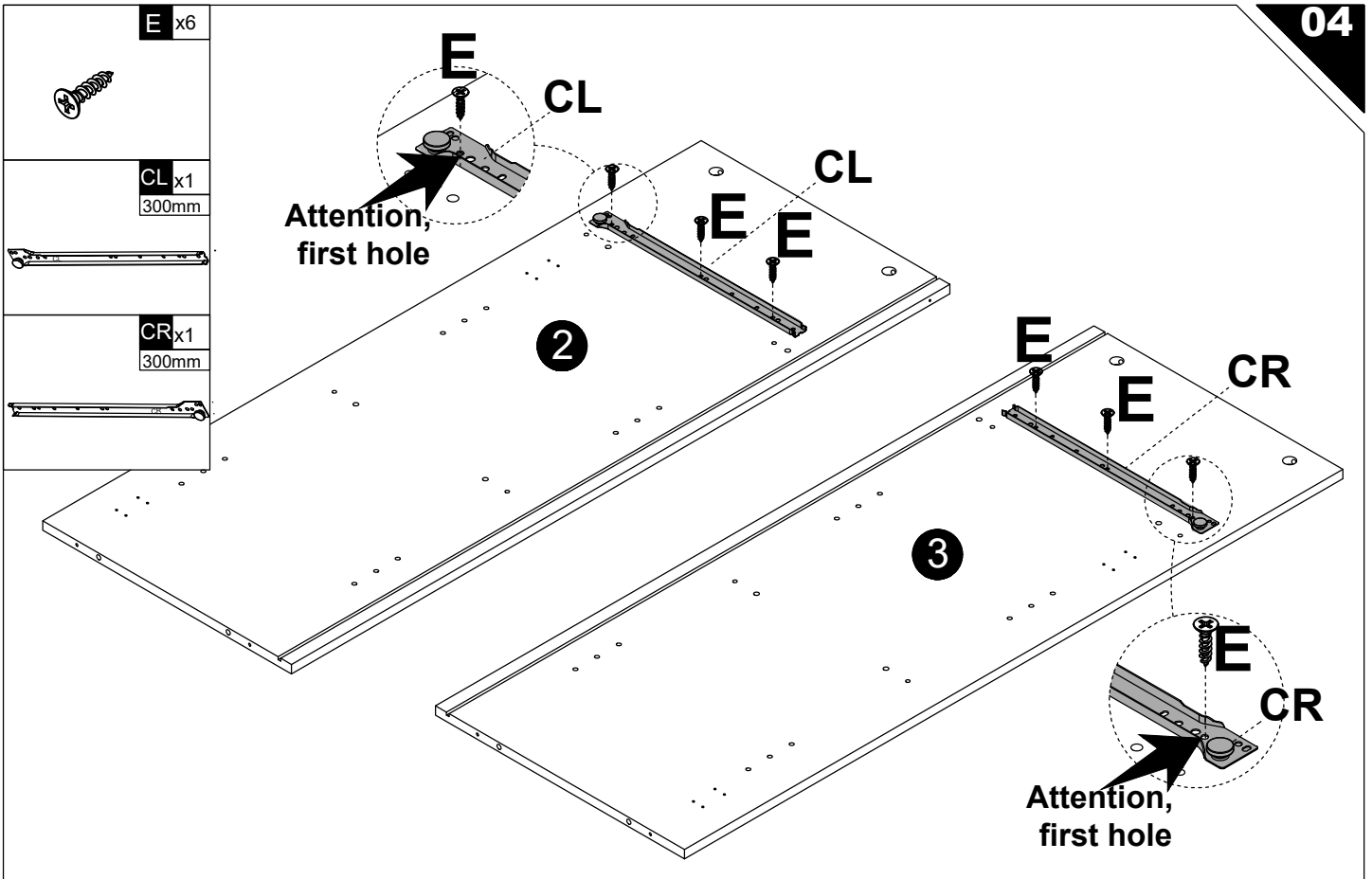
 A x22 Ø6x35mm +2(spare)	 B x22 Ø15x10mm +2(spare)	 C x34 Ø6x30mm +3(spare)	 D x24 Ø4x35mm +2(spare)	 E x48 Ø3.5x12mm +4(spare)	 F x2
 G1 G x18 Ø3x16mm +1(spare)  G2	 H x8 +1(spare)	 I x28 Ø20mm +2(spare)	 J x2 Ø4x14mm	 K x2	 L x2 Ø6x30mm
 M x4 Ø26mm	 N x4	 O x4 Ø6x70mm	 P x4 Ø10x10mm	 Q x16 Ø4x30mm +2(spare)	 R x2
 CL x2 300mm	 CR x2 300mm	 DL x2 300mm	 DR x2 300mm		

 A x8	 C x8	 D x8
--	--	--

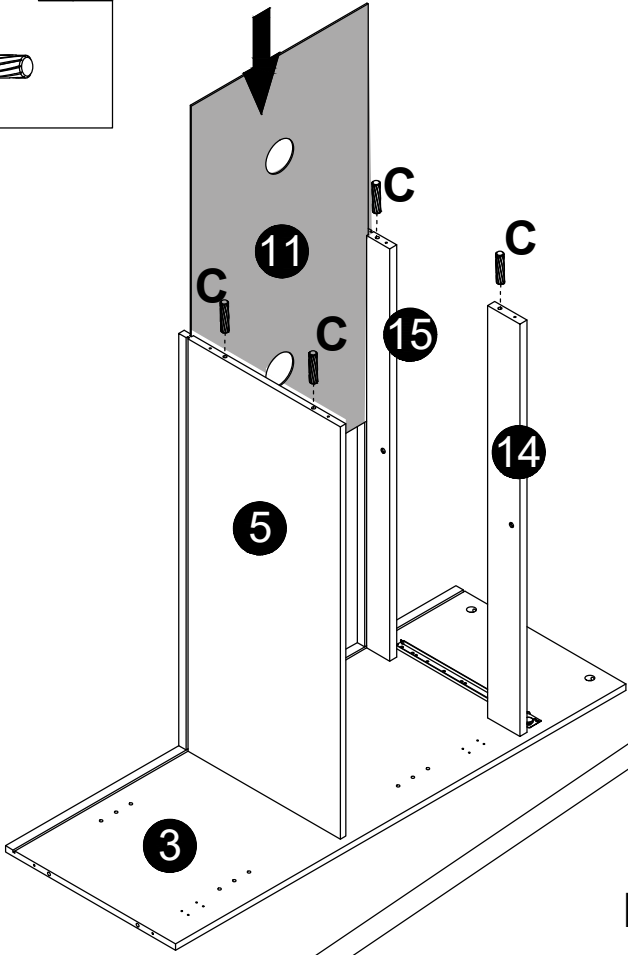
Notice



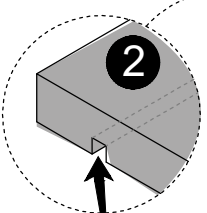




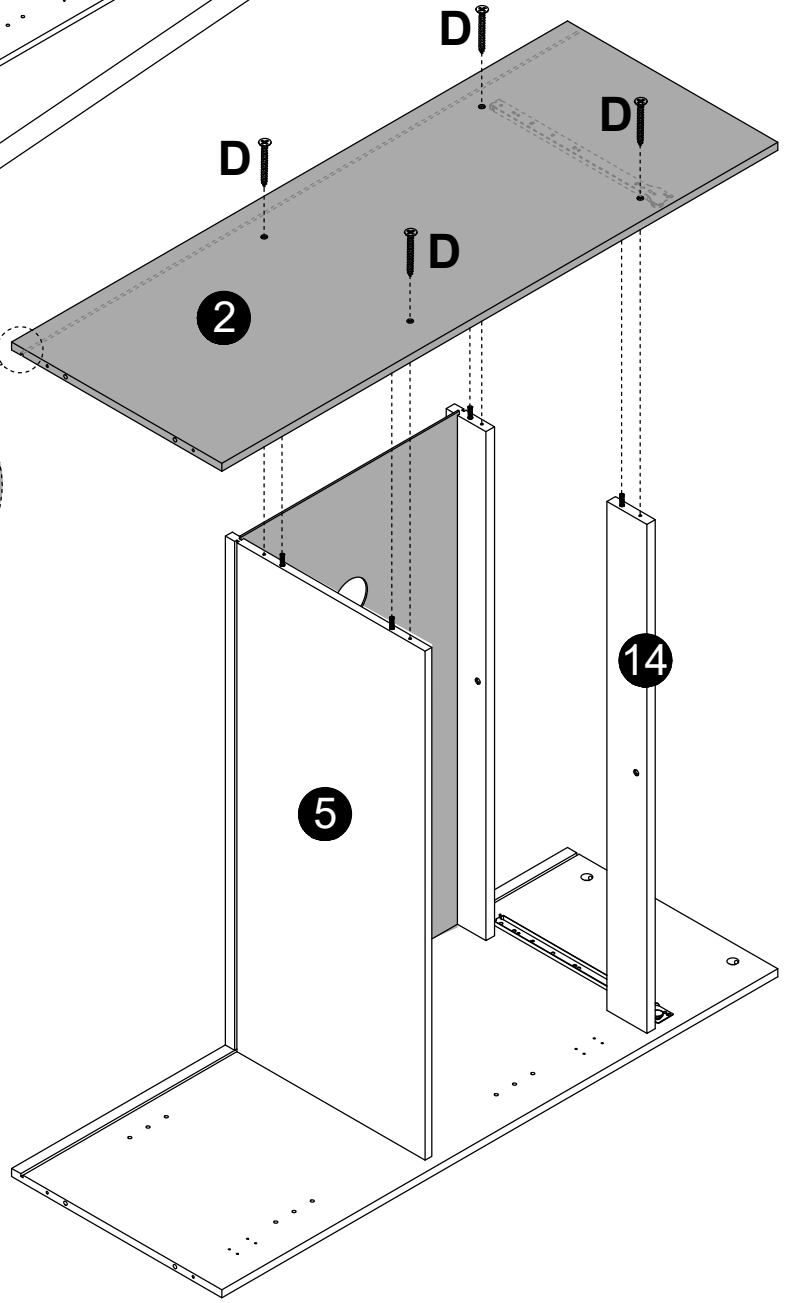
C x4



D x4



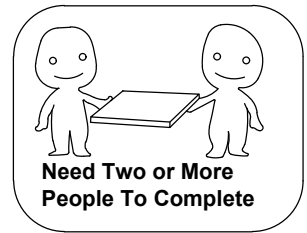
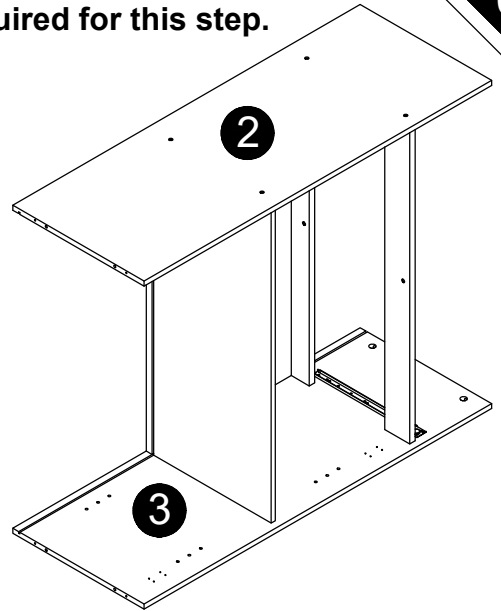
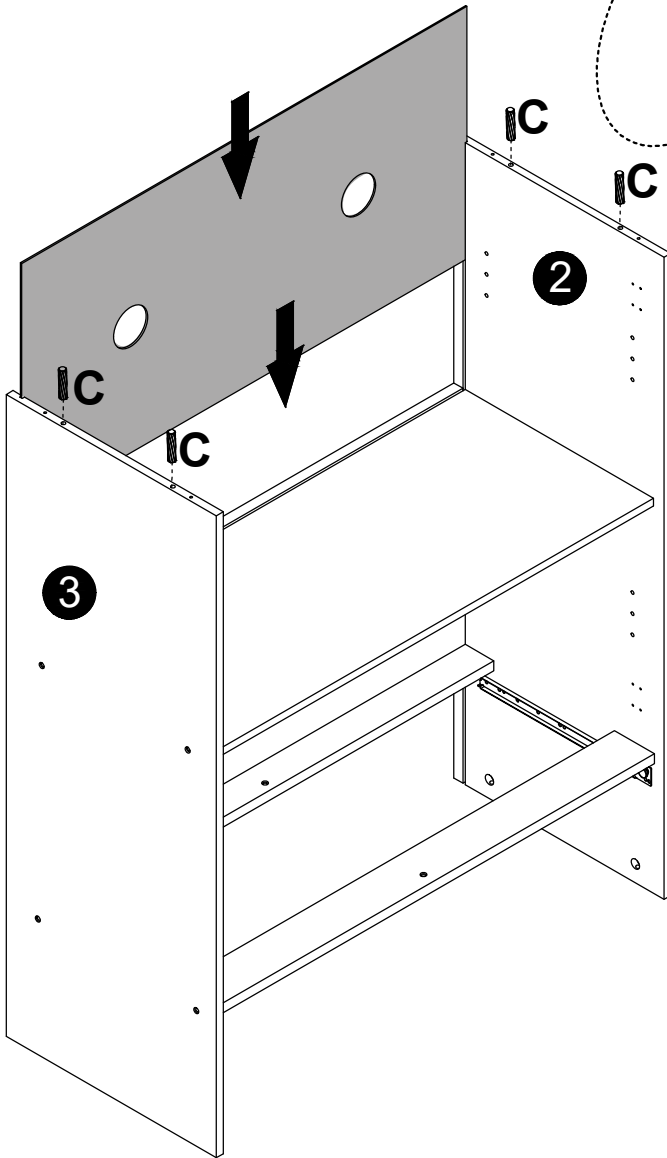
Notice



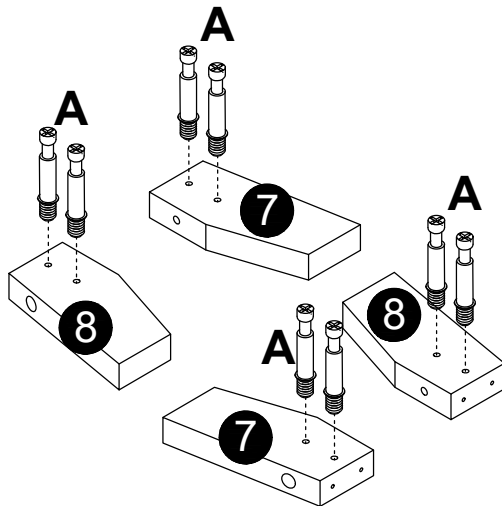
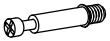
C x4

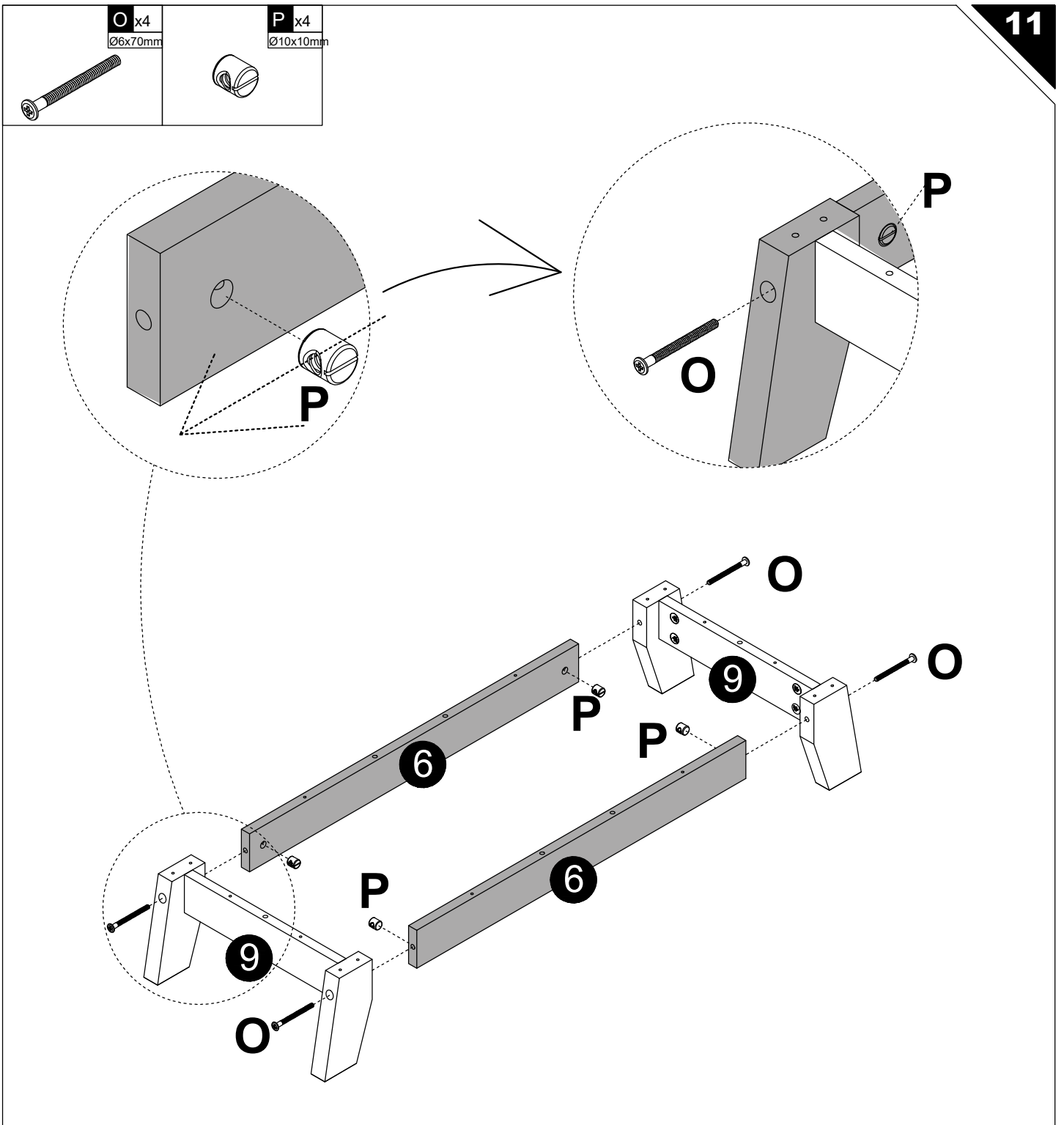
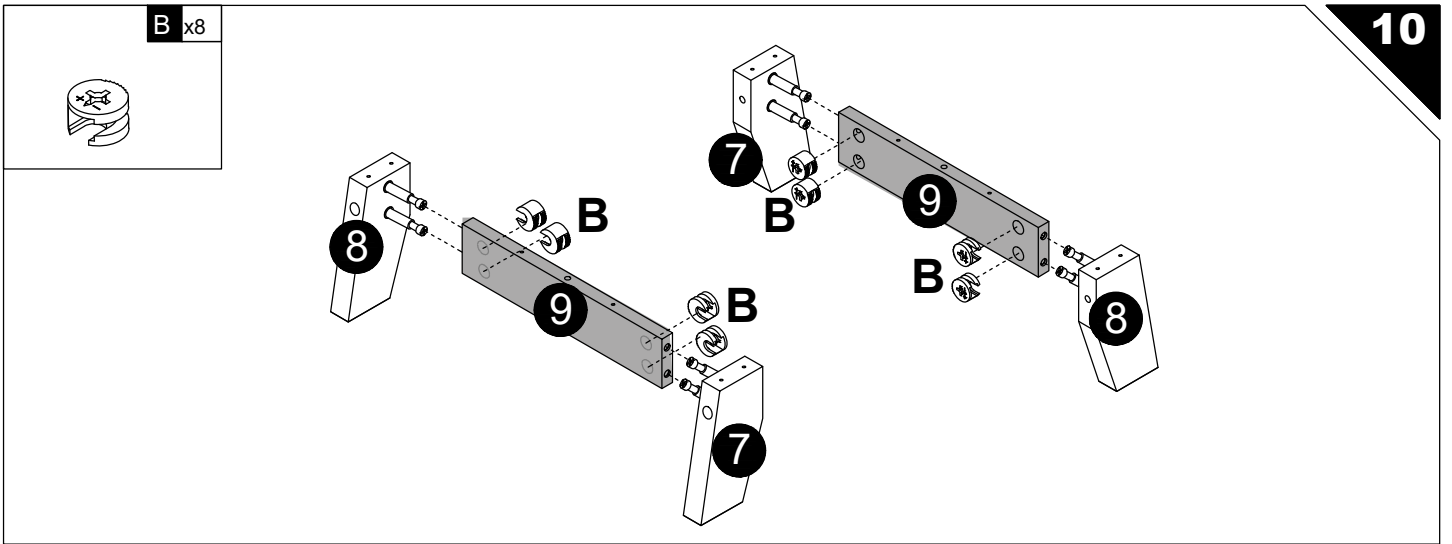


Note: At least two people are required for this step.

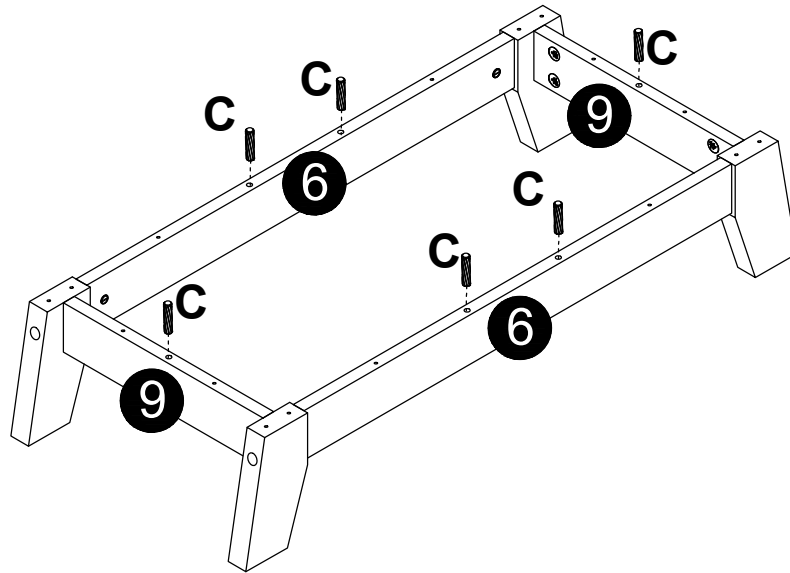


A x8





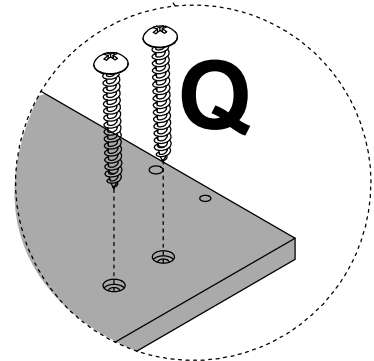
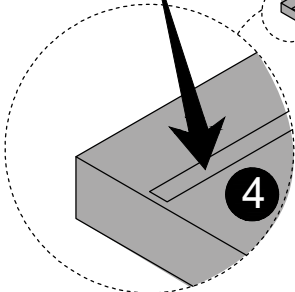
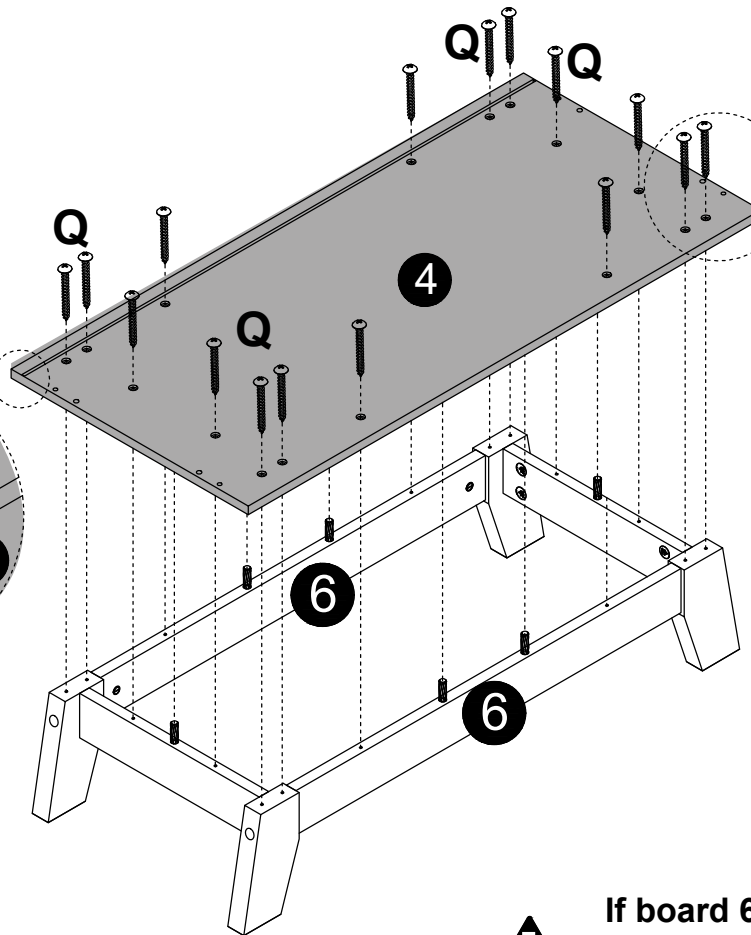
C x6



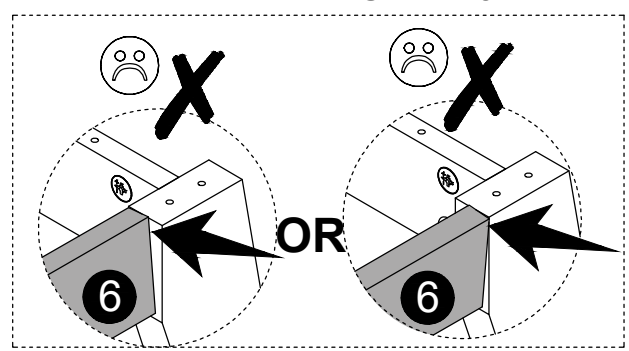
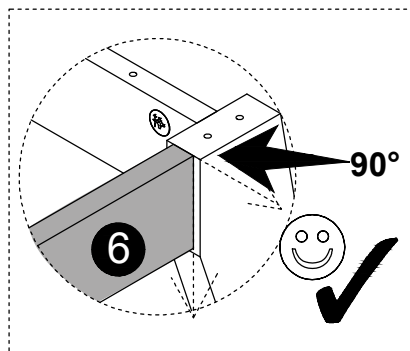
Q x16



Notice

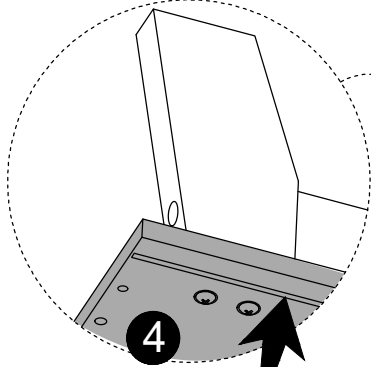
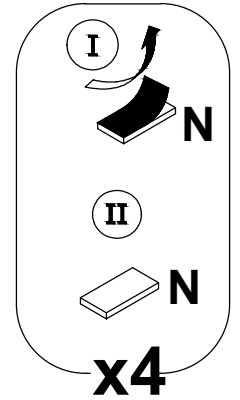
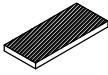


If board 6 does not have a 90 degree angle, please rotate board 6 90 degrees by hand.

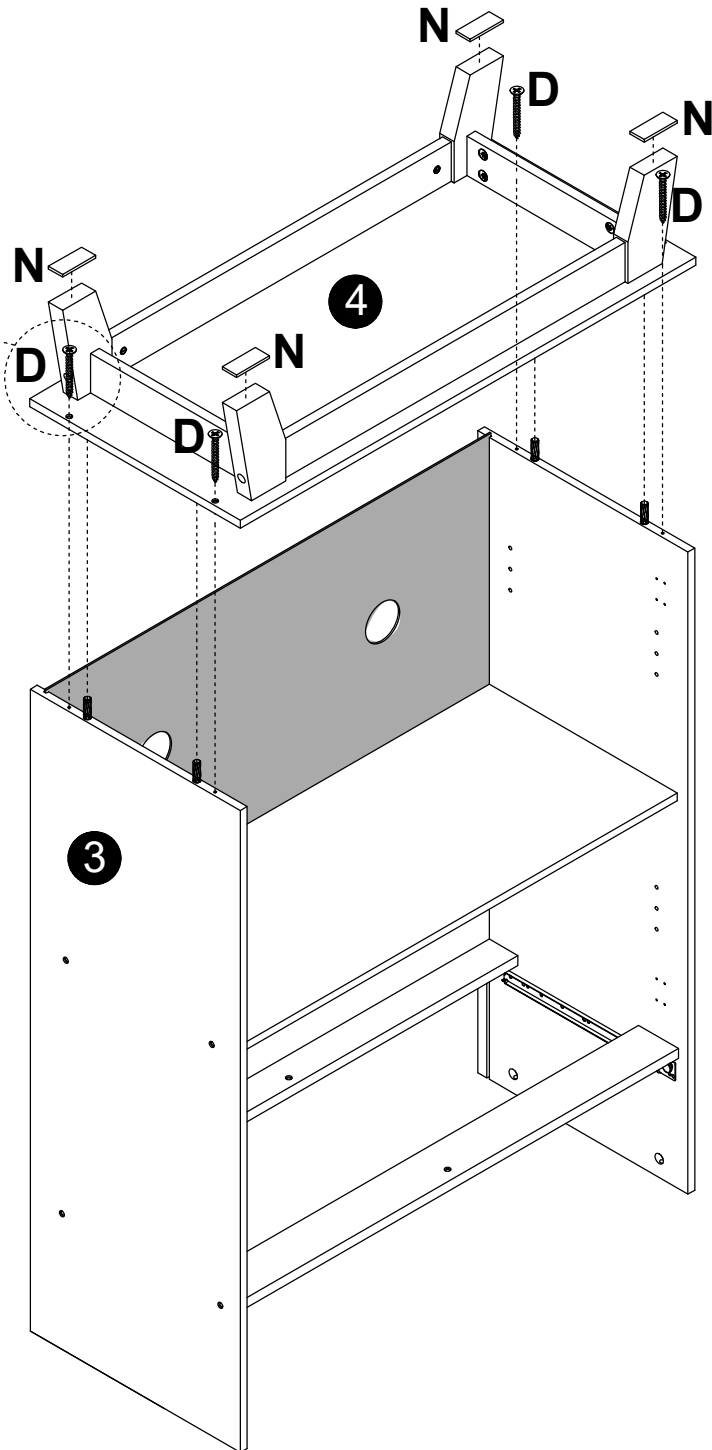


D x4

N x4



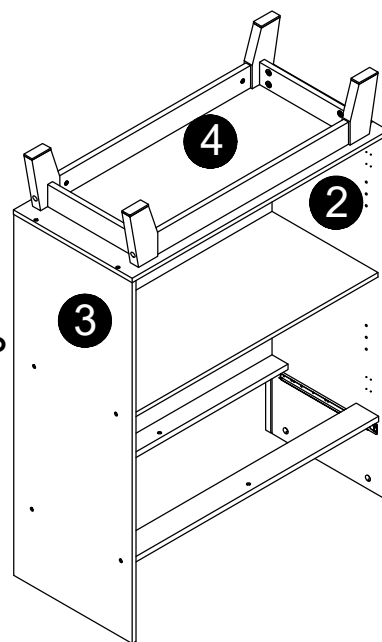
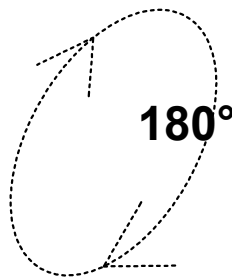
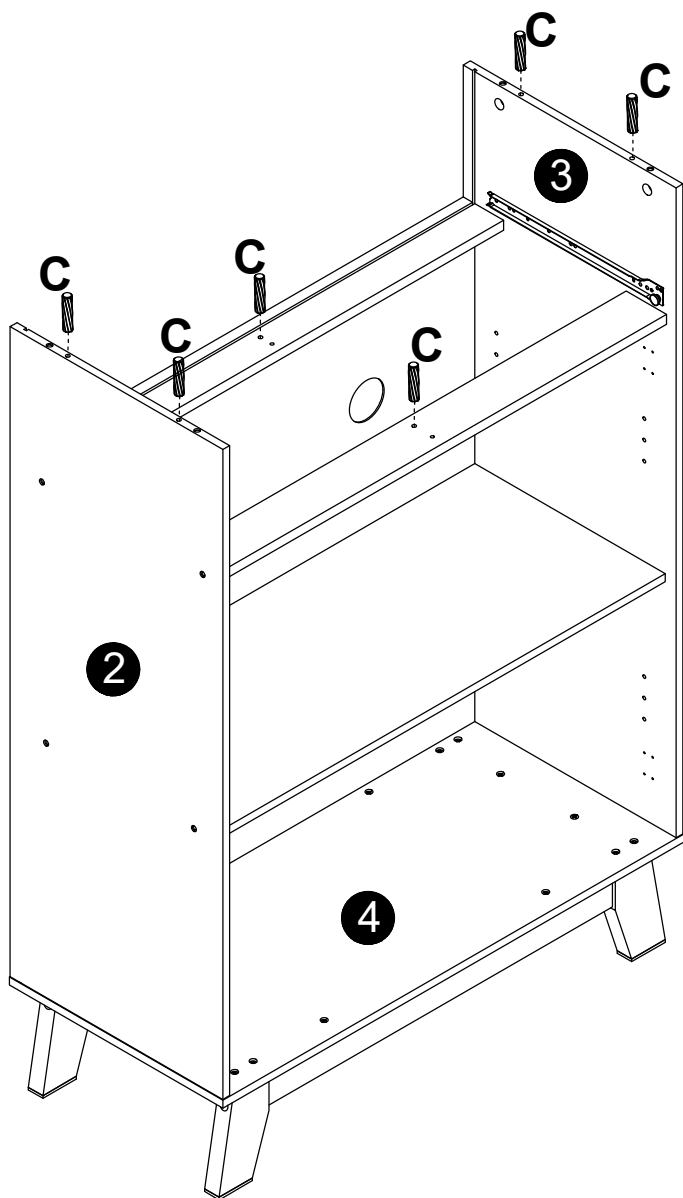
Notice



C x6



Note: At least two people are required for this step.



E x6



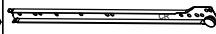
CL x1

300mm

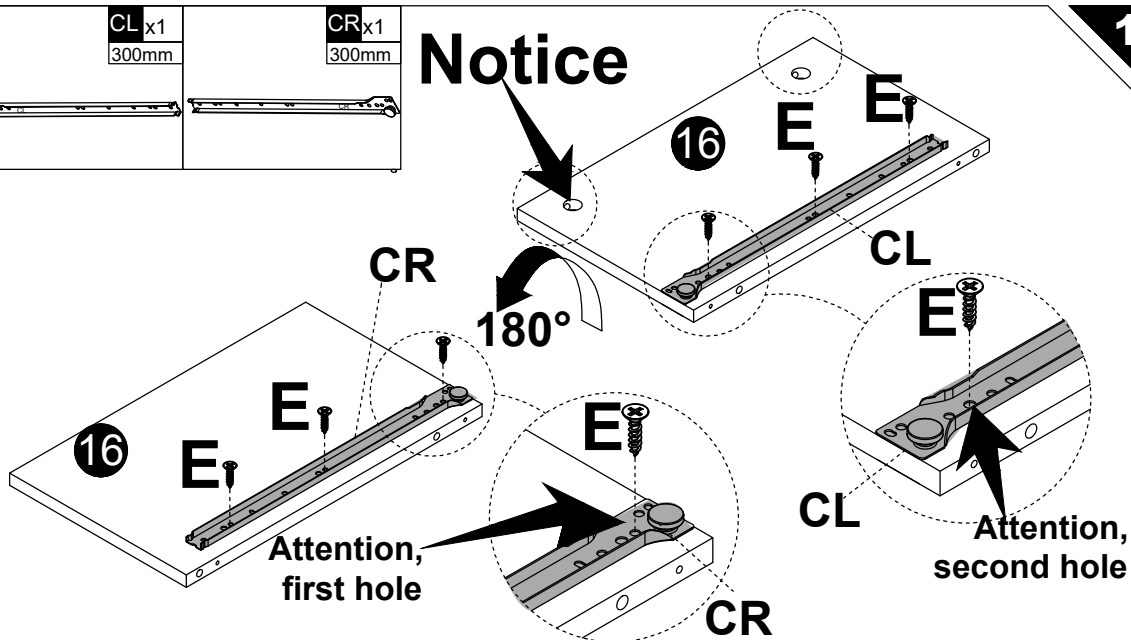


CR x1

300mm

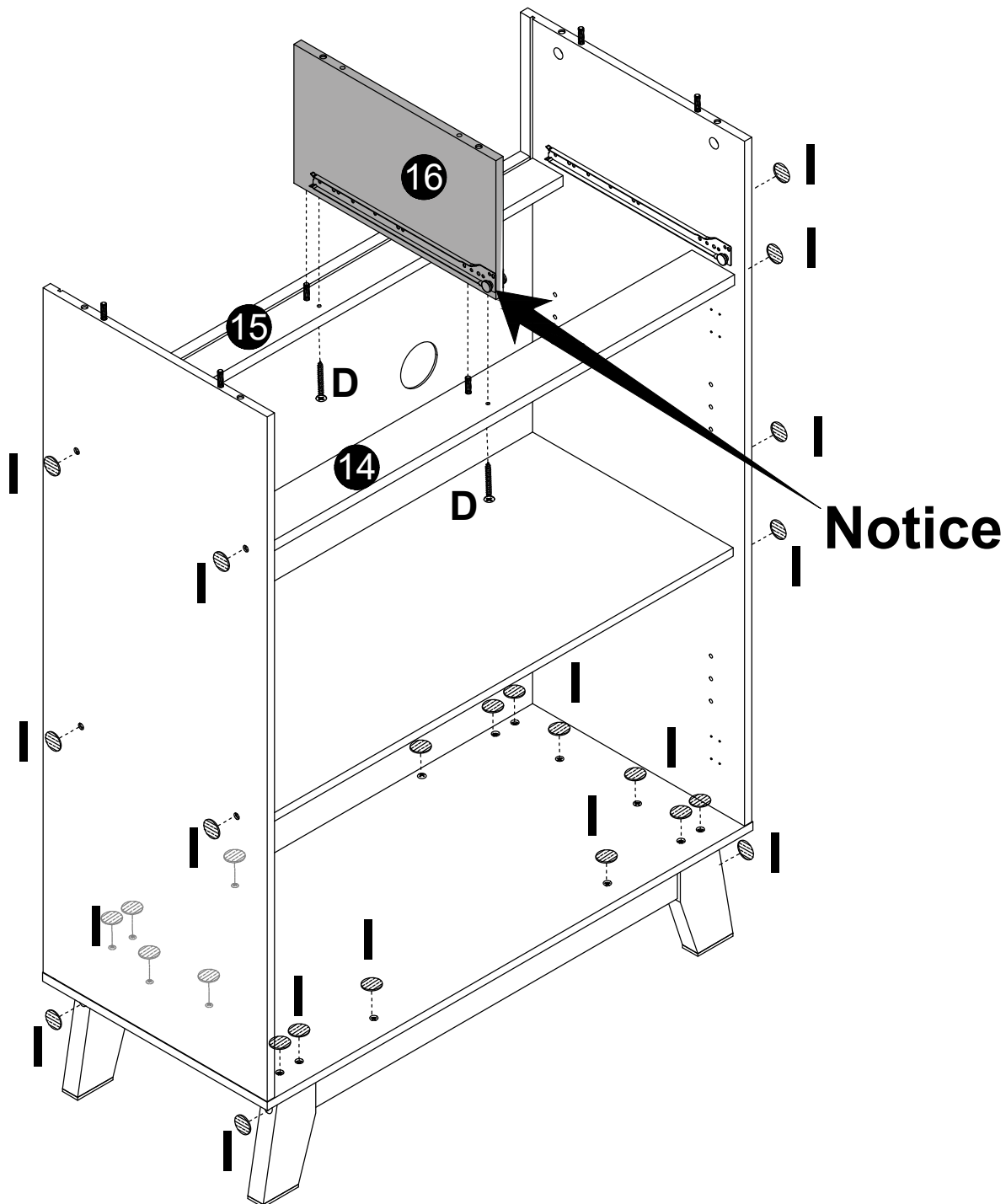
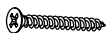


Notice



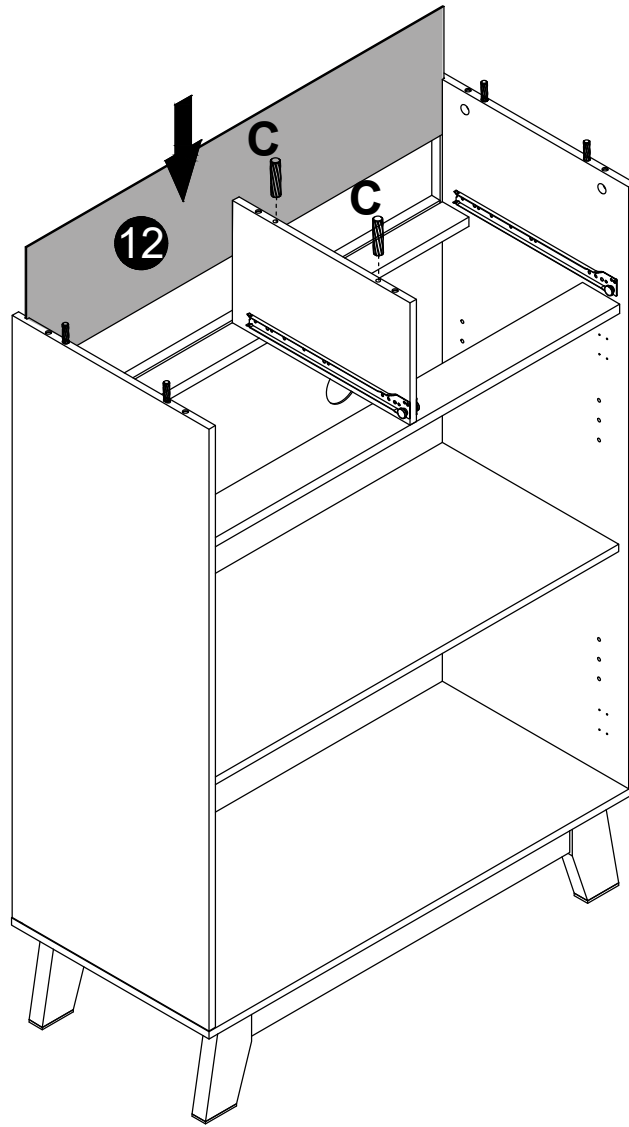
D x2

I x28
Ø20mm

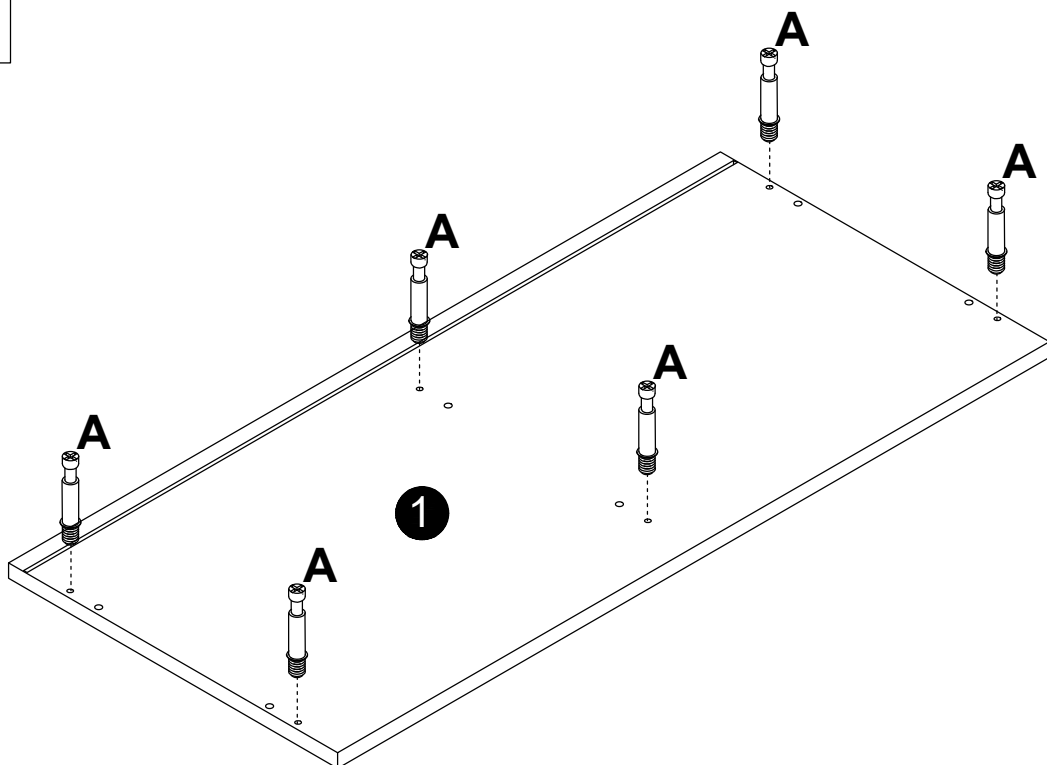
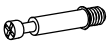


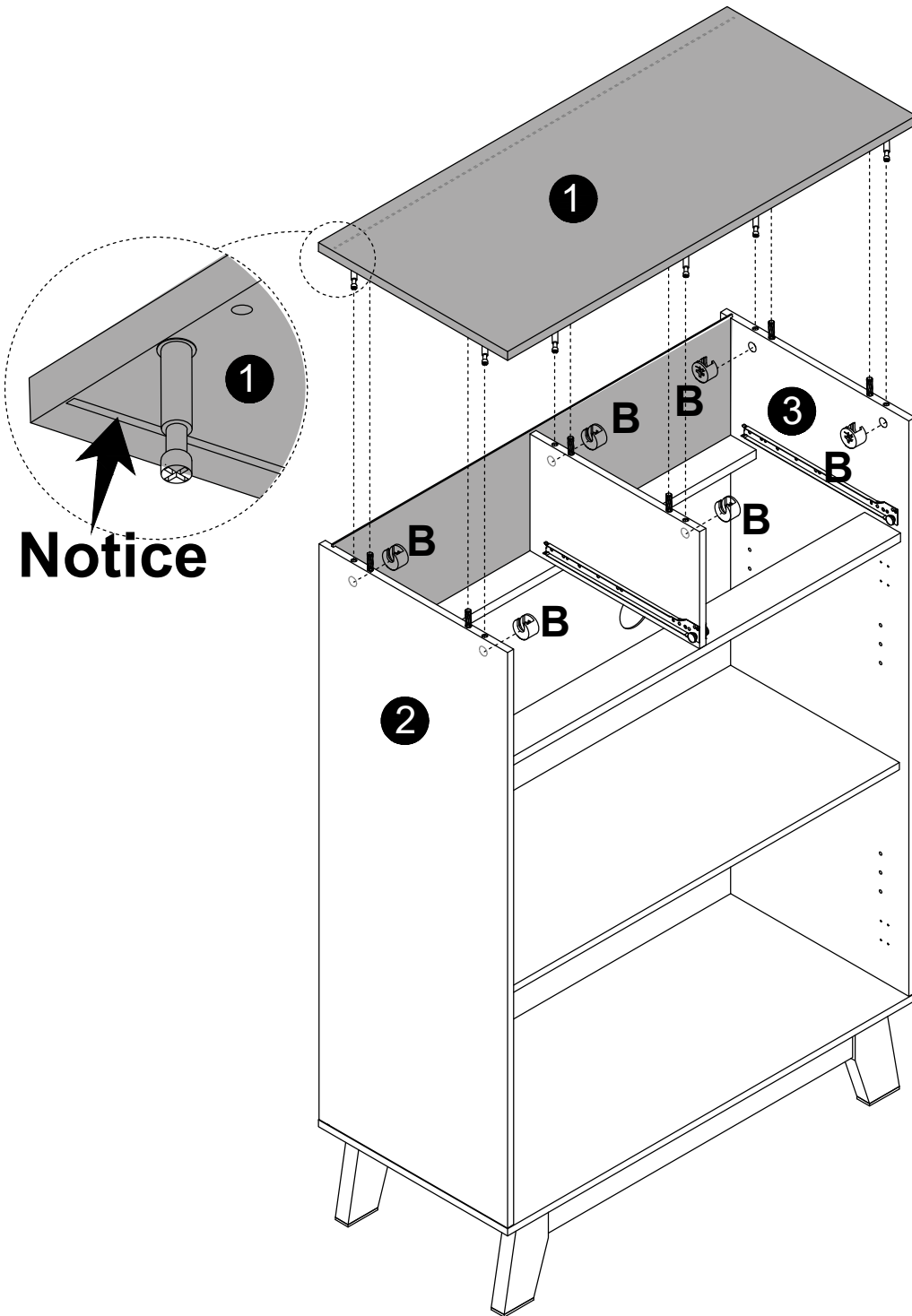
Notice

C x2

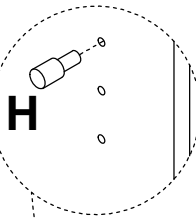
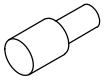


A x6

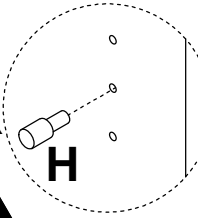




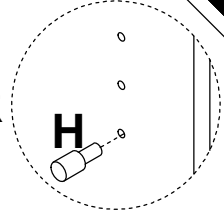
H x8



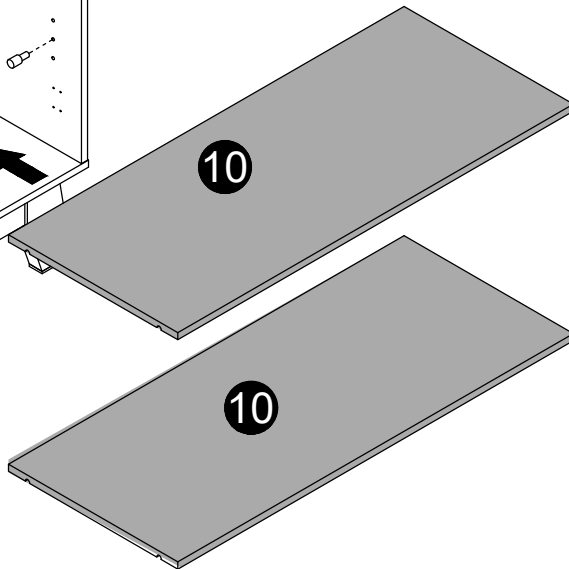
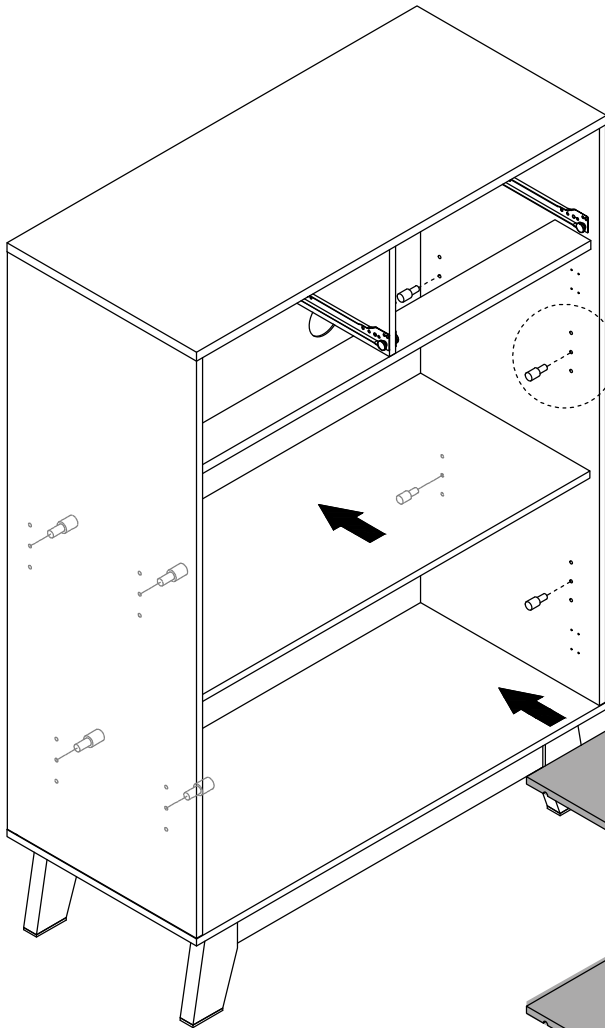
OR



OR



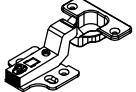
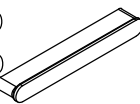
Please insert accessory H into the corresponding position according to your needs, with an adjustable distance of 32mm for each one.



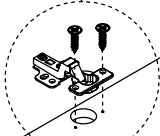
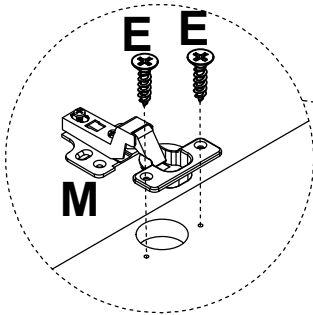
E x8

F x2

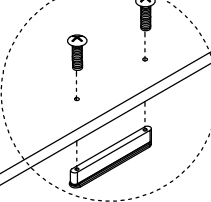
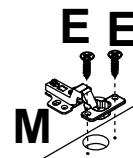
M x4



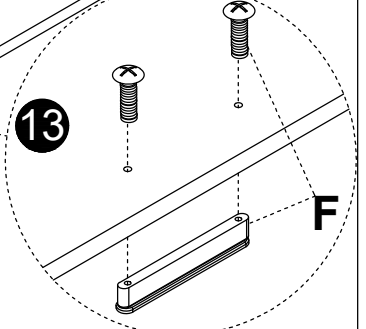
x2

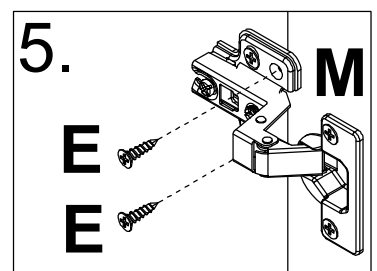
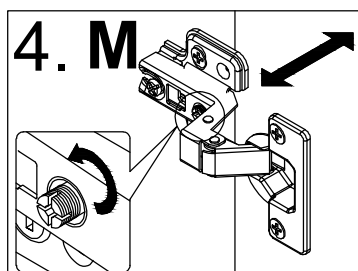
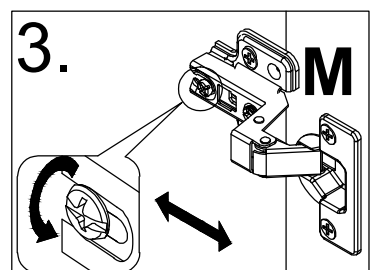
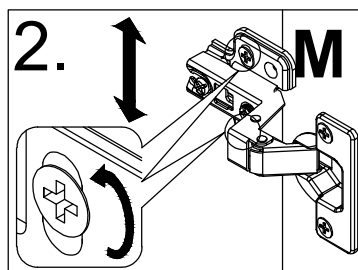
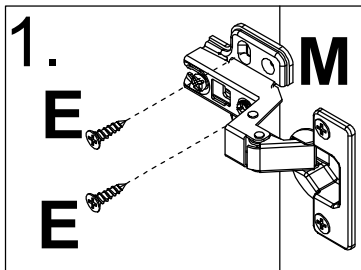
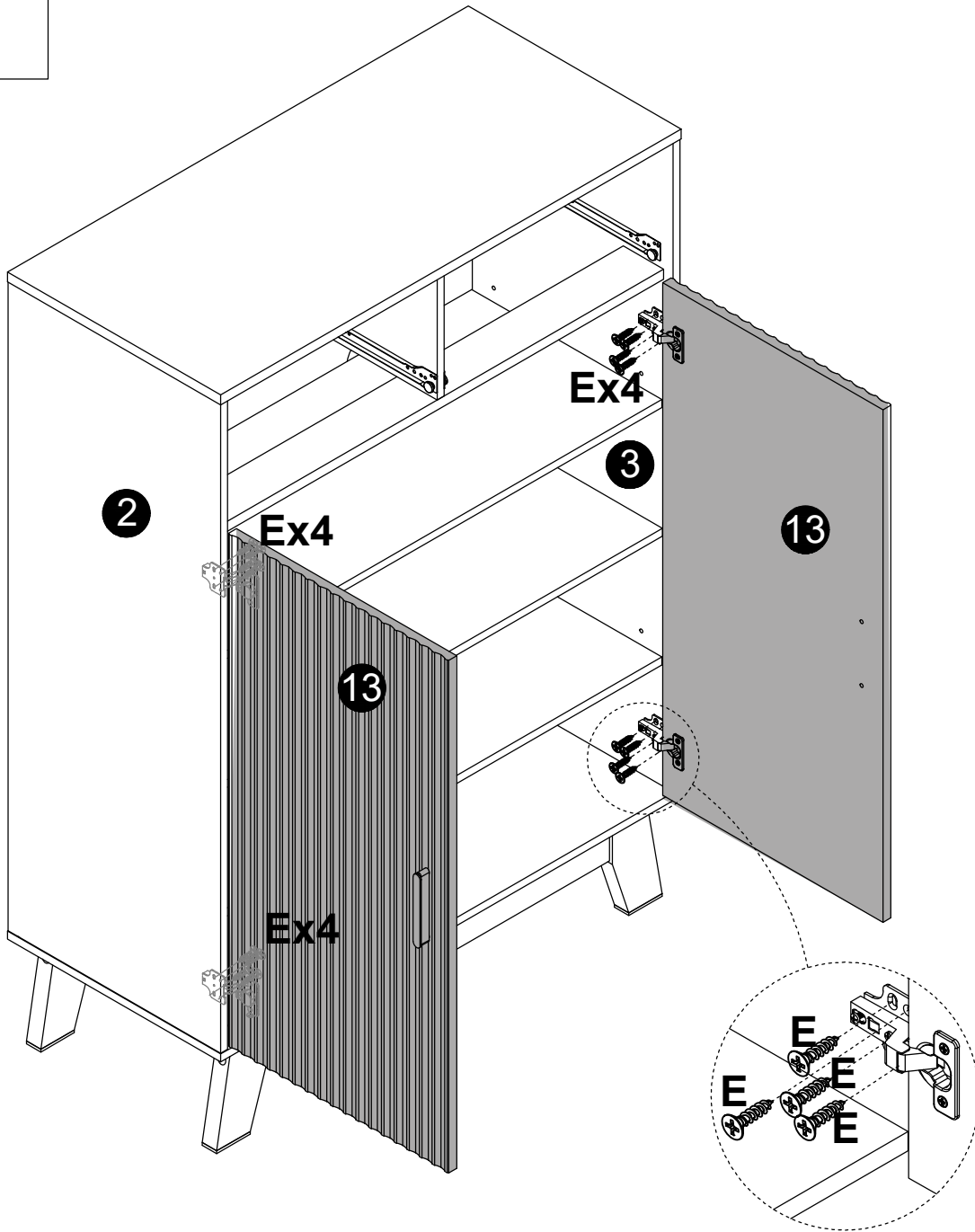


13



13

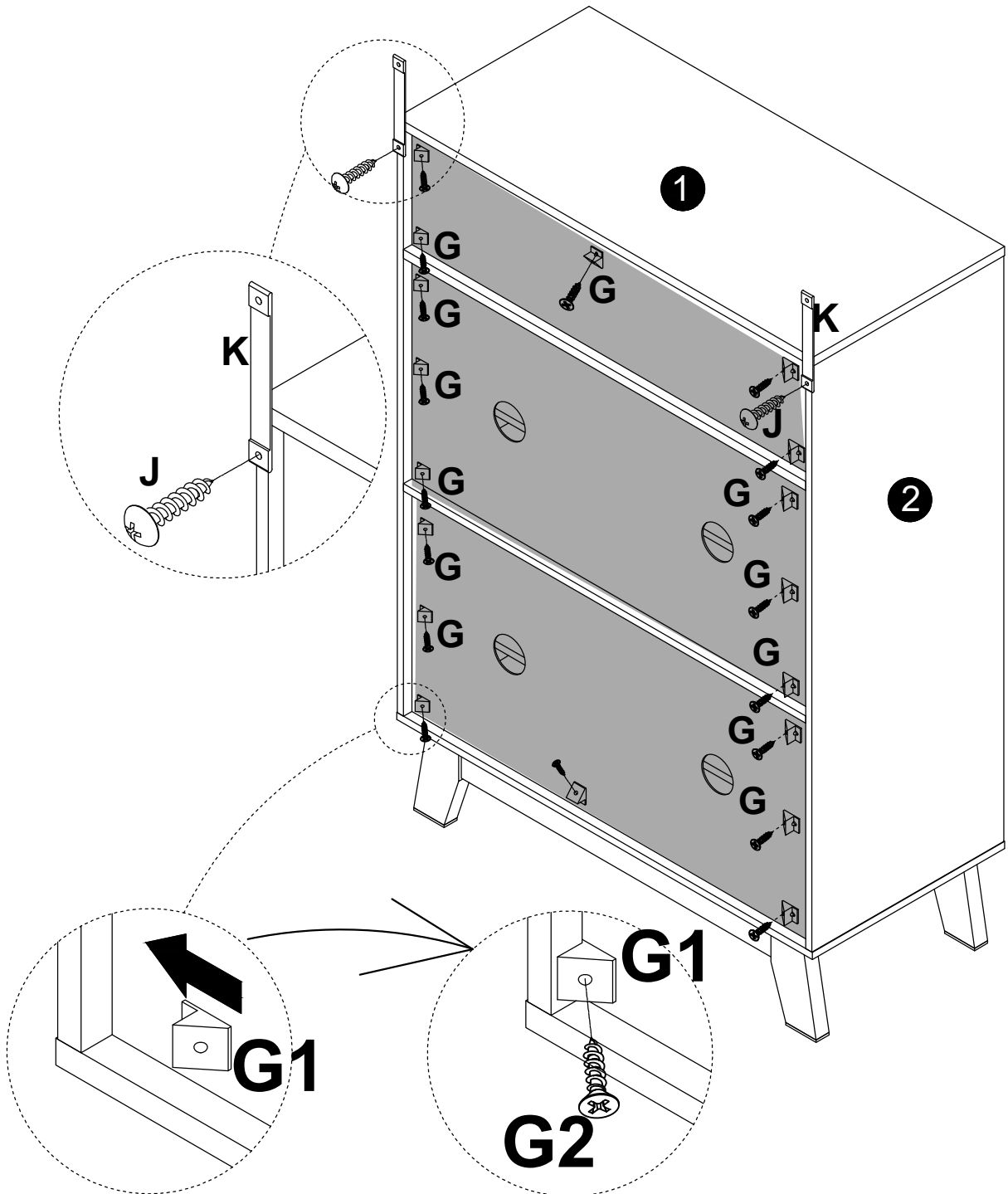
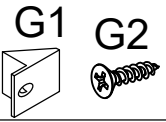




G x18

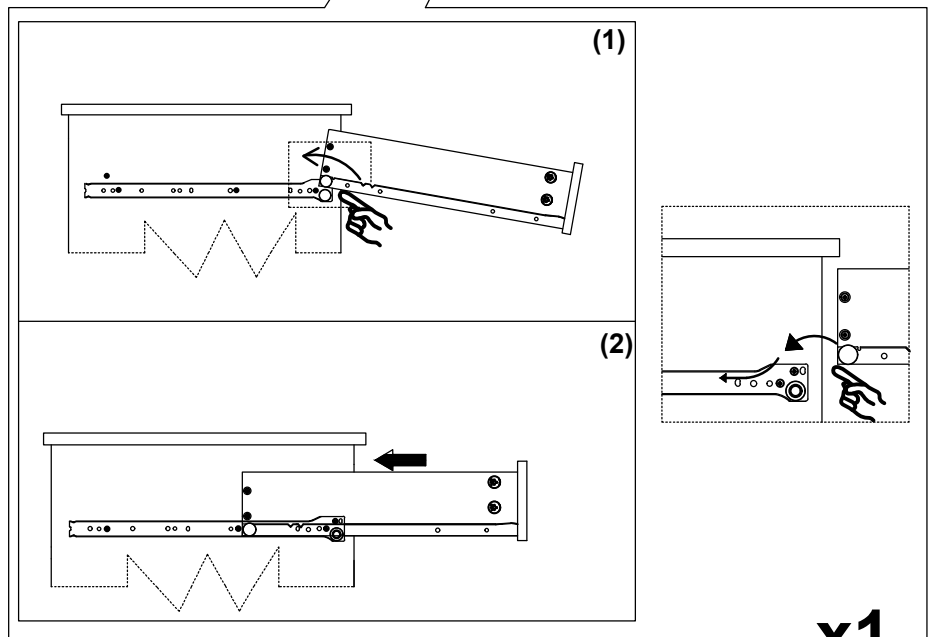
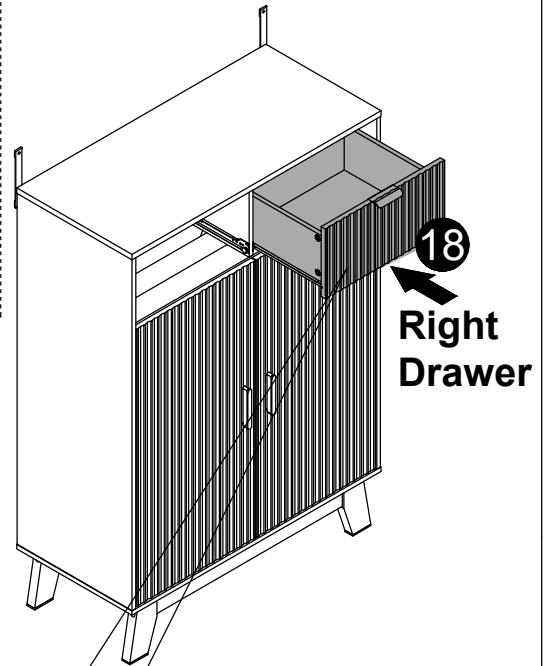
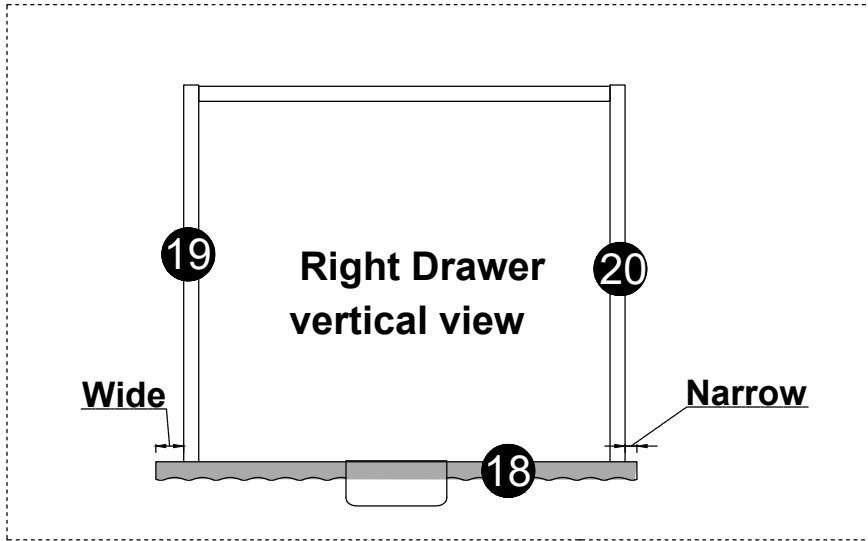
J x2

K x2



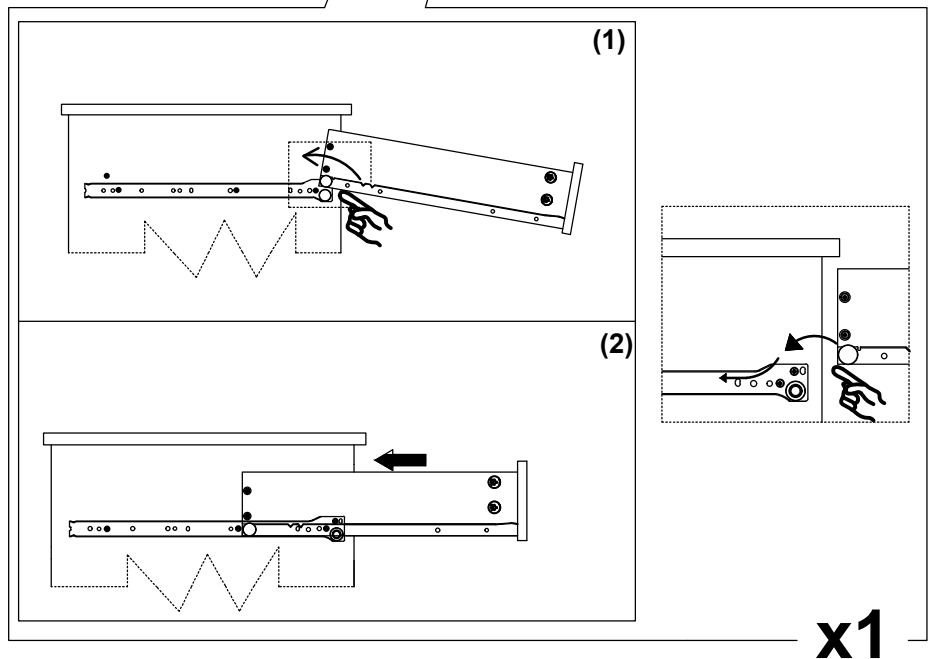
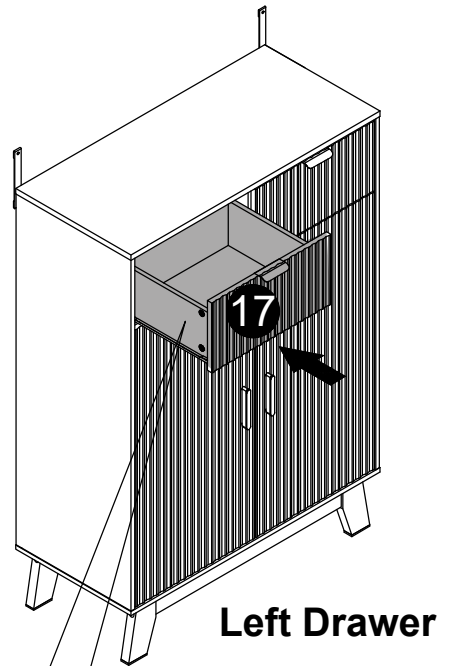
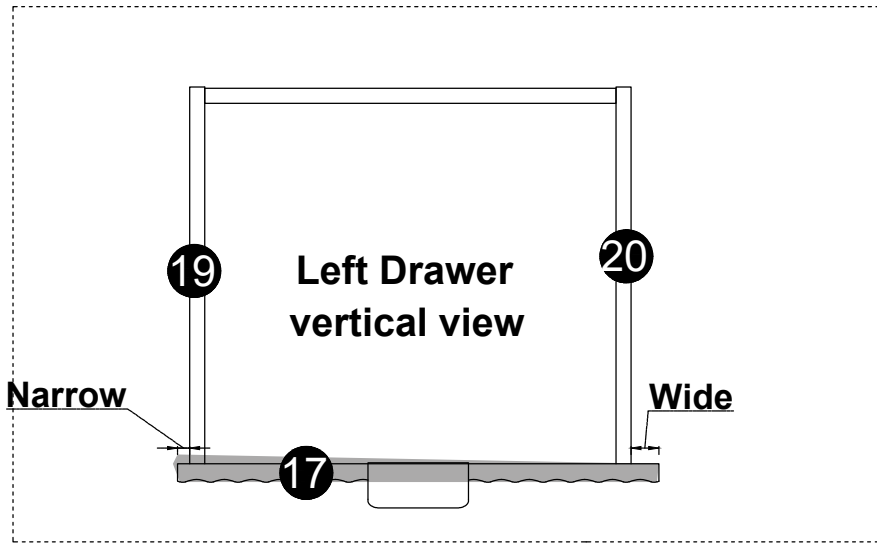


Attention: The drawer is divided into two parts, left and right. This picture shows an 18th drawer installed inside the cabinet.

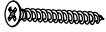




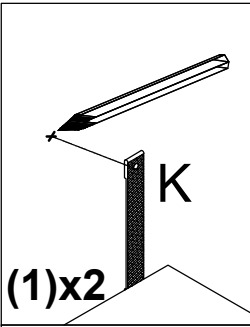
Attention: The drawer is divided into two parts, left and right,. This picture shows an 17th drawer installed inside the cabinet.



D x2

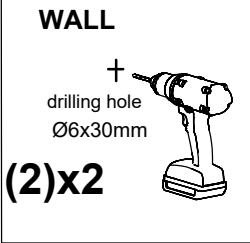


L x2



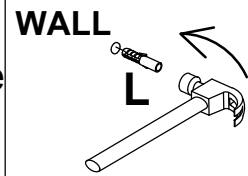
(1)x2

First, use a ruler to measure the approximate height of the product on the wall, and then mark it with a pen.



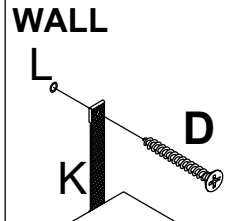
(2)x2

Then use a tape drill to make holes in the wall that are suitable for the product screws.



(3)x2

Then, put the expansion bolt into the hole



(4)x2

Finally, pass the matching screws through the "anti-rewind" and tighten them to fix them on the wall.

