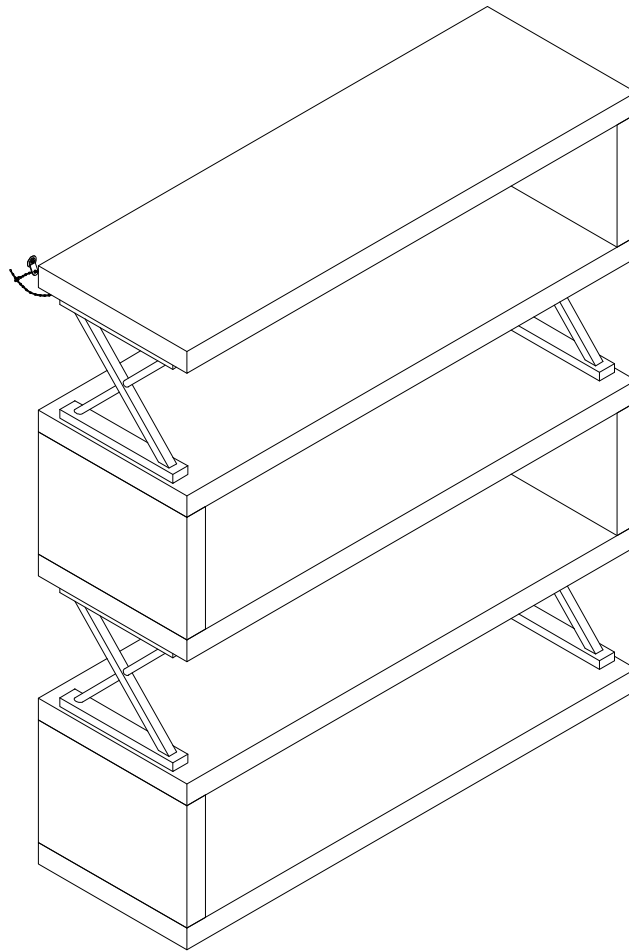


Assembly Instructions



ASSEMBLY RATING

The Assembly Rating is a 5-point system that shows the degree of effort needed in assembling a specific product (with 1 being easy and 5 being difficult). For some products, two persons are recommended.

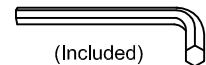
EASY



DIFFICULT

Tools Required For Assembly:

Allen Wrench

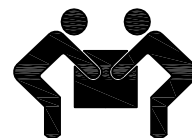


(Included)

Phillips Screwdriver



(Not Included)



2 PERSONS RECOMMENDED

ASSEMBLY & CARE ADVICE

FOR YOUR FURNITURE TO LAST, CORRECT ASSEMBLY AND PROPER MAINTENANCE ARE NECESSARY. PLEASE FOLLOW THE INFORMATION PROVIDED BELOW TO FULLY ENJOY YOUR FURNITURE.

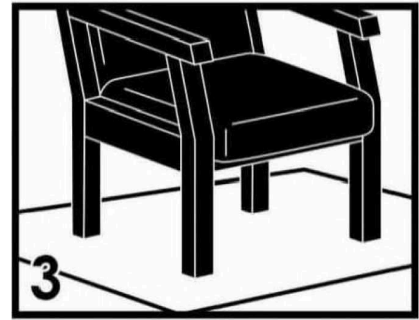
BASIC ASSEMBLY TECHNIQUES



When lock or spring washer is used in an assembly, please make sure the lock or spring washer is placed between the larger flat washer and the head of the screw or bolt.



Position each part correctly and insert screws or bolts into their respective holes by hand tighten or using the proper hand tool. Only tighten when step is completed or when instructed to do so.



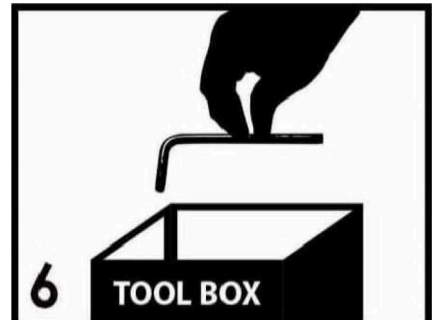
Use cardboard or carpet area when assembling furniture to prevent scratches. Make sure the furniture rests on a flat and level surface with each leg evenly touching the floor.



Some furniture comes with height adjustment knobs underneath each leg. To lower or to raise each leg, you need to turn clockwise or counterclockwise, respectively.



Make sure all parts are properly aligned, then use the appropriate hand tool to completely tighten the bolts or screws. Do not use power tools and do not overtighten.

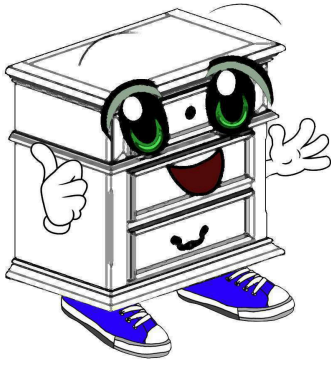


Save the instructions and store the Allen wrench or any supplied tool for later maintenance. After two weeks, check and tighten any loose hardware and repeat again every six months thereafter.

IT IS THE USER'S RESPONSIBILITY TO MAINTAIN THE FURNITURE. THE HARDWARE MAY LOOSEN OVER TIME AND MAY CAUSE THE FURNITURE TO BE WOBBLY AND UNABLE TO SUPPORT ITS INTENDED WEIGHT CAPACITY. THIS MAY LEAD TO COLLAPSE AND MAY CAUSE SERIOUS INJURY.



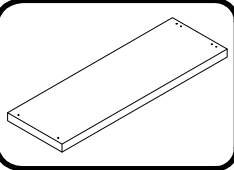
FAILURE TO FOLLOW THE GUIDELINES ABOVE MAY RESULT IN INJURY AND/OR PROPERTY DAMAGE.



Before you begin, please read Page 2 of "Assembly and Care Advice".

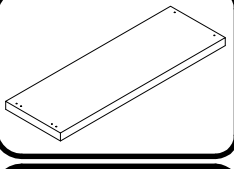
And remember, do not tighten until each step is completed or instructed.

Parts List



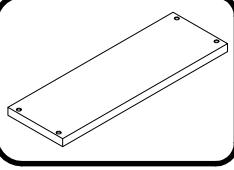
#1 x 1pc

Top Panel



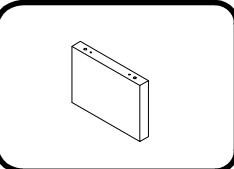
#2 x 3pcs

Shelf



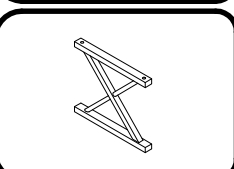
#3 x 1pc

Bottom Panel



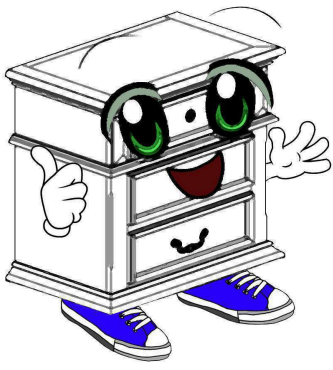
#4 x 4pcs

Side Panel



#5 x 4pcs

Side Frame



Before you begin, please read Page 2 of "Assembly and Care Advice".

And remember, do not tighten until each step is completed or instructed.

Hardware List



#A x 2pcs
Bolt 1/4" X 1-3/8"



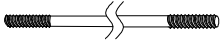
#B x 2pcs
Bolt 1/4" X 2-1/8"



#C x 8pcs
Nut M6x22



#D x 2pcs
Rod 1/4" X 14-3/8"



#E x 2pcs
Rod 1/4" X 15-1/8"



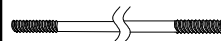
#F x 4pcs
Washer



#G x 16pcs
Dowel



#H x 1pc
Allen Wrench M4



#I x 4pcs
Rod 1/4" X 16-1/8"



#J x 1pc
Screw M4x37



#K x 2pcs
Metal Plate



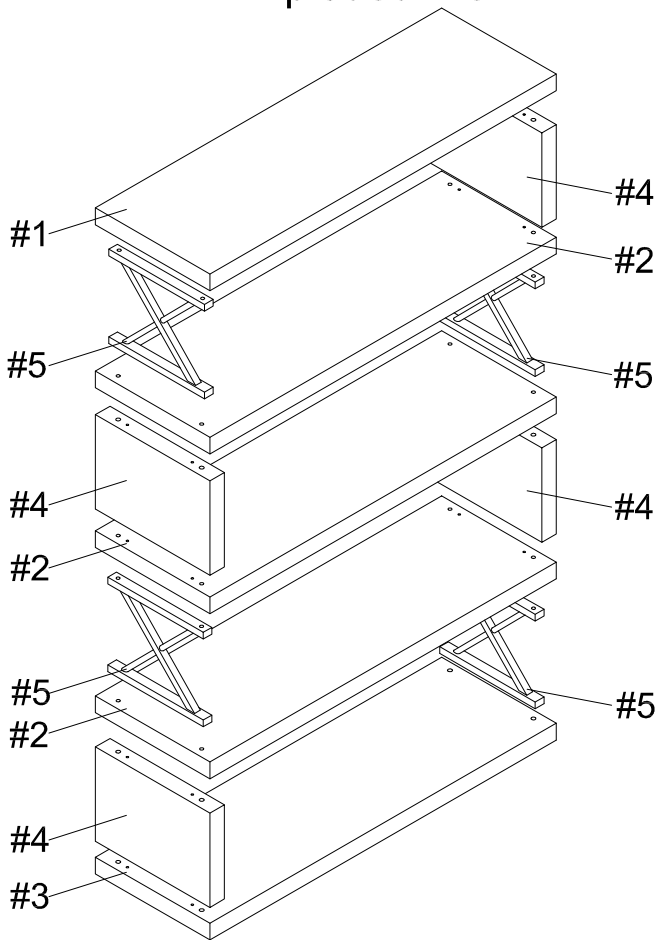
#L x 1pc
Anchor



#M x 1pc
Girding

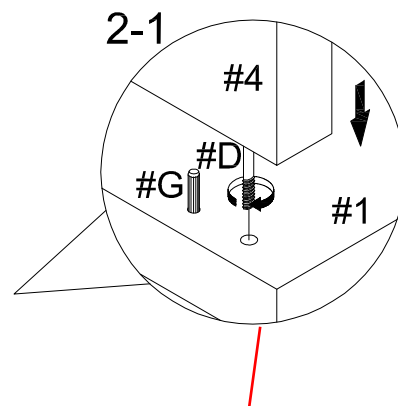
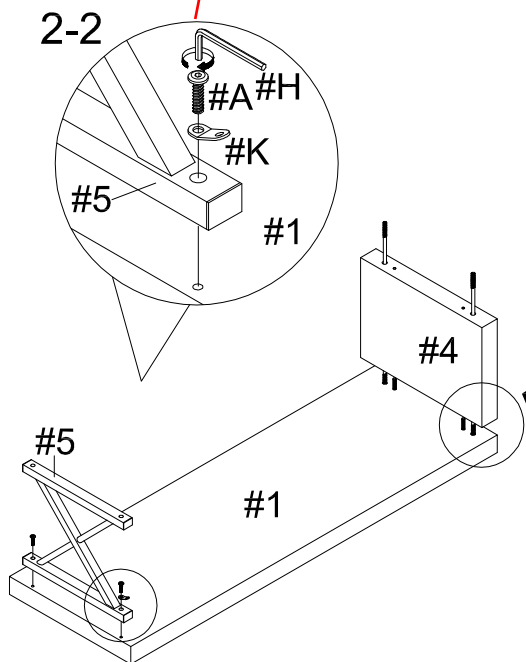


Exploded View



2) Align side frame (#5) to the holes of the top panel (#1), then secure by using bolts (#A).

- #A x 2pcs
- #D x 2pcs
- #G x 2pcs
- #K x 1pc



1) Attach dowels (#G) and shorter rods (#D) to the holes of the top panel (#1), then attach side panel (#4) to top panel (#1).

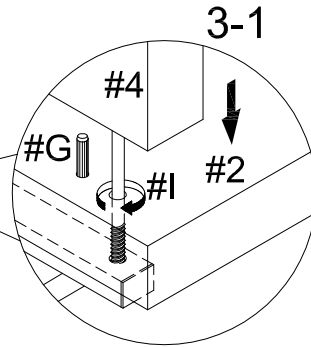
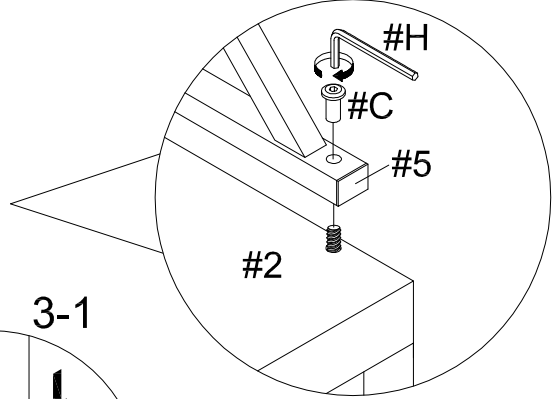
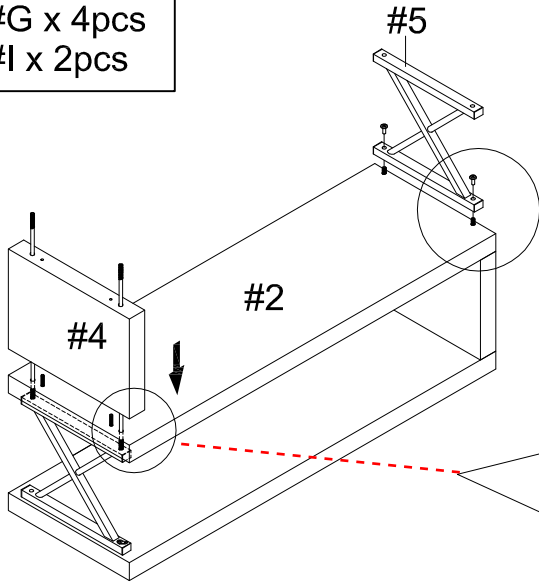


#3

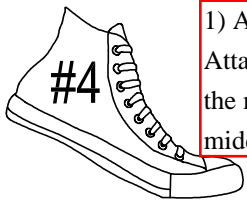
#C x 2pcs
#G x 4pcs
#I x 2pcs

2) Align side frame (#5) to the rod sticking out of middle panel (#2).
Secure by using bolt caps (#C).

3-2



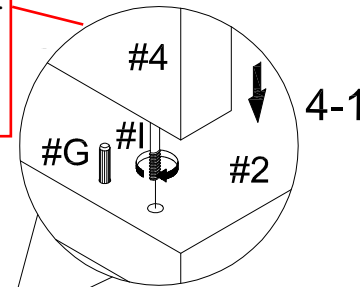
1) Align middle panel (#2) to the holes of the top frames. Attach longest rod (#I) and dowels (#G) to the holes of the middle panel (#2), then insert side panel (#4) onto middle panel (#2).



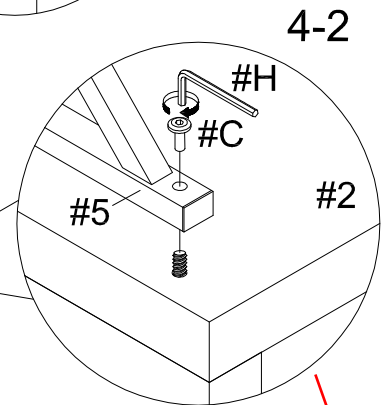
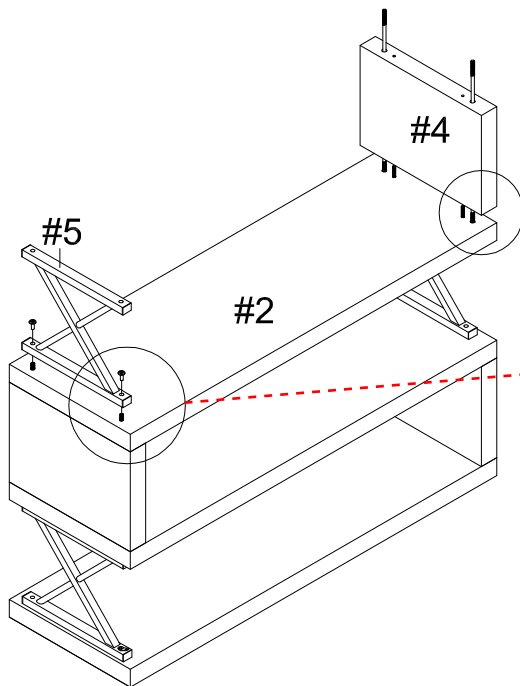
#4

1) Align middle panel (#2) to the holes of the top frames. Attach longest rod (#I) and dowels (#G) to the holes of the middle panel (#2), then insert side panel (#4) onto middle panel (#2).

#C x 2pcs
#G x 4pcs
#I x 2pcs



4-1

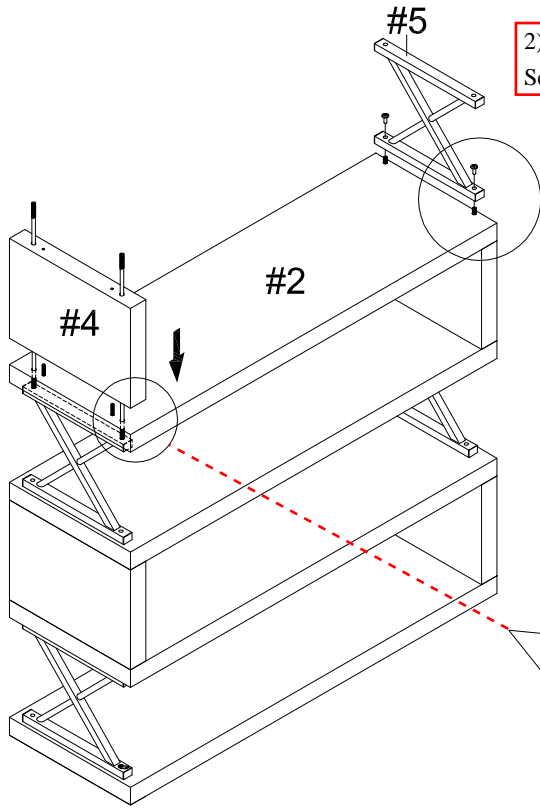


4-2

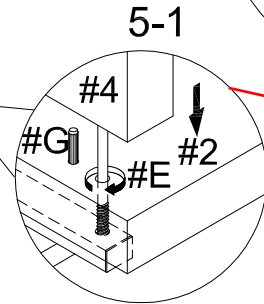
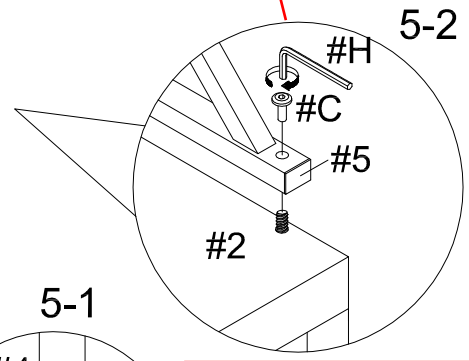
2) Align side frame (#5) to the rod sticking out of middle panel (#2). Secure by using bolt caps (#C).



#C x 2pcs
#E x 2pcs
#G x 4pcs



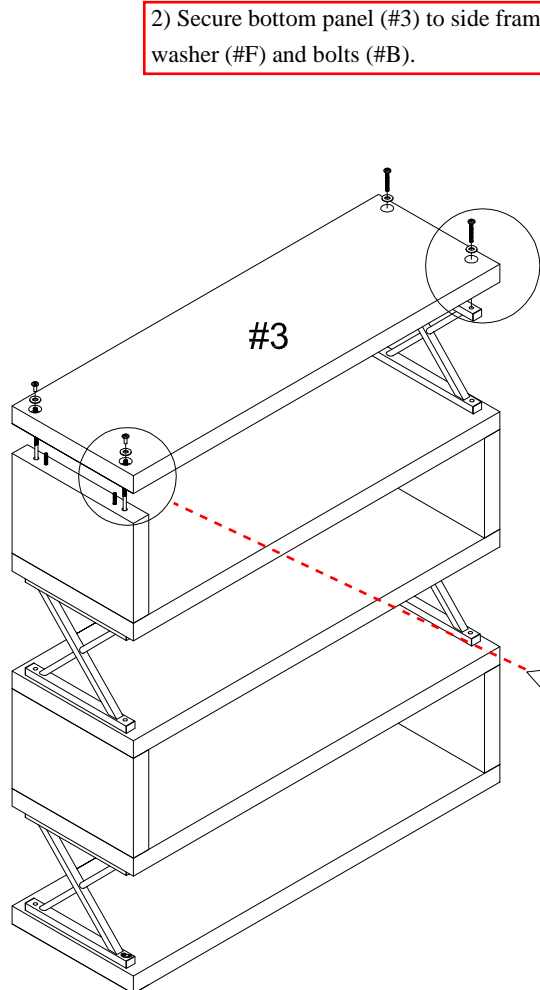
2) Align side frame (#5) to the rod sticking out of middle panel (#2). Secure by using bolt caps (#C).



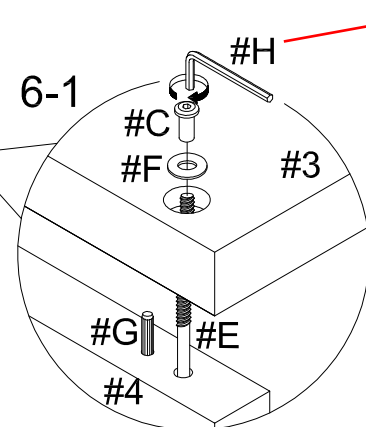
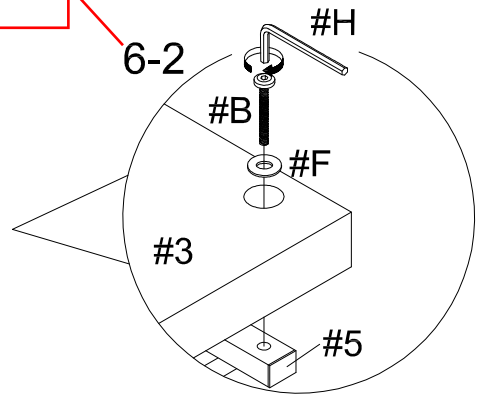
1) Align middle panel (#2) to the holes of the top frames. Attach middle length rod (#E) and dowels (#G) to the holes of the middle panel (#2), then insert side panel (#4) onto middle panel (#2).



#B x 2pcs
#C x 2pcs
#F x 4pcs
#G x 2pcs



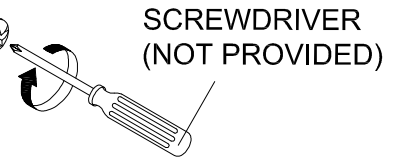
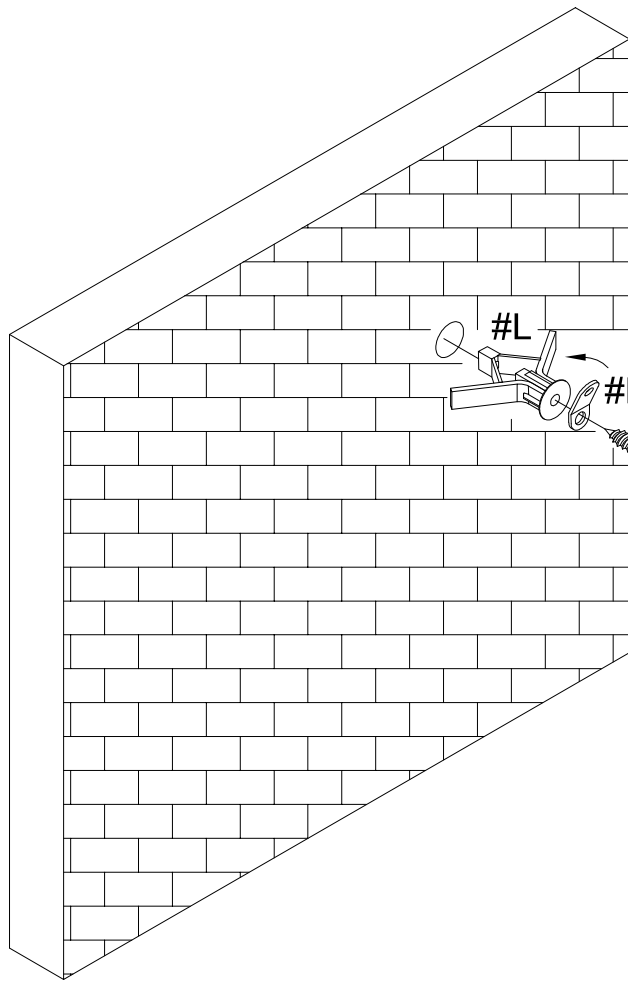
2) Secure bottom panel (#3) to side frame (#5) by using washer (#F) and bolts (#B).



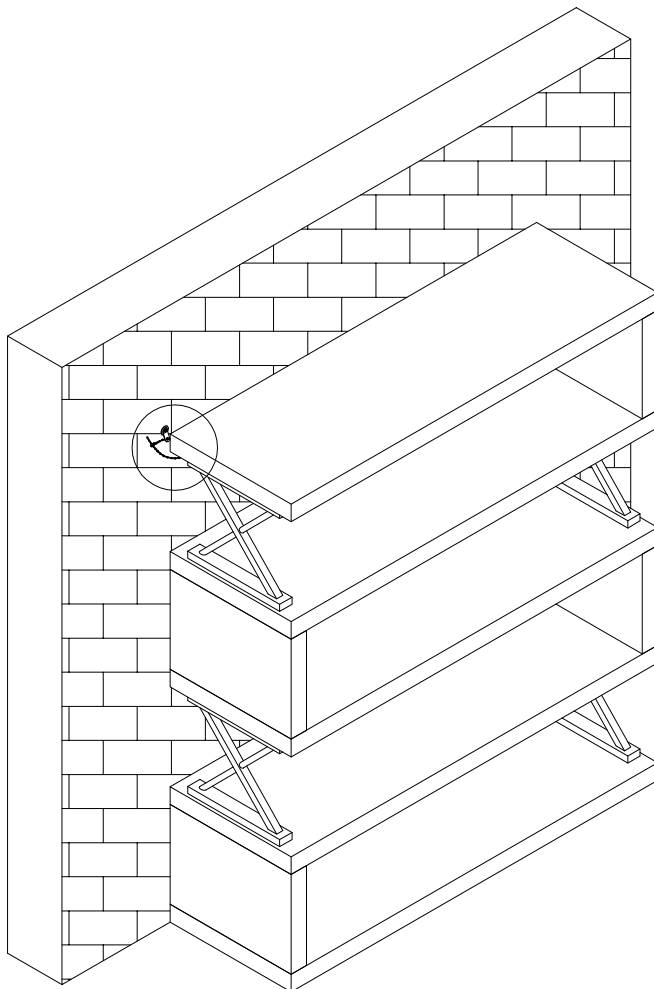
1) Attach dowels (#G) onto side panel (#4), then align bottom panel (#3) to the holes of the side panel (#4) and frame (#5). Secure bottom panel (#3) to side panel (#4) by using washer (#F) and bolt end (#C).



#J x 1pc
#K x 1pc
#L x 1pc



#M x 1pc



To Prevent Tip over
Product Must Be
Attached To Wall

