

Manual for Home Ice Machine

ZSW-ZB11
ZSW-ZB12
ZSW-ZB13
ZSW-ZB14

Dear customer: To ensure that you can use this product correctly, please read this manual carefully before use.

This series of products implement the following standards:

GB4706.1-2005 "Part 1: Safety of Household and Similar Electrical Appliances General requirements"

GB4706.13-2014 Safety Precautions of "Special Requirements for Safety Refrigeration Appliance, Ice Cream Maker and Ice Machine of Electrical Appliances for Household and Similar Purposes"

Warning: The refrigerant of this product is flammable. You should pay attention to the source of fire and keep the room ventilated during maintenance.

Please do not use combustible articles to avoid fire.

Warning: The area around the machine should be free of obstructions to keep ventilation.

Warning: Except for the manufacturer's recommended method, you should not use any machinery or other means to accelerate the defrosting process.

Warning: You should not damage the cooling circuit of the machine.

Warning: No electrical appliances should be used in the food storage compartment of the machine except for the type recommended by the manufacturer.

Warning: The box insulation material is cyclopentane that is combustible, please keep away from fire sources.

Burning is prohibited, and it is recommended to ask a professional staff to handle it when the box is discarded.

Warning: No explosives, such as flammable sprays, should be stored in the appliances.

Warning: The product can be filled with drinking water only.

Warning: The refrigeration system contains high-pressure refrigerant, and should not be damaged. The maintenance of the refrigeration system should be done by professional staff.

Warning: If the power cord is damaged, it should be replaced by the professional staff of the manufacturer, its maintenance department or similar departments to avoid danger.

This appliance is used for following household and similar purposes:

--Kitchen areas in stores, offices or other workplaces.

--Farms, hotels, motels and residential environments.

--Homestay type environments.

--Restaurants and similar non-retail applications.

Table of contents

Important safety tips..... 2

Getting to know your ice machine initially..... 2

Operating procedures and maintenance..... 3

Function introduction..... 4

How to use your ice machine..... 7

Fault treatment..... 8

Technical data and electrical principle schematics..... 9

Warranty Description..... 11

Important safety tips

Your personal safety and the safety of others are of the utmost importance.

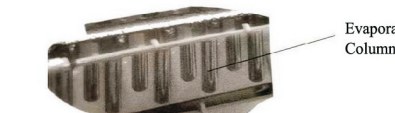
We have prepared a number of safety tips about this machine.

Please be sure to read and follow these tips. ⚠

All safety warnings will be followed by this symbol or "Danger", "Warning", etc.

If you do not follow these safety instructions, you may be seriously injured.

All safety warnings describe potential hazards, tell you how to reduce your chances from being hurt, and tell you what can happen if you do not follow the safety warnings.



Do not touch the evaporator while the ice machine is in use or making ice, because this could freeze your skin.

When using household appliances, basic safety rules must be followed to reduce the chance of fire, electric shock and injury to people or objects. Please read the following safety tips carefully before using this appliance.

● Do not use or operate the appliance if the power cord is damaged.

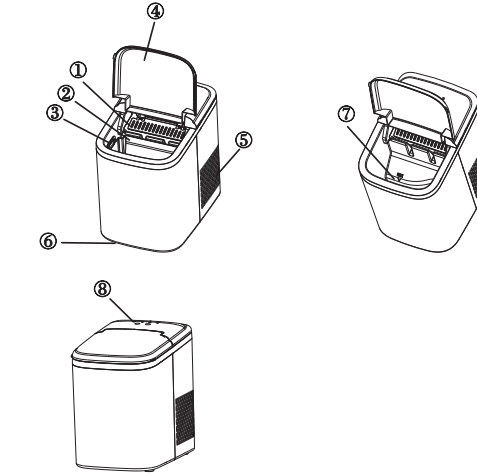
● Use the correct power socket and ensure that the power plug is fully inserted into the socket.

● Do not place the power cord on the carpet or insulated objects when in use, and do not cover the power cord. The power cord should be out of the walkway and should not be submerged in water.

- Do not use the extended cord, which may cause overheating or fire. If you must use them, please use extended cord of more 1.5 square.
- Please power off before cleaning or maintenance.
- When there are children nearby, be sure to have adult supervision before use.
- Do not clean the ice machine with flammable liquids because this may cause a fire or explosion.
- Do not turn the ice machine over. If the ice machine is turned over, please place the machine in a positive position for 2 hours before turning it on.
- The voltage range for this machine is 220V-240V/50Hz-60Hz

Operation steps and maintenance

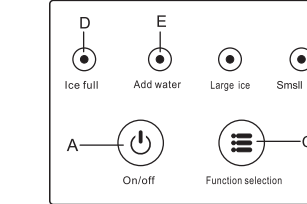
- Ice shovel: Shovel the ice cubes into the ice basket.
- Infrared ray is used to detect the ice full sensor: ice blocks infrared reception, and the lamp is lighted if the ice on the display panel is full.
- Ice basket: used to store and move ice.
- Top cover: have a transparent window so that its interior is clearly visible.
- Wind network: ensure that the wind moves smoothly, and it should be more than 15cm away from an object.
- Drainage plug: if it is downward pulled, the water in the water tank can be discharged.
- Water cap position: add water to the "MAX" scale.
- Control panel:
 - On/off
 - Power indicator: The indicator light is on after power on
 - Ice full indicator light
 - Ice full indicator: indicates that the ice cubes in the ice blue are full.
 - Low water indicator: prompts you to add water to the tank



Function introduction



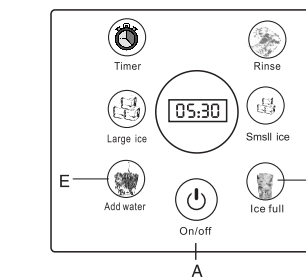
ZSW-ZB11



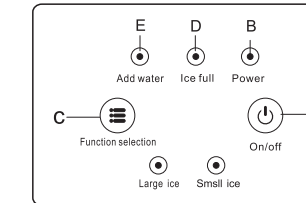
Function introduction



ZSW-ZB12



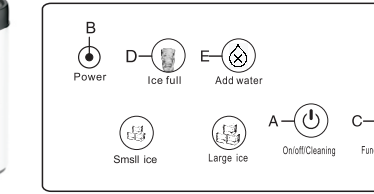
ZSW-ZB13



Function introduction



ZSW-ZB14



Open the package

- Remove all internal and external packaging. Check for the presence of the ice basket and the ice scoop. If any accessories are missing, please contact customer service.
- Remove the ice basket and scrub it in warm water, then wash the water tank with warm water and a piece of soft cloth.
- Clean the evaporator column with water or alcohol.
- Place the ice machine in a place where the sun does not shine directly on it and place it away from heat and radiation. Place the ice machine horizontally and make sure that there is at least 15cm clearance between the sides and the rear.
- Place the ice machine in a location with a suitable socket for electricity.

Power up the ice machine

DANGER

*Misuse of the ground wire may have a risk of electric shock. If the power cord is damaged, please contact the after-sales service department.

- For safety, the ice machine must be reliably grounded.
- The machine requires a standard 220-240V/50Hz-60Hz/10A power supply with grounding.

Ice machine cleaning: Before using the ice machine, it is highly recommended that you should thoroughly clean the entire machine.

- Remove the ice basket.
- Open the drainage plug and drain the water tank.
- Scrub the inner frame with diluted detergent, warm water and a piece of soft cloth.
- The exterior of the machine should be scrubbed frequently with diluted detergent and warm water.
- Dry the inner container with another piece of soft cloth.
- Close the drainage plug.

When the machine is not used for a long time, drain the water from the inner container and wipe it dry.

How to use your ice machine

- Open the upper cover, take out the ice basket and fill the water tank with water to keep the water level below the maximum water level mark, then put the upper cover back the ice basket and close the upper cover.
- Press the "On/Off" button on the control panel to start to make ice.
- Each ice-making cycle lasts from 6 to 12 minutes, depending on the size of the ice cubes and the room temperature. The ice cubes are also related to the water and ambient temperatures.
- After the ice machine starts, the water level in the water tank needs to be checked frequently. If the water pump does not produce water, the ice machine will stop automatically. If the "water shortage" indicator light is on to indicate water shortage, fill up the water tank with water. Press the "on/off" button again to restart making ice.
- If the ice basket is full with ice cubes, the ice making will stop automatically and the "ice full" light will be on. When the ice position is lower than the infrared detection position, the machine will work again.
- It is recommended to change the water once every 24 hours to keep the water clean. If the ice machine is not used for a long time, please empty the remaining water in the water tank.

Suggestion: Use water that can be directly consumed.

Fault treatment

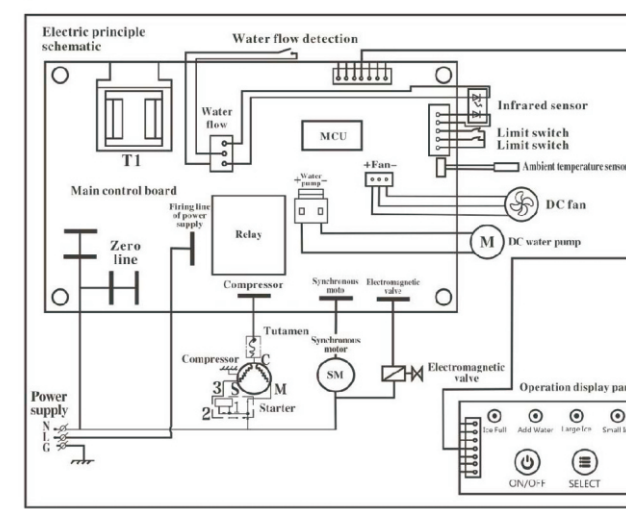
| Fault phenomena | Possible causes | Solution |
|--|---|--|
| The "water shortage" indicator light is on | <ol style="list-style-type: none"> Water shortage. The filter net at the bottom of the water tank is blocked off. Clean. | <ol style="list-style-type: none"> Stop to make ice, add water, and press "on/off" button to start to make ice. Remove ice cubes from the ice basket. |
| The "ice full" indicator light is on. | <ol style="list-style-type: none"> Too much ice in the ice basket. The ice full sensor fails, no ice and the ice full indicator light is always on. | <ol style="list-style-type: none"> Press and hold the "On/Off" button for more than 5 seconds to force the ice machine to turn on and run for 13 cycles, or contact the manufacturer to replace the sensor. |
| "Ice full" indicator light flashes. | Ice shovel is stuck. | If the ice cubes stick the shovel, remove the ice cubes. Otherwise, consult after-sales service department. |
| Ice blocks are connected. | The ice making cycle is too long. The evaporator is immersed into the ice box too much. | Replace the water in the water tank. Water temperature should preferably be between 8°C and 32°C. |
| Ice is full but the indicator is not on. | The machine is located in a place with strong light, which affects the infrared detection. | Move the machine to a darker place. |
| The ice making process is normal, but no ice cubes is generated. | Ambient temperature or water temperature is too high. | Please make ice when the ambient temperature is lower than 32°C, and add a certain amount of cold water to the water tank. |
| | The refrigeration system leaks. | Contact the after-sales service personnel. |
| | The refrigeration system is clogged. | Contact the after-sales service personnel. |

Technical parameters and electric principle

| Technical parameters | | |
|------------------------------------|------------------------------------|-------------------|
| Model | ZSW-ZB11/ZSW-ZB12 | ZSW-ZB13/ZSW-ZB14 |
| Climate type | SN/N/ST | SN/N/ST |
| Safety class | I | I |
| Power supply | 220-240-50Hz/60Hz or 110-120V-60Hz | |
| Rated current | 0.7A | 0.7A |
| Rated power | 95W | 95W |
| The maximum amount of water volume | 1.5L | 1.2L |
| Refrigerant / liquid quantity | R600a/23g | R600a/23g |
| Foaming agent | Cyclopentane | Cyclopentane |
| Net weight | 7.0kg/7.3kg | 6.1kg/6.7kg |
| Housing | Case ABS | Case PP |



Electric principle schematic



This place is filled in by the maintenance department, you can save it and it is not for settlement.

Fault phenomenon: _____
Treatment result: _____
Repair date: _____ Maintenance personnel signature: _____

Fault phenomenon: _____
Treatment result: _____
Repair date: _____ Maintenance personnel signature: _____

Fault phenomenon: _____
Treatment result: _____
Repair date: _____ Maintenance personnel signature: _____

Settlement voucher sheet (a)

Product model: _____ Product code: _____
Date of purchase: _____ Repair date: _____
User seal (signature): _____ Maintenance personnel signature: _____
(This sheet is for the settlement voucher sheet of the maintenance personnel)

Settlement voucher sheet (b)

Product model: _____ Product code: _____
Date of purchase: _____ Repair date: _____
User seal (signature): _____ Maintenance personnel signature: _____
(This sheet is for the settlement voucher sheet of the maintenance personnel)

Settlement voucher sheet (c)

Product model: _____ Product code: _____
Date of purchase: _____ Repair date: _____
User seal (signature): _____ Maintenance personnel signature: _____
(This sheet is for the settlement voucher sheet of the maintenance personnel)

Warranty instructions

For your convenience, please copy the product model number and factory number located on the product nameplate in the table below.

| Product Model Number | Product number |
|----------------------|----------------|
| | |

In order to avoid losing or not finding the model number and product number, which may increase your trouble in repair, you can paste the purchase invoice on this page.

The invoice is posted here

Instructions for using the warranty certificate

Dear customer:

Thank you for using our products. With this warranty certificate and invoice, from the date of sale (subject to the invoice), our company will provide you with the following services.

- One year free warranty for the whole machine.
- The main parts (compressor) have free warranty for three years.
- One of the following cases, not to implement the "three guarantees" for repair, but implement fee repair:
 - The consumer damages the machine due to improper use, maintenance and storage.
 - The machine is dismantled and damaged by the maintenance department that is not specially designated by our company.
 - Without warranty certificate and valid invoice.
 - Products with warranty certificates and invoices that do not match or are modified.
 - Damage caused by force majeure.
 - The warranty period expires.