

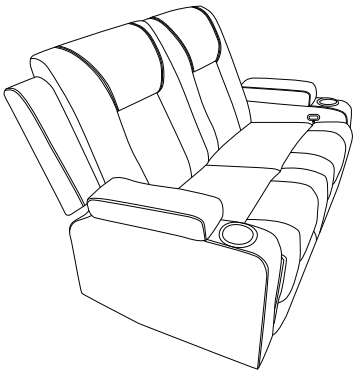
Assembly Instructions

READ THIS MANUAL

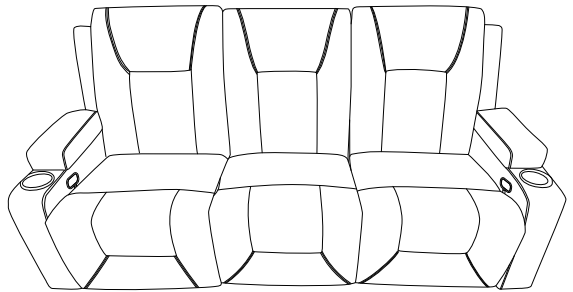
Do not use this product until you read and understand the instructions in this manual.

KEEP THIS MANUAL FOR FUTURE REFERENCE.

TIPS: Some accessories are placed under the seat.



Loveseat



3 Seater

This manual is intended for installation and use. The pattern should be subject to the product you receive.



ASSEMBLY GUIDE

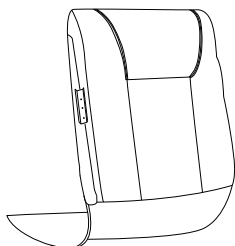
Armrests Installation	P4–P6
Loveseat Installation	P7–P8
3 Seater Installation	P9–P11
Functions Display	P12–P14

PARTS AND ACCESSORIES

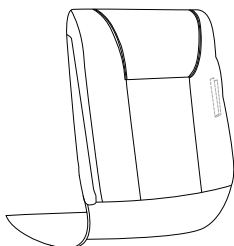
*** Note: Accessories are placed under the the seat base.**

Please take out the backrest ear part, assembly box and other accessories under the chair base to ensure proper installation.

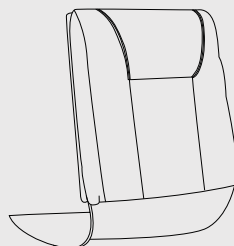
Loveseat and 3 seater accessories



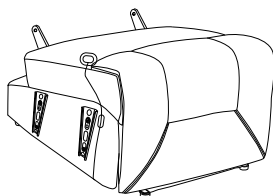
A Vacuum-packed Backrest (R) * 1pc



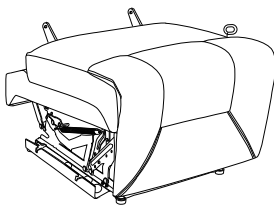
C Vacuum-packed Backrest (L) * 1pc



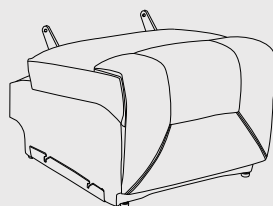
P Vacuum-packed Backrest (M) * 1pc



B Seat (R) * 1pc

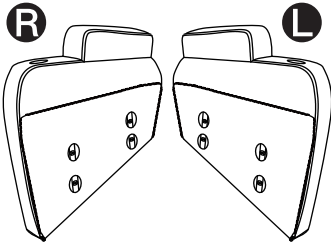


D Seat (L) * 1pc



Q Seat (M) * 1pc

3 seater only

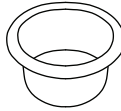


* The backrest and foldable armrests you received have been vacuum-packed. Open the plastic bag, take out the backrest and foldable armrests, let them breathe to the normal state.

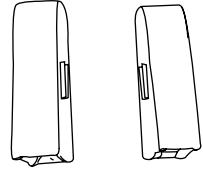
F Foldable Armrest R&L * 2pcs



F M6 Wrench * 1pc



G Cup Holder * 2pcs



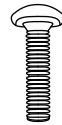
H Backrest Ear Part * 2pcs



I Metal Frame * 4pcs



J Screw M6*10 * 8pcs



K Screw M6*20 * 8pcs

WARNING:

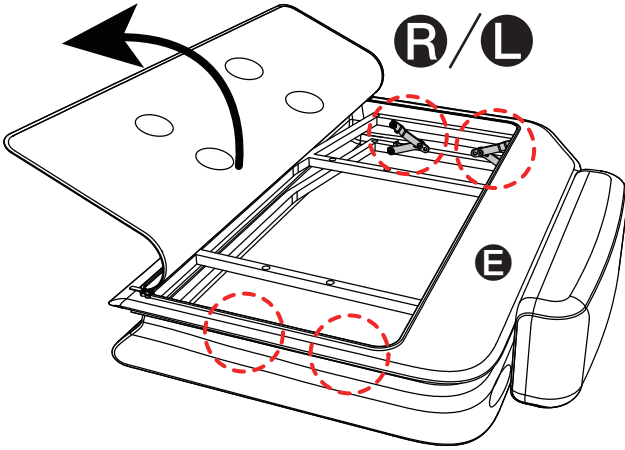
- Do not at any time allow children to play on the chair or leave them unsupervised in the same room with the chair.
- Do not use this product if it is wet, in water, around water or any liquid.
- To prevent suffocation keep plastic bags away from children.

ASSEMBLY INSTRUCTIONS

CAUTION: At least two adults are required to safely complete performing this task.



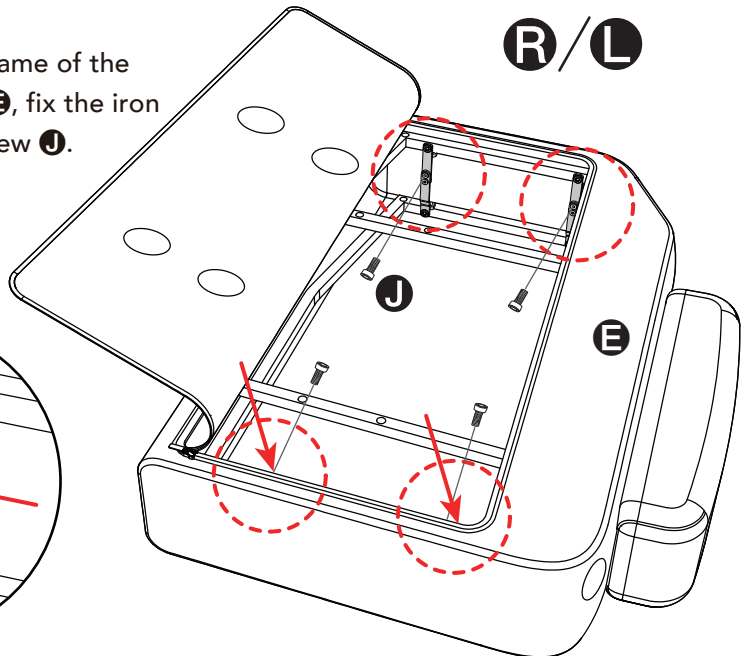
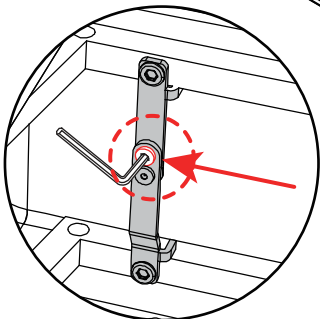
Other lifting attempts may risk back injury due to large and heavy part(s).



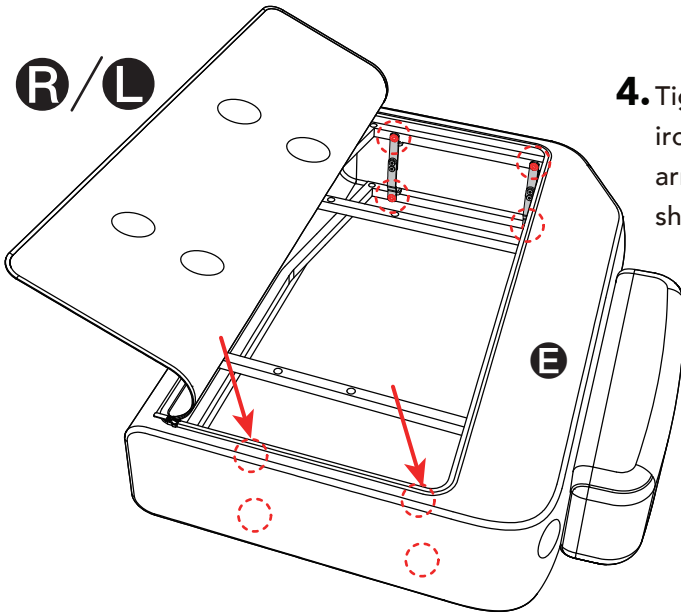
1. Carefully unpack and place parts on a clean flat surface.

2. Unzip the foldable armrests **E**.

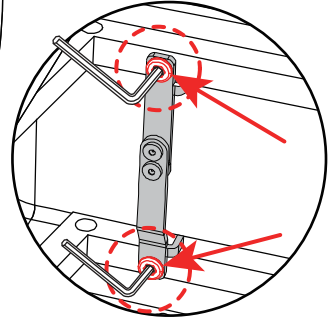
3. Expand the iron frame of the foldable armrest **E**, fix the iron frame with the screw **J**.



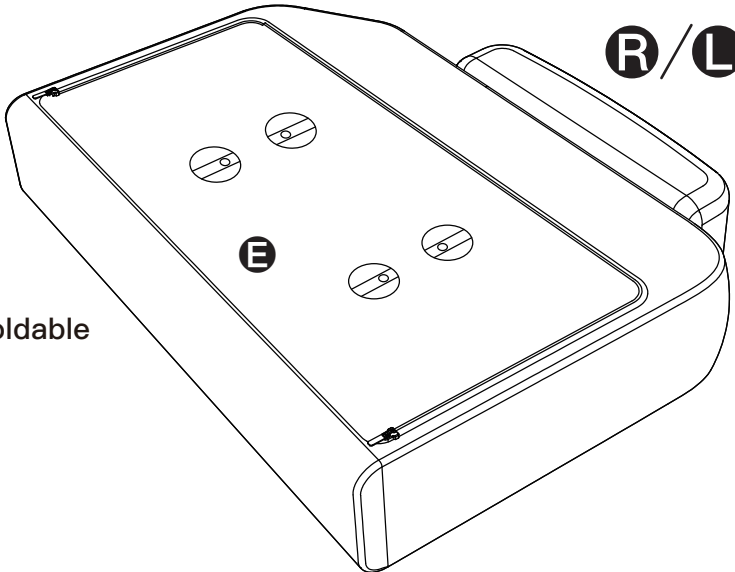
R/L



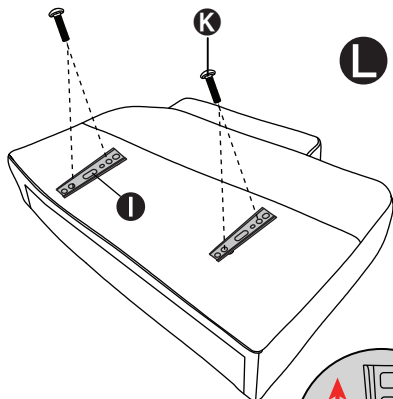
4. Tighten all the screws on the iron frame of the foldable armrest **E** completely as shown.



R/L

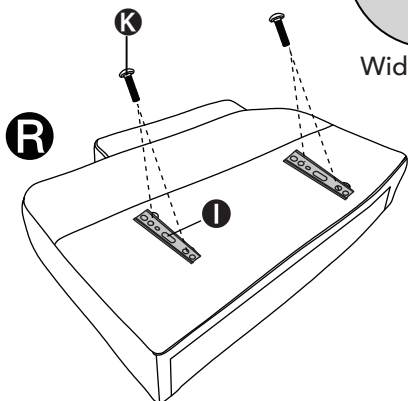
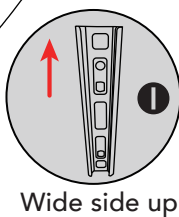


5. Zip up the foldable armrests **E**.

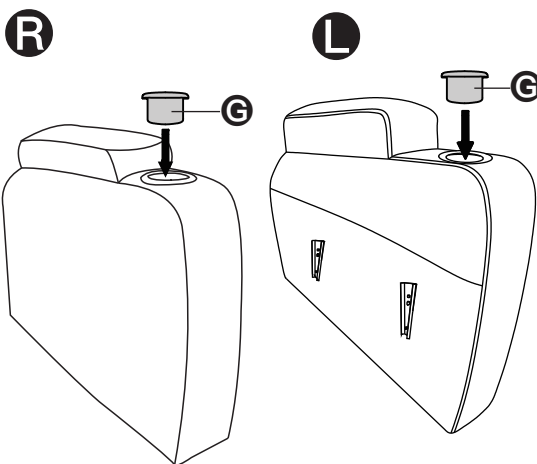


6. Attach the metal bolts **L** on the armrest L & R with screws M6x20 **K**.

* **NOTE:** Place the wide side of the metal bolts upward for installation. If the position is incorrect, this part cannot be properly snapped into the seat's metal bolts.

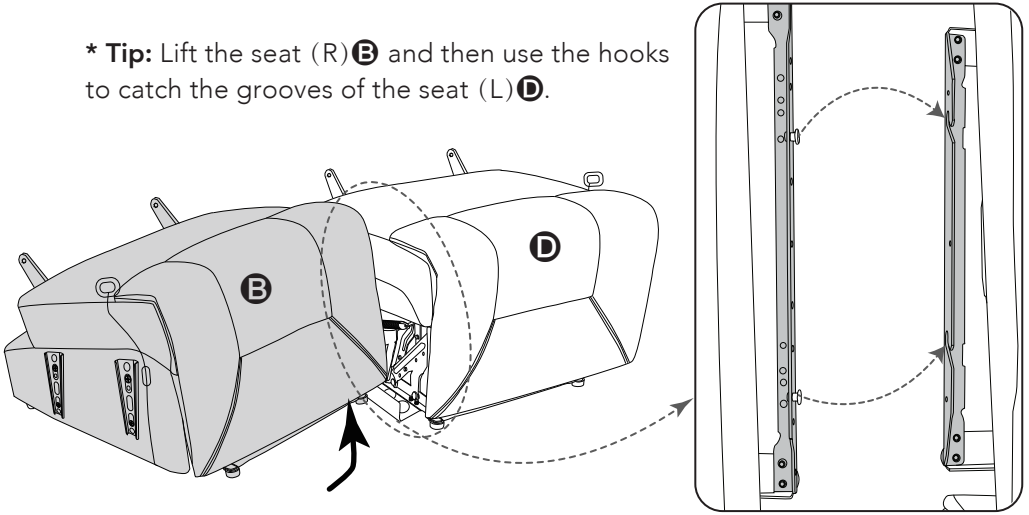


7. Install the cup holders **G** into the armrests on both sides.



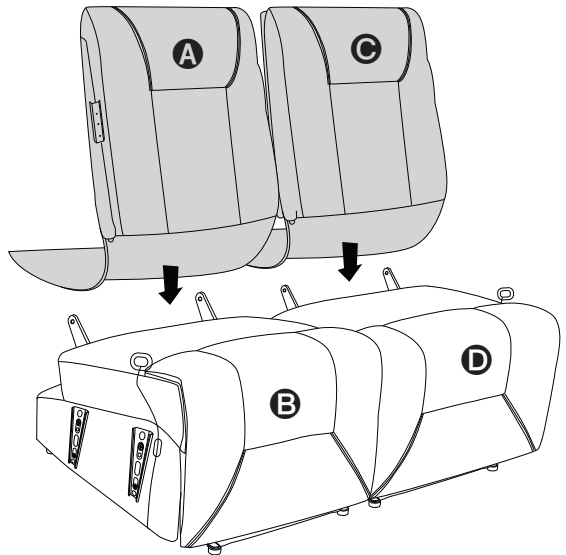
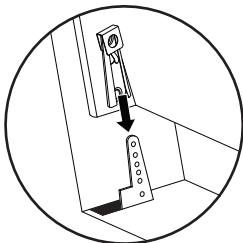
8. Combine Seat (R) **B** and Seat (L) **D** as shown.

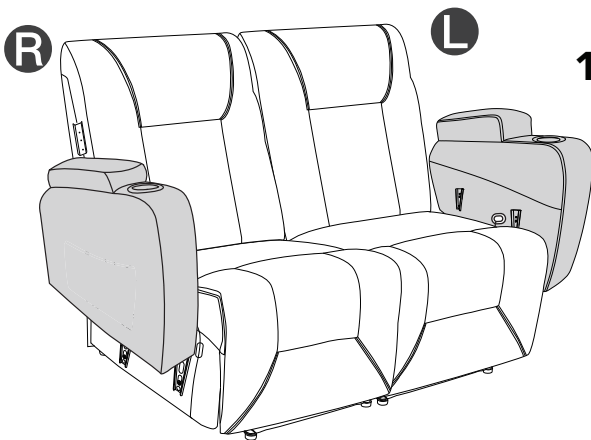
* **Tip:** Lift the seat (R) **B** and then use the hooks to catch the grooves of the seat (L) **D**.



9. Insert metal bolts of the backrests **A** & **C** to the seats **B** & **D** as shown. Ensure they are correctly installed in place.

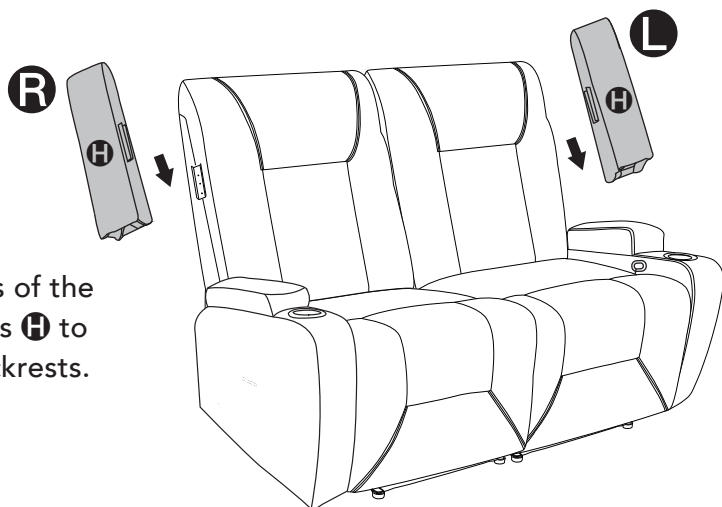
* **Note:** These backrests you received have been vacuum-packed. Open the plastic bags and take them out, let them breathe to the normal state.



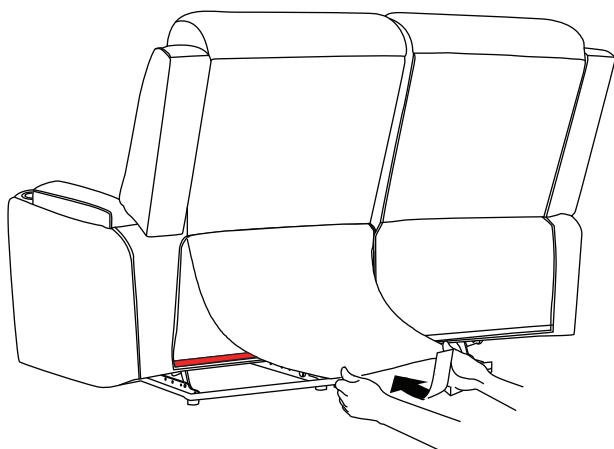


16. Insert the metal bolts **I** of the armrests to the seats as shown.

Ensure they are correctly in place.



10. Insert metal bolts of the backrest ear parts **H** to both sides of backrests.



11. Stick the Velcro of the seats and the backrests.

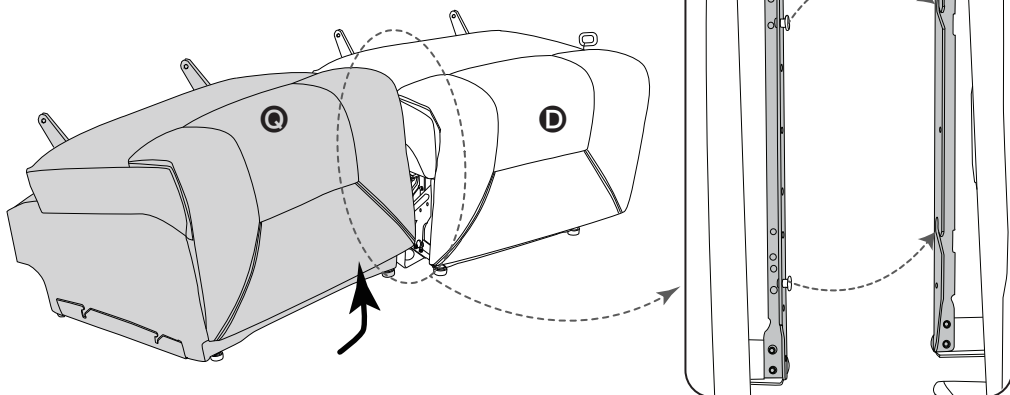
Loveseat assembly is complete.

ASSEMBLY INSTRUCTIONS – 3 Seater

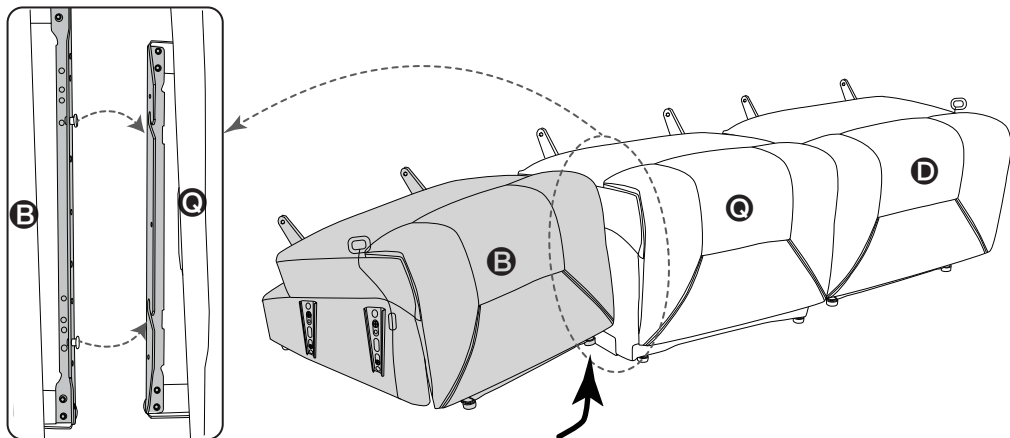
1. Carefully unpack and place parts on a clean flat surface.

* Note: See Pages P3 - P7 for installation of the armrests.

2. Combine Seat (M) **C** and Seat (L) **D** as shown.

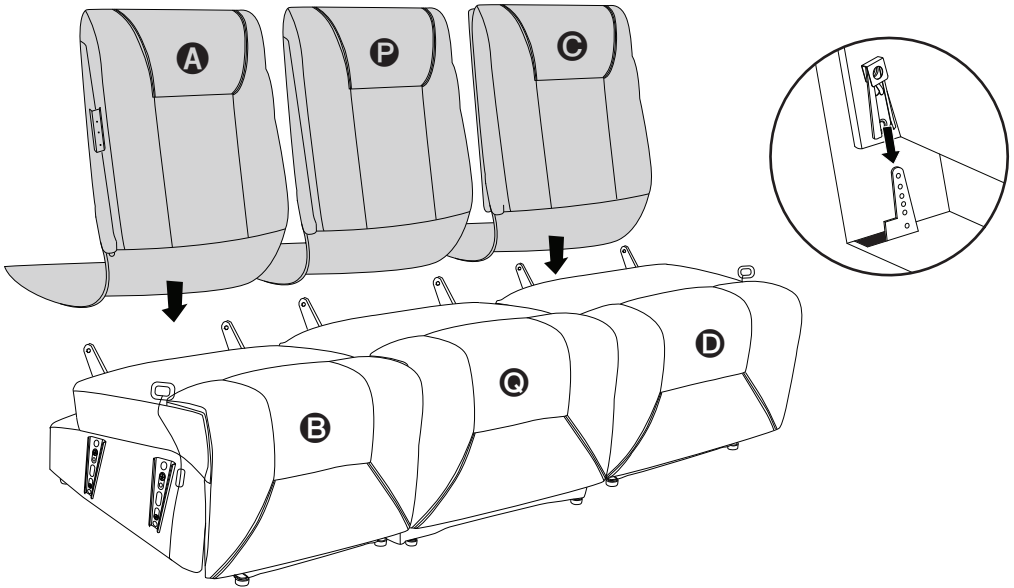


3. Refer to step 2 to install Seat (R) **B**.

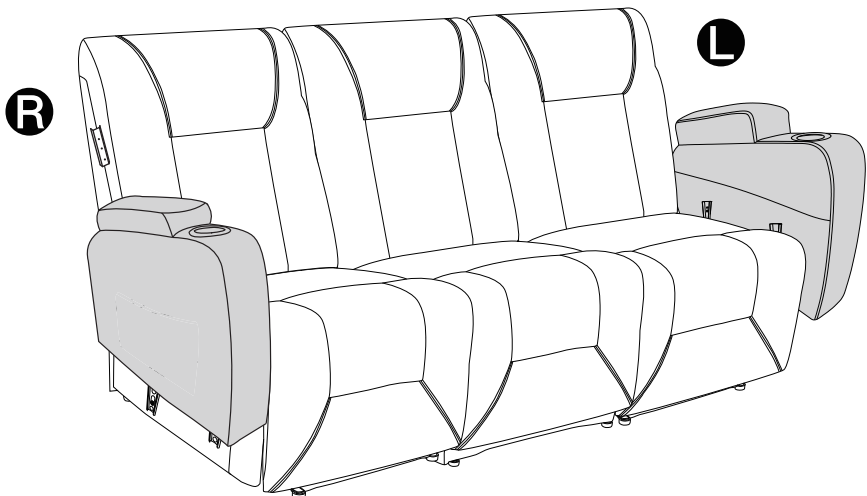


- 4.** Insert metal bolts of the backrests to the seats as shown. Ensure they are correctly in place.

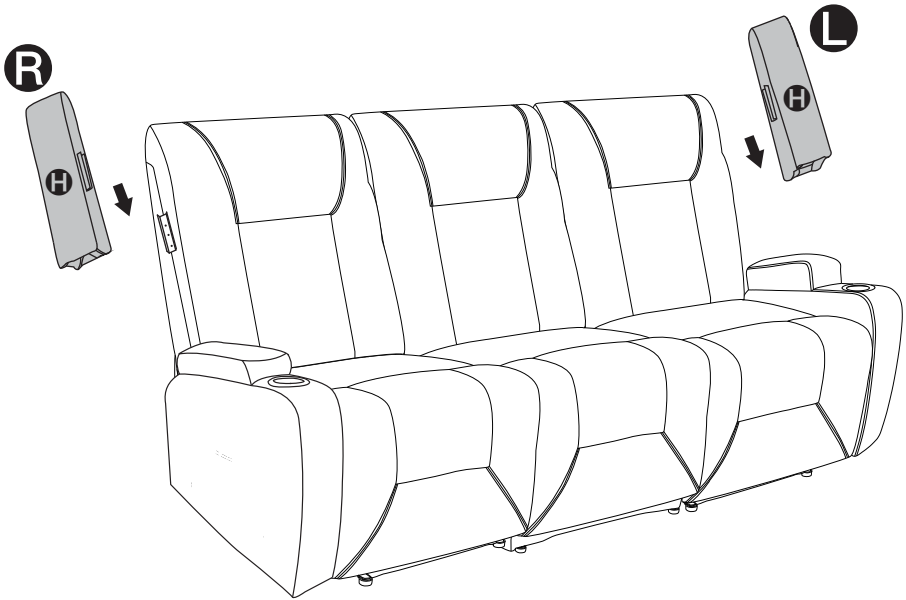
* **Note:** These backrests are vacuum-packed, take them out and let them breathe to the normal state.



- 5.** Insert the metal bolts **1** of the armrests to the seats as shown. Ensure they are correctly in place.

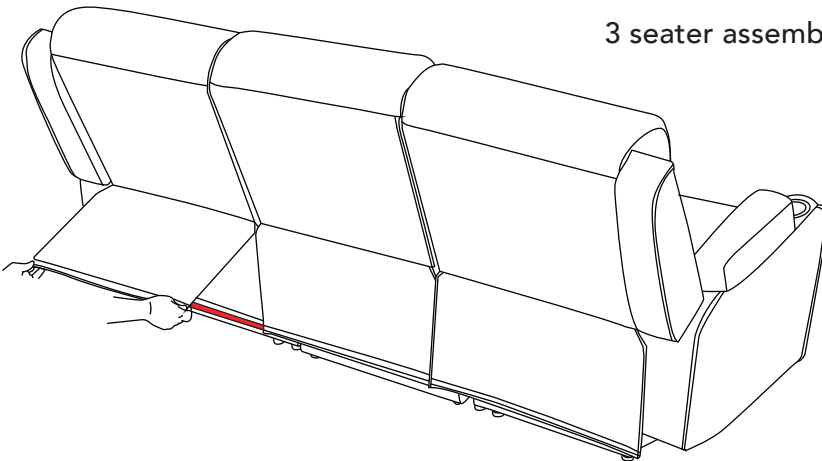


6. Insert metal bolts of the backrest ear parts **H** to both sides of backrests.



7. Stick the Velcro of the seats and the backrests.

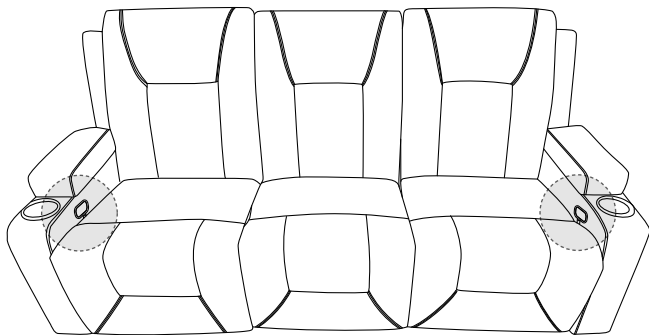
3 seater assembly is complete.



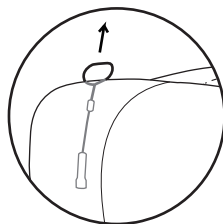
* Fabric will fade or discolor in direct sunlight. Minimize exposure to direct sunlight to extend the life of your furniture.

RECLINE & FOOTREST OPERATING

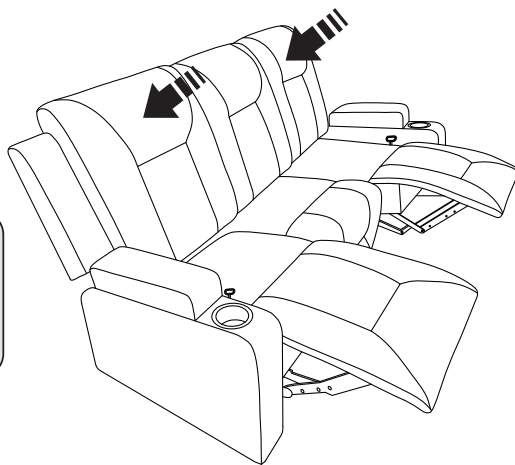
1. How to recline? (loveseat and 3 seater)



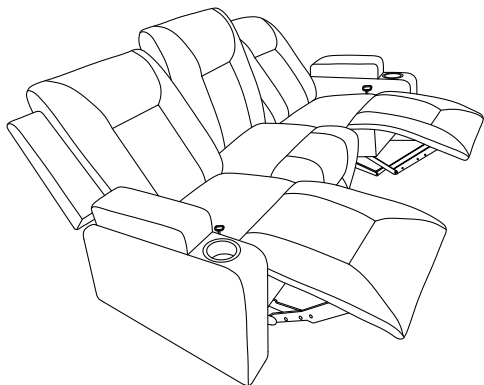
1. Pull the handle to lift the footrest separately.



2. Put some pressure onto the backrests to recline back.

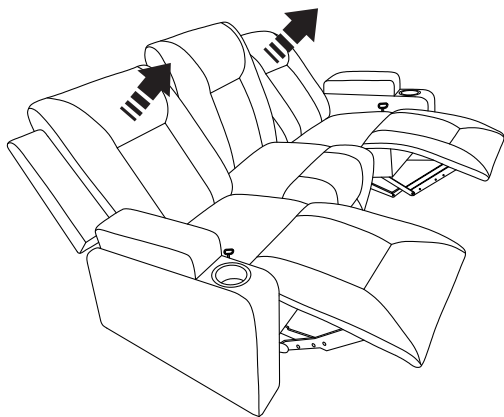


* The seat in the middle of the 3 seater recliner is a **fixed seat**, this backrest has no reclining function, and the footrest cannot be extended.



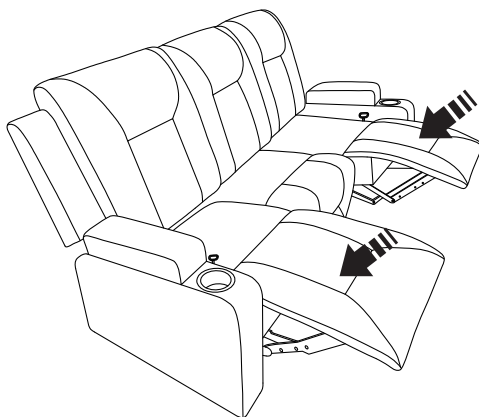
3. Have a relax.

2. How to get footrest pushed down? (loveseat and 3 seater)

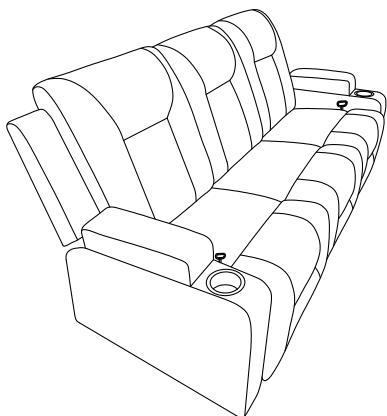


1. The backrests will return to the upright position by moving forward.

* NOTE: The footrest cannot be automatically closed in the reclined position.



2. Accompany the footrest to the upright position by putting pressure with your legs.



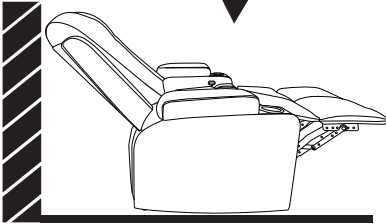
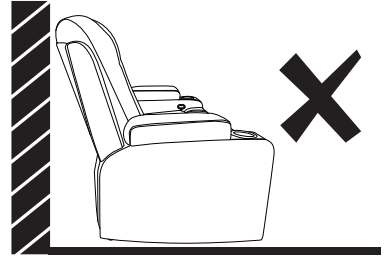
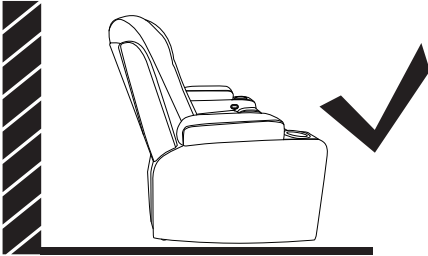
3. The recliner returns to the upright position.

Note: DO NOT place objects under the recliner, the footrest when the recliner is in the fully reclined position. Make sure the area is clear of obstructions, including pets and children during operation.

USAGE

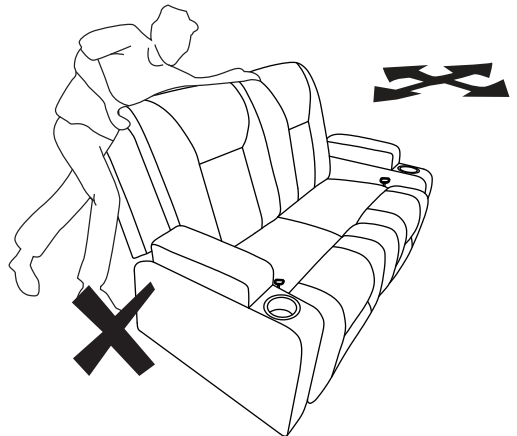


Leave
enough space
for reclining back



The recliner should be placed 45cm away from the wall and the extension function can be used normally.

As most parts of the chair can be moved, handle all items with care when moving.



* Only move the recliner when it is in the 'initial position'. Never attempt to move the recliner when it is in any of the reclining position. Always use the armrests to move the recliner.
DO NOT use the backrest or backrest ear parts to move the recliner.

Dear Customer,

Thank you for choosing us.

For safe use, please read this manual before installation, and keep it for after use. Please feel free to email us if you have any concerns about our products. We'll reply within 24 hours.

The following are the things you need to pay attention to so that we can provide you with services when you encounter problems during the installation and use of the product:

- When the product is damaged due to courier problems, please contact our customer service in time for verification.
- We will rectify the issue as soon as possible.

We offer product explanations, installation instructions, product maintenance and maintenance methods.

If you feel satisfied with our product and service,

- Please set our store as your favorites;
- Please recommend our products to your friends;
- Please and leave us your purchase experience in our store or product page.

Feedback or reviews from you will greatly help us offer better services to players around the world.

Best regards!

Avoid using sharp objects such as a knife to cut open packing as you may accidentally damage the upholstery.

