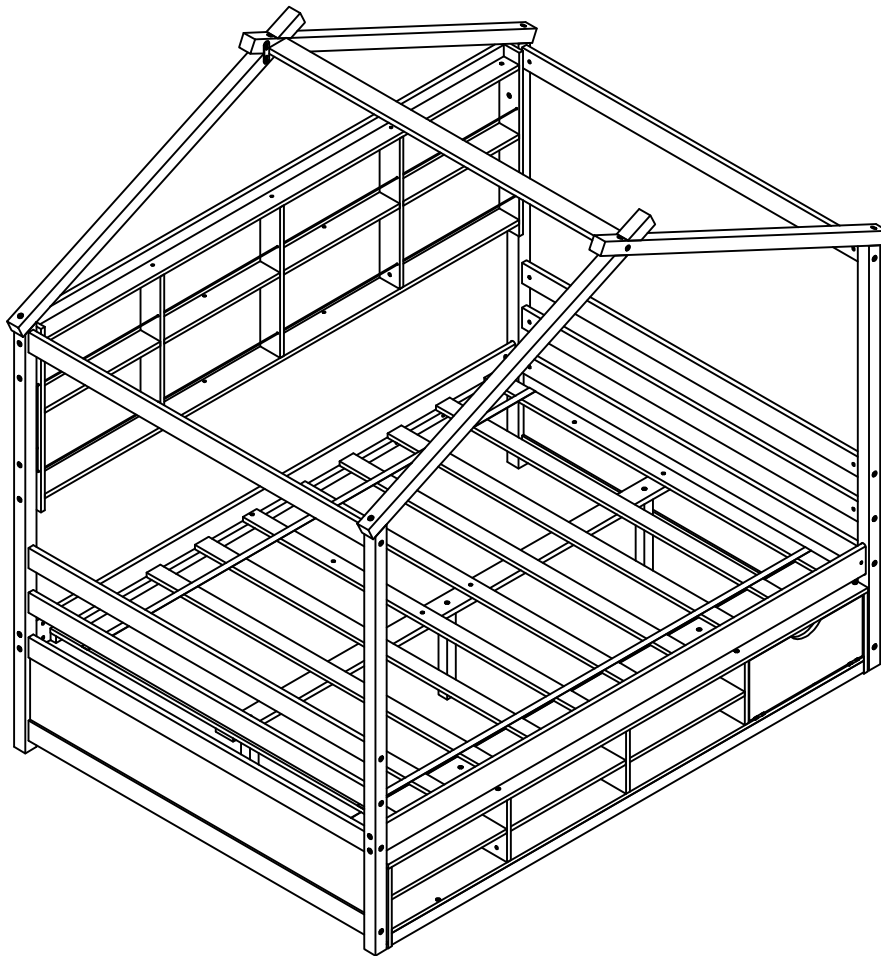


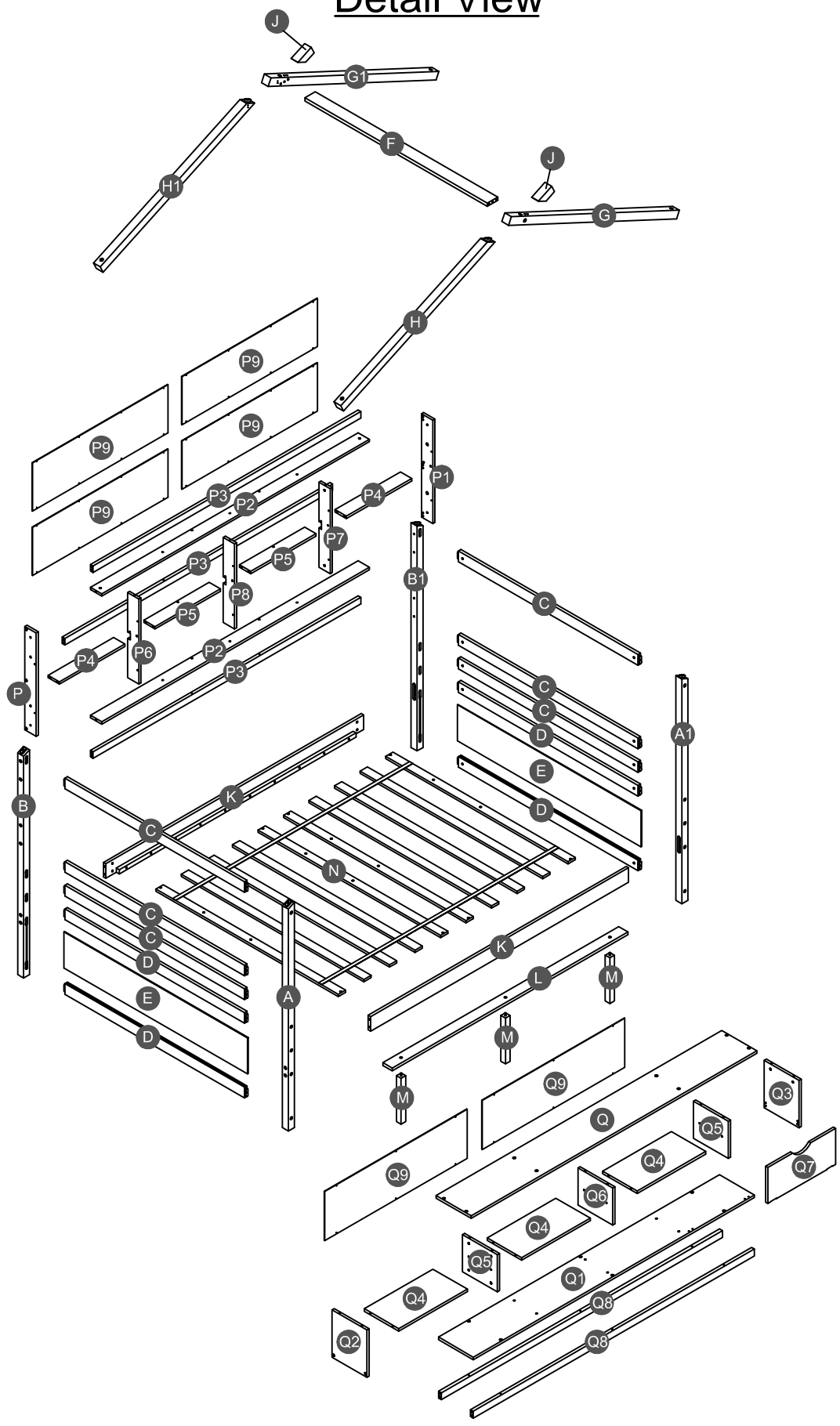
# ASSEMBLY INSTRUCTIONS

## FULL HOUSE BED WITH SHELF



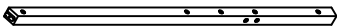
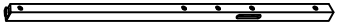
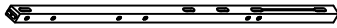
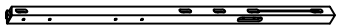
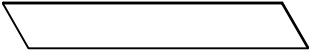
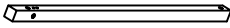
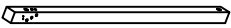
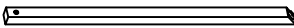
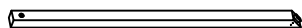





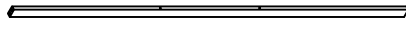
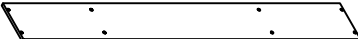


**SA33830**

# Detail View



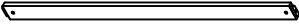
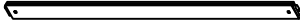

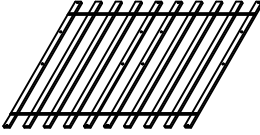
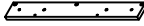

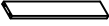
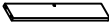

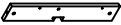

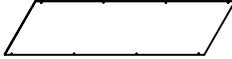
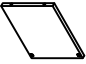
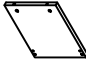
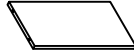


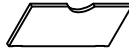

# Part List

## SA33830 (2-1) + Hardware inside

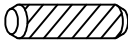
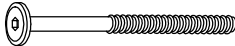
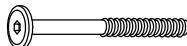
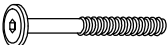








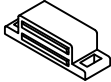
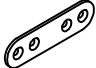

<p><b>A</b></p>  <p>Leg (Left Front) - 1pc</p>	<p><b>A1</b></p>  <p>Leg (Right Front) - 1pc</p>	<p><b>B</b></p>  <p>Leg (Left Back) - 1pc</p>
<p><b>B1</b></p>  <p>Leg (Right Back) - 1pc</p>	<p><b>E</b></p>  <p>Side panel - 2pcs</p>	<p><b>G</b></p>  <p>Upper (Right Front) - 1pc</p>
<p><b>G1</b></p>  <p>Upper (Right Back) - 1pc</p>	<p><b>H</b></p>  <p>Upper (Left Front) - 1pc</p>	<p><b>H1</b></p>  <p>Upper (Left Back) - 1pc</p>
<p><b>J</b></p>  <p>Block - 2pcs</p>	<p><b>K</b></p>  <p>Side rail - 2pcs</p>	<p><b>L</b></p>  <p>Lower support slat - 1pc</p>
<p><b>M</b></p>  <p>Leg support - 3pcs</p>	<p><b>P2</b></p>  <p>Top panel + Bottom panel - 2pcs</p>	<p><b>P3</b></p>  <p>Horizontal bar (Back) - 3pcs</p>
<p><b>Q</b></p>  <p>Top panel - 1pc</p>	<p><b>Q1</b></p>  <p>Bottom panel - 1pc</p>	<p><b>Q8</b></p>  <p>Lower horizontal bar - 2pcs</p>

# Part List

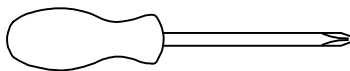
## SA33830 (2-2)

<p><b>C</b></p>  <p>Horizontal bar - 6pcs</p>	<p><b>D</b></p>  <p>Horizontal bar - 4pcs</p>	<p><b>F</b></p>  <p>Upper horizontal bar - 1pc</p>
<p><b>N</b></p>  <p>Slat - 1set = 10 pcs</p>	<p><b>P</b></p>  <p>Side panel (Left) - 1pc</p>	<p><b>P1</b></p>  <p>Side panel (Right) - 1pc</p>
<p><b>P4</b></p>  <p>Shelf panel (Left/Right) - 2pcs</p>	<p><b>P5</b></p>  <p>Divider shelf panel - 2pcs</p>	<p><b>P6</b></p>  <p>Divider panel (Left) - 1pc</p>
<p><b>P7</b></p>  <p>Divider panel (Right) - 1pc</p>	<p><b>P8</b></p>  <p>Divider panel - 1pc</p>	<p><b>P9</b></p>  <p>Back panel - 4pcs</p>
<p><b>Q2</b></p>  <p>Side panel (Left) - 1pc</p>	<p><b>Q3</b></p>  <p>Side panel (Right) - 1pc</p>	<p><b>Q4</b></p>  <p>Shelf panel - 3pcs</p>
<p><b>Q5</b></p>  <p>Divider panel (Left/Right) - 2pcs</p>	<p><b>Q6</b></p>  <p>Divider panel - 1pc</p>	<p><b>Q7</b></p>  <p>Front panel (Right) - 1pc</p>
<p><b>Q9</b></p>  <p>Back panel - 2pcs</p>		

## Hardware List SA33830 (2-1)

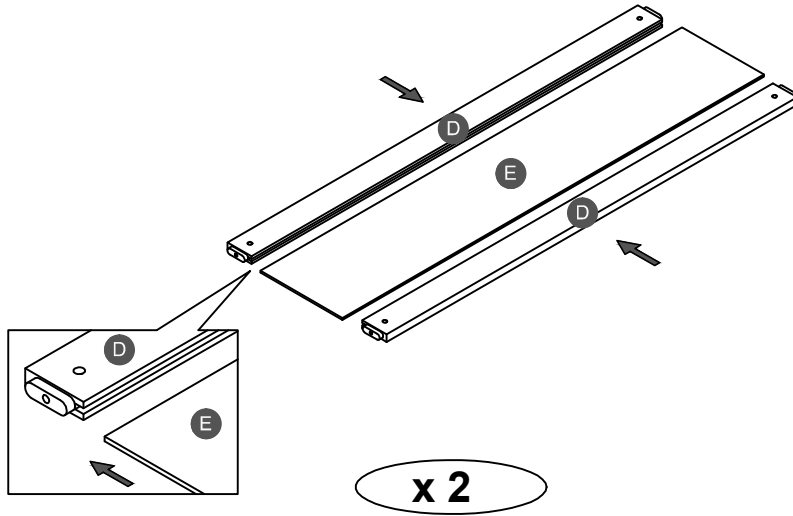
<b>1</b>	 Ø8*30mm Wood dowel (48pcs)	<b>2</b>	 (Ø15)1/4"*100mm Hex-Head bolts (12pcs)	<b>3</b>	 (Ø15)1/4"*80mm Hex-Head bolts (22pcs)
<b>4</b>	 (Ø12)1/4"*60mm Hex-Head bolts (30pcs)	<b>5</b>	 1/4"*15 (9.5mm) Horizontal-Hole bolts(60pcs)	<b>6</b>	 (Ø12)1/4"*65mm Hex-Head bolts (8pcs)
<b>7</b>	 (Ø12)1/4"*40mm Hex-Head bolts (14pcs)	<b>8</b>	 (1/4")4.5*58mm Allen key (1pc)	<b>9</b>	 Ø4*30mm Wood screws (12pcs)
<b>10</b>	 Ø3.5*15mm Wood screws (44pcs)	<b>11</b>	 Ø3.5*15mm Wood screws (16pcs)	<b>12</b>	 42*12*1mm Metal magnet (1pc)
<b>13</b>	 45*17*13mm Door catch (1pc)	<b>14</b>	 75*20*2 mm Metal bracket (2pcs)	<b>15</b>	 Ø4*5000mm Active cord (1pc)

### ASSEMBLY TOOLS REQUIRED ( NOT INCLUDED )





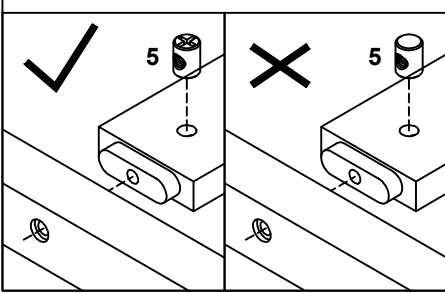
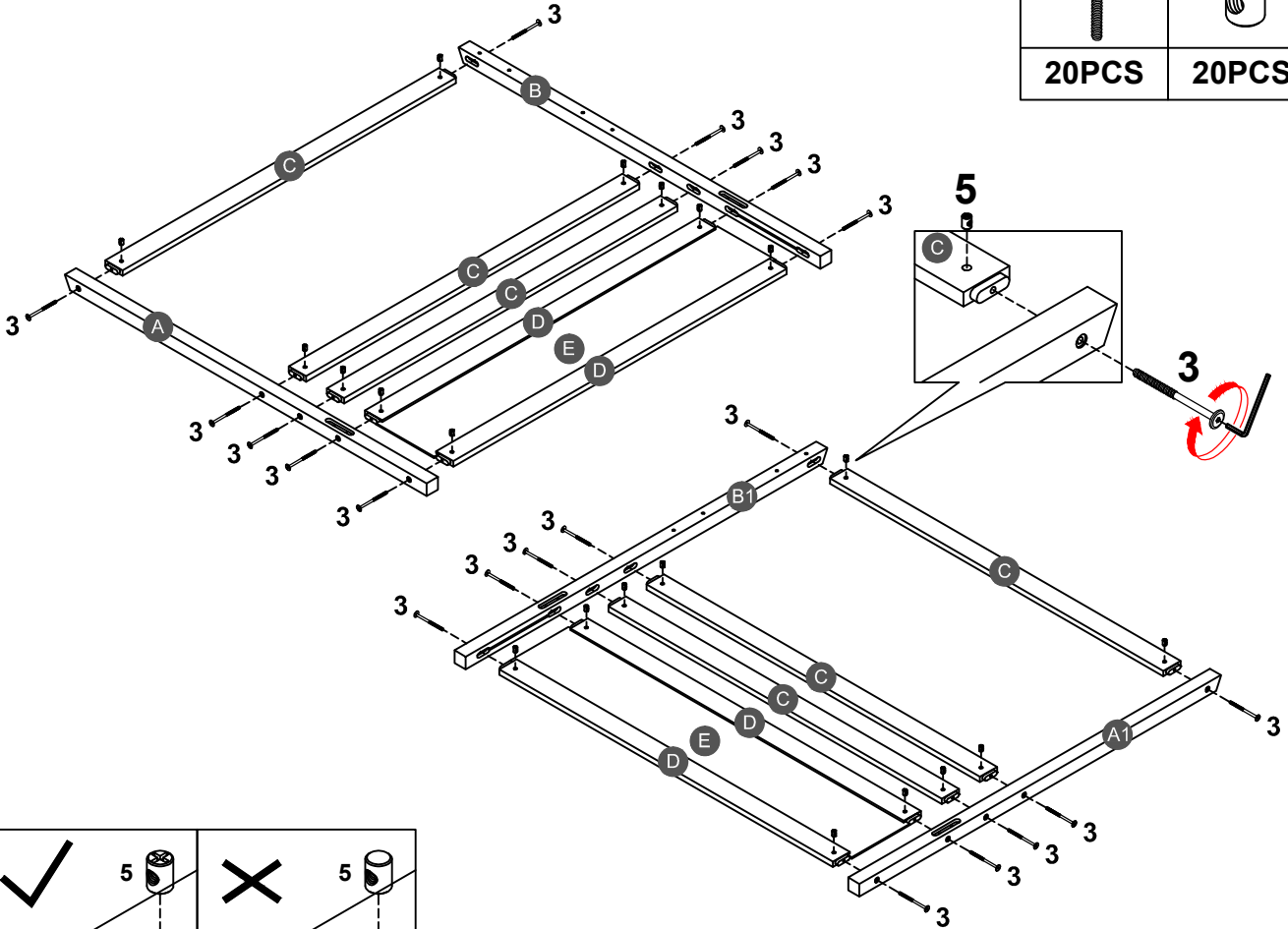
PLEASE BE CAREFUL DO NOT DAMAGE THE HOLE POSITION WHEN YOU USE POWER TOOLS !

**STEP 1:**



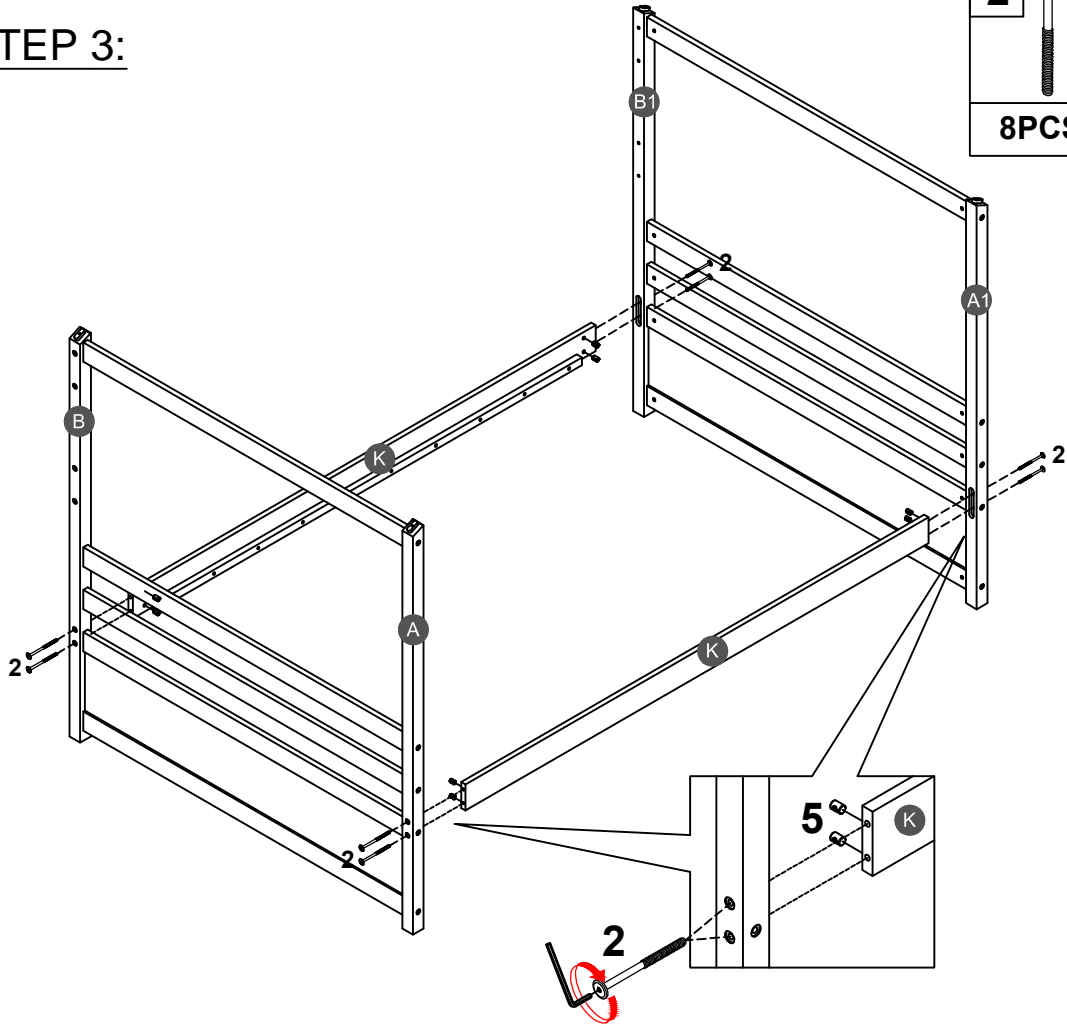
**STEP 2:**

<b>3</b>	<b>5</b>
	
<b>20PCS</b>	<b>20PCS</b>

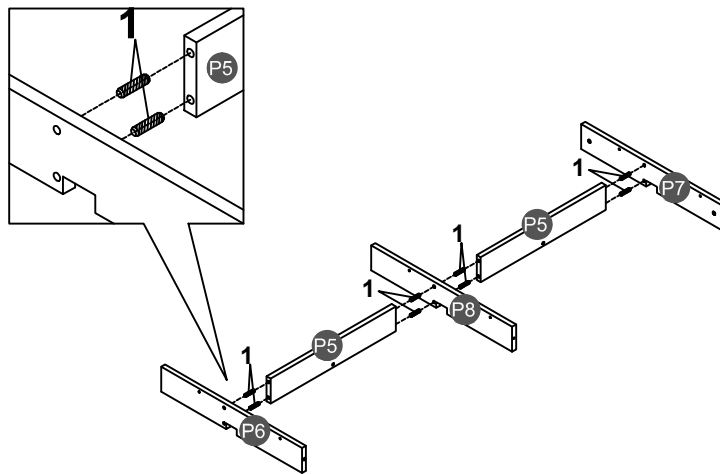


Note: Part 5 will face up with the "x" mark on it, otherwise it cannot be tightened




**STEP 3:**

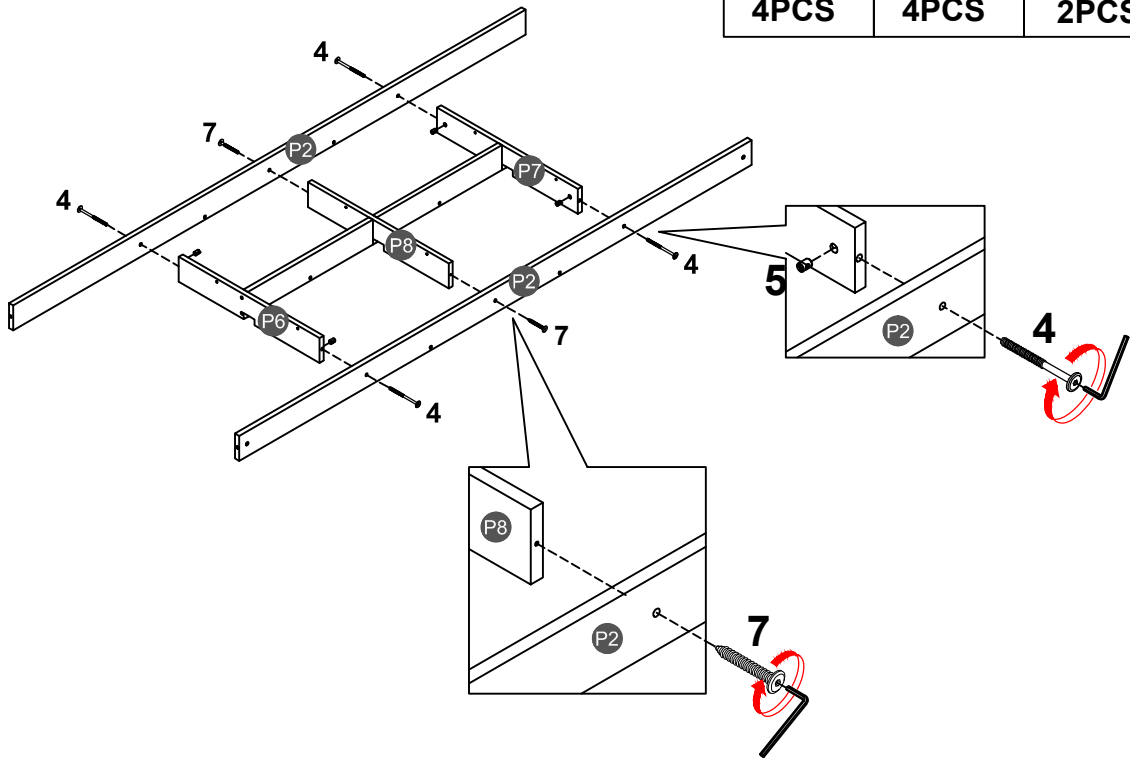


**STEP 4:**






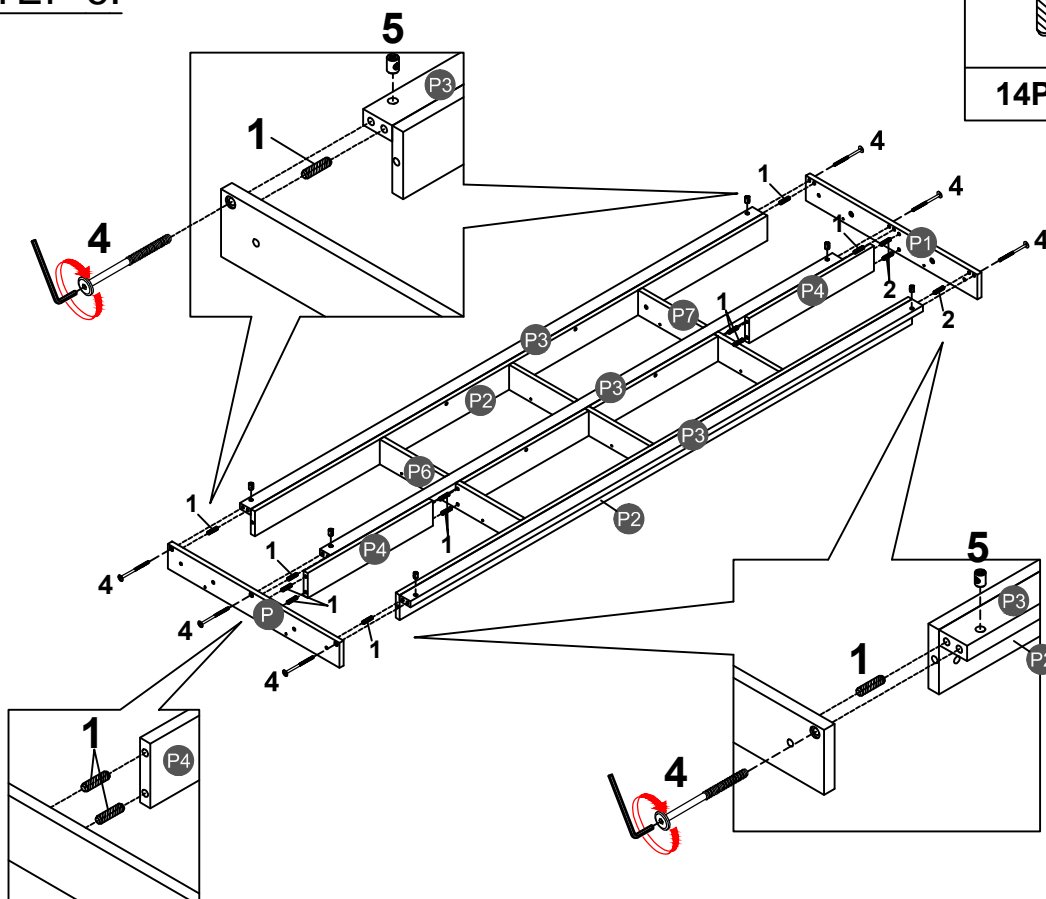
### STEP 5:

<b>4</b>		<b>5</b>		<b>7</b>	
<b>4PCS</b>		<b>4PCS</b>		<b>2PCS</b>	



### STEP 6:

<b>1</b>		<b>4</b>	
<b>14PCS</b>		<b>6PCS</b>	
<b>5</b>		<b>6PCS</b>	

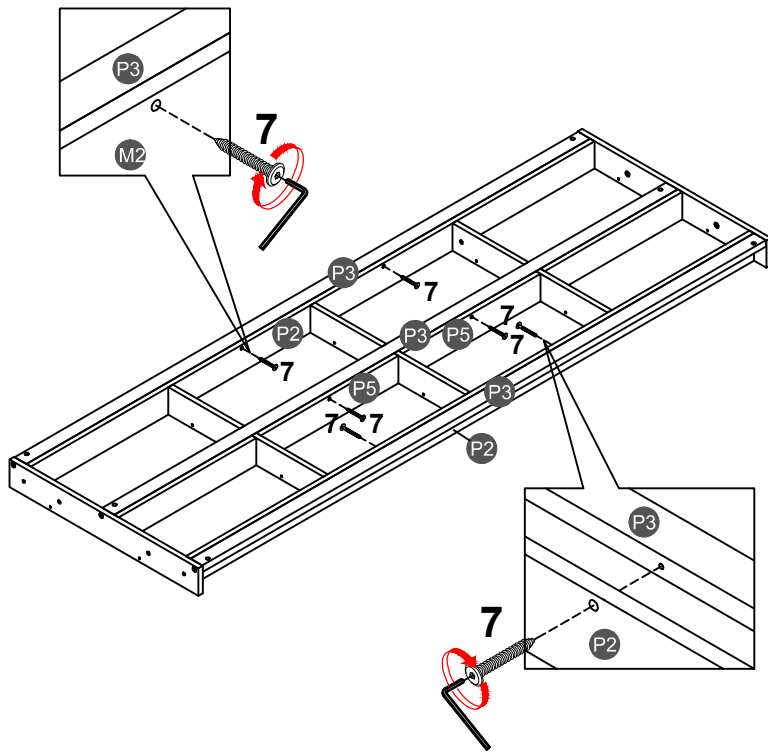


**STEP 7:**

**7**



**6PCS**

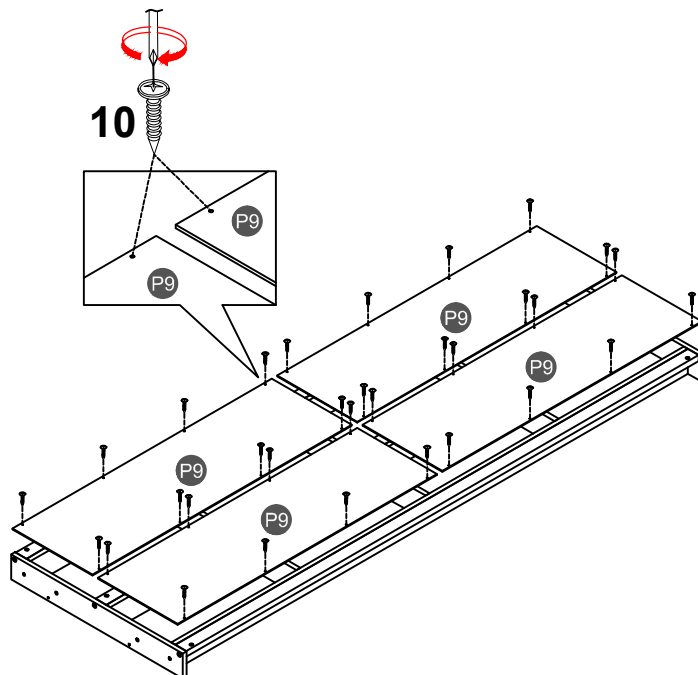


**STEP 8:**


**10**

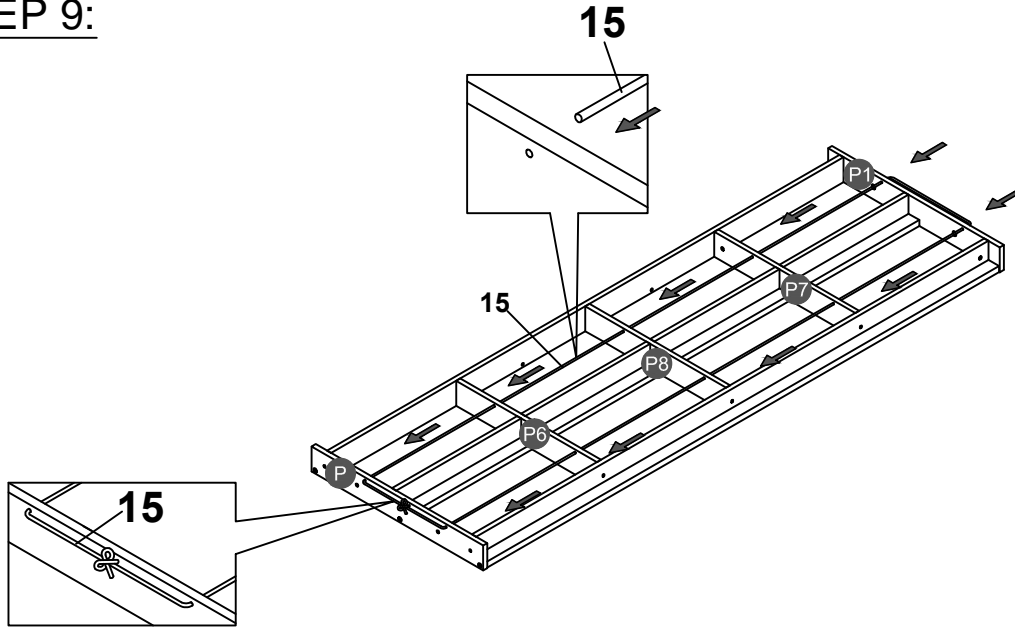


**32PCS**



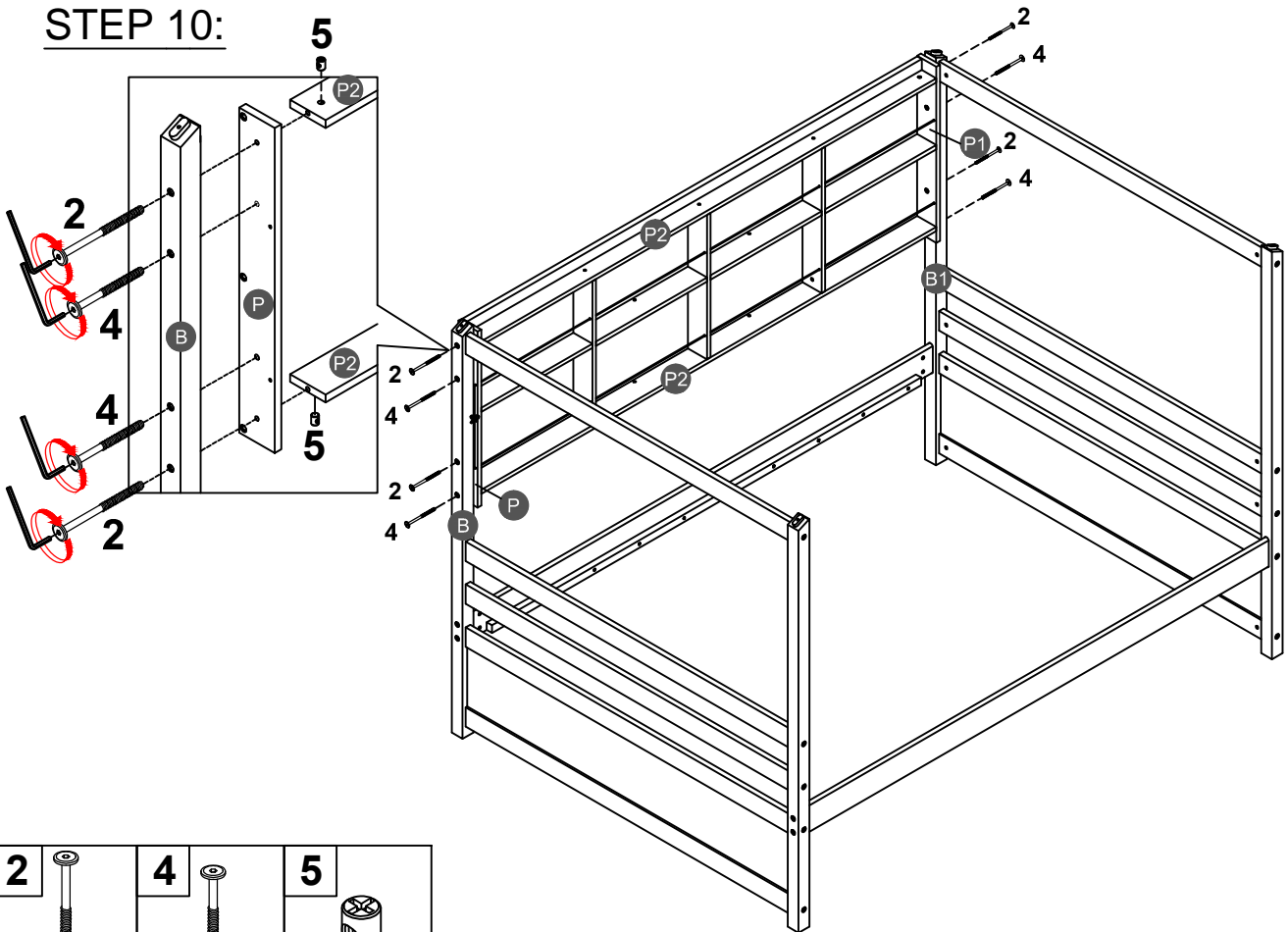
**STEP 9:**




<b>15</b>

<b>1PC</b>



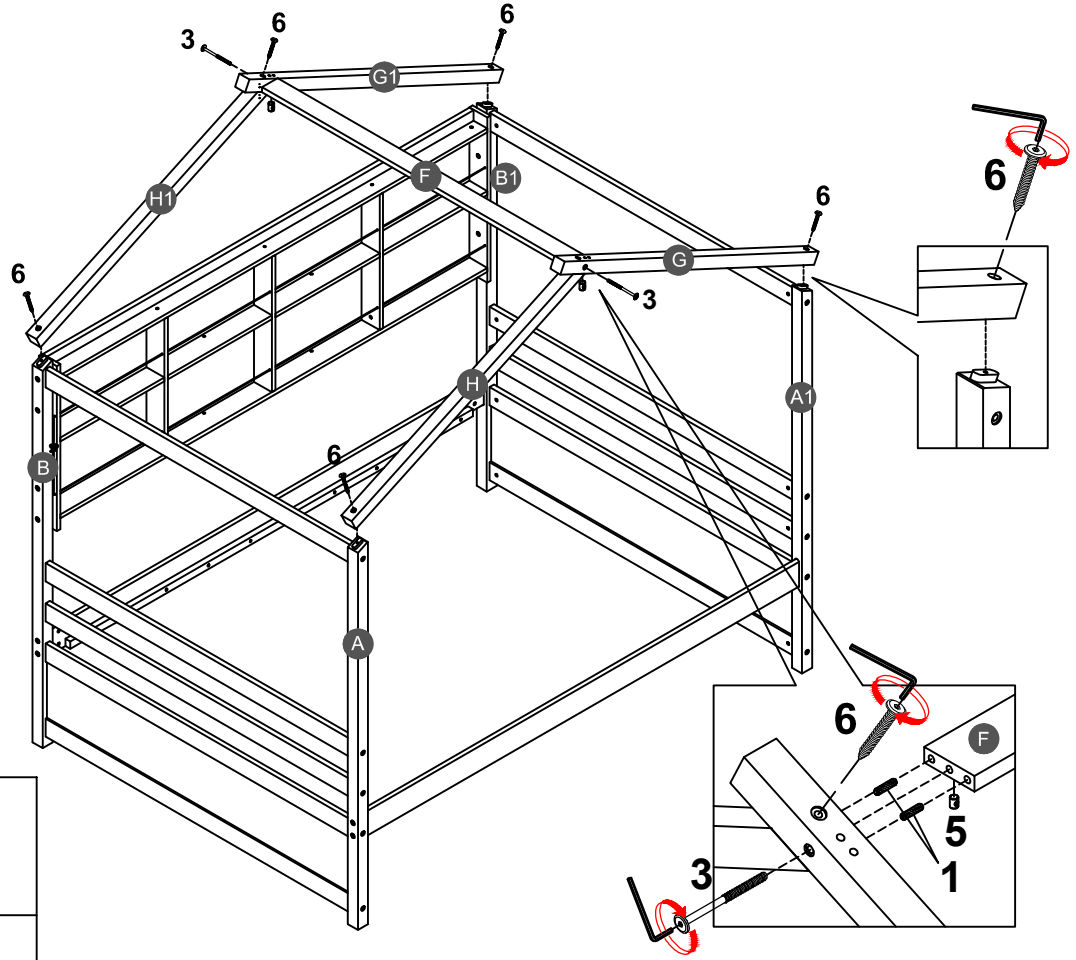
Thread the wire through the pre-drilled holes one round and end with a tight joint.

**STEP 10:**

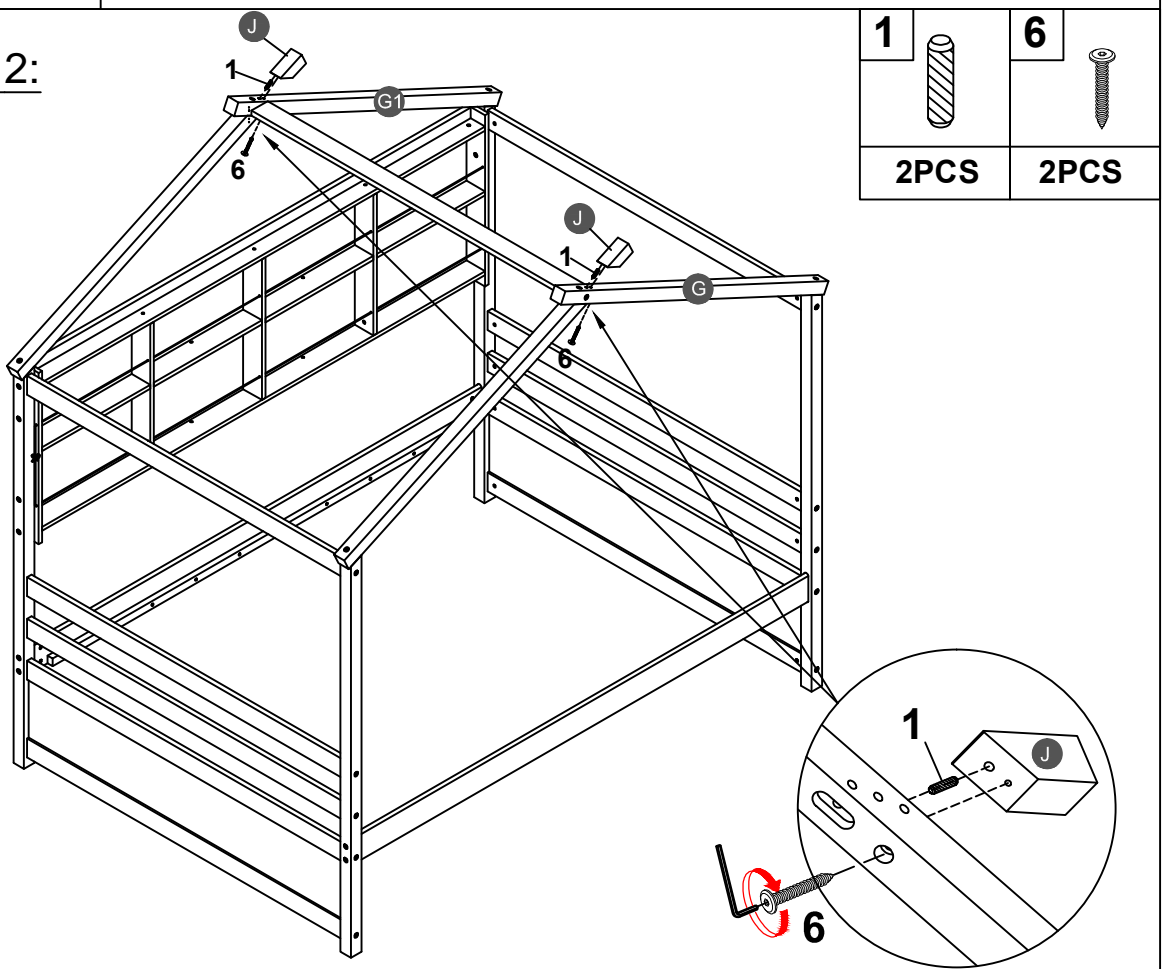


<b>2</b> 	<b>4</b> 	<b>5</b> 
<b>4PCS</b>	<b>4PCS</b>	<b>4PCS</b>

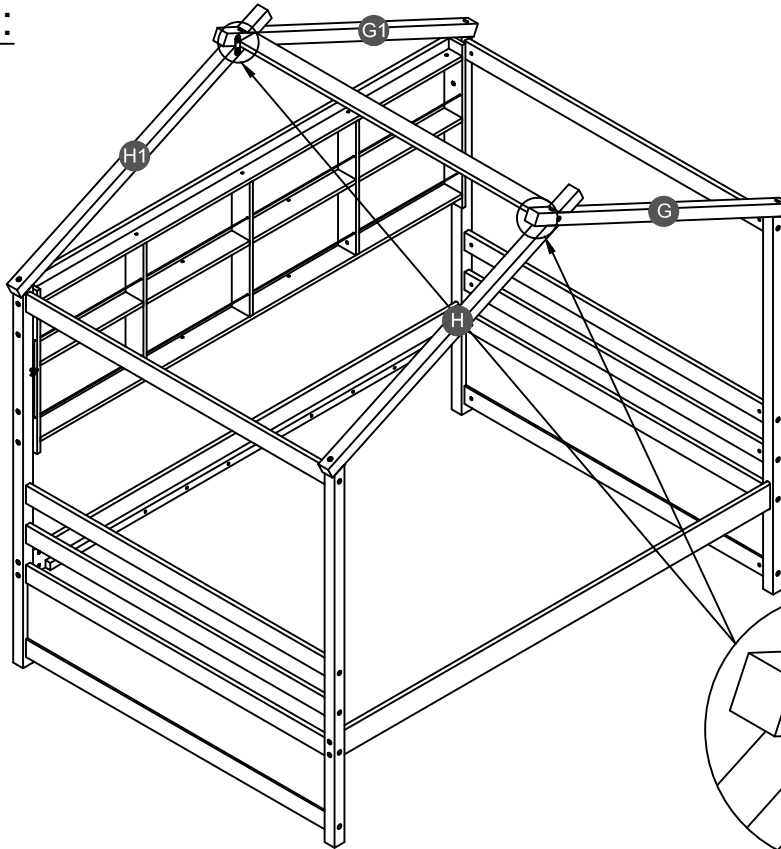
### STEP 11:


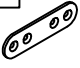


### STEP 12:

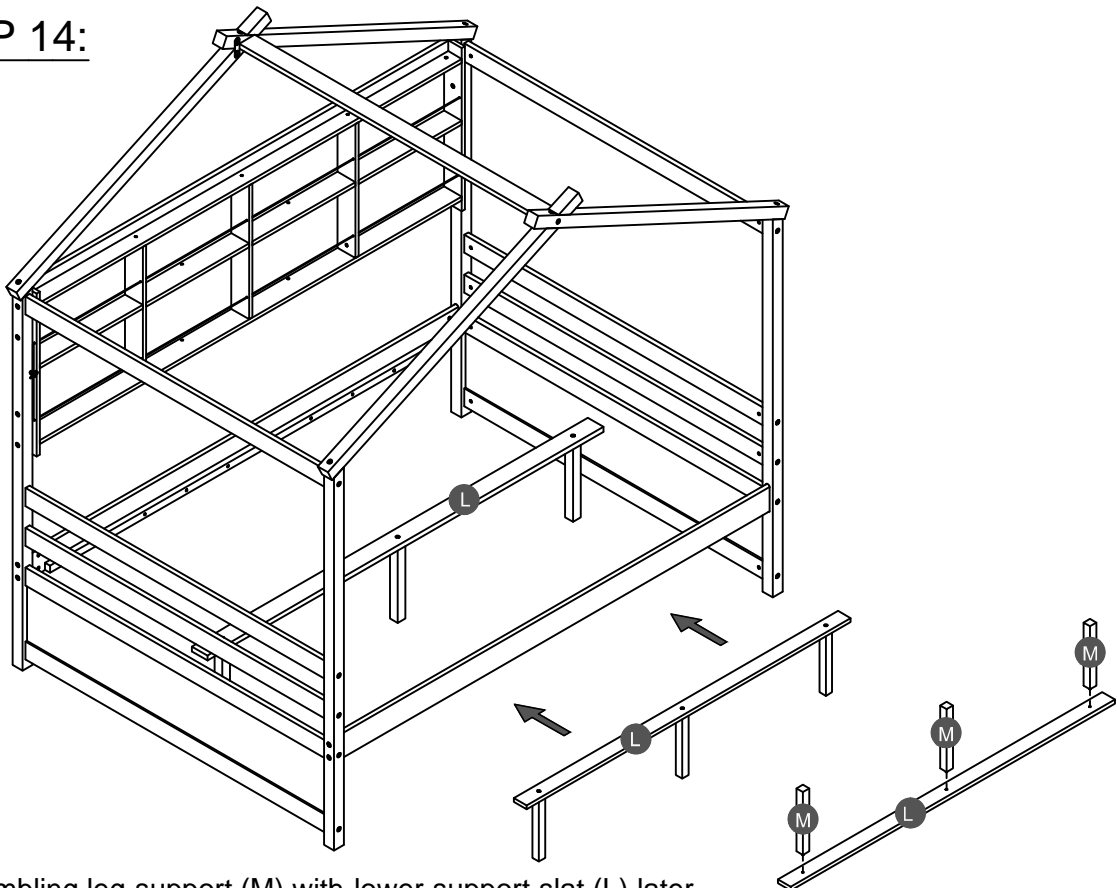


**STEP 13:**



<b>11</b>		<b>12</b>	
<b>8PCS</b>		<b>2PCS</b>	

**STEP 14:**



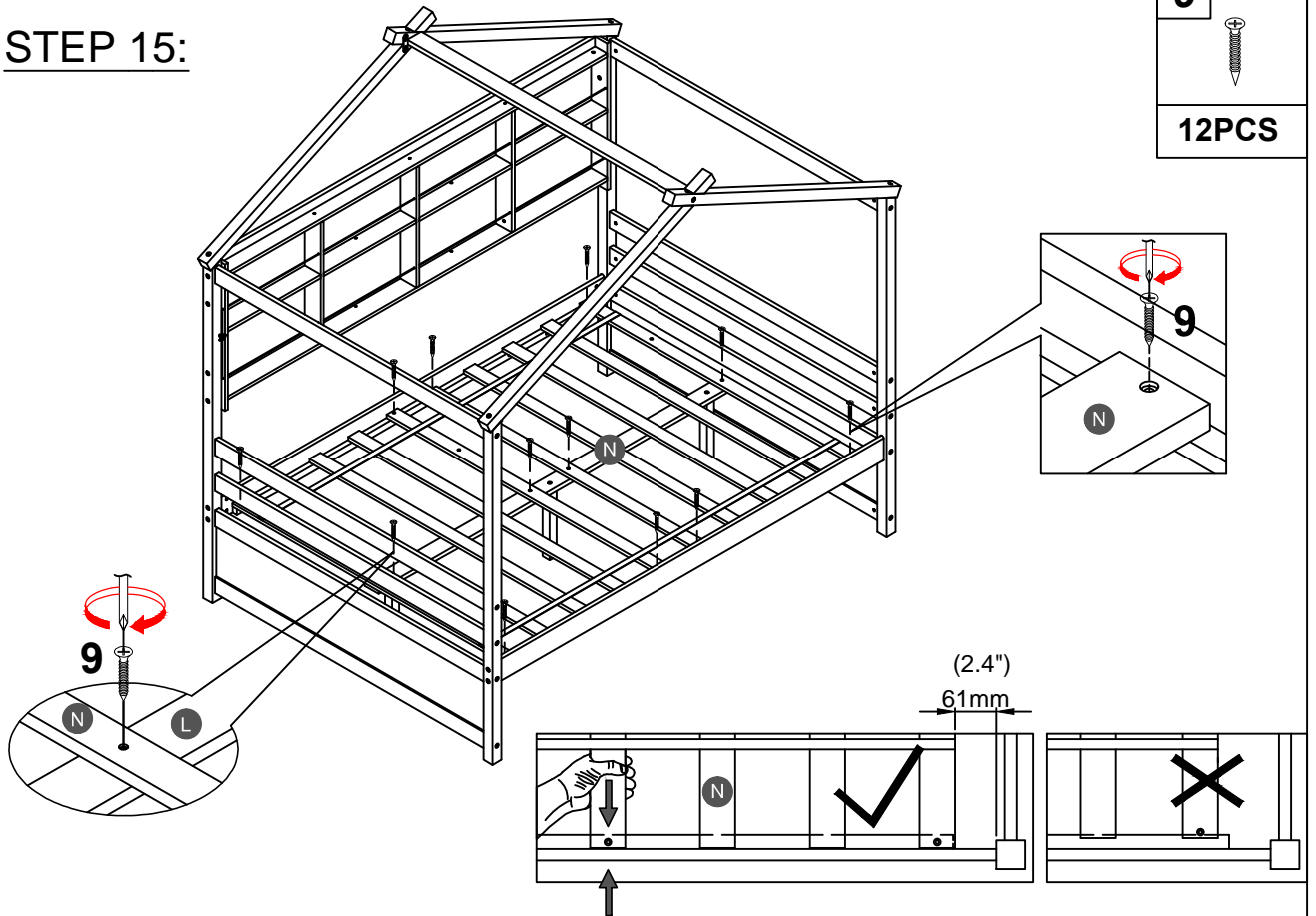
Assembling leg support (M) with lower support slat (L) later rotate, Move support slat inside Full bunkbed.

**STEP 15:**

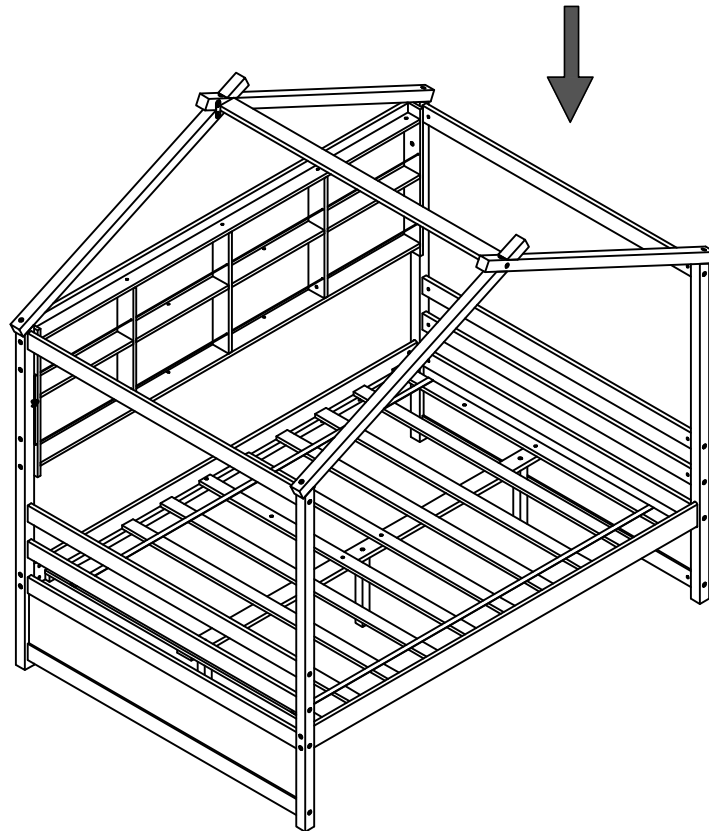
9



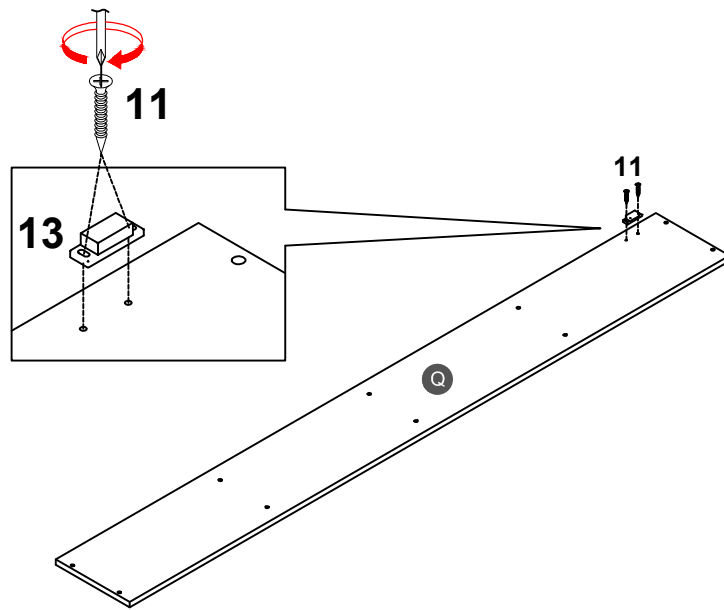
12PCS


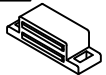


**NOTE:** Please make sure the bed slats close to the side rail before locking the screws to avoid breakage. This step is required for both the left and right sides. Moreover, please do not lock the screws of the bed slats at the outermost edge to avoid damaging.

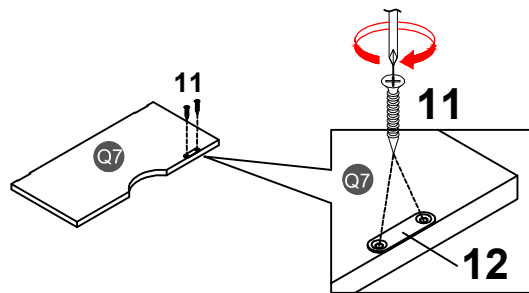




**STEP 16:**



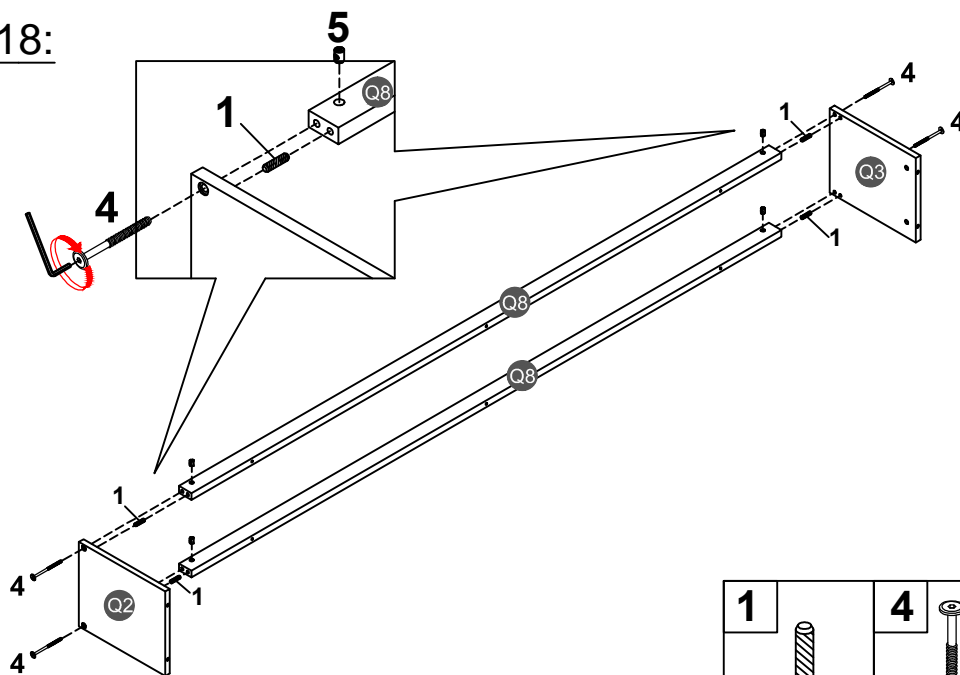
<b>11</b>		<b>13</b>	
	<b>2PCS</b>		<b>1PC</b>




**STEP 17:**



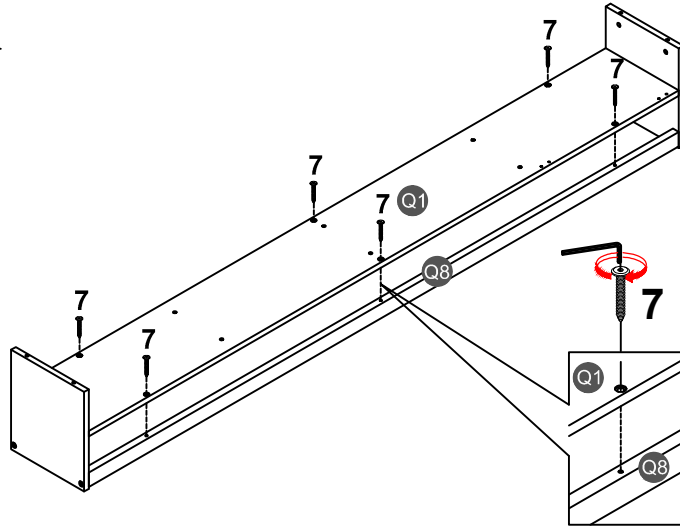
<b>11</b>		<b>12</b>	
	<b>2PCS</b>		<b>1PC</b>

**STEP 18:**



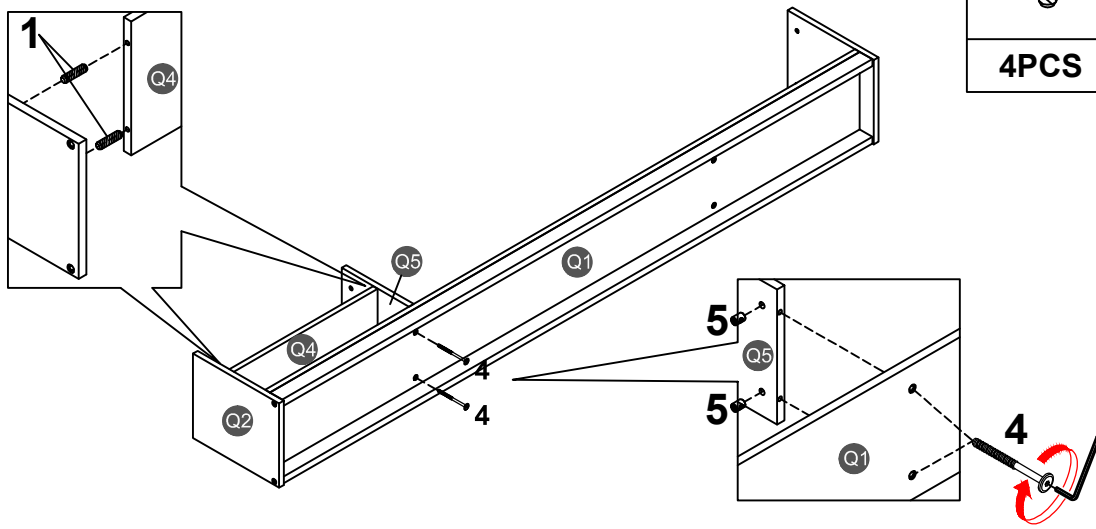
<b>1</b>		<b>4</b>		<b>5</b>	
	<b>4PCS</b>		<b>4PCS</b>		<b>4PCS</b>

**STEP 19:**



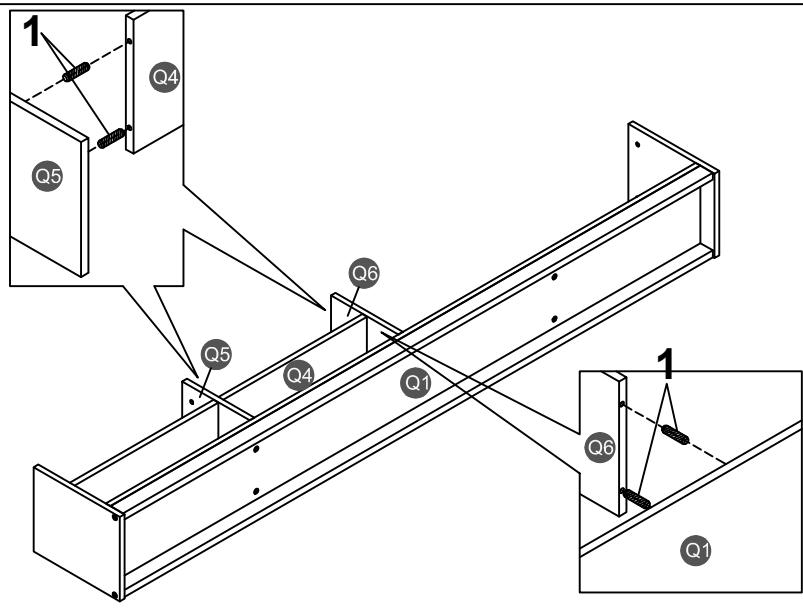
<b>7</b>	
<b>6PCS</b>	

**STEP 20:**



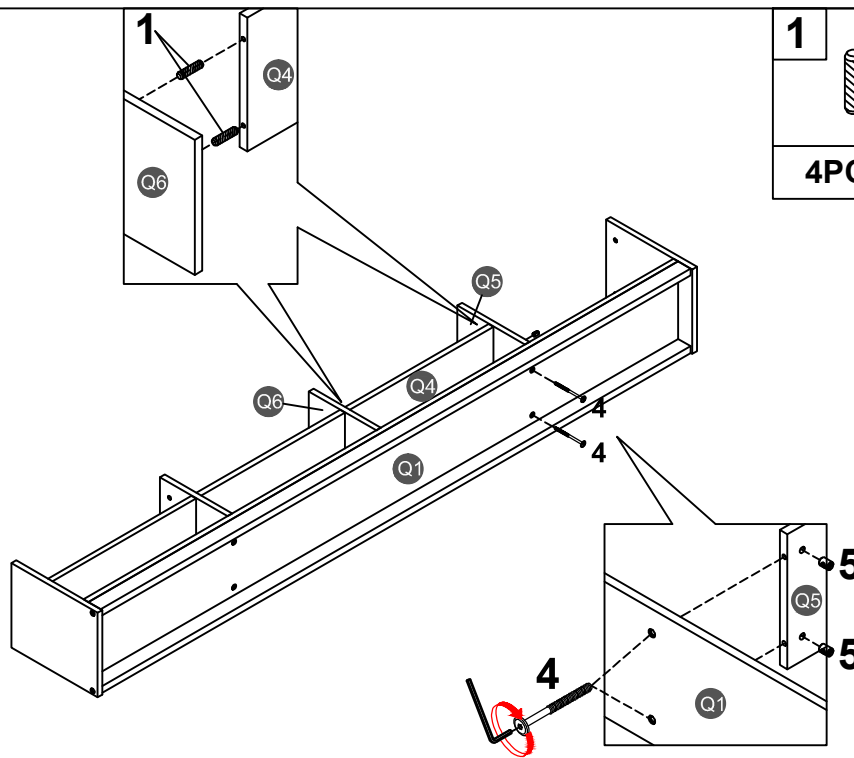
<b>1</b>		<b>4</b>	
<b>4PCS</b>		<b>2PCS</b>	
		<b>5</b>	
		<b>2PCS</b>	

**STEP 21:**



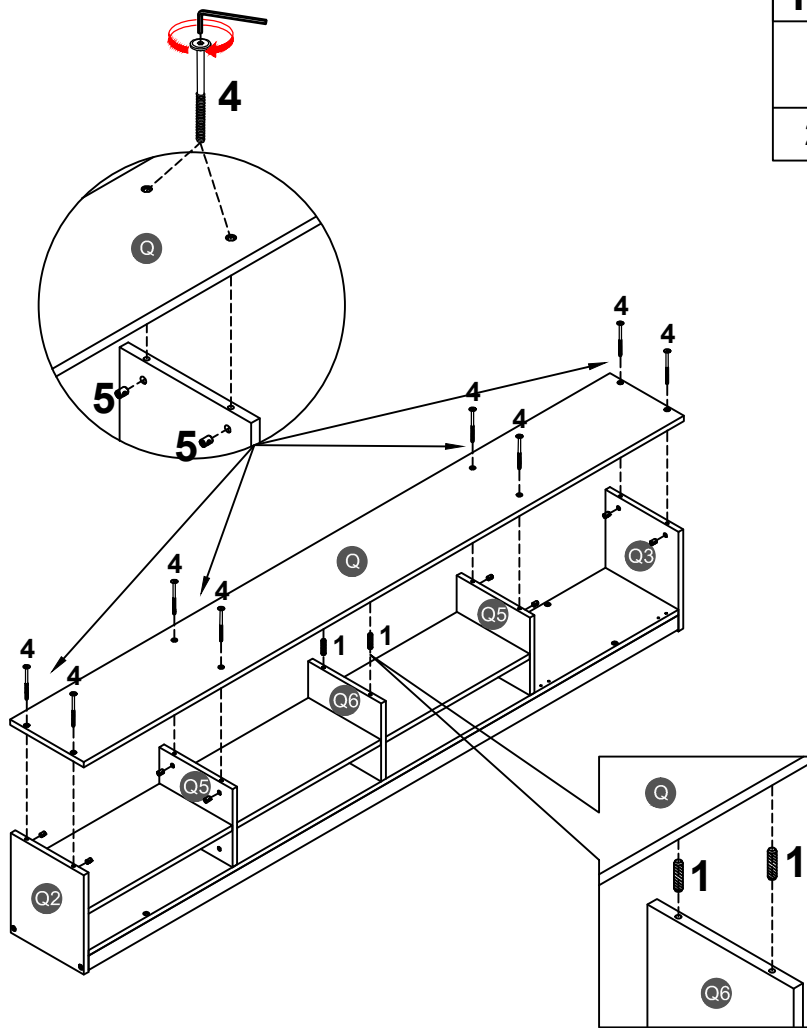
<b>1</b>	
<b>6PCS</b>	

**STEP 22:**



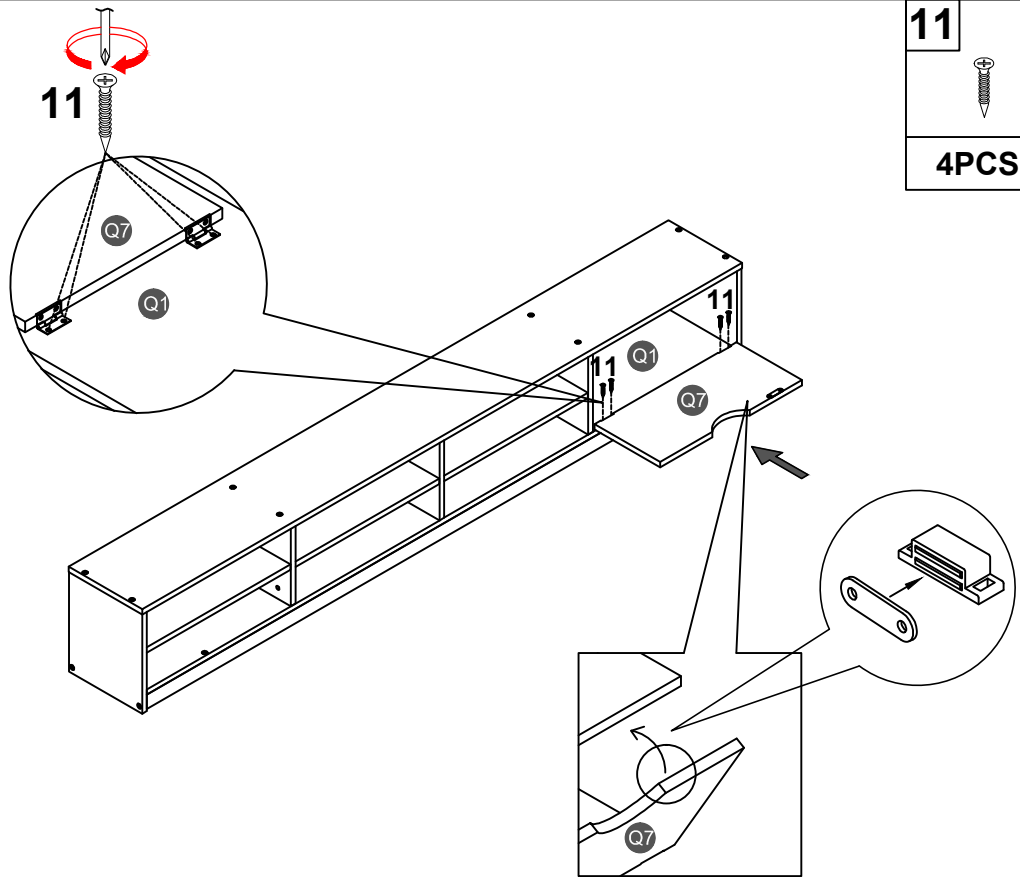
<b>1</b>		<b>4</b>	
<b>4PCS</b>		<b>2PCS</b>	
<b>5</b>			
		<b>2PCS</b>	

**STEP 23:**

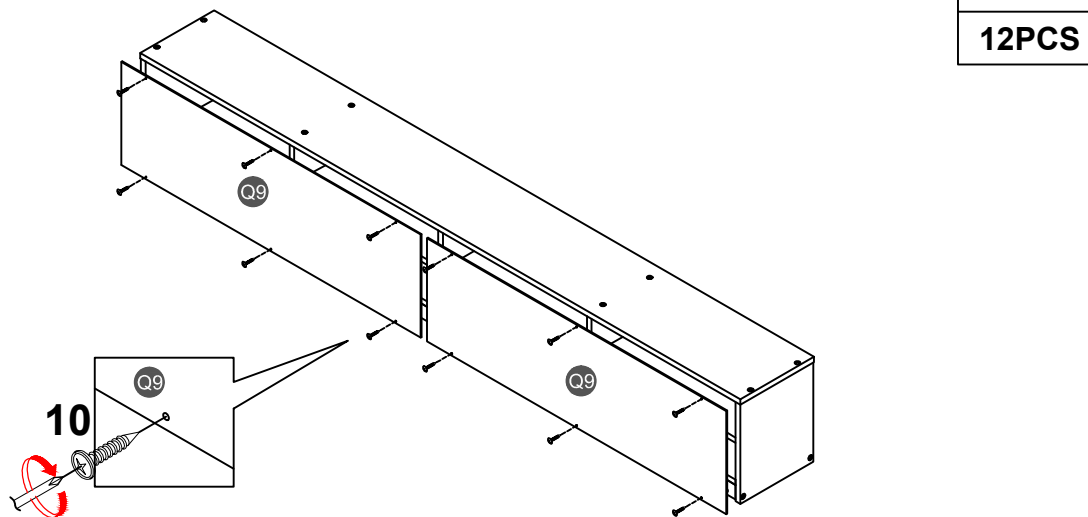


<b>1</b>		<b>4</b>	
<b>2PCS</b>		<b>8PCS</b>	
<b>5</b>			
		<b>8PCS</b>	

**STEP 24:**



**STEP 25:**



**STEP 26:**

