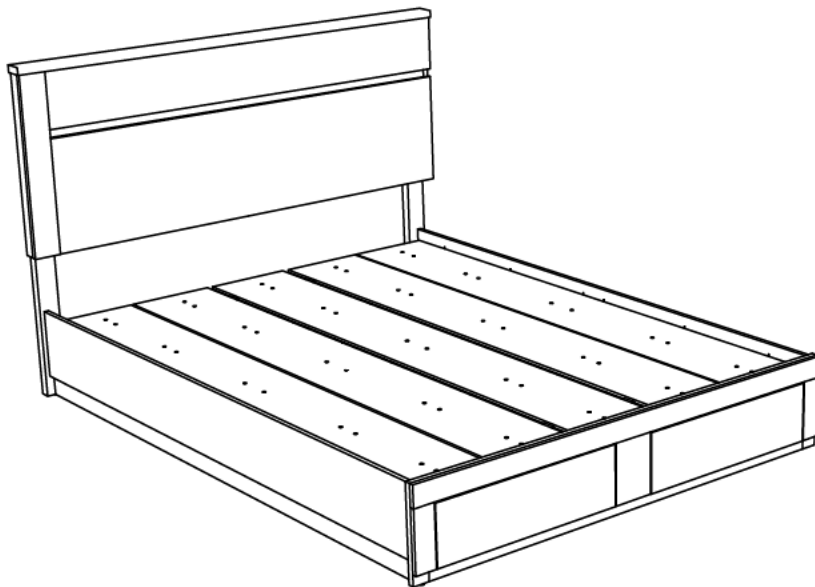


# ASSEMBLY INSTRUCTIONS

---



## TOOLS REQUIRED



Allen Wrench

(Included)



Phillips Screwdriver

(Not Included)



**2 - People Recommended**

## ASSEMBLY RATING



EASY → DIFFICULT

The Assembly Rating is a 5-point system showing the level of effort needed to assemble a specific product.



## **CHECK BEFORE STARTING**

### **Are you missing anything?**

Double-check all parts, hardware and accessories listed are all accounted for.

### **Check out our Quick Tips!**

We recommend reviewing the pre-assembly handouts. Even experts need a refresher now and then!

### **Should we send any replacements?**

Are there any irregularities or flaws in the parts? We can send replacements!

### **Prep Time!**

Please review the assembly instructions and all diagrams prior to assembling.

# PRE ASSEMBLY INTRODUCTION

We understand building ready-to-assemble furniture can be a challenging experience for some. To help avoid confusion, we have provided some helpful tips that may speed up the process.



## Teamwork

ALWAYS have at least two people to help with transporting and assembling the product to avoid potential injury and/or damage.



## Suitable Location

Assembling near the area of the intended location is highly recommended.



## Sufficient Space

Make sure you have enough space to move around during the assembly.



## Avoid Scratches

Use cardboard, blankets or a carpeted area while assembling furniture to prevent to prevent scratches and damages.



## Flat Surface

Make sure the furniture rests on a flat and level surface with each leg evenly touching the floor.

# ASSEMBLY AND CARE ADVICE



**FAILURE TO FOLLOW THE GUIDELINES BELOW MAY RESULT IN INJURY AND/OR PROPERTY DAMAGE.**



Position each part correctly and insert screws or bolts into their respective holes.



Turn clockwise to tighten and only tighten when step is completed or when instructed to do so.



Use the appropriate hand tools or power tools for assembly. Select steps, such as tightening screws and/or bolts, may require hand tools to avoid causing damage during assembly.



Save the instructions and store any supplied tools for later maintenance.



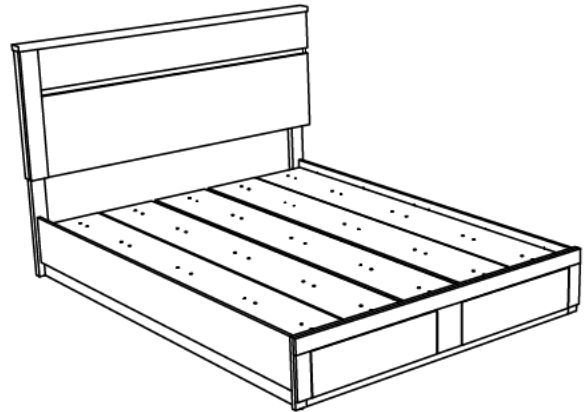
After two weeks, check and tighten any loose hardware and repeat again every six months thereafter.

**IT IS THE USER'S RESPONSIBILITY TO MAINTAIN THE FURNITURE. THE HARDWARE MAY LOOSEN OVER TIME AND MAY CAUSE THE FURNITURE TO BE WOBBLY AND UNABLE TO SUPPORT ITS INTENDED WEIGHT CAPACITY. THIS MAY LEAD TO COLLAPSE AND MAY CAUSE SERIOUS INJURY.**

# QUEEN SIZE BED



- Please keep instructions for future reference.
- Check the quantity and irregularity of parts and hardware before you start.



## PARTS

#1 1pc



Headboard

#2 1pc



Footboard

#3 2pcs



Headboard Leg (L&R)

#4 2pcs



Side Rail

#5 2pcs



Bed Slat with Marking  
-1545 x 45 x 18mm

#6 3pcs



Bed Slat without Marking  
-1545 x 45 x 18mm

#7 5pcs



Bed Slat Support  
-230 x 30 x 30mm

#8 5pcs



Concealed Panel  
-2040 x 295 x 9mm

#9 2pcs



Drawer

#10 2pcs



Drawer Bottom Panel

## HARDWARE

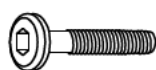
### HARDWARE INSIDE HEADBOARD

#A 1pc



Allen Key M4

#B 6pcs



Bolt 1/4" x 1-3/8"

#C 6pcs



Lock washer

#D 6pcs



Flat washer

### HARDWARE INSIDE SIDE RAIL

#E 10pcs



CSK m4 x 32mm

#F 5pcs



Bolt 1/4" x 2"

#G 25pcs



Pan Head Screw  
m3.5 x 20mm

#H 1pc



Allen Key M4

#I 1pc



Allen Key M5






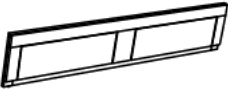


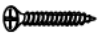

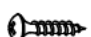






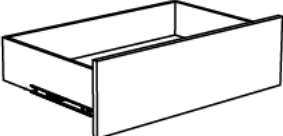
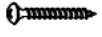
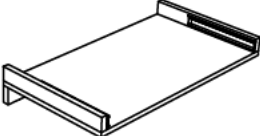
### HARDWARE INSIDE DRAWER

#J 8pcs



Pan Head Screw  
m4 x 25mm

## packed in 3 cartons

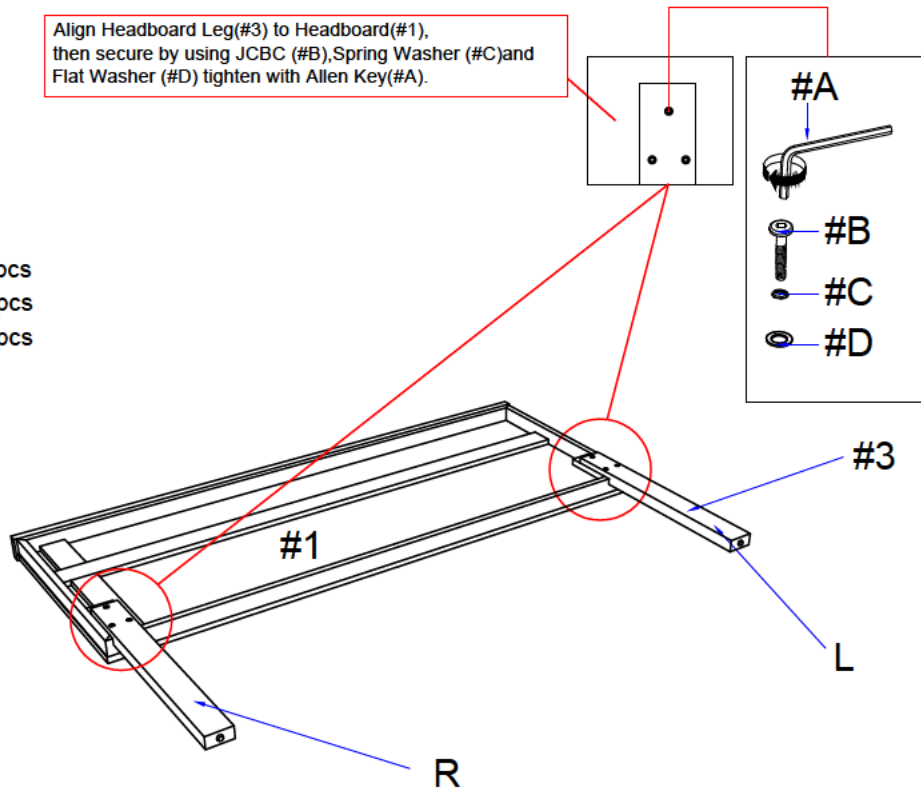
	Designation	Part	Hardware	
	<b>Queen Size Bed HB, FB &amp; HB Legs</b>	#1 	 #A x 1pc  #B x 6pcs  #C x 6pcs  #D x 6pcs	
		#2 		
		#3  X 2		
	<b>Queen Size Bed Rails</b>	#4  X 2	 #E x 10pcs  #F x 5pcs  #G x 25pcs  #H x 1pc  #I x 1pc	
		#5  X 2		
		#6  X 3		
		#7  X 5		
		#8  X 5		
		#9  X 2		 #J x 8pcs
		#10  X 2		

# ASSEMBLY INSTRUCTIONS

1

- Part #1 x1pc
- Part #3 x2pcs
- Hardware #B x6pcs
- Hardware #C x6pcs
- Hardware #D x6pcs

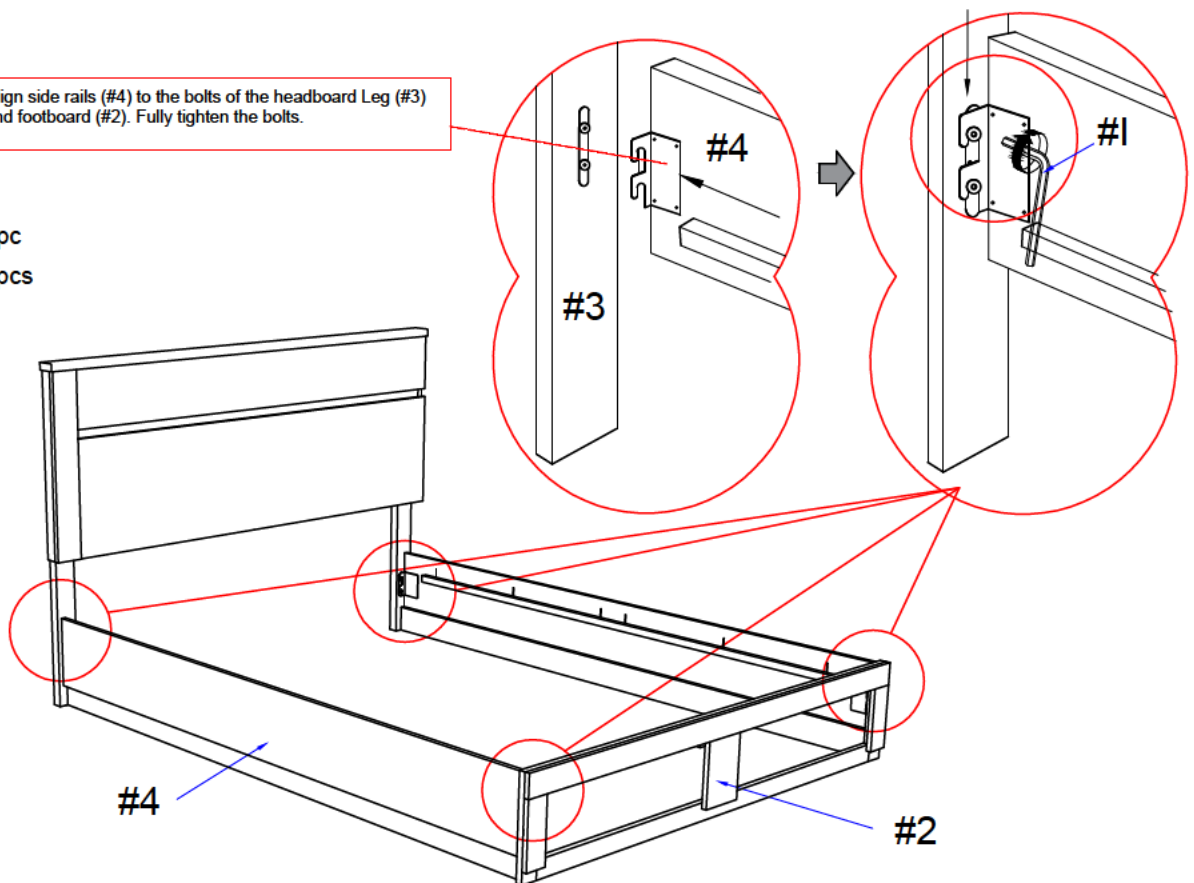
Align Headboard Leg(#3) to Headboard(#1), then secure by using JCBC (#B), Spring Washer (#C) and Flat Washer (#D) tighten with Allen Key(#A).



2

- Part #2 x1pc
- Part #4 x2pcs

Align side rails (#4) to the bolts of the headboard Leg (#3) and footboard (#2). Fully tighten the bolts.



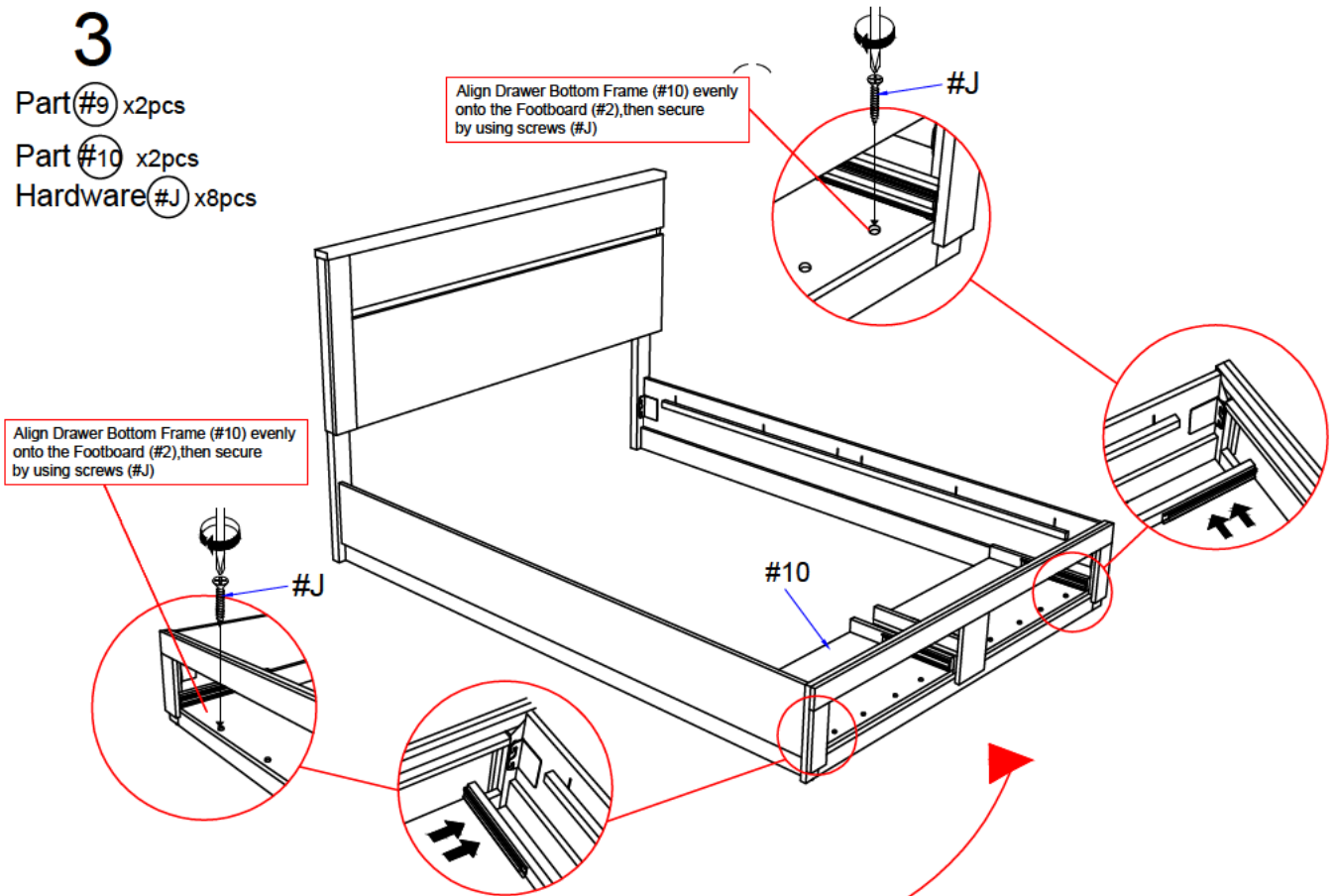
# ASSEMBLY INSTRUCTIONS

## 3

Part (#9) x2pcs

Part (#10) x2pcs

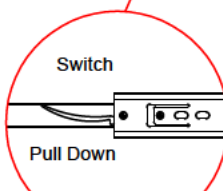
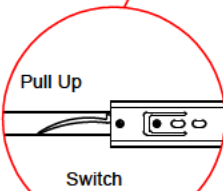
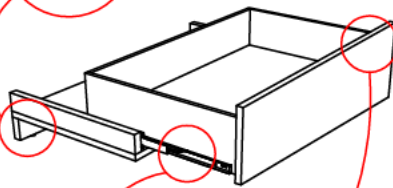
Hardware (#J) x8pcs



### Remove Drawer



Adjustable Leveler

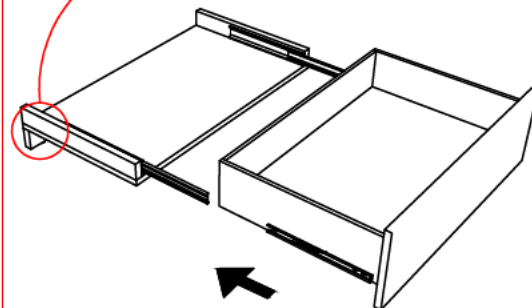


Pull the Drawer(#9) to fully extend rail to see the switch. Then, using both hands pull UP the switch on left hand side and pull DOWN the switch on right hand side. Then remove the drawer from the Drawer Bottom Panel (#10).

### Install Drawer



Adjustable Leveler

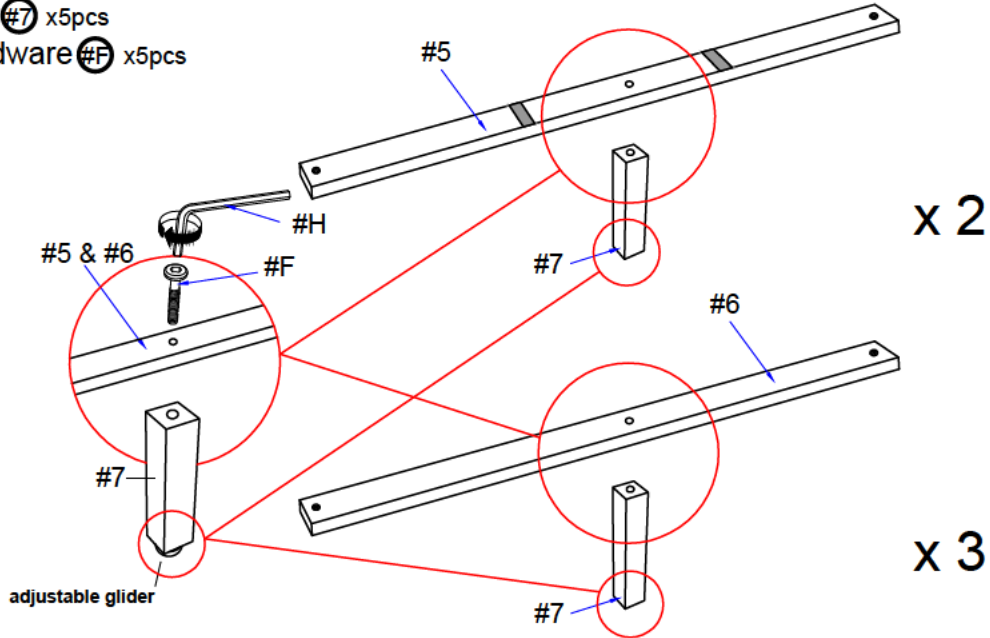


Pull the runner from the Drawer Bottom Panel(10) and align Drawer (#9) evenly to each side and push slowly towards Footboard(#2).

# ASSEMBLY INSTRUCTIONS

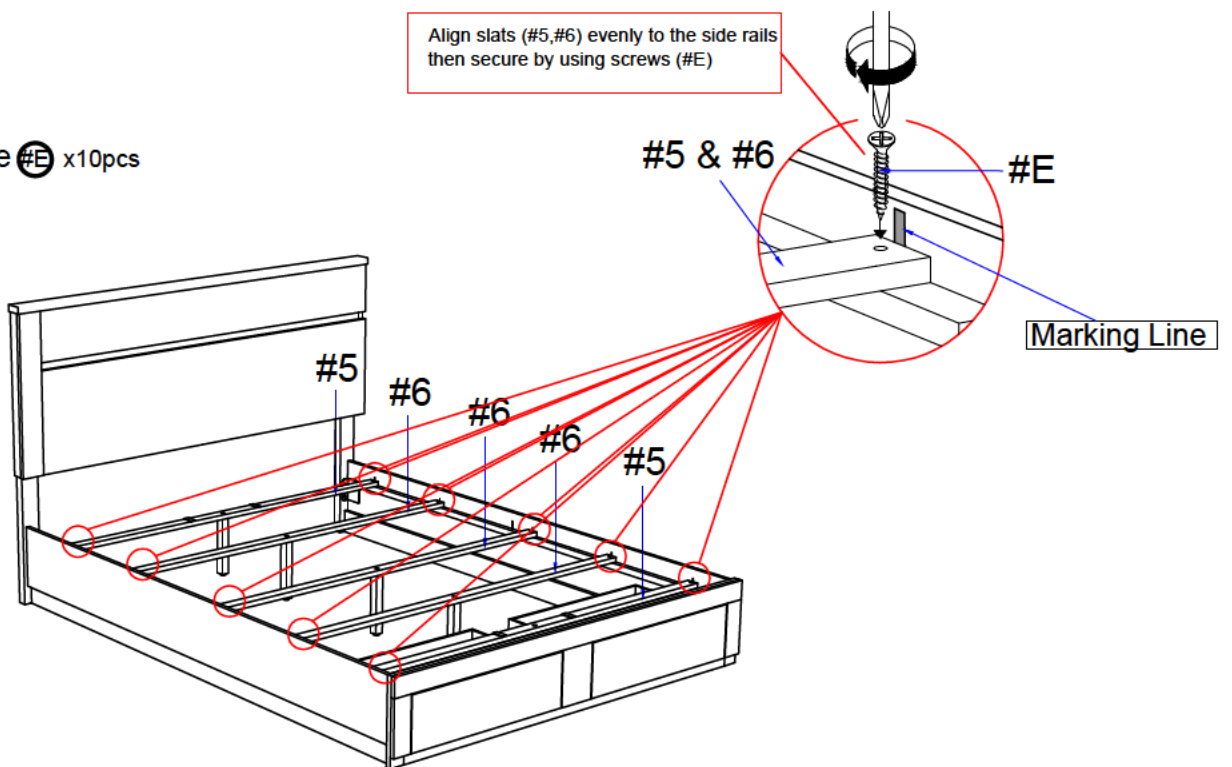
## 4

- Part #5 x2pcs
- Part #6 x3pcs
- Part #7 x5pcs
- Hardware #F x5pcs



## 5

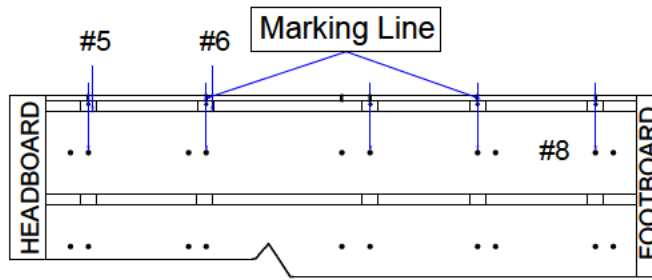
- Hardware #E x10pcs



# ASSEMBLY INSTRUCTIONS

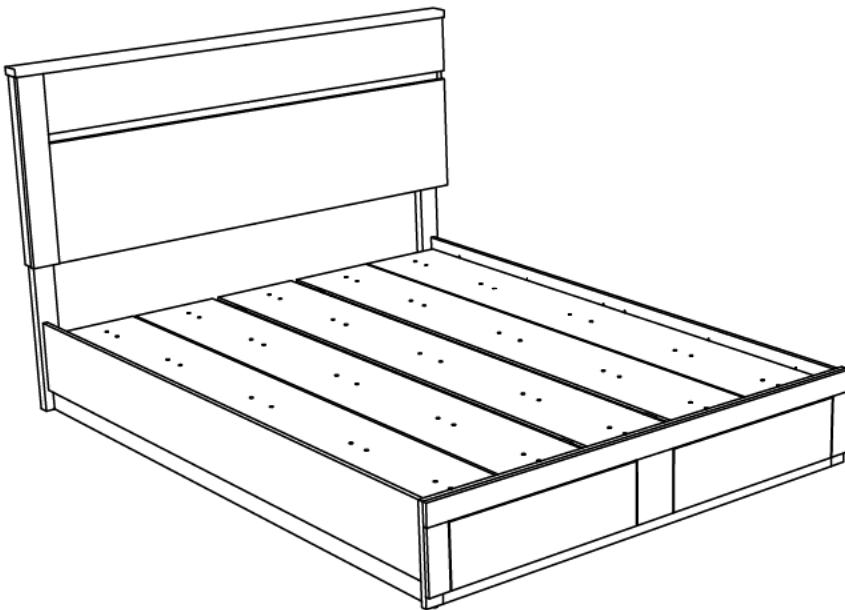
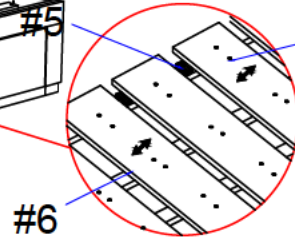
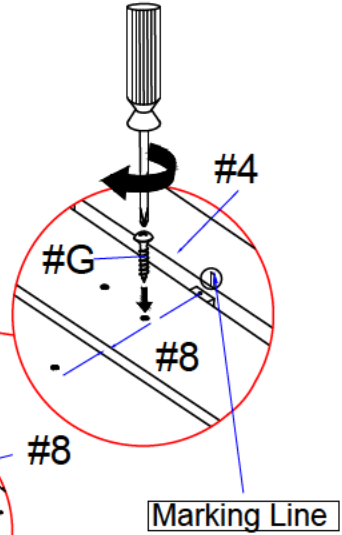
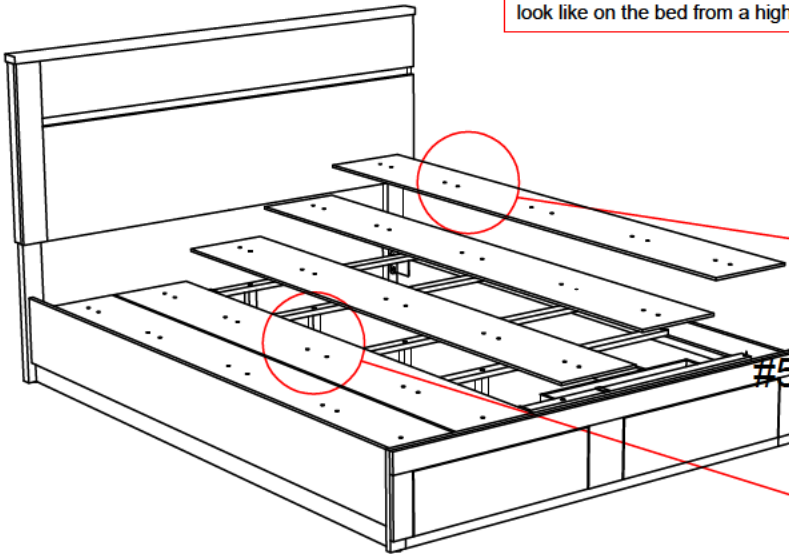
6

Part #8 x5pcs  
Hardware #G x25pcs



- 1) Please refer to steps (#5) on how to align and place concealed panels(#8) correctly.
- 2) Secure concealed panels (#8) to bed slats by using screws (#G).

This is how the concealed panel (#8) look like on the bed from a high view.



**ASSEMBLY COMPLETED**

Please ensure the furniture rests on an even and flat surface. If the product wobbles or feels loose, double-check all bolts and/or screws are properly tightened and secured.

- ✓ **Keep this handy!**  
Please retain this instruction manual and any order-related information for future reference.
- ✓ **Lift, don't drag!**  
To avoid damage to product please always LIFT the product when transporting or adjusting the placement.