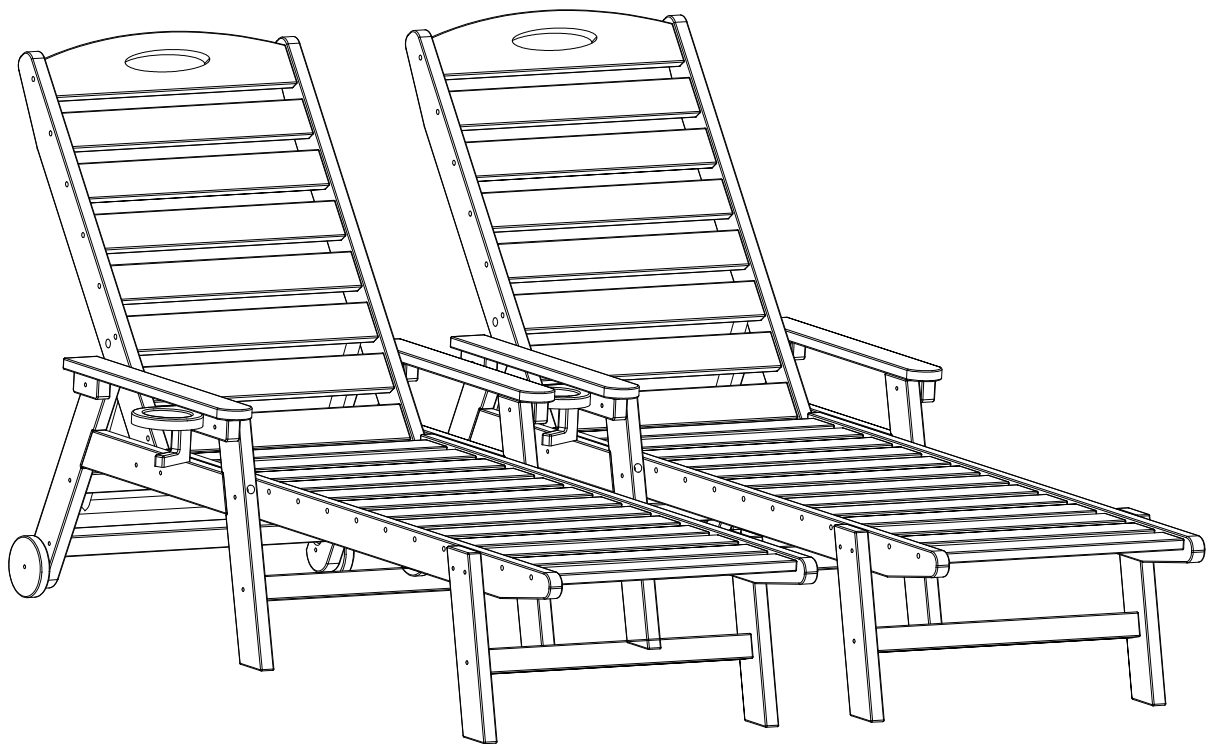


# 2 Pcs Patio Chaise Lounge

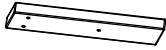



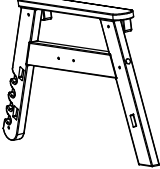
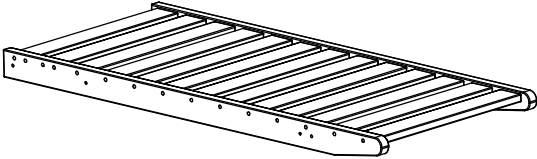
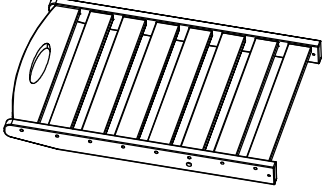

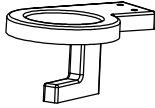
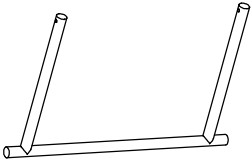
## **ASSEMBLY MANUAL**

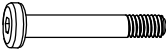
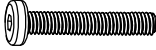





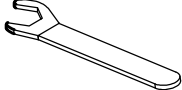



## BEFORE STARTING ASSEMBLY

- ① Please check all parts and components to ensure that there are no damages or missing items BEFORE starting the construction of the product.
- ② For ease of construction, you may need a Power Drill (Cordless, Variable Speed).
- ③ It would be much easier to assemble the product with two or more people.
- ④ Some parts have metal edges. Please be careful when handling components.
- ⑤ Cleaning tips: For a quick clean, simply wipe with soap and water; for a deep clean, use a clean cloth to apply a solution of 1/3 bleach and 2/3 water to the lumber, let it sit for a few minutes (this won't affect the color), then loosen dirt and debris in surface grooves with a soft-bristle brush and rinse with a hose.

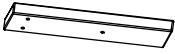
**IMPORTANT:** Please contact Customer Service if you have any problems or discover any missing parts.

A		2
B		2
C		8
D		2
E		2
F		2
G		2
H		4
I		2
J		2

1	 M6X60	20
2	 M6X55	4
3	 M6X50	4
4	 st6*60	16
5	 M6X30	2
6	 D6	28
7	 M6	28
8		1
9	 S4	1

## Step1

(A) 1X



(B) 1X



(C) 1X

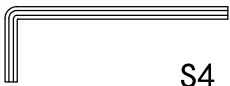


(4) 2X

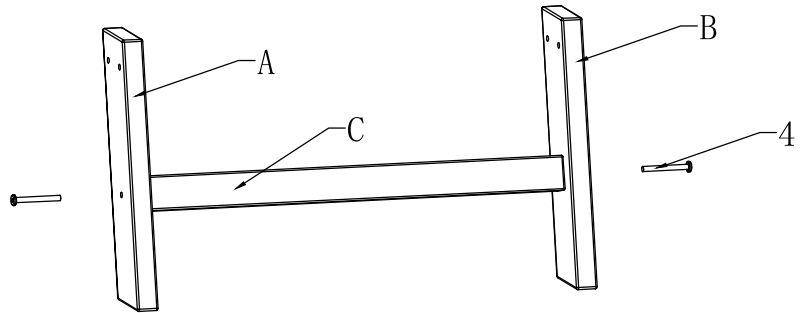


st6\*60

(9) 1X



S4



Attach Brace #C to Leg #A and Leg #B with 2 Screws #4.

## Step2

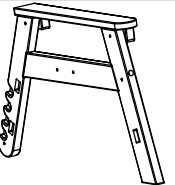
(C) 3X



(D) 1X



(E) 1X



(4) 6X

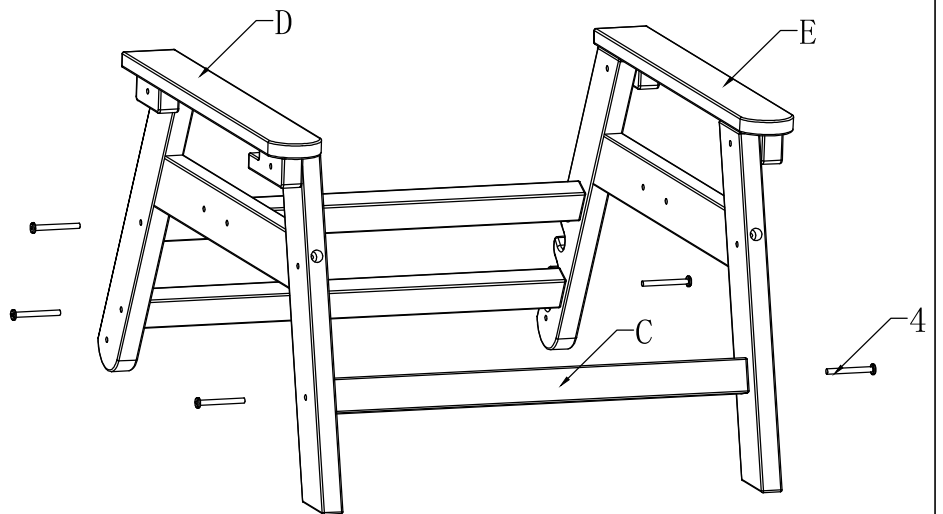


st6\*60

(9) 1X

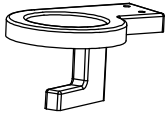


S4



Attach 3 Braces #C to Armrest Part#D and Armrest Part#E with 6 Screws #4.

① 1X



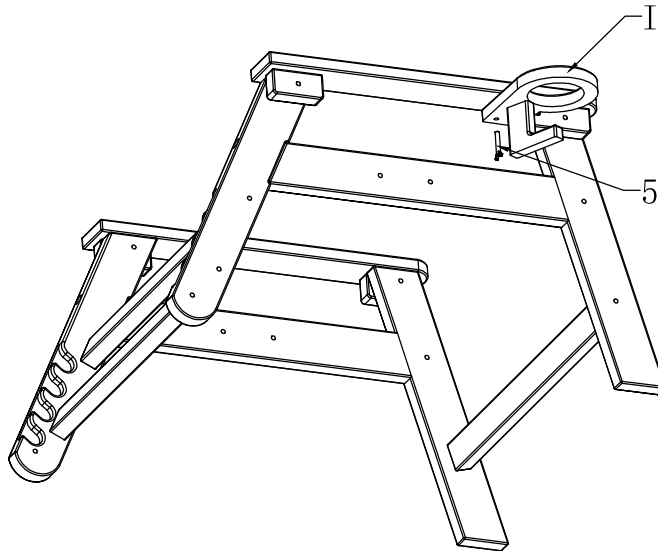
⑤ 1X



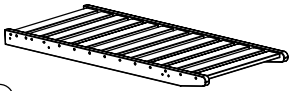
M6X30

### Step3

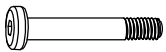
Attach the Cup holder #1 with Bolts #5.



⑦ 1X



① 8X



M6X60

⑥ 8X



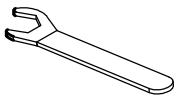
D6

⑦ 8X

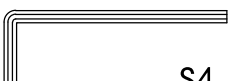


M6

⑧ 1X



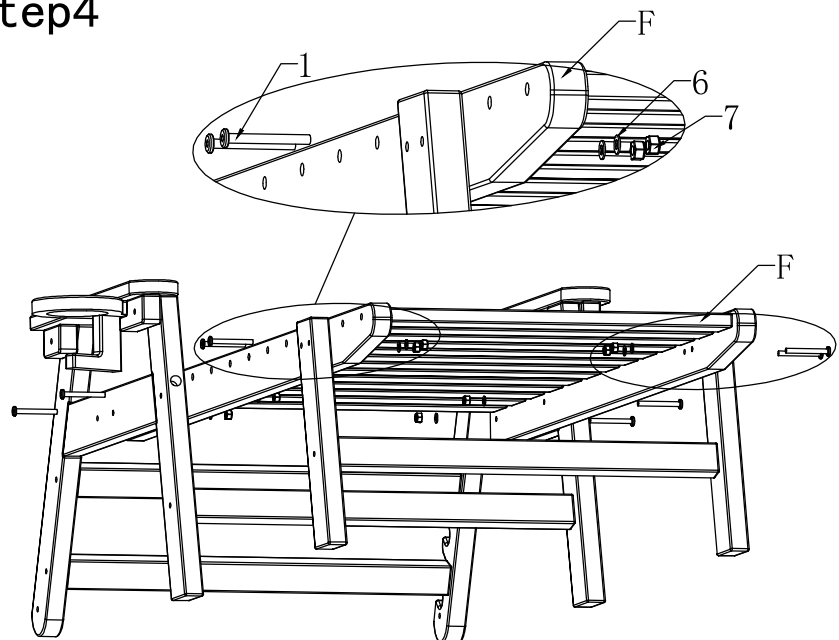
⑨ 1X

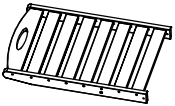
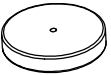
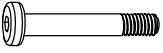



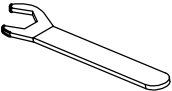
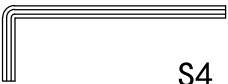
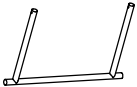



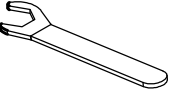
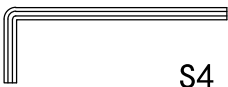


S4

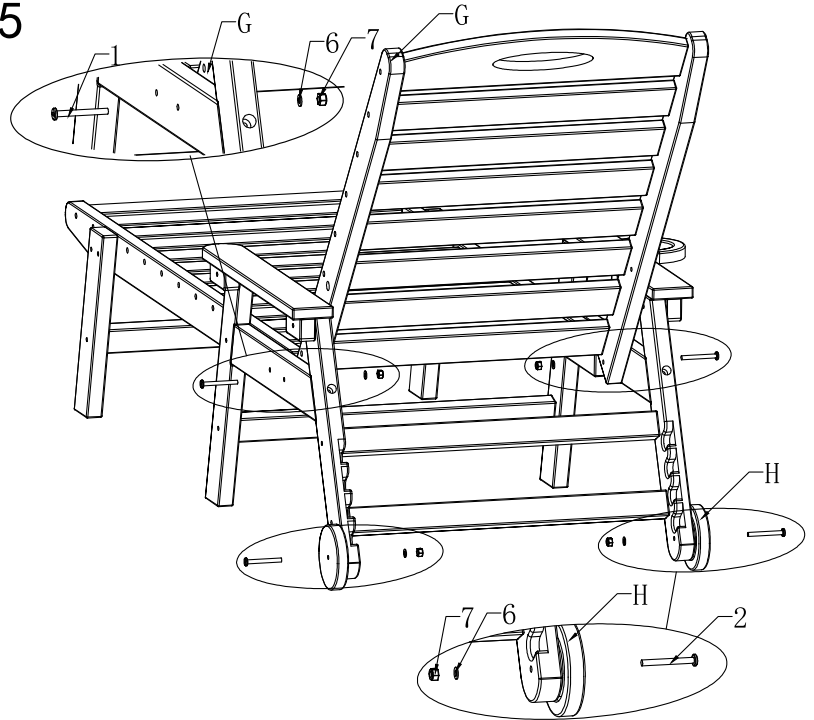
### Step4

Attach the Seat Slats#F to assembled related structure with 8 Bolts#1,Washers#6 and Nuts#7.



Ⓒ	1X	
Ⓗ	2X	
①	2X	 M6X60
②	2X	 M6X55
⑥	4X	 D6
⑦	4X	 M6
⑧	1X	
⑨	1X	 S4
Ⓙ	1X	
③	2X	 M6X50
⑥	2X	 D6
⑦	2X	 M6
⑧	1X	
⑨	1X	 S4

### Step5



- (1) Attach Backrest Slats#G with 2 Bolts#1, Washers#6 and Nuts#7.
- (2) Attach the Wheels#H to the bottom of the chair with 2 Bolts#2, Washers#6 and Nuts#7.

### Step6



Attach Support Part#J with 2 Bolts#3, Washers#6 and Nuts#7