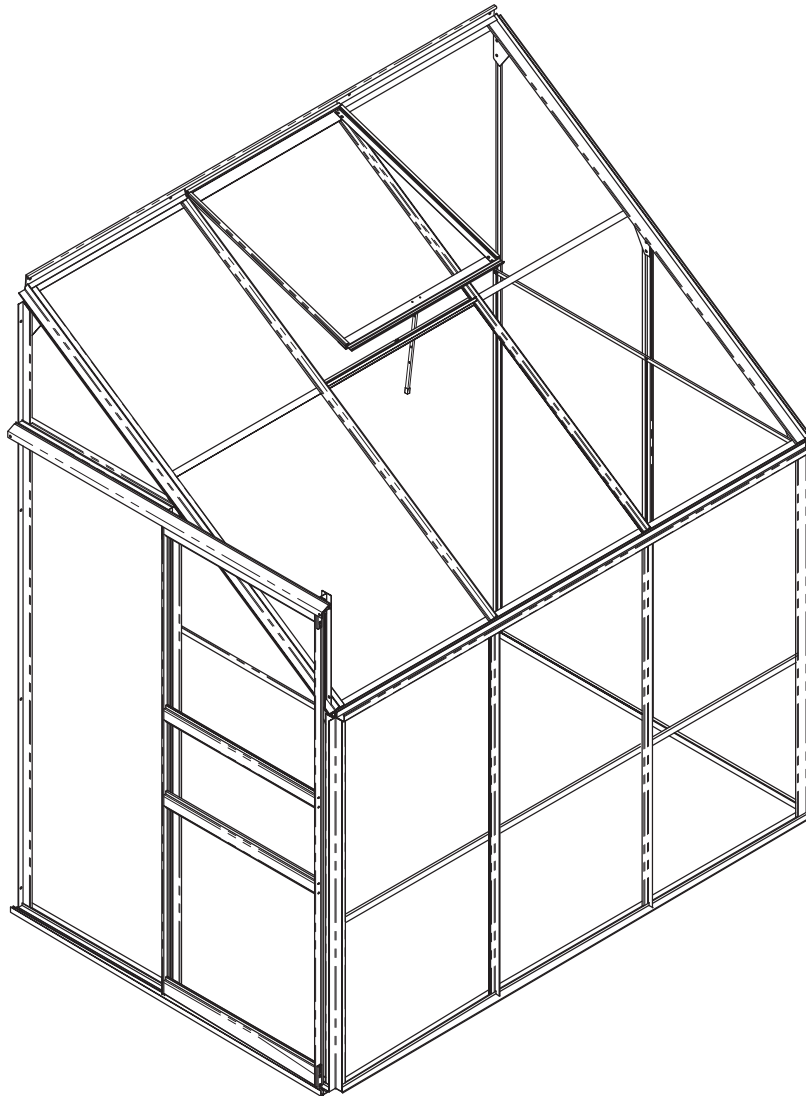


OGAL-46A

GREENHOUSE ASSEMBLY

INSTRUCTIONS



Machrus Cornwall, NY 12518

Email:

US/Canada: Support@machrus.com

UK: support@machrus.co.uk

Phone:

US/Canada: 1-888-965-3331

UK: 020-3150-0484

Check out our website:

www.Machrus.com

TO PREVENT INJURY, READ AND UNDERSTAND THE GREENHOUSE ASSEMBLY INSTRUCTIONS BEFORE USE.

Notes:

1. It takes about 2-3 hours to assemble the greenhouse by 2-3 persons.
2. The UV-protected side of the sheet is covered with opal white film and must face towards the sun.
3. Remove approximately 2 inches of film from all sheet edges before installing. Removing all film immediately after the construction is completed
4. Make sure the greenhouse is located on a flat, level surface.

GENERAL SAFETY, WARNINGS AND PRECAUTIONS

KEEP WORK AREA CLEAN AND DRY.

Cluttered, damp or wet work areas invite injuries.

STAY ALERT. Watch what you are doing at all times. Use common sense. Do not use the greenhouse when you are tired or distracted from the job at hand. It is recommended to use gloves for assembling the greenhouse.

MAINTAIN THIS PRODUCT WITH CARE.

Keep the greenhouse clean and dry for better performance: maintenance should be performed regularly.

USE THE RIGHT PRODUCT FOR THE JOB.

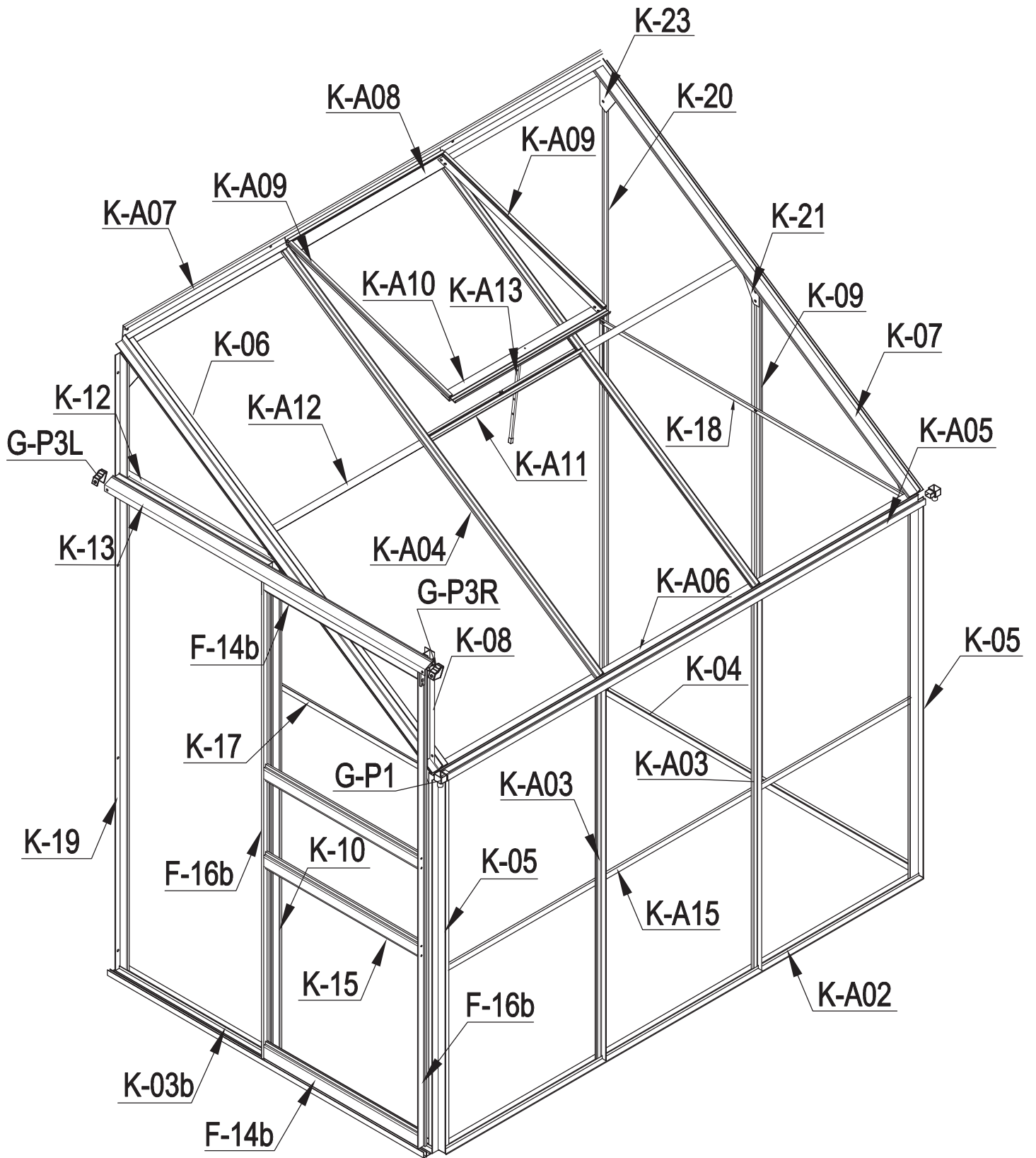
Do not attempt to force a small product to do the work of a larger industrial product. There are certain applications for which the greenhouse was designed. It will do the job better and more safely in the manner for which it was intended. Do not modify the greenhouse and do not use the greenhouse for a purpose for which it was not intended.

MAINTAIN A SAFE WORKING ENVIRONMENT.

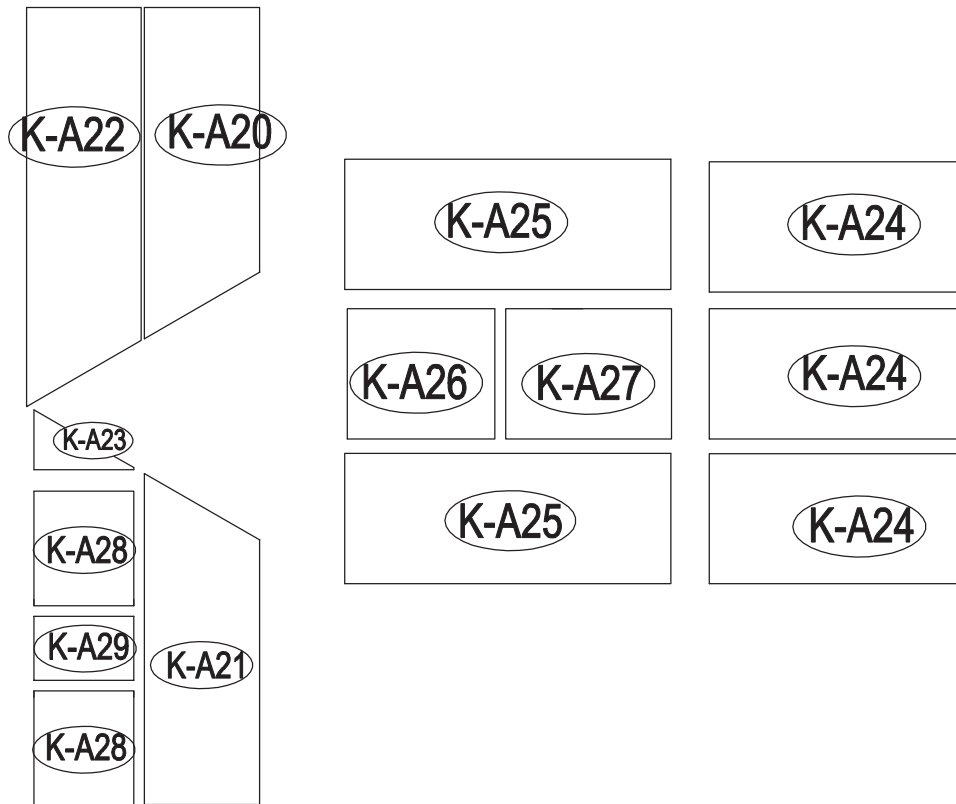
Keep the work area tidy. Make sure there is adequate surrounding workspace. Avoid high traffic areas. Always keep the work area free of obstructions, grease, oil, trash and other debris.

PROPER GREENHOUSE LOCATION.

Make sure the greenhouse is located on a flat, level surface.



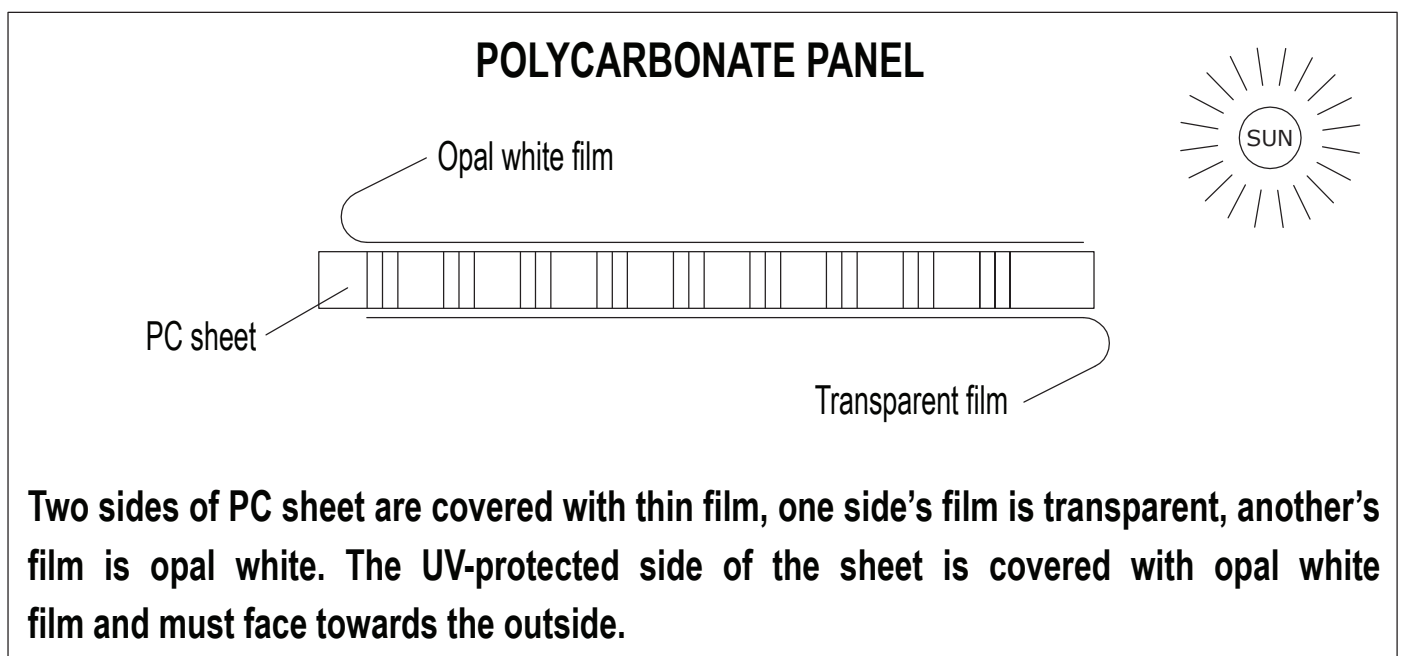
Rear



Front

Notes.

1. Remove approximately 5mm of film from all sheet edges before installing. Remove all film immediately after the construction completed.
2. The UV-protected side of the sheet is covered with opal white film and must face towards the sun.



Parts


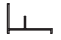
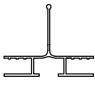
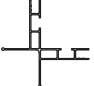

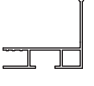



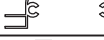







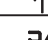







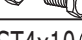
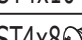





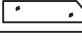
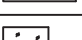
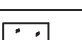
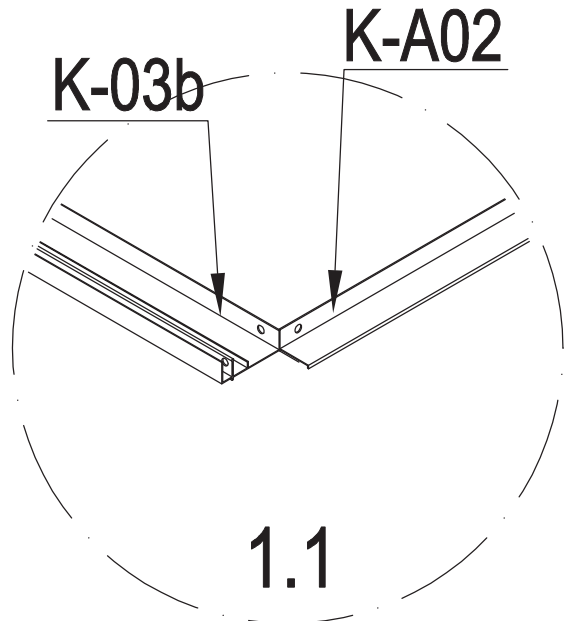
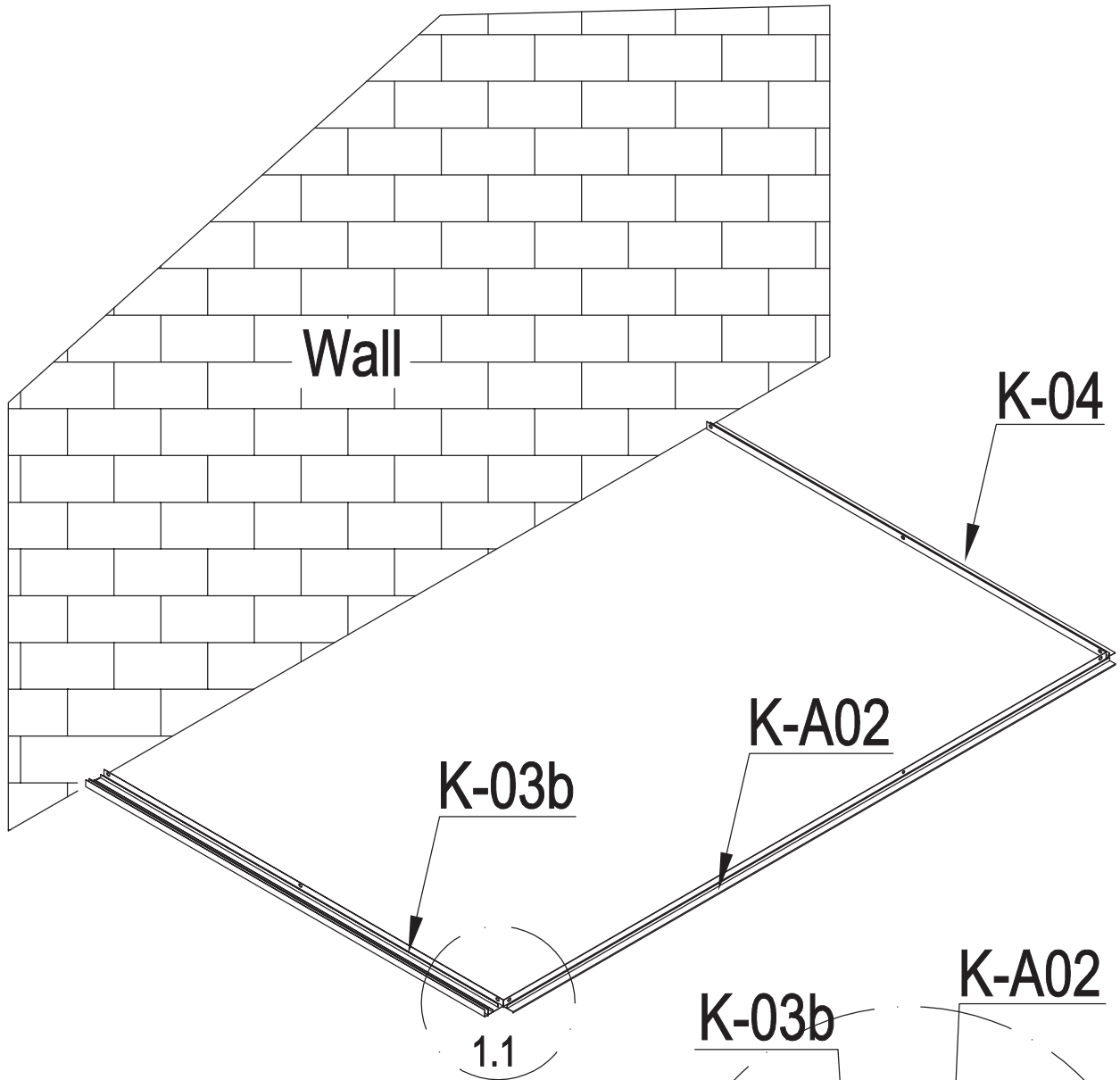
Image	Item #	Size	Qty	SKU #
	K-03b	1215mm	x1	OGRPT-K-03b
	K-04	1215mm	x1	OGRPT-K-04
	K-A02	1833mm	x1	OGRPT-K-A02
	K-A03	1240mm	x2	OGRPT-K-A03
	K-A04	1456mm	x2	OGRPT-K-A04
	K-09	1651mm	x1	OGRPT-K-09
	K-05	1240mm	x2	OGRPT-K-05
	K-06	1465mm	x1	OGRPT-K-06
	K-07	1465mm	x1	OGRPT-K-07
	K-08	380mm	x1	OGRPT-K-08
	K-10	1644mm	x1	OGRPT-K-10
	K-19	2044mm	x1	OGRPT-K-19
	K-20	2044mm	x1	OGRPT-K-20
	K-12	580mm	x1	OGRPT-K-12
	K-13	1230mm	x1	OGRPT-K-13
	F-14b	600mm	x2	OGRPT-F-14b
	K-15	600mm	x2	OGRPT-K-15
	F-16b	1615mm	x2	OGRPT-F-16b
	K-17	620mm	x1	OGRPT-K-17
	K-18	1203mm	x1	OGRPT-K-18
	K-21		x4	OGRPT-K-21
	F-22b		x4	OGRPT-F-22b
	K-23		x2	OGRPT-K-23
	K-A05	1836mm	x1	OGRPT-K-A05
	K-A06	1833mm	x1	OGRPT-K-A06
	K-A07	1833mm	x1	OGRPT-K-A07
	K-A08	595mm	x1	OGRPT-K-A08
	K-A09	650mm	x2	OGRPT-K-A09
	K-A10	595mm	x1	OGRPT-K-A10
	K-A11	620mm	x1	OGRPT-K-A11
	K-A12	1816mm	x1	OGRPT-K-A12
	K-A13	360mm	x1	OGRPT-K-A13
	K-A15	1816mm	x1	OGRPT-K-A15
	K-A19		x10	OGRPT-K-A19
	K-A31		x73	OGRPT-K-A31
	K-A31a		x12	OGRPT-K-A31a
	K-A32		x6	OGRPT-K-A32
	G-P1		x2	OGRPT-G-P1
	G-P3L		x1	OGRPT-G-P3L
	G-P3R		x1	OGRPT-G-P3R

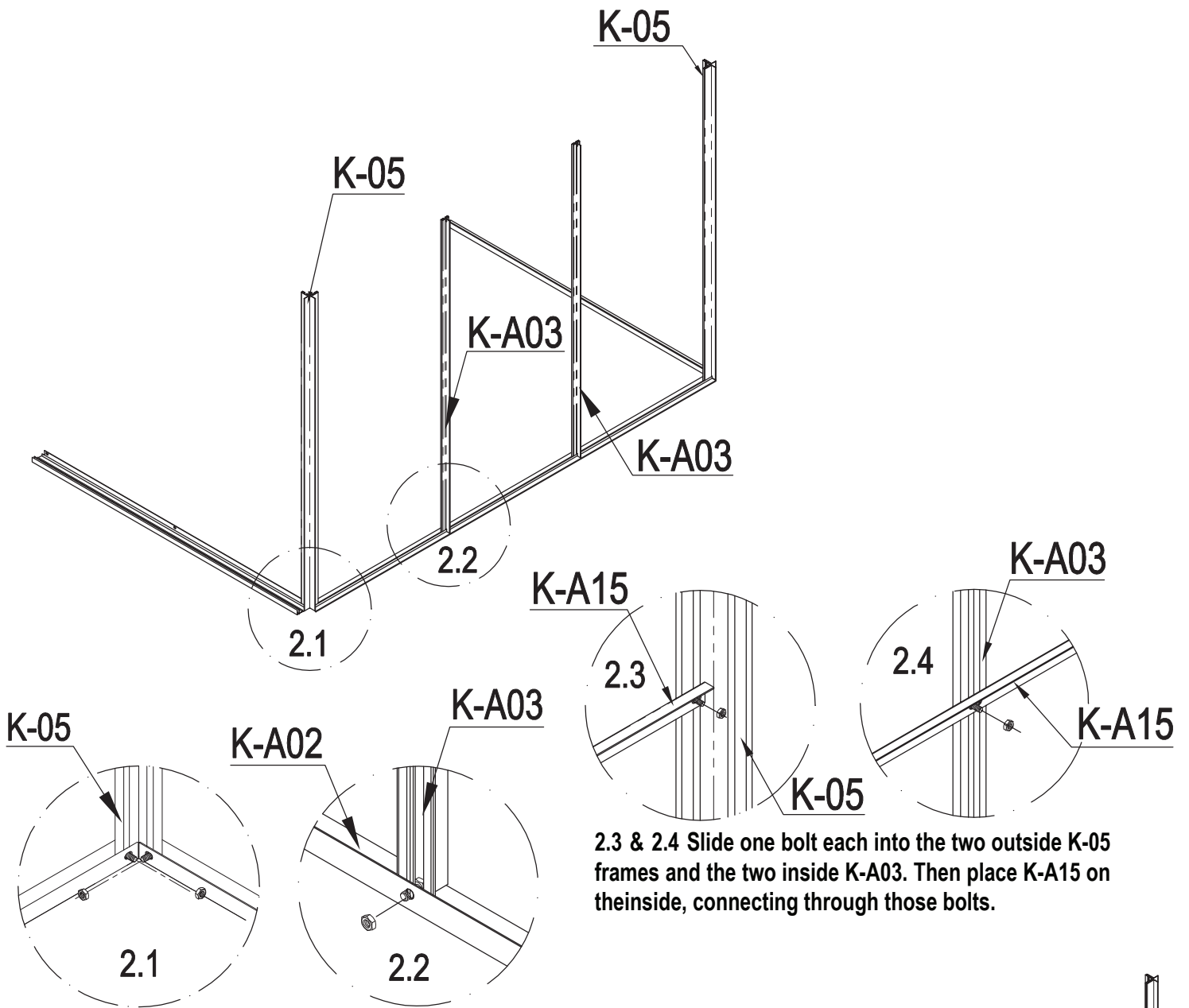
Image	Item #	Size	Qty	SKU #
	K-A20	1644mmx585mm	x1	OGRPT-K-A20
	K-A21	1644mmx585mm	x1	OGRPT-K-A21
	K-A22	2038mmx570mm	x1	OGRPT-K-A22
	K-A23		x1	OGRPT-K-A23
	K-A24	1238mmx585mm	x3	OGRPT-K-A24
	K-A25	1473mmx585mm	x2	OGRPT-K-A25
	K-A26	677mmx597mm	x1	OGRPT-K-A26
	K-A27	812mmx585mm	x1	OGRPT-K-A27
	K-A28	590mmx598mm	x2	OGRPT-K-A28
	K-A29	251mmx598mm	x1	OGRPT-K-A29



Parts used in this section.

Image	Item #	Quantity
	K-A02	1
	K-03b	1
	K-04	1

Align parts K-03b, K-A02, and K-04 each at a right angle, ensuring that the grooves are on the outside.

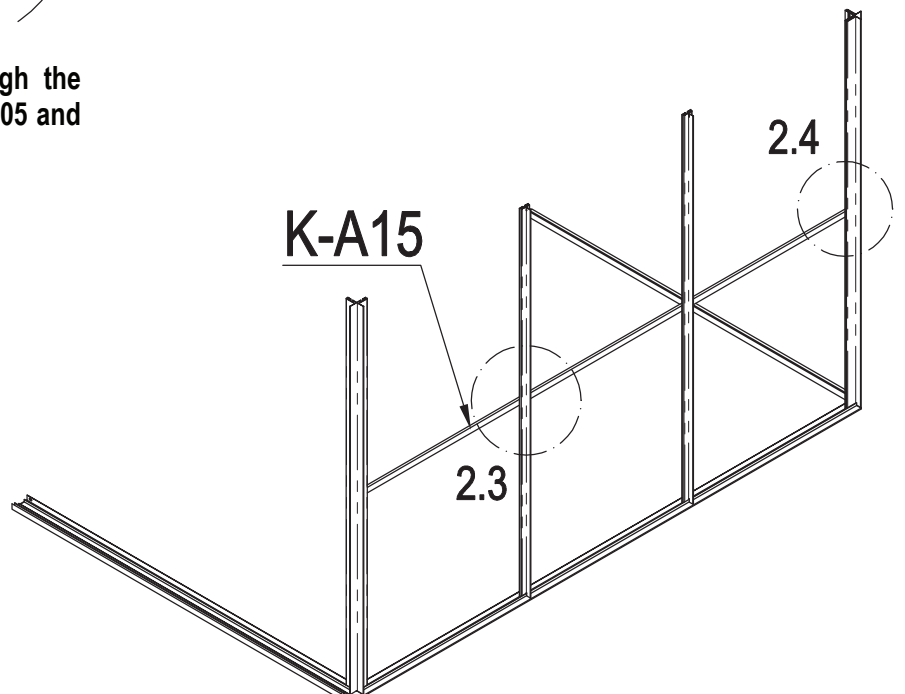


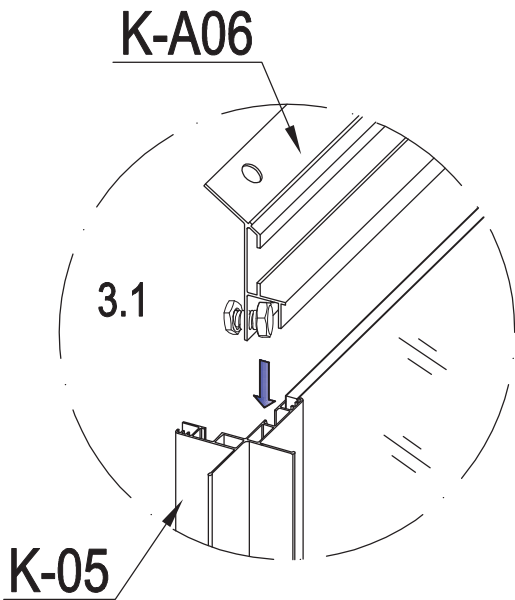
2.1 & 2.2 Insert the bolts (K-A31) in through the holes in K-03b, K-A02 & K-04, then insert K-05 and K-A03 into the bolts and tighten the nuts.

2.3 & 2.4 Slide one bolt each into the two outside K-05 frames and the two inside K-A03. Then place K-A15 on the inside, connecting through those bolts.

Parts used in this section.

Image	Item #	Quantity
	K-A15	1
	K-05	2
	K-A03	2
	K-A31	10



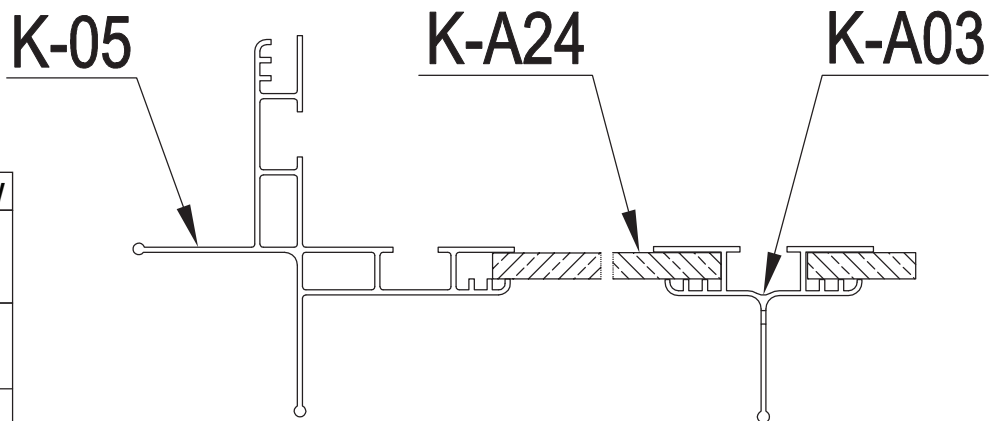
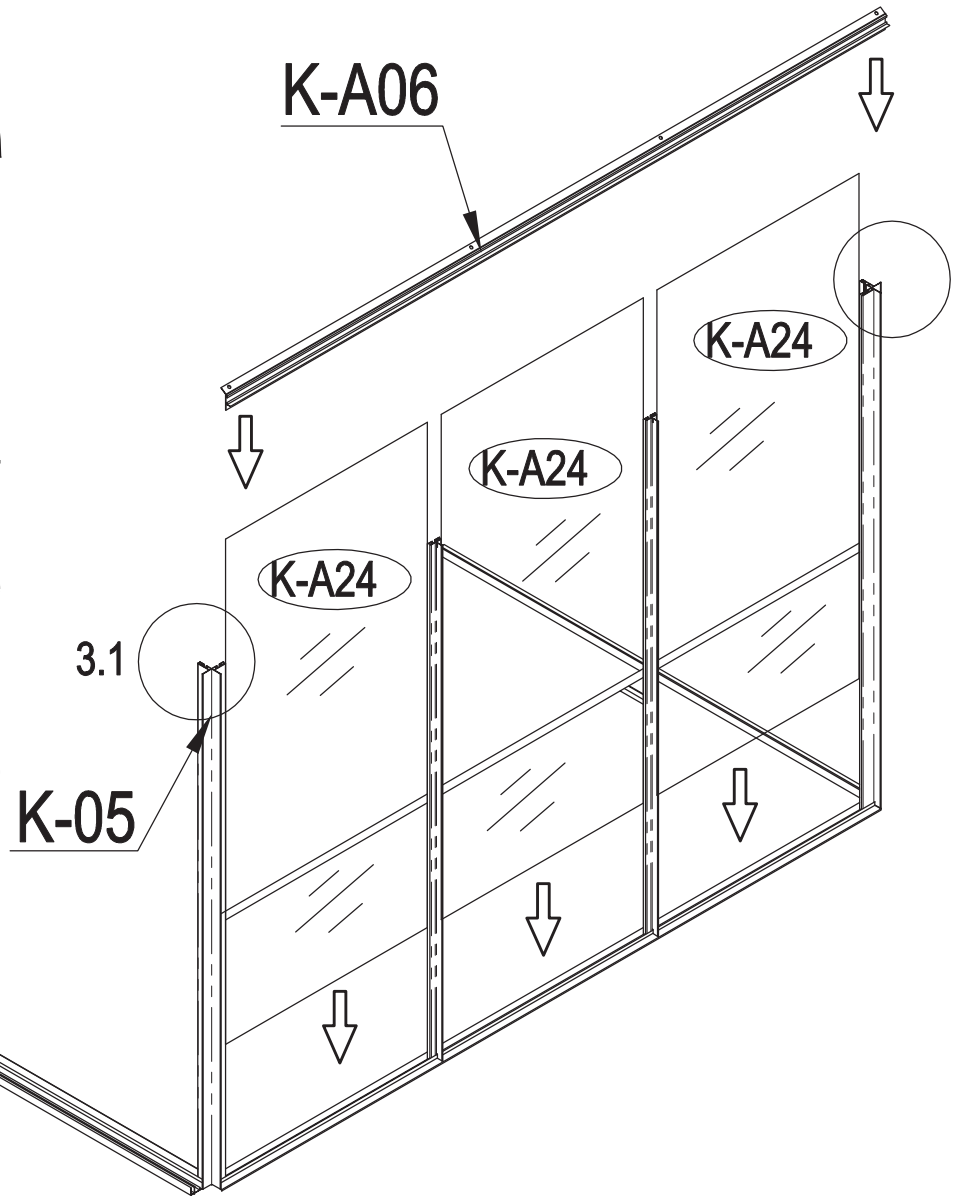


3.1 Slide each of the three K-A24 panels all the way down into each section along the longer wall.

3.2 Slide top frame K-A06 over all three panels.

3.3 Secure K-A06 with nuts and bolts, but do not tighten yet.

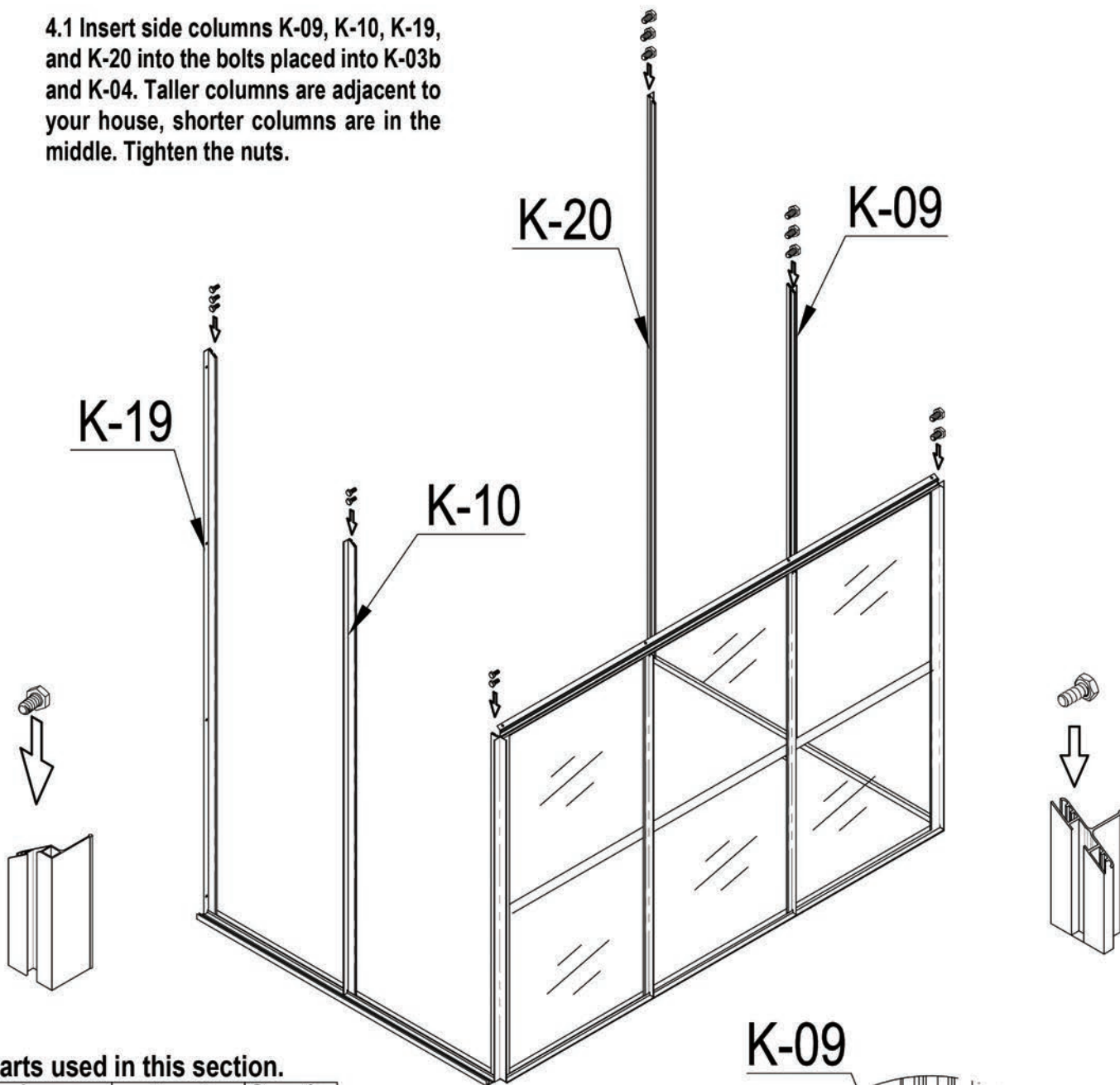
3.4 Insert those bolts into the grooves of K-05.



Parts used in this section.

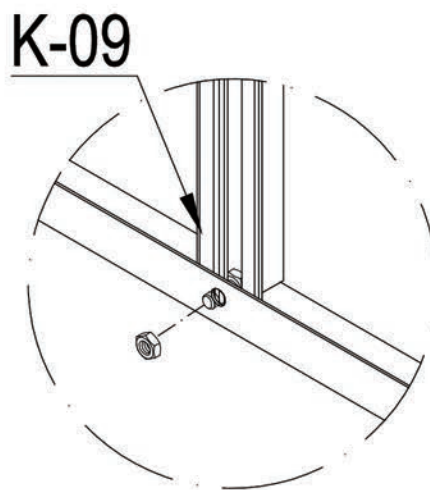
Image	Item #	Quantity
	K-A24	3
	K-A06	1
	K-A31	4

4.1 Insert side columns K-09, K-10, K-19, and K-20 into the bolts placed into K-03b and K-04. Taller columns are adjacent to your house, shorter columns are in the middle. Tighten the nuts.

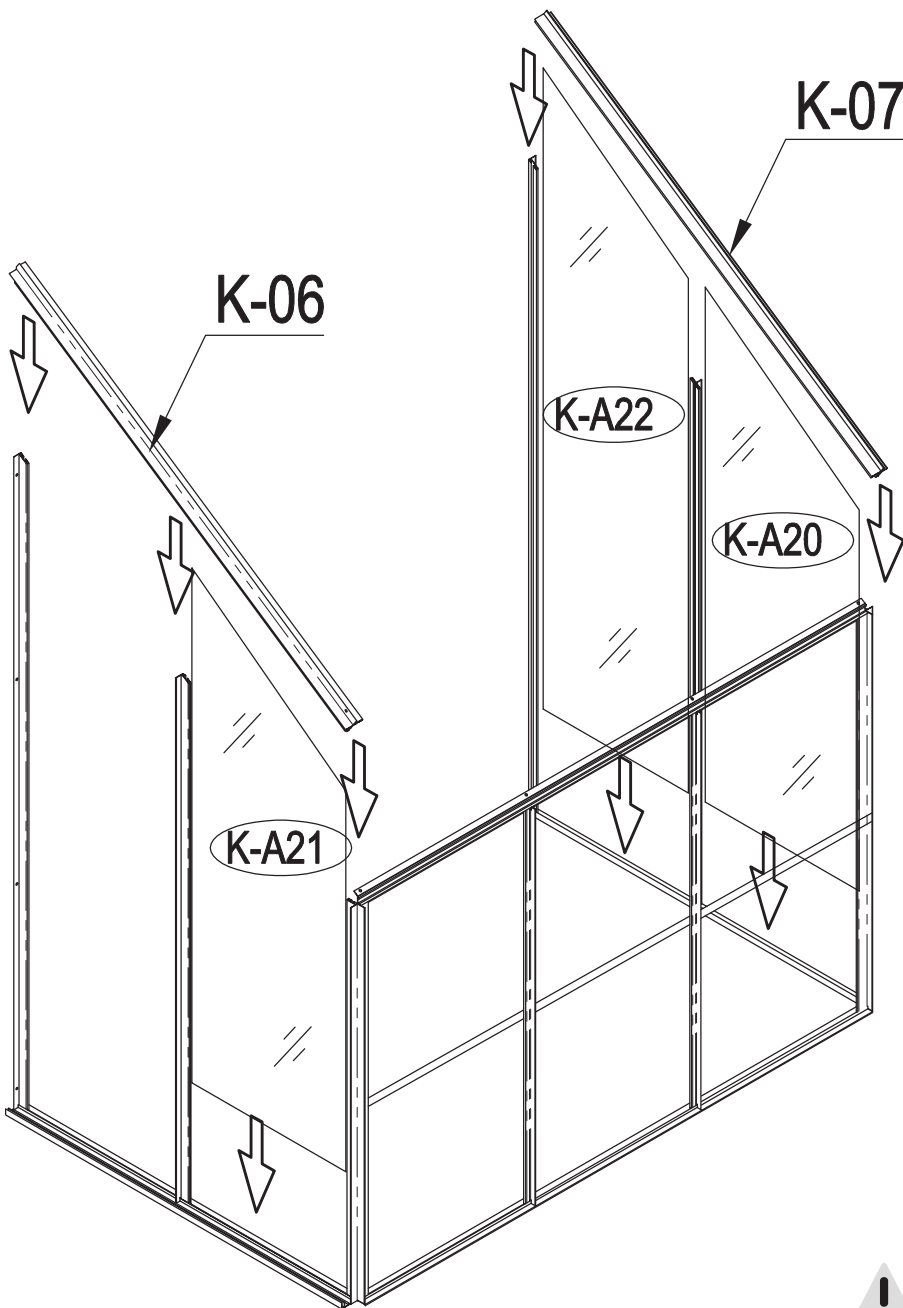


Parts used in this section.

Image	Item #	Quantity
	K-09	1
	K-10	1
	K-19	1
	K-20	1
	K-A31	19
	K-A31	4



4.2 Slide three bolts into K-19, K-20 (tallest frames adjacent to your house) and K-09. Slide two bolts into K-10 and each of the two K-05 (middle and shorter frames at the corners).



5.1 Slide the taller K-A22 panel in the section closest to the house, opposite of the door.

5.2 Slide K-A21 into the section adjacent to the door and K-A20 to the section across from K-A21.

5.3 Slide K-06 over the top of K-A21 and opening for the door.

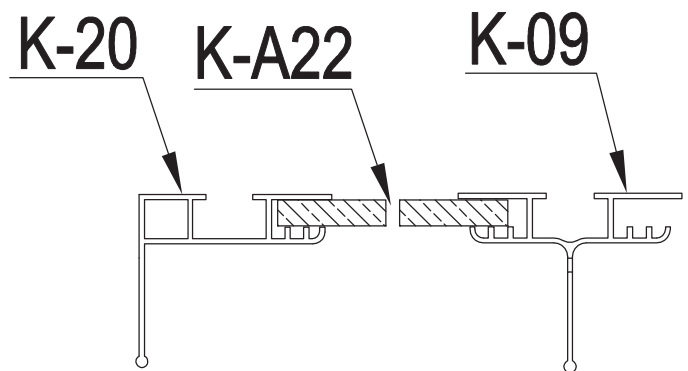
5.4 Slide K-07 over the top of panels K-A22 and K-A20.

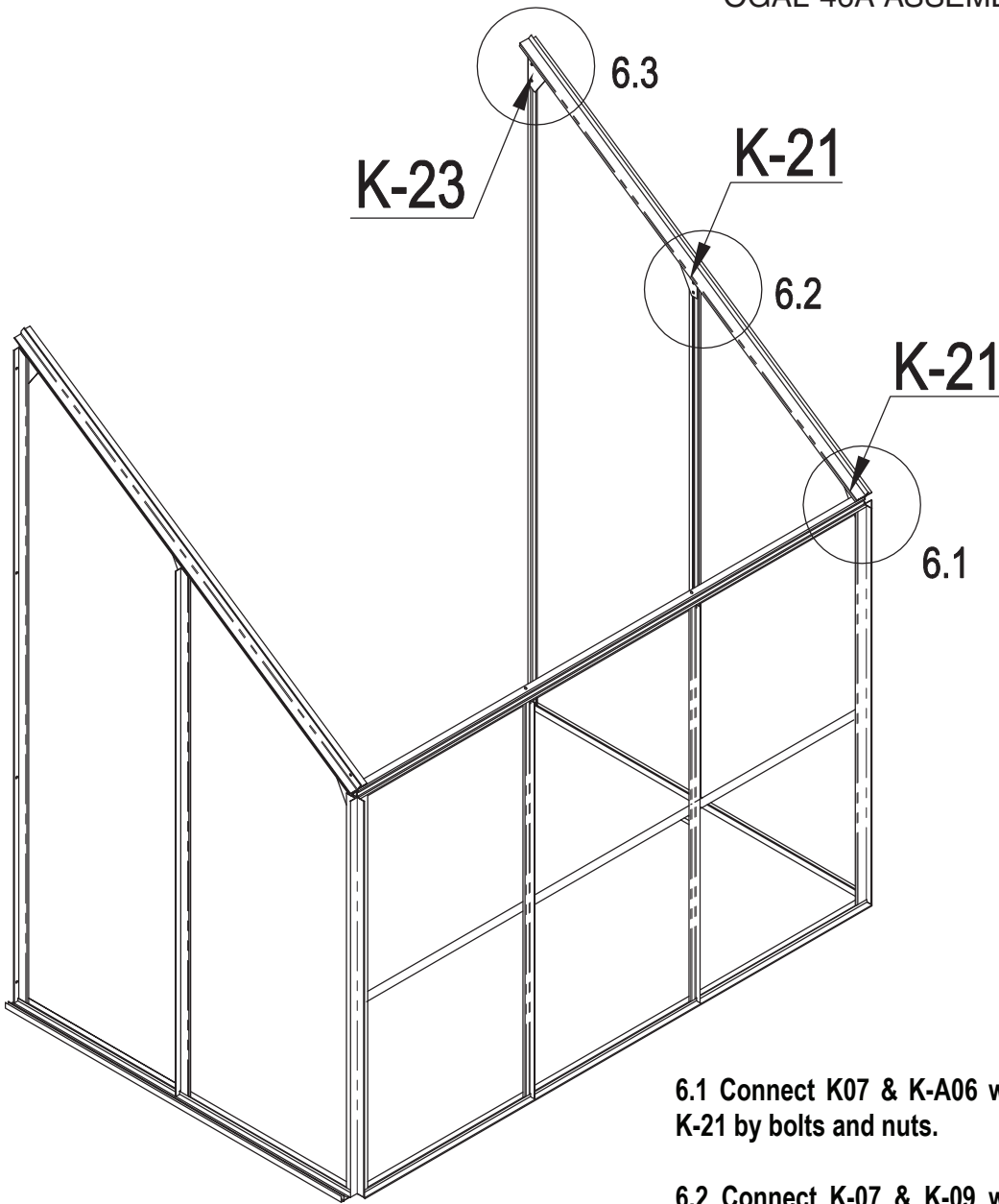
! Insert the polycarbonate panel into relevant place.

Fix K-06 & K-07 to the walls.

Parts used in this section.

Image	Item #	Quantity
	K-06	1
	K-07	1
	K-A21	1
	K-A20	1
	K-A22	1



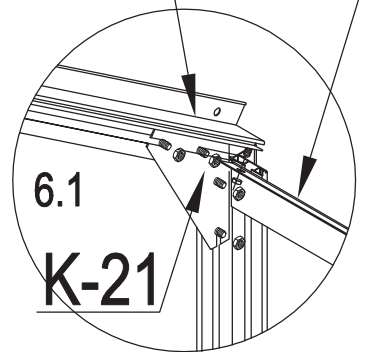


K-07 K-A06

6.1 Connect K07 & K-A06 with K-21 by bolts and nuts.

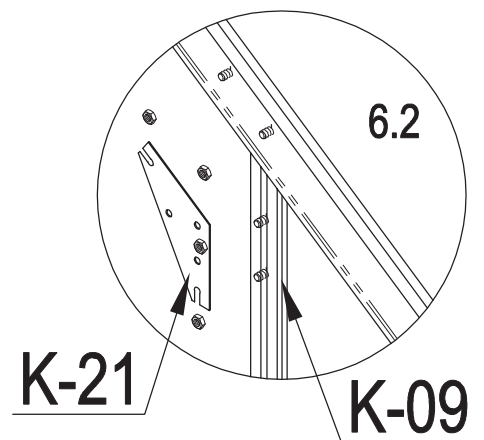
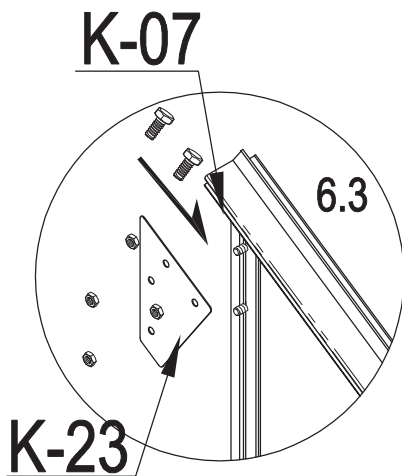
6.2 Connect K-07 & K-09 with K-21 by bolts and nuts.

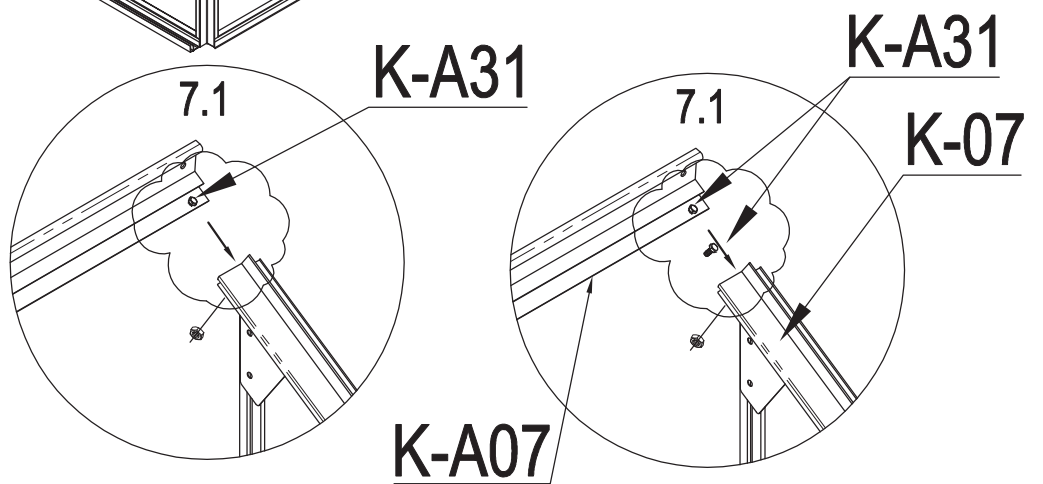
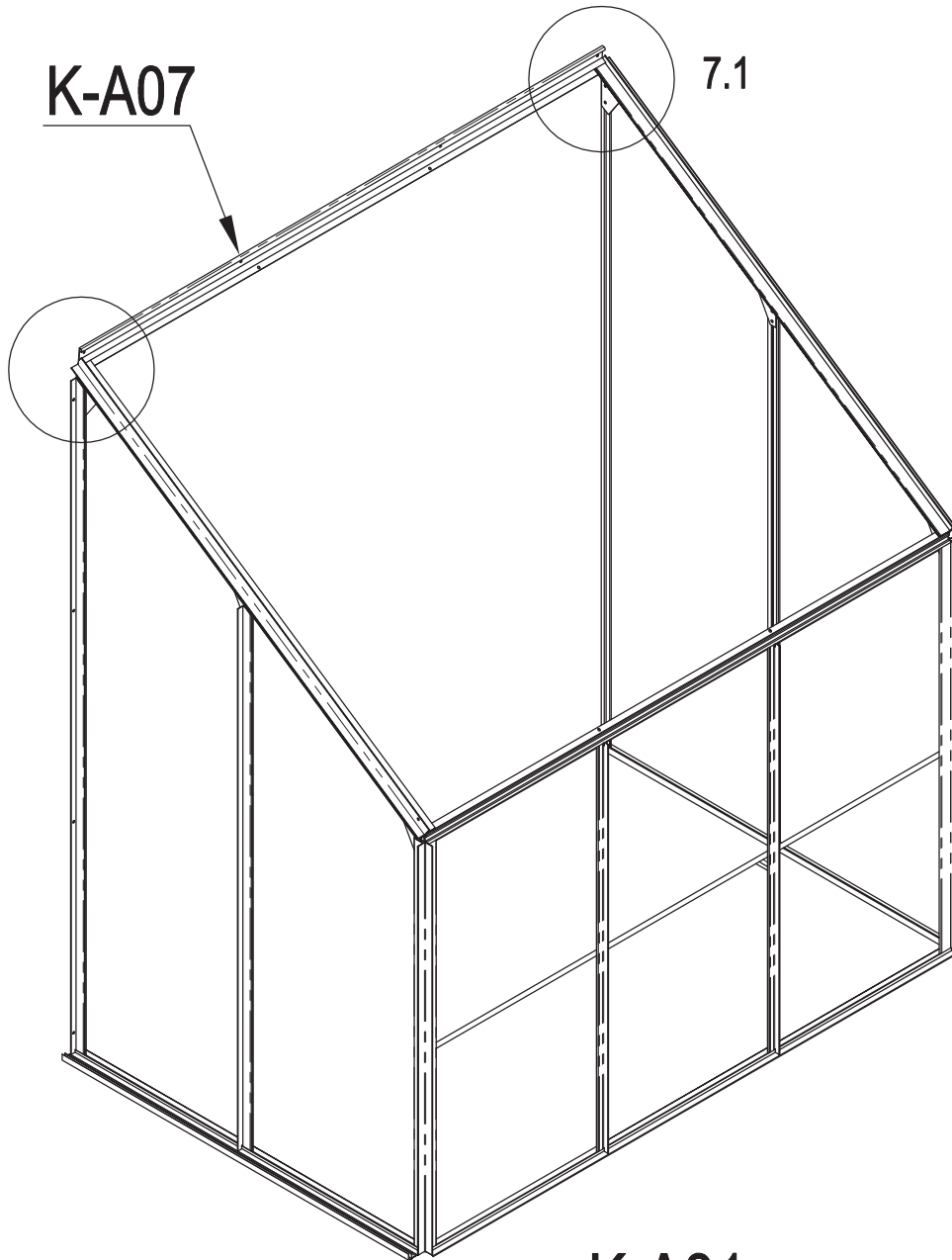
6.3 Connect K-07 & K-20 with K-23 by bolts and nuts.






Parts used in this section.

Image	Item #	Quantity
	K-21	4
	K-23	2
	K-A31	14
	K-A31	26





Parts used in this section.

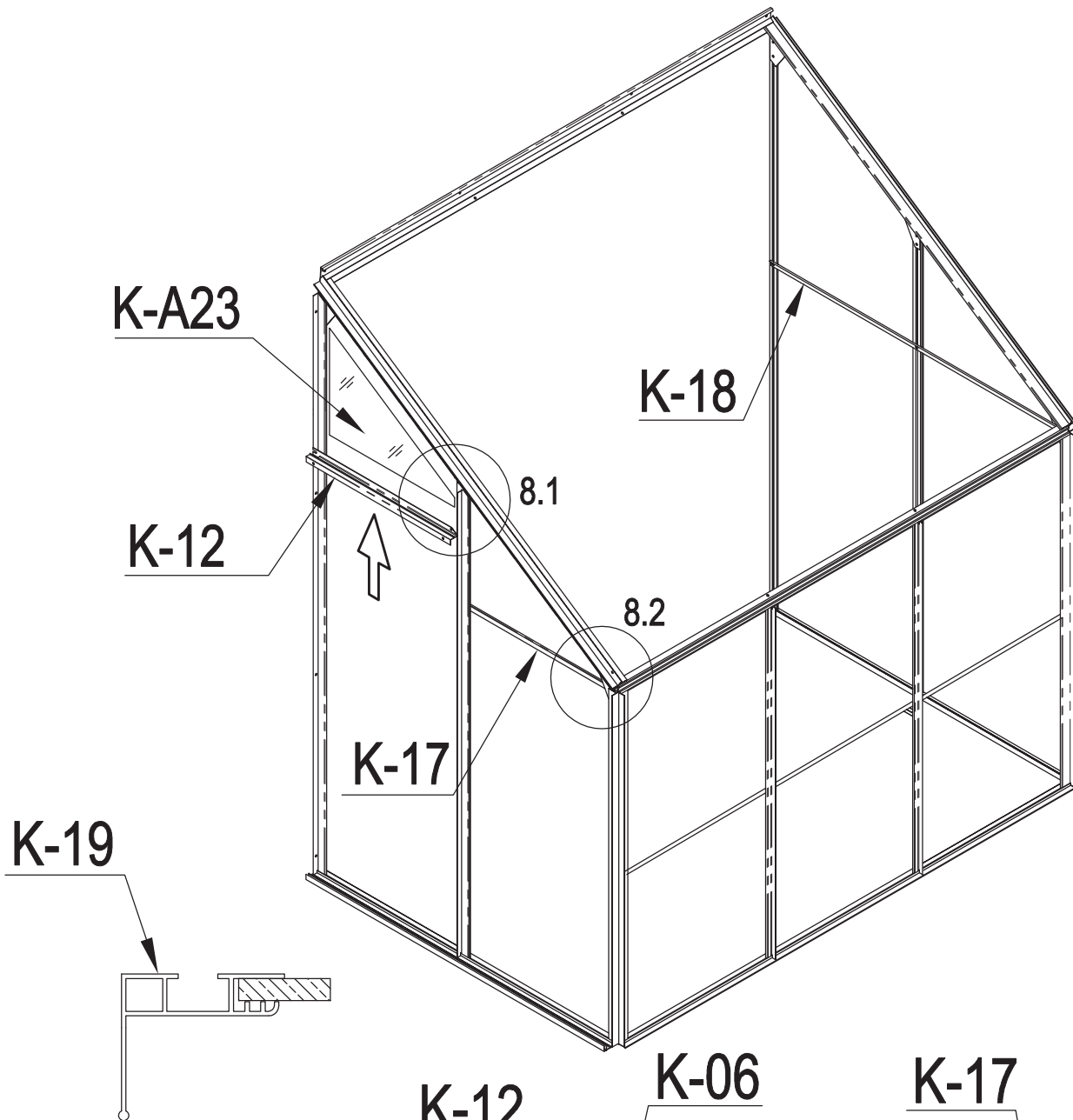
Image	Item #	Quantity
	K-A07	1
	K-A31	4
	K-A31	2




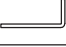



7.1 Connect K-A07 and K-07 by the bolts and nuts.

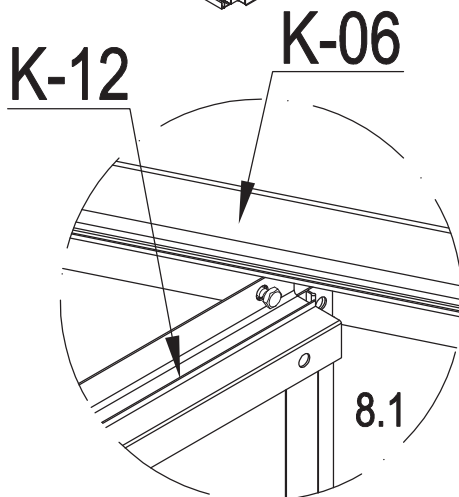


NOTE: the place for the bolts.

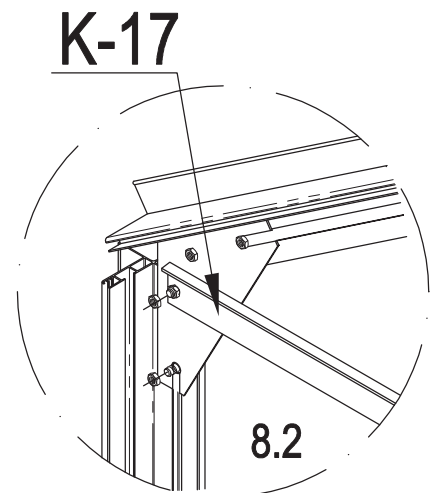


Parts used in this section.

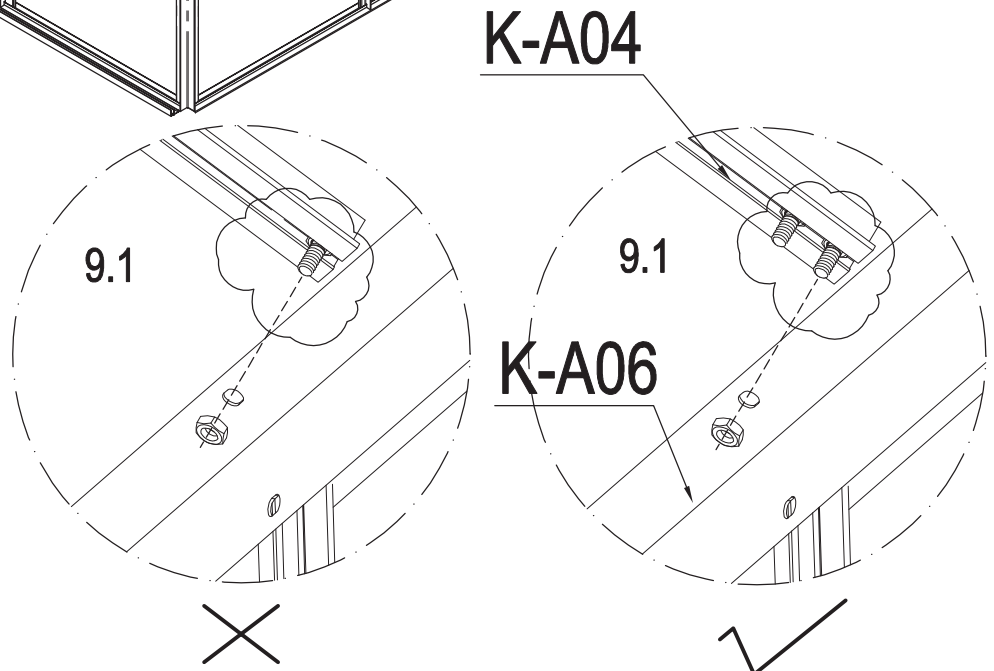
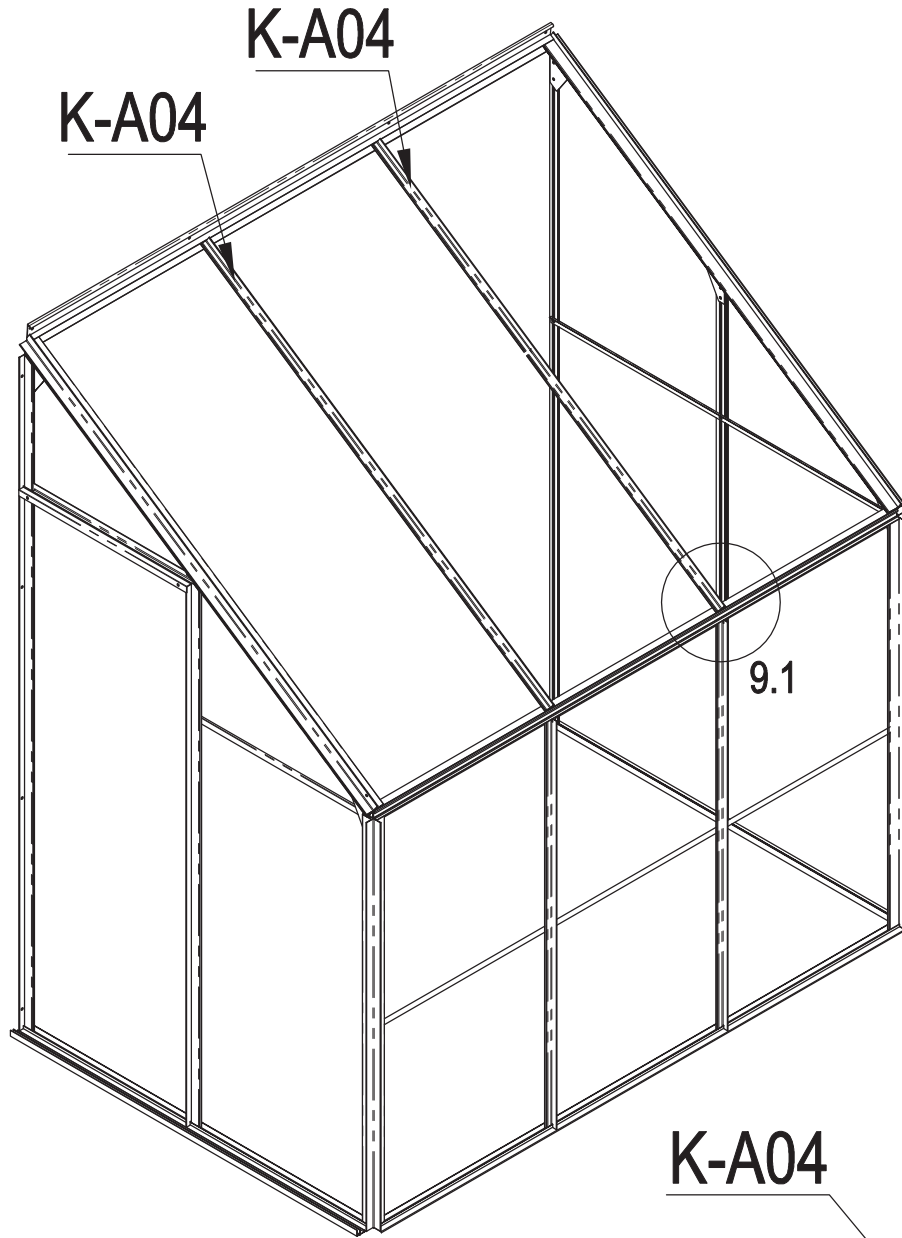
Image	Item #	Quantity
	K-12	1
	K-17	1
	K-18	1
	K-A31	1
	K-A31	7



8.1 Slide the K-A23 window up into the corner between K-19 and K-06. Then insert the K-12 frame under the window. Connect it to the longer side with nut and bolt.



8.2 Insert K-17 frame to K-5 corner frame using K-21 brace and nuts. Then connect the other end of K-17 to the middle frame K-10.

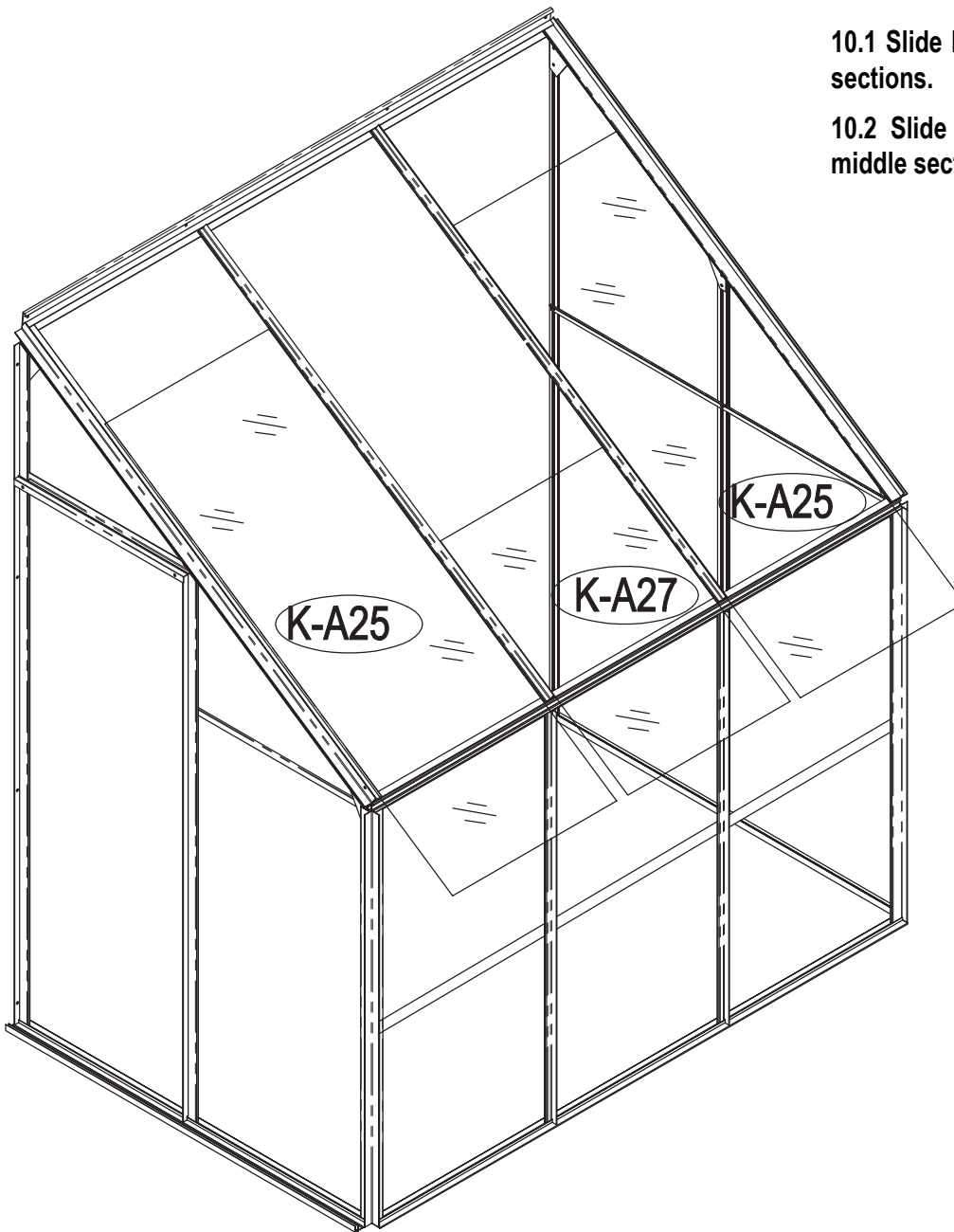


Parts used in this section.

Image	Item #	Quantity
	K-A04	2
	K-A31	6
	K-A31	4

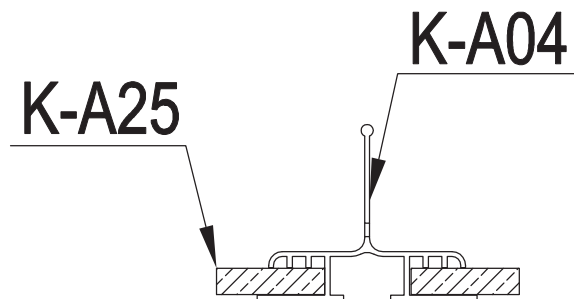
9.1 Insert the two K-A04 roof frames with bolts in K-A07 and tighten with nuts.

9.2 Slide two bolts into each K-A04, and align with holes in K-A06. Secure with nuts.



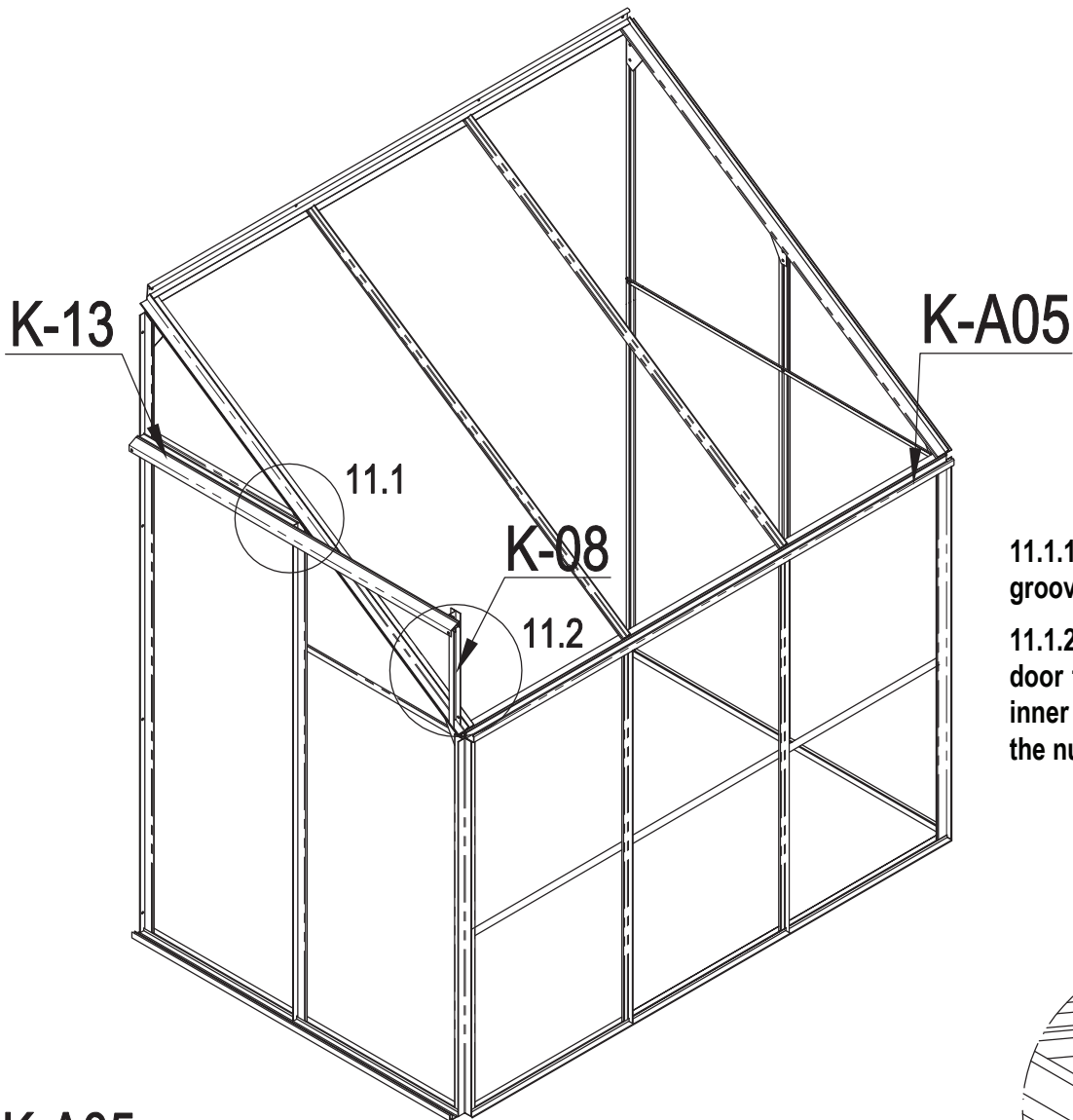
10.1 Slide longer K-A25 panels into outer sections.

10.2 Slide shorter K-A27 panel into the middle section.



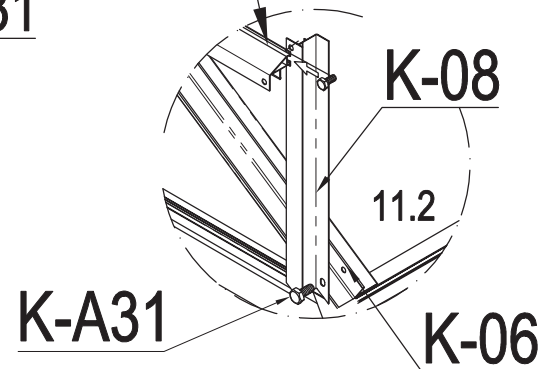
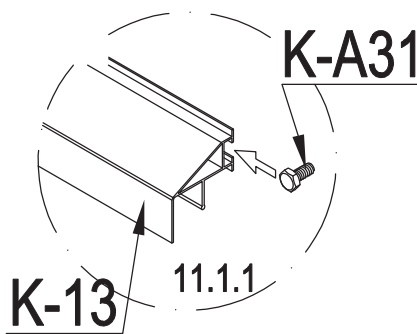
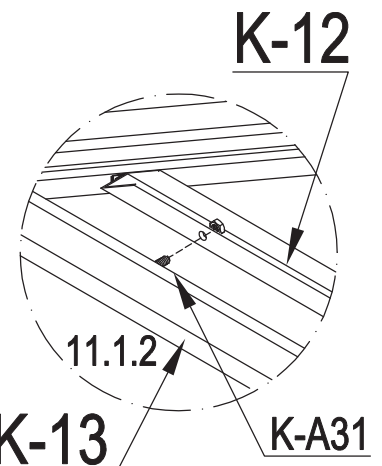
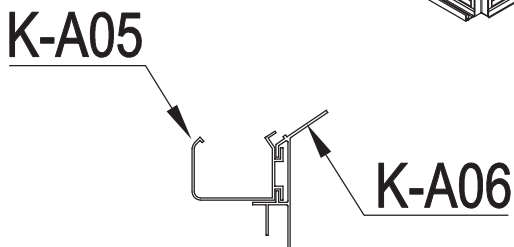
Parts used in this section.

Image	Item #	Quantity
	K-A25	2
	K-A27	1



11.1.1 Insert two bolts into the grooves of K-13.

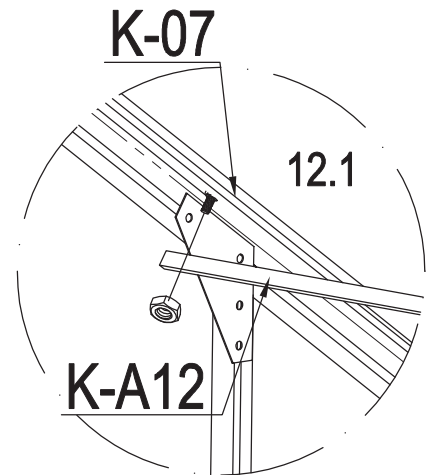
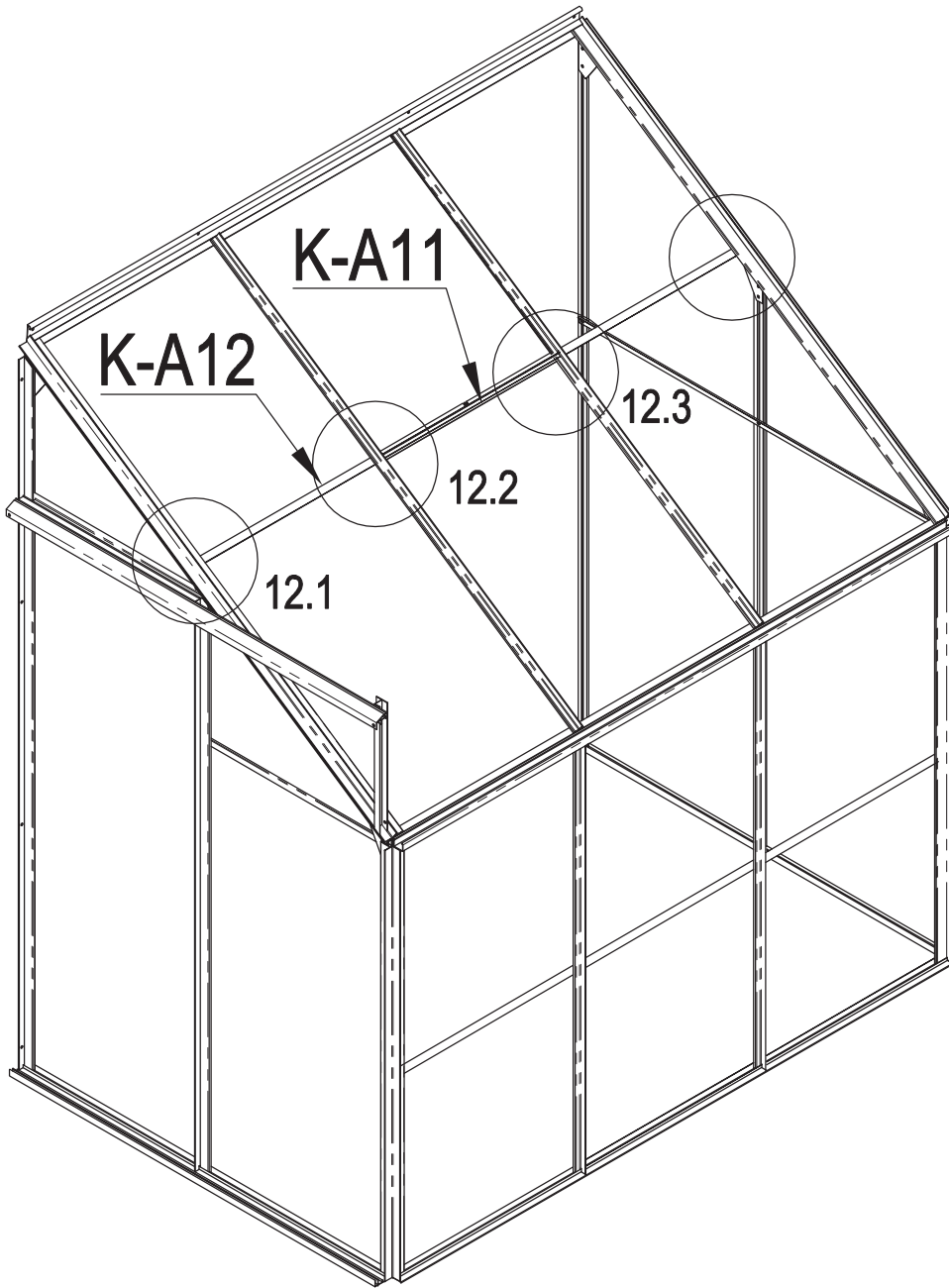
11.1.2 Align the bolts in the outer door frame K-13 with the holes in inner door frame K-12 and tighten the nuts.



Parts used in this section.




Image	Item #	Quantity
	K-A05	1
	K-13	1
	K-08	1
	K-A31	4

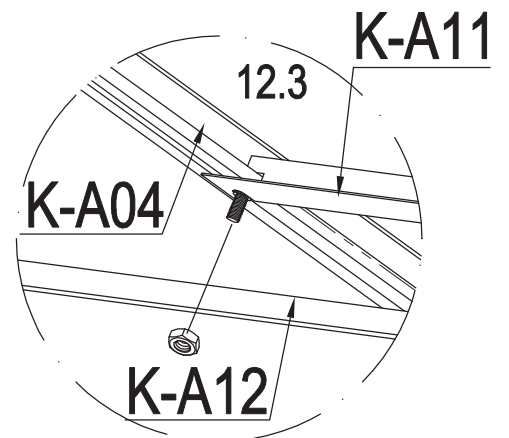
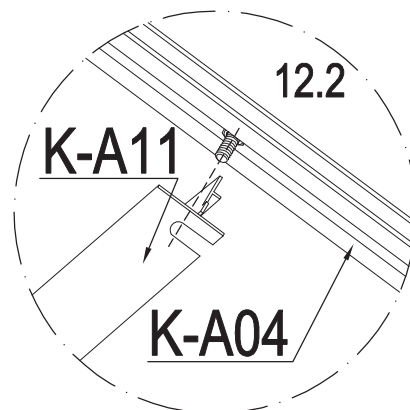
11.2 Place the top left edge of the sliding door K-08 between the top frame K-13 and middle frame K-06 and secure with nuts and bolts.



12.1 Connect K-A12 to the roof with K-07 by bolts and nuts.

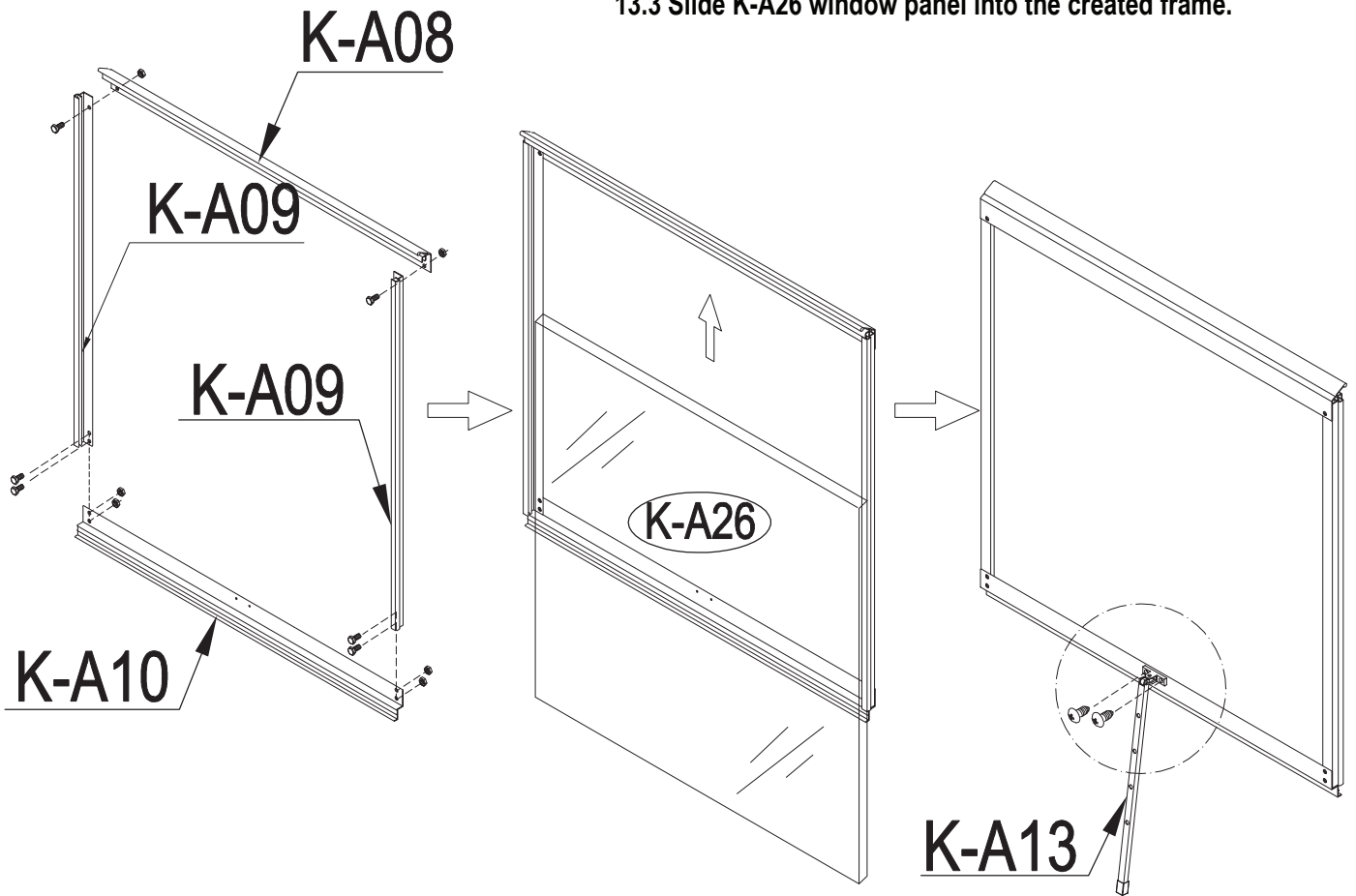
Parts used in this section.

Image	Item #	Quantity
	K-A11	1
	K-A12	1
	K-A31	4



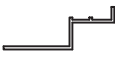
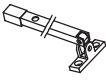

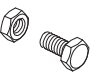


12.2 & 12.3 Connect K-A11 and K-A04 with the bolts left in K-A04 and tighten the nuts.

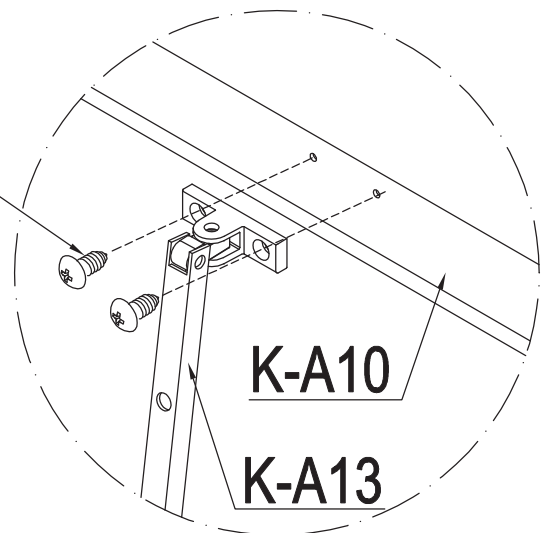
- 13.1 Attach the two K-A09 sides to K-A08 top and K-A10 bottom.
- 13.2 Secure with two K-A31 nuts and bolts in each bottom corner and one same nuts and bolts in each top corner.
- 13.3 Slide K-A26 window panel into the created frame.



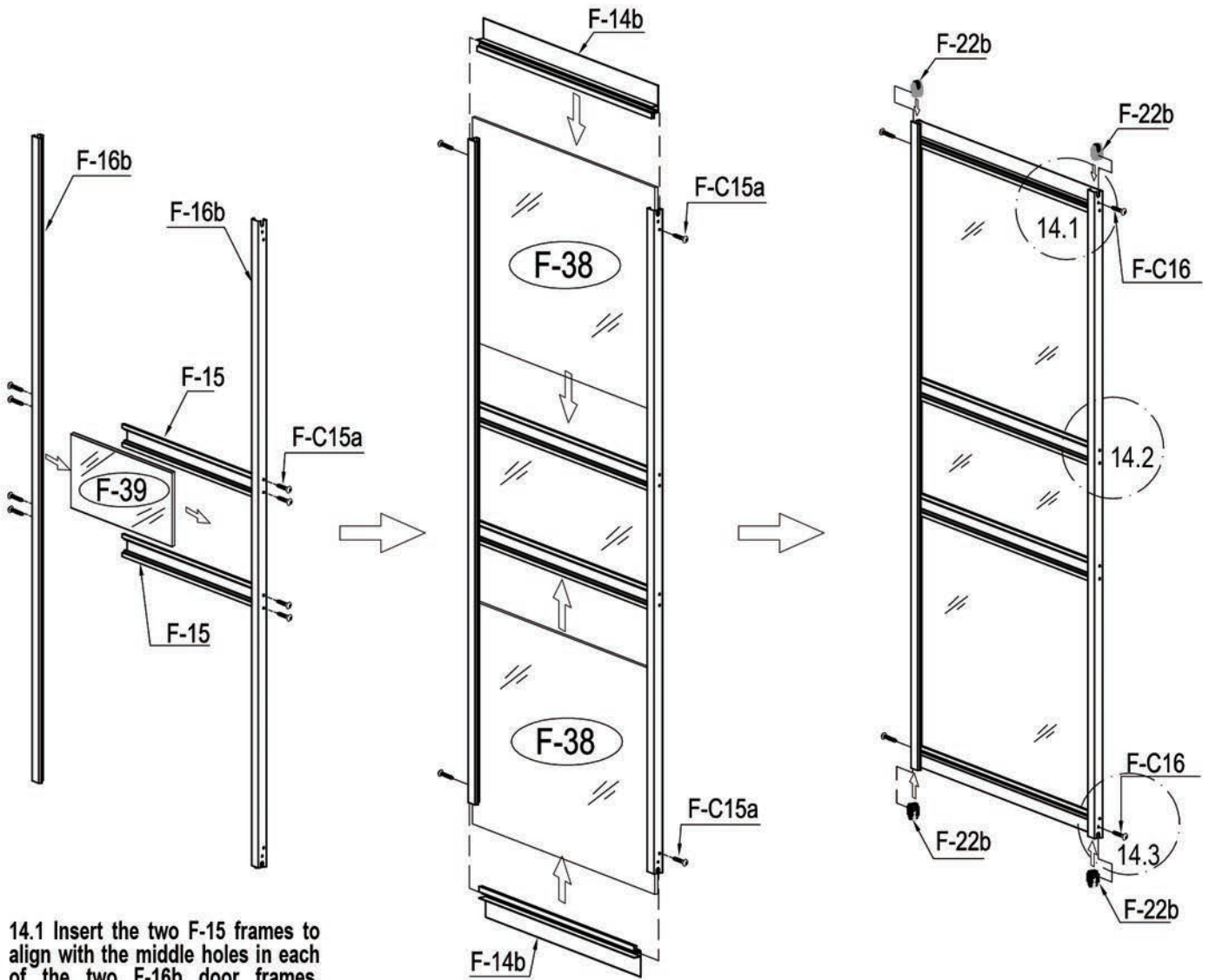
Parts used in this section.

Image	Item #	Quantity
	K-A08	1
	K-A09	2
	K-A10	1
	K-A13	1
	K-A32	2
	K-A31	6

K-A32



- 13.4 Attach K-A13 handle to the K-A10 bottom frame using the two K-A32 screws.



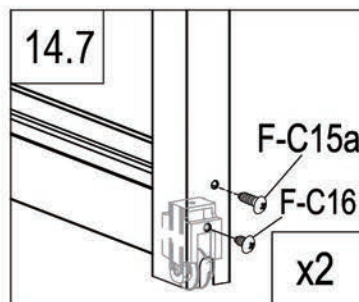
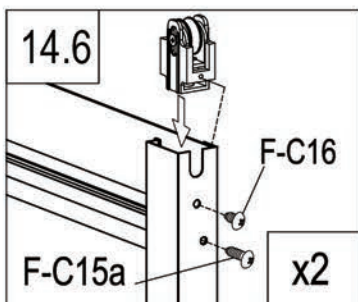
14.1 Insert the two F-15 frames to align with the middle holes in each of the two F-16b door frames. Secure with F-C15a screws to one side only for now.

14.2 Slide F-39 panel in the middle slot.

14.3 Slide F-38 panels in the top and bottom slots.

14.4 Secure the remaining F-16b using four F-C15a screws into the two F-15s.

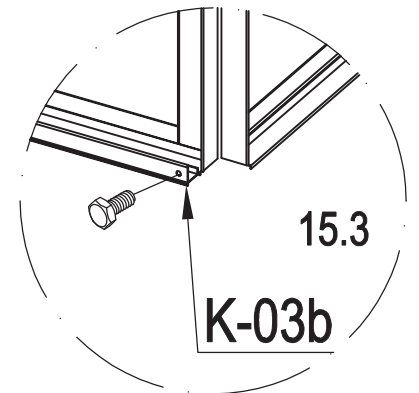
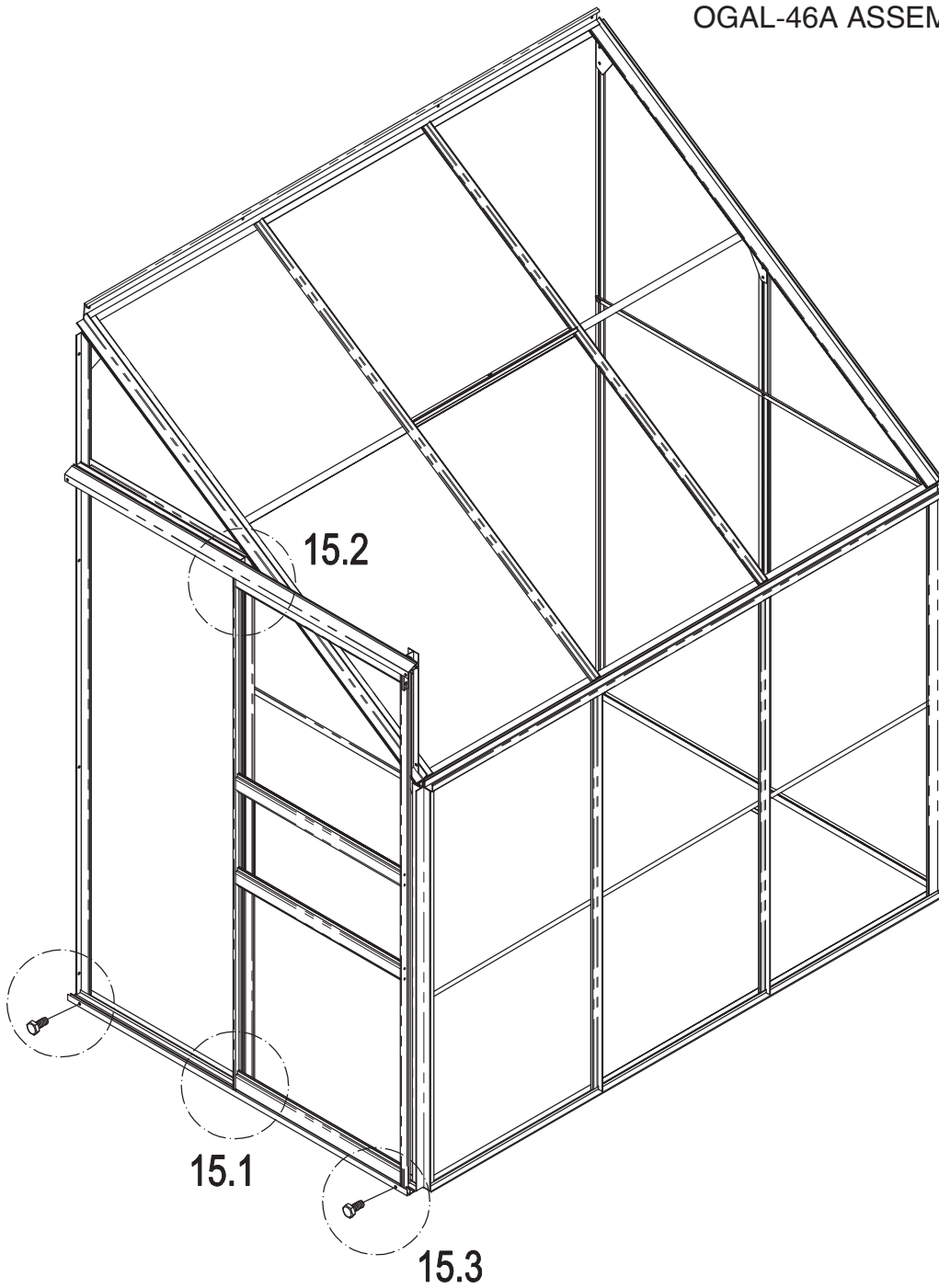
14.5 Cap off the top and bottom of the door with two F-14b frames.



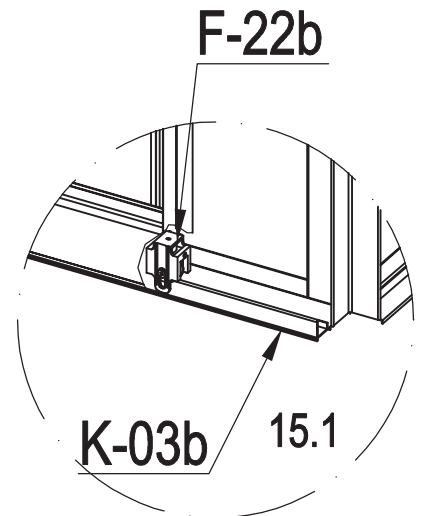
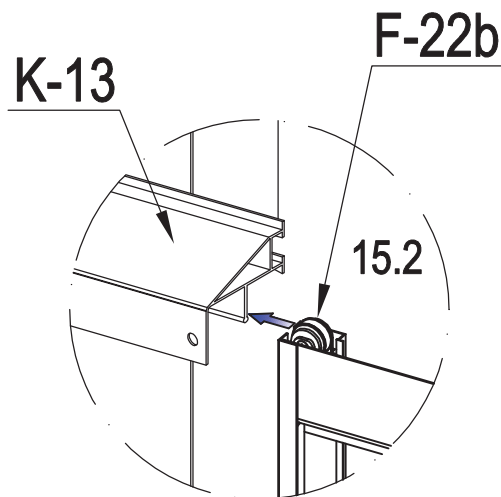
14.6 and 14.7 Insert the four F-22b pulley wheels into the tops and bottoms of the two F-16b frames. Secure closest holes to each of the pulley wheels with F-C16 screws, and furthest with F-C15a screws.

Parts used in this section.

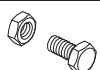
Image	Item #	Quantity
	F-38	2
	F-39	1
	F-16b	2
	F-14b	2
	F-15	2
	F-22b	4
	F-C15a	12
	F-C16	4



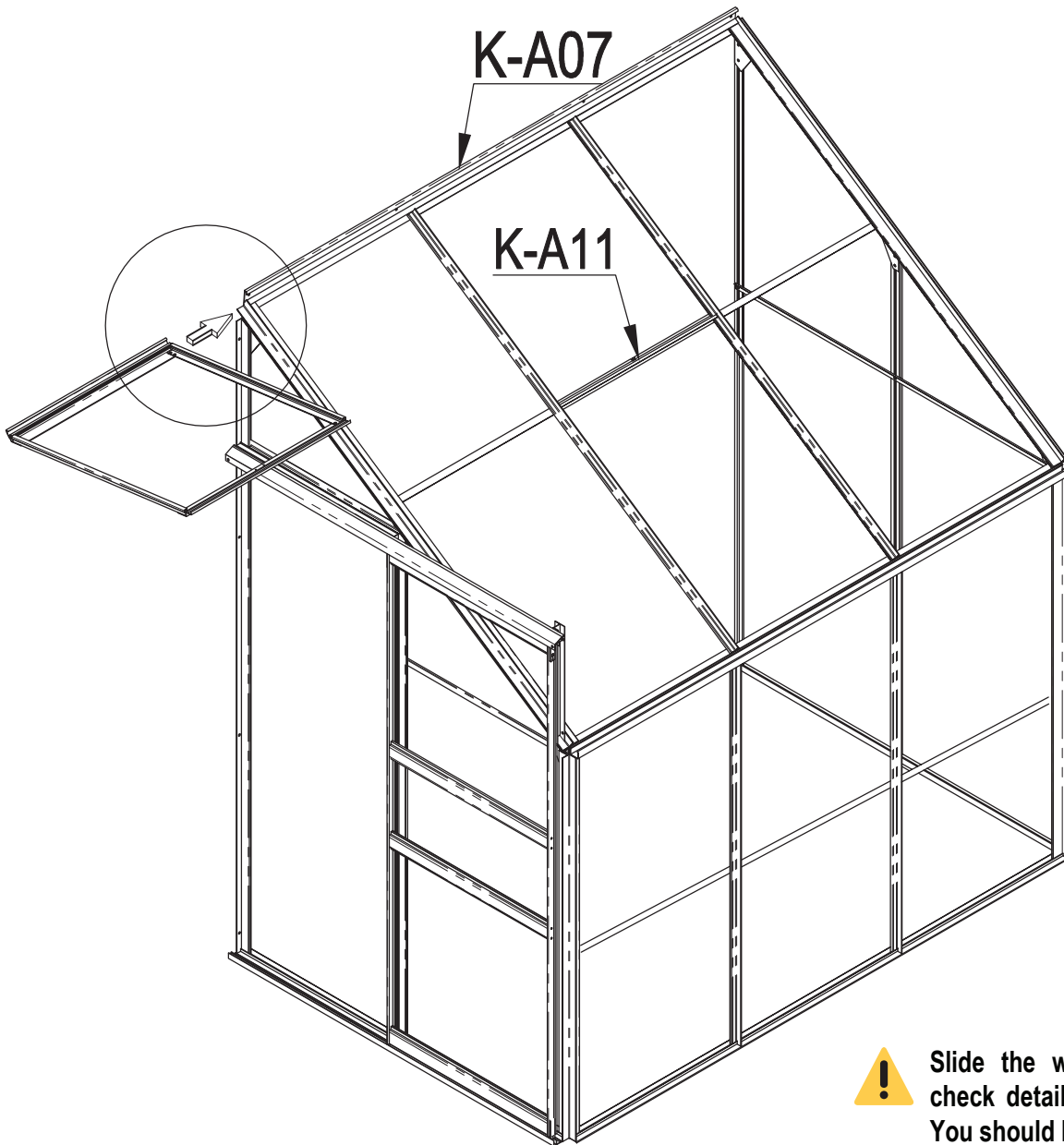
15.3 Secure door frame with nuts and bolts at bottom corners.




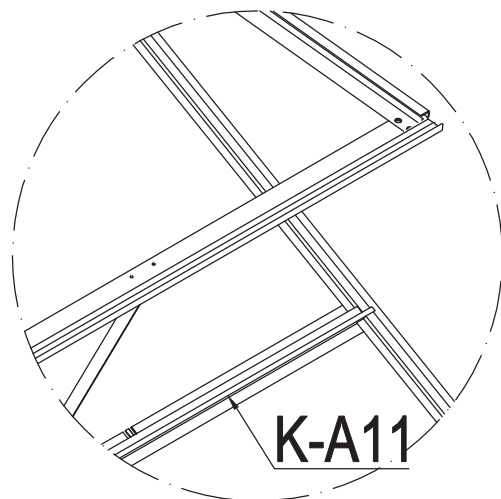
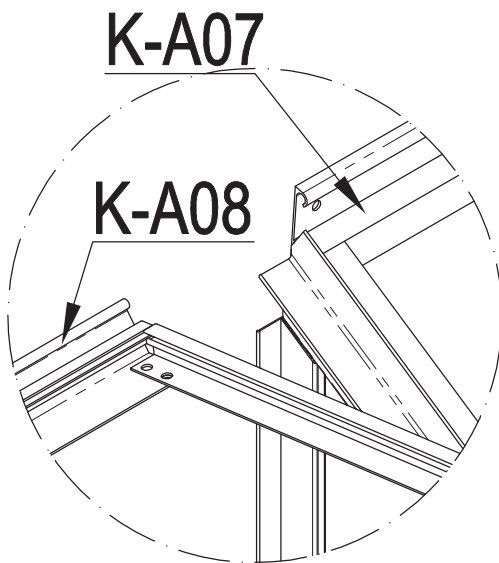
Parts used in this section.

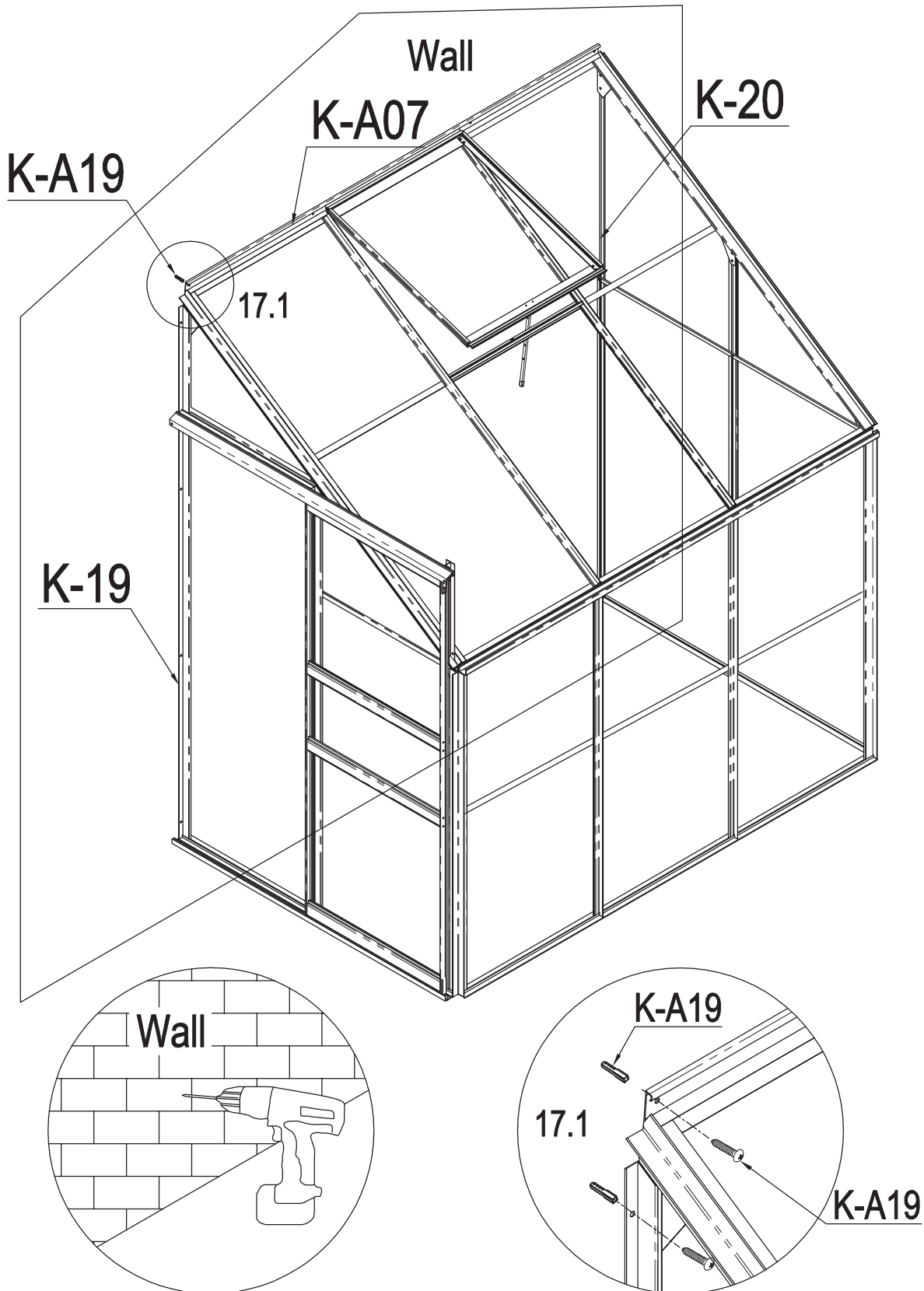
Image	Item #	Quantity
	K-A31	2

15.1 & 15.2 Slide the assembled door, ensuring the pulley wheels align to the the middle notch of K-13 on top and K-03b on the bottom.




 Slide the window into K-A07, check details as shown above. You should be able to pivot it up and down





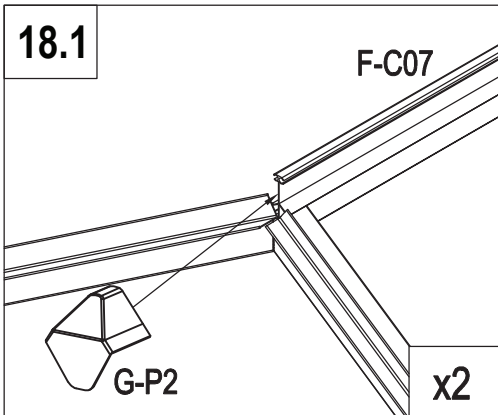
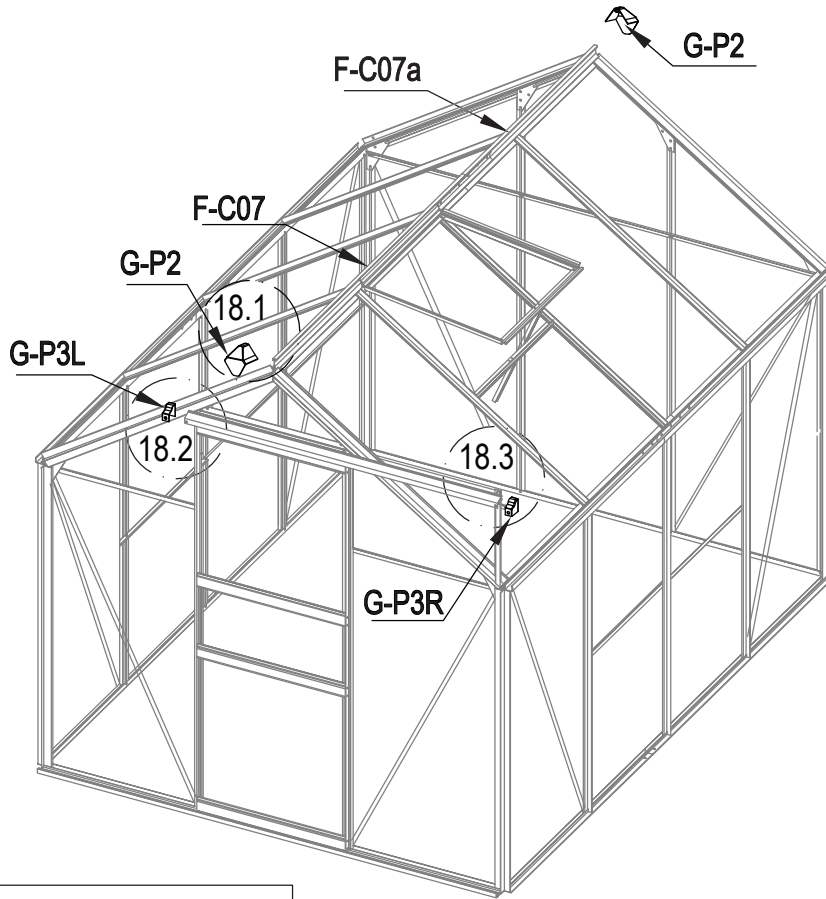
Parts used in this section.

Image	Item #	Quantity
	K-A19	10

17.1 Drill holes into the wall of your house adjacent to the ten holes in the outer frames of the greenhouse (K-19 and K-20 at the sides and K-A07 at the top). Insert wall mounts.

17.2 Insert K-A19 wall mounts.

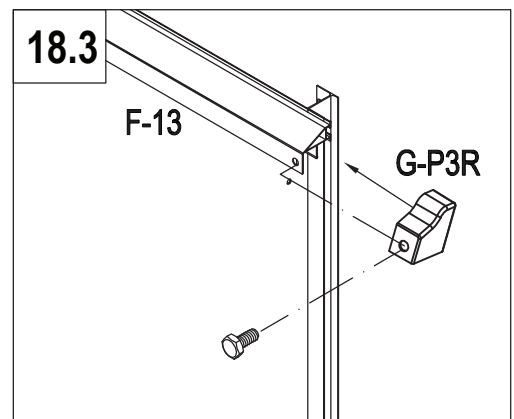
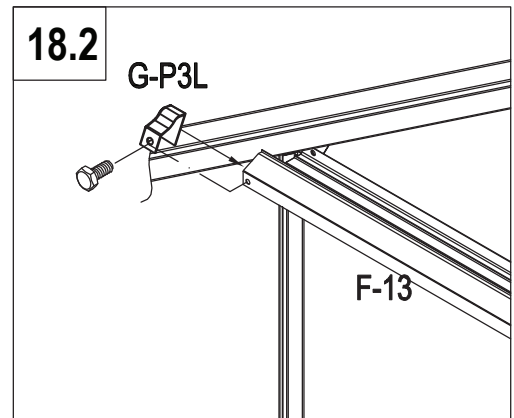
17.3 Screw the ten K-A19 screws into the wall mounts.



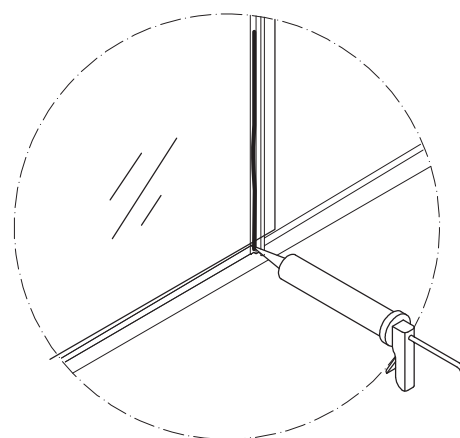
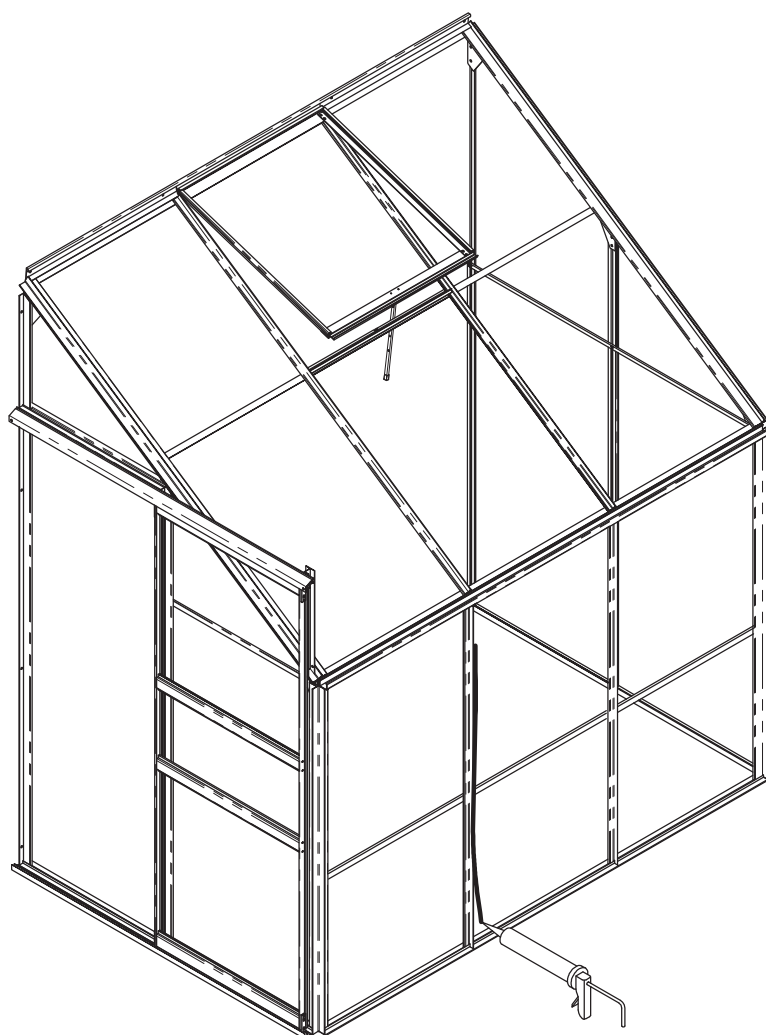
18.1 Slide the two G-P2 connectors into where F-C07 and F-C07a each joins F-06 and F07.

Parts used in this section.

Image	Item #	Quantity
	G-P2	2
	G-P3L	1
	G-P3R	1
	F-C14	2



18.2 and 18.3 Cap off F-13 with G-P3L at the left end and G-P3R at the right end.



! Advice

It is not necessary but we would advise:

For additional strength, you can also use some glue or tapes between the polycarbonate panel and the aluminium frame to enhance the stability.

Note:

Silicone sealant and glue gun are not included in our tool kit. You can buy them locally. Only use silicone sealant suitable for aluminium