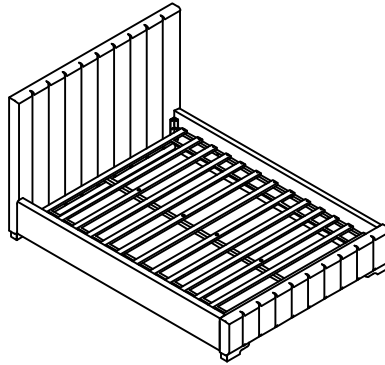





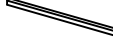




# ASSEMBLY INSTRUCTION

QUEEN BED







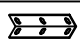

FULL BED



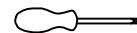
## Part list

No.	Parts	Description	QTY
A		Headboard	1
B		Footboard	1
C		Side Rail	2
D		Wood strip for Side rail	2
E		Slats	13
F		Center support rails	1
G		Wood Block on Headboard & Footboard	2
H		Center leg	4

## Hardware

No.	Parts	Description	QTY
1		Bolt 5/16**25mm	24
2		Flat Washer 5/16"	24
3		Lock washer 5/16"	42
4		Bolt 1/4**60mm	18
5		Flat Washer 1/4"	18
6		Screw #8*30mm	28
7		Large L metal connector	4
8		Allen Wrench	1

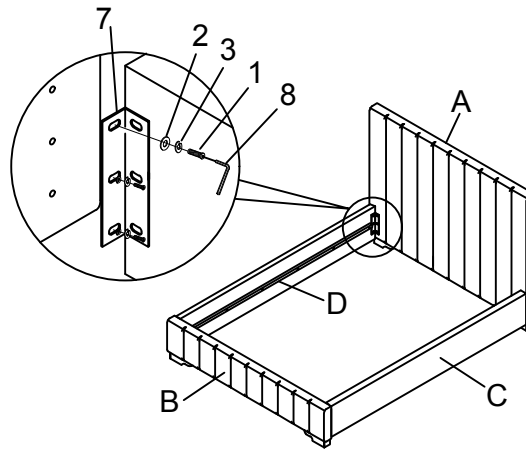
ASSEMBLY TOOLS REQUIRED (NOT INCLUDED)



PLEASE BE CAREFUL DO NOT DAMAGE THE HOLE POSITION WHEN YOU USE POWER TOOLS!

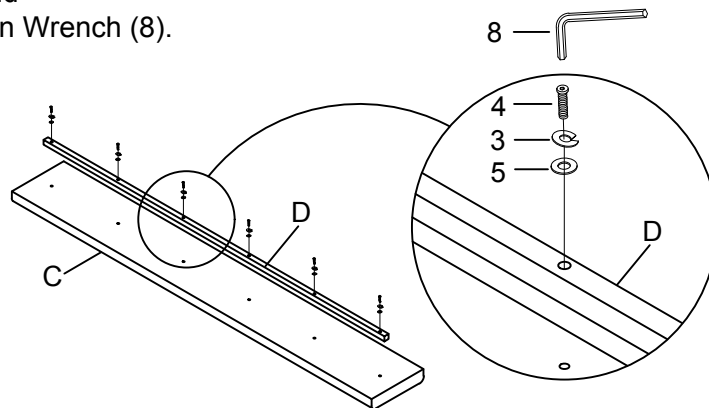
### STEP 1:

Attach Large L metal connector (7) to Side rail (C), Headboard (A) and Footboard (B) with Bolt (1), Lock washer (3) and Flat washer (2). Tighten with Allen Wrench (8).



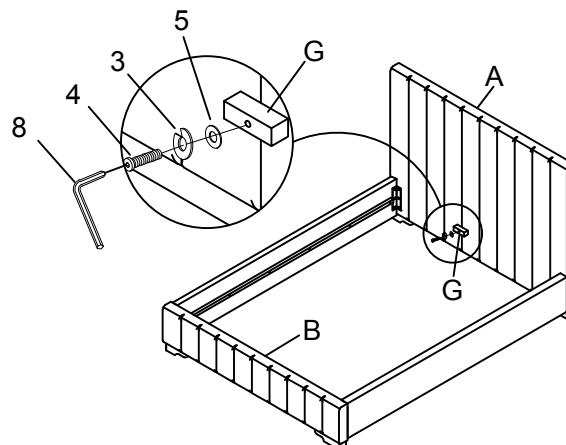
### STEP 2:

Attach Wood strip for Side rail (D) to Side rail (C) with Bolt (4), Lock washer (3) and Flat washer (5). Tighten with Allen Wrench (8).



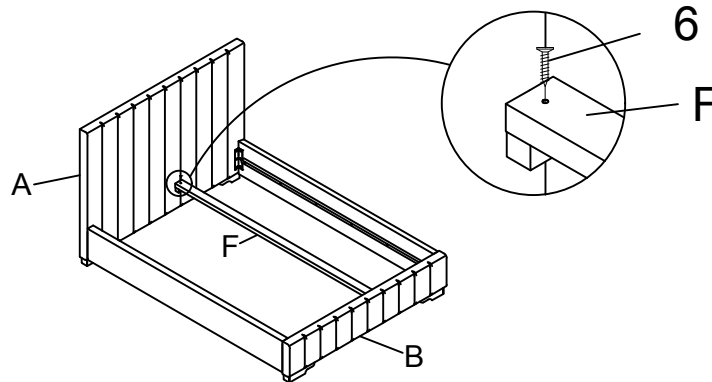
### STEP 3:

Attach Wood Block on Headboard & Footboard (G) to Headboard (A) and Footboard (B) with Bolt (4), Lock washer (3) and Flat washer (5). Tighten with Allen Wrench (8).



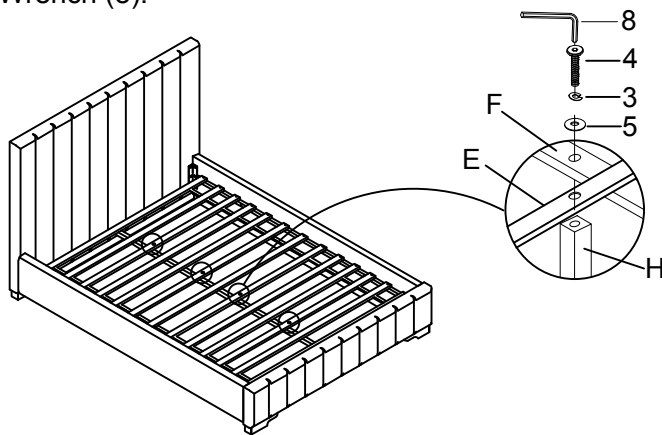
**STEP 4:**

Attach Center support rails (F) to Headboard (A) and Footboard (B) with Screw (6).



**STEP 5:**

Attach Center leg (H) to Center support rails (F) and Slats (E) with Bolt (4), Lock washer (3) and Flat washer (5). Tighten with Allen Wrench (8).



**STEP 6:**

Attach Slats (E) to Side rail (C) with Allen Screw (6).

