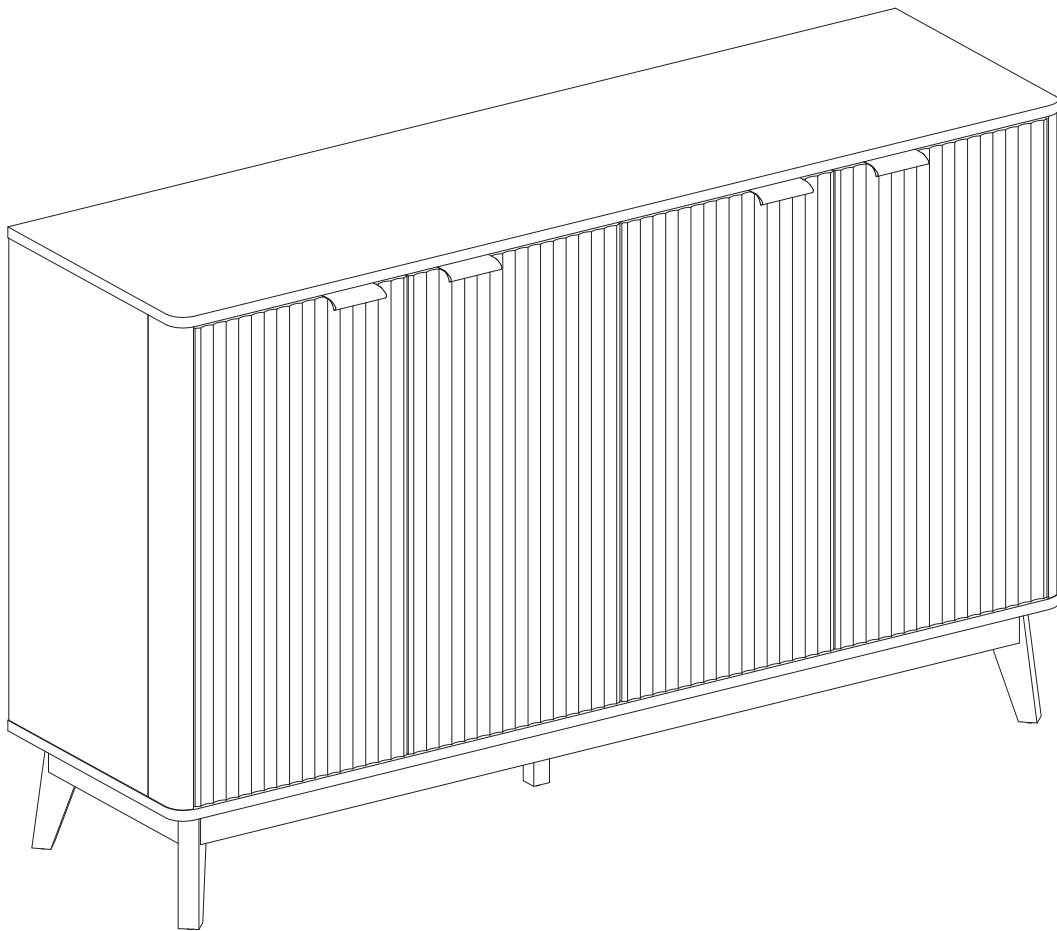


BUFFET & SIDEBOARD

ITEM NO.: SB4R5534

FLUTED DESIGN



Installation Instruction

Please read this instruction carefully before the installation and keep it for the future use and the warranty.

BRAND SUPPORT

Thank you for choosing us !

FavourLife is a brand that specializes in producing storage cabinets.

Your suggestions are important to us. We would greatly appreciate it if you could share your ideas with us so that we can improve our products and better satisfy our customers.

 **Manufacturer warranty for 2 years from date of purchase.**

General Guidelines

1. Please carefully read the following instructions and use the product accordingly.
2. Keep this manual and pass it on when transferring the product.
3. This summary may not include every detail of all variations and considered steps. If you need further information or assistance, please feel free to contact us at our official email address:



support@favour-life.com

Warnings

1. Children are not allowed to assemble the product. During assembly, please ensure that small parts are kept out of the reach of children, as they may pose a choking hazard if swallowed or inhaled.
2. Children should not climb or stand on the product to avoid the risk of personal injury from tipping over.
3. Keep plastic packing bags out of reach of children to prevent suffocation or other potential dangers.
4. Avoid using sharp objects or corrosive chemicals on the product, as they can cause damage to both the product and the user.
5. Please refrain from using the product if any parts are defective or missing, as this may result in damage or injury.



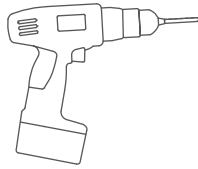
Notes

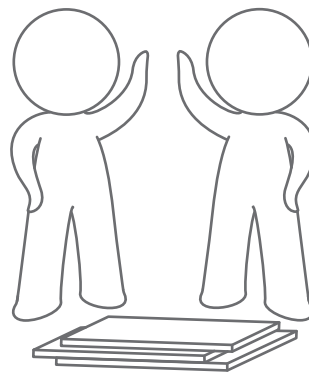
1. This product is intended for indoor use only. Any use of the product outside of its intended purpose or any modifications made to the product from its original design may result in personal injury or damage to the product. Please assemble and use the product following the instructions provided in the manual. The seller cannot be held responsible for any damage caused by incorrect assembly or improper use.
2. Avoid placing the product in damp environments for extended periods of time to prevent the growth of mildew.
3. When assembling the product, start by loosely aligning all screws with their corresponding pre-drilled holes before tightening them one by one.
4. It is recommended to periodically inspect the tightness of screws while the product is in use. If necessary, re-tighten them to ensure the structural integrity of the product.

ATTENTION



Offering

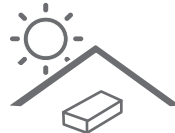
T x1 	Not Offering	
	 Phillips Screwdriver	 Electric Drill



support@favour-life.com



KEEP DRY



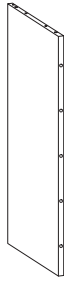



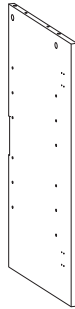
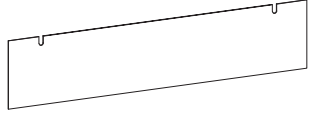

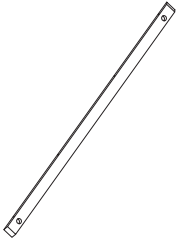
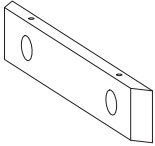
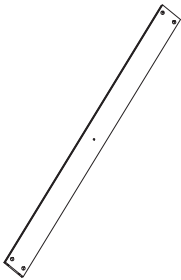



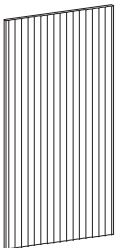
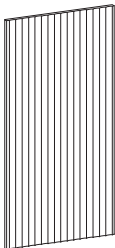
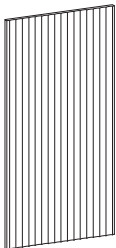
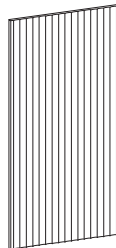


NO SUN EXPOSURE

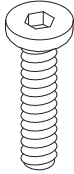

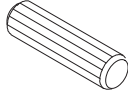



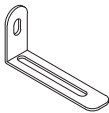

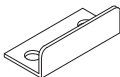
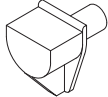
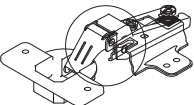
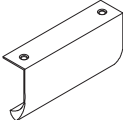
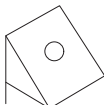

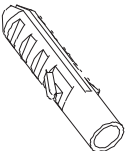
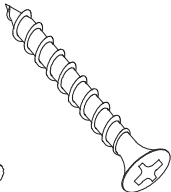
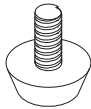
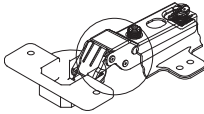


SOFT DRY CLOTH

PARTS LIST:

<p>① x1</p> 	<p>② x1</p> 	<p>③ x1</p> 	<p>④ x1</p> 		
<p>⑤ x1</p> 	<p>⑥ x1</p> 	<p>⑦ x1</p> 	<p>⑧ x1</p> 		
<p>⑨ x1</p> 	<p>⑩ x2</p> 	<p>⑪ x2</p> 	<p>⑫ x1</p> 	<p>⑬ x4</p> 	<p>⑭ x1</p> 
<p>⑮ x4</p> 	<p>⑯ x1</p> 	<p>⑰ x1</p> 	<p>⑱ x1</p> 	<p>⑲ x1</p> 	

HARDWARE LIST:

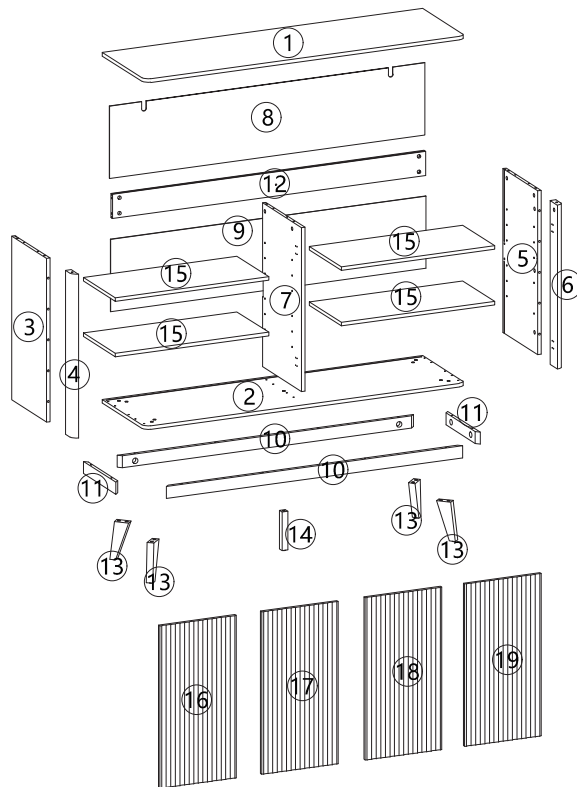
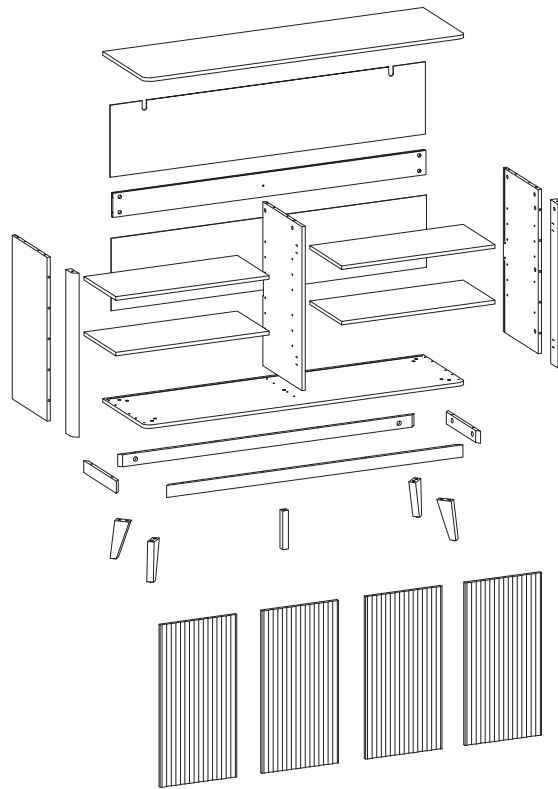
<p>A x9+1</p>  <p>M6*30mm</p>	<p>B x26+2</p>  <p>φ6*28mm</p>	<p>C x20+2</p>  <p>φ8*30mm</p>	<p>D x26+2</p> 
<p>E x9+1</p>  <p>φ7*40mm</p>	<p>F</p> <p>F1*50+3 F2*2</p>   <p>φ3.5*14mm</p>	<p>G</p> <p>G1*12+1 G2*2</p>   <p>φ3*12mm</p>	<p>H x16+2</p> 
<p>I x4</p>  <p>Recessed</p>	<p>J x4</p> 	<p>K x12+1</p> 	<p>L x12+1</p>  <p>φ3*14mm</p>
<p>M x2</p> <p>M1×2 M2×2</p>   <p>3/8" (φ6*40mm) φ4*40mm</p>	<p>N x1</p> 	<p>O x4</p>  <p>Half Overlay</p>	

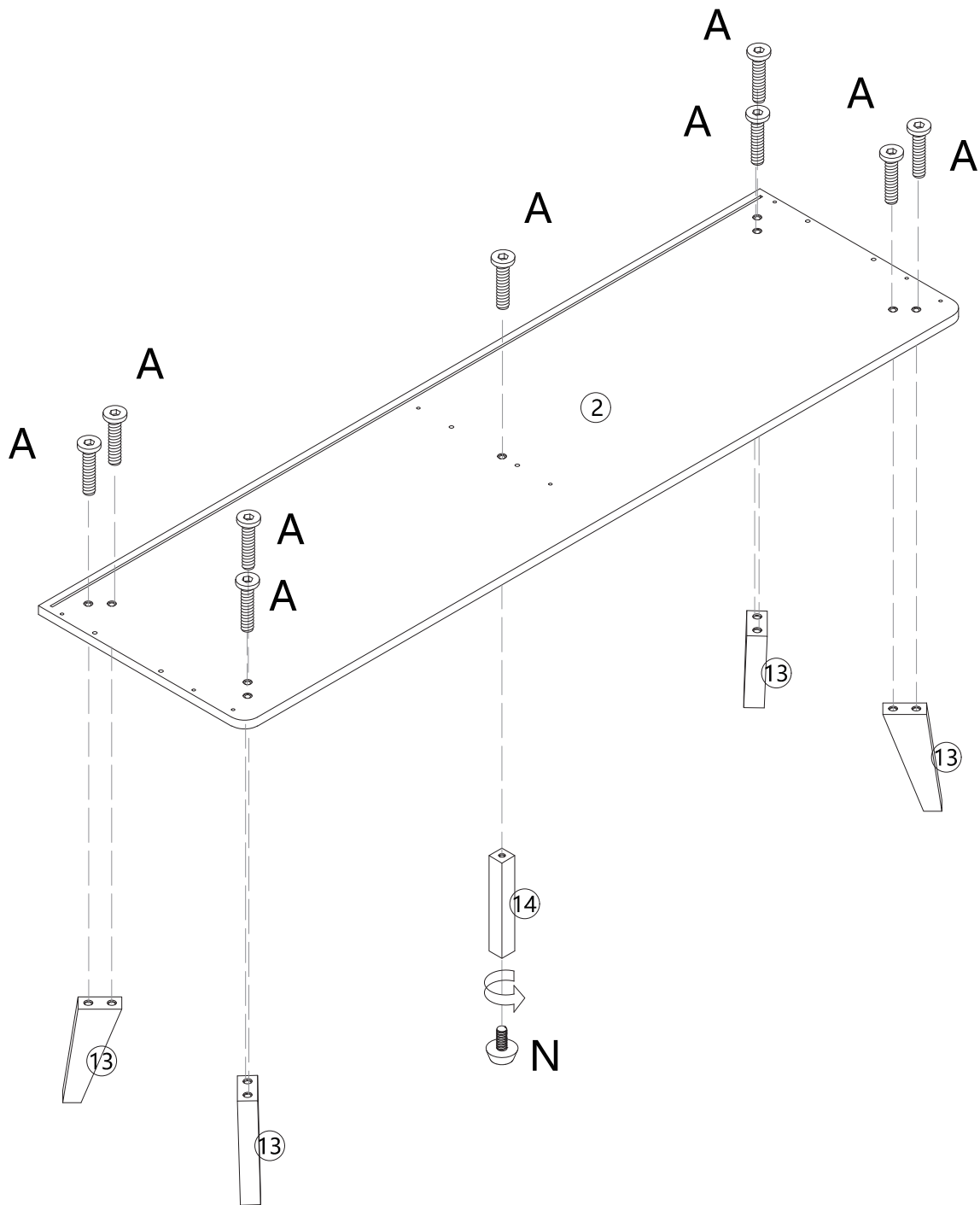




Note:

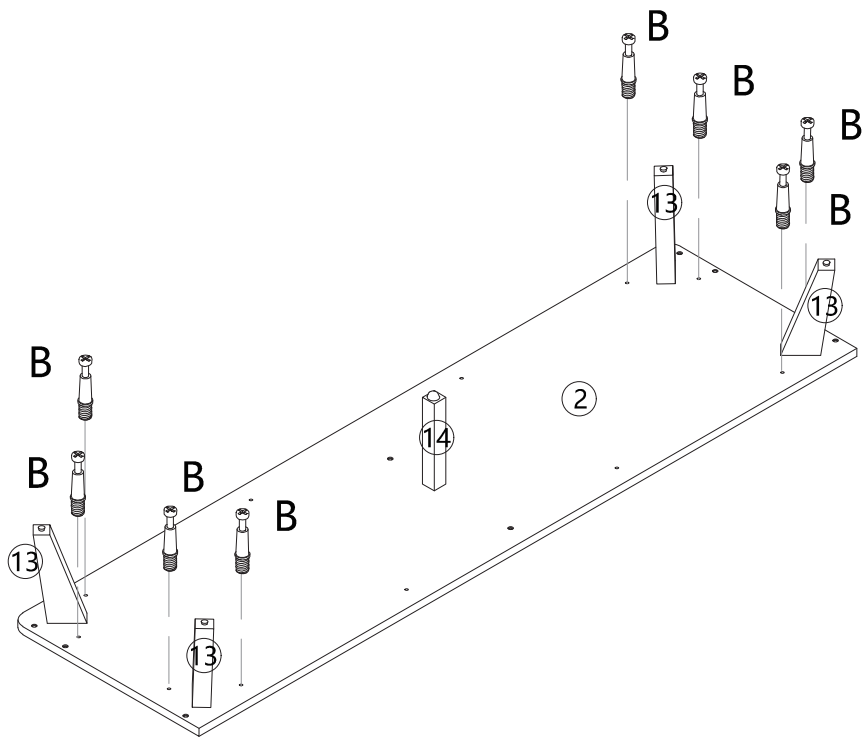
We provide additional 1&2 screws to prevent any damage or loss of screws that may occur.

Product overall accessories display map






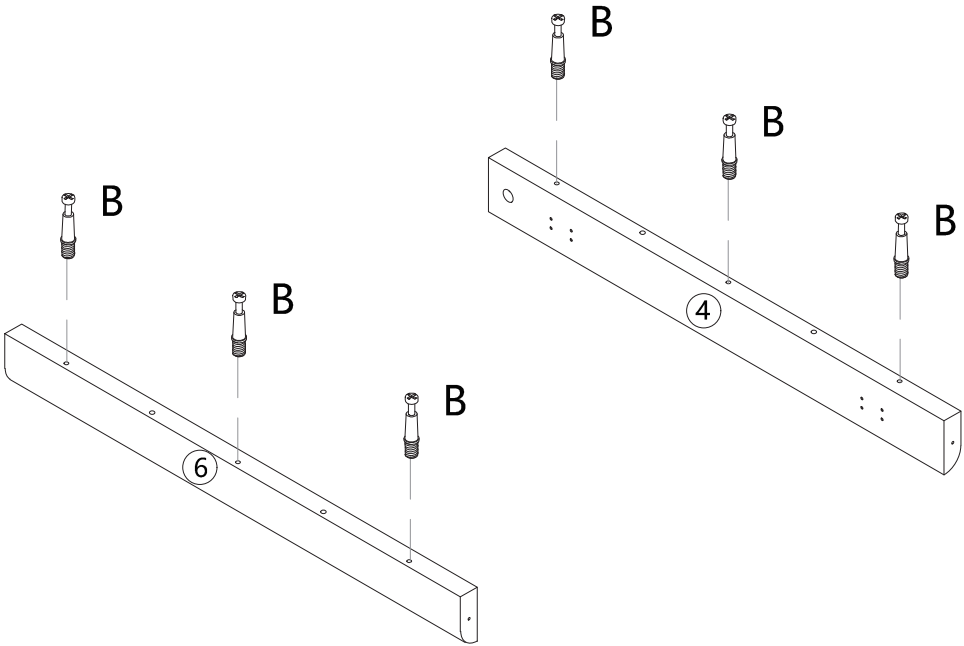
A		9PCS
N		1PCS




Considering the installation of the 7 panel, we recommend finishing the 7 panel before installing the leg 10 trim panel structure to the frame;

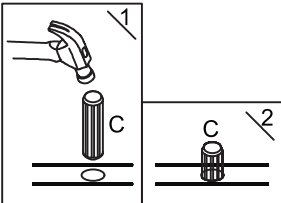
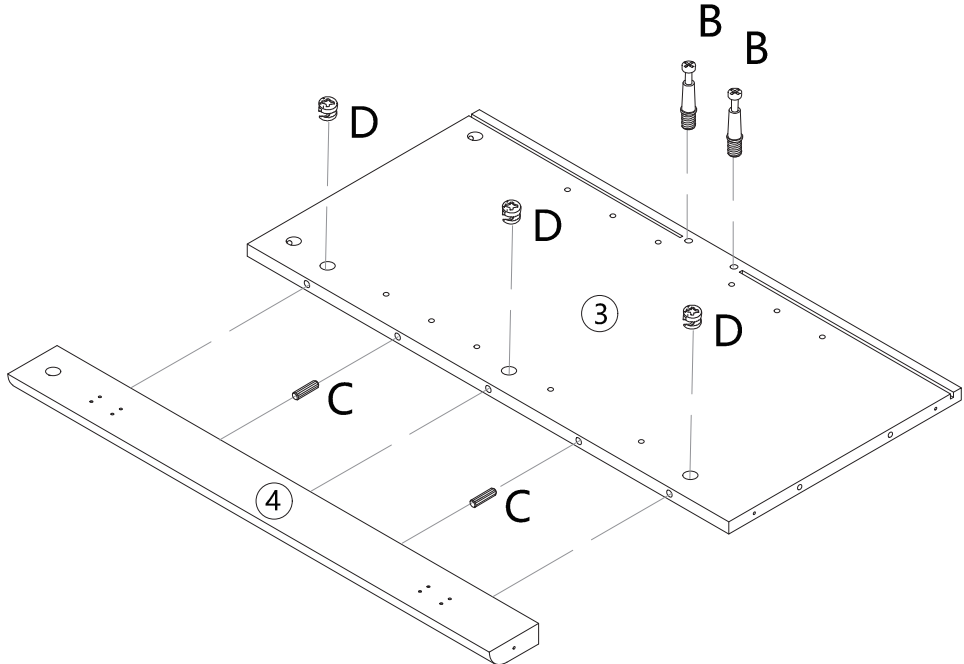
B  8PCS


3



B  6PCS

4

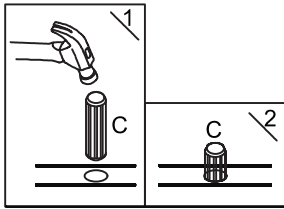
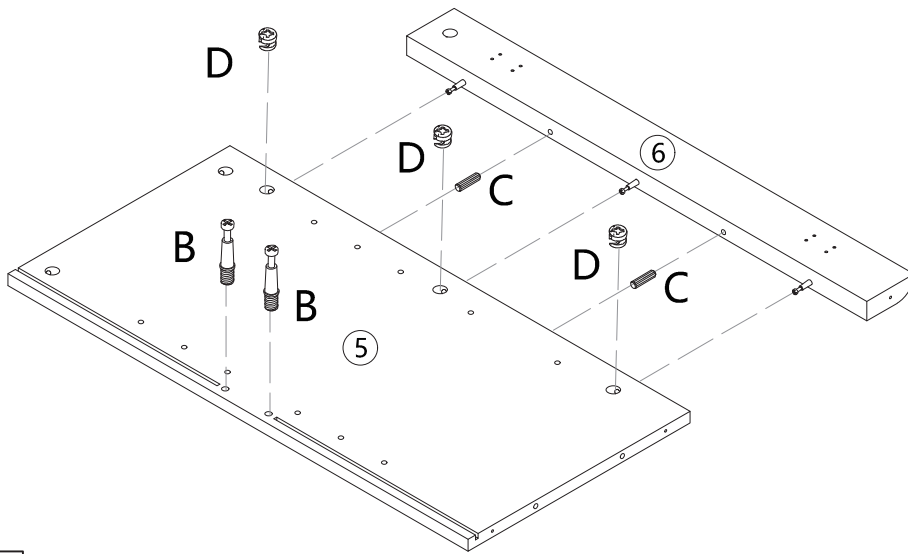





B  2PCS

C  2PCS

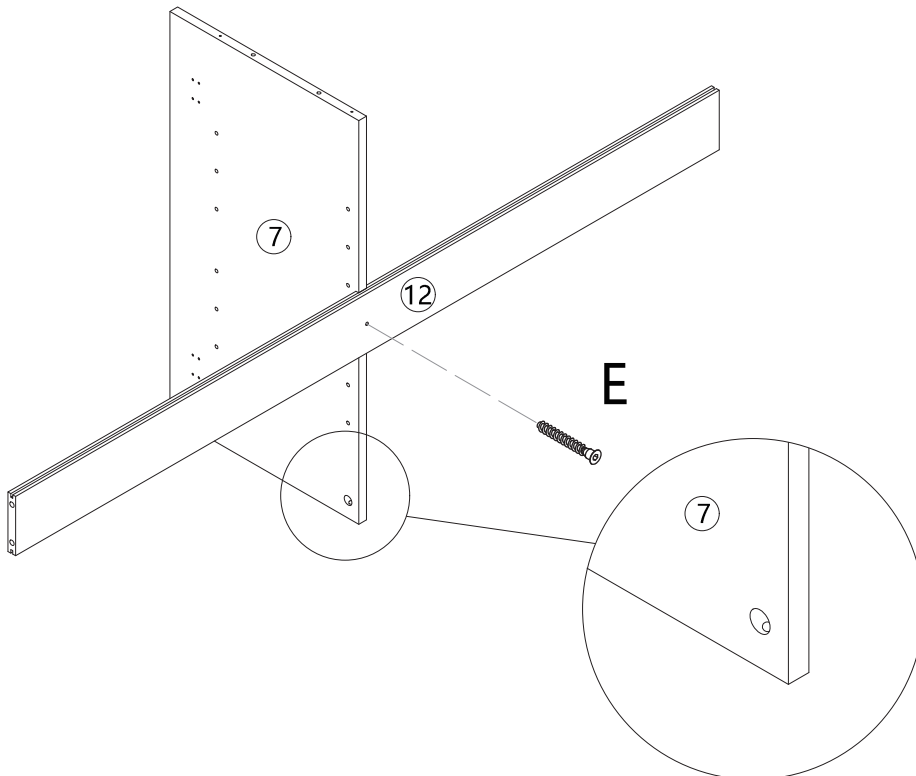
D  3PCS


5



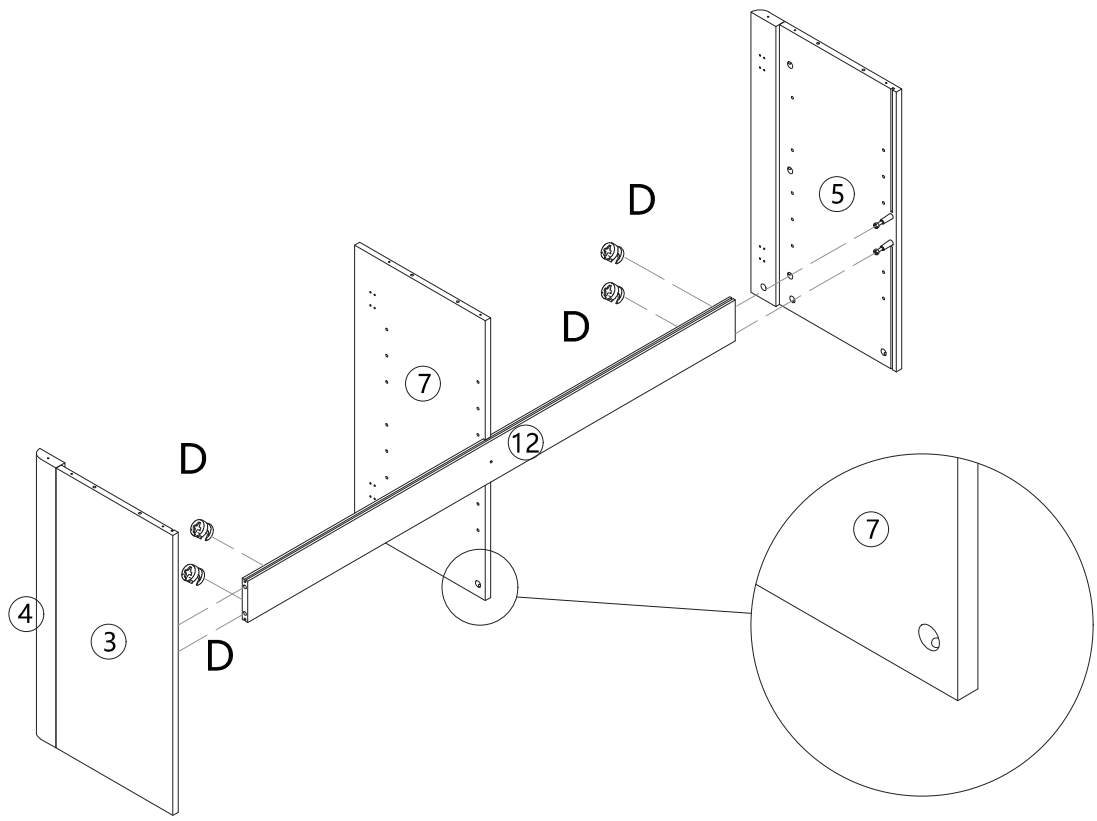
- B**  2PCS
- C**  2PCS
- D**  3PCS

6



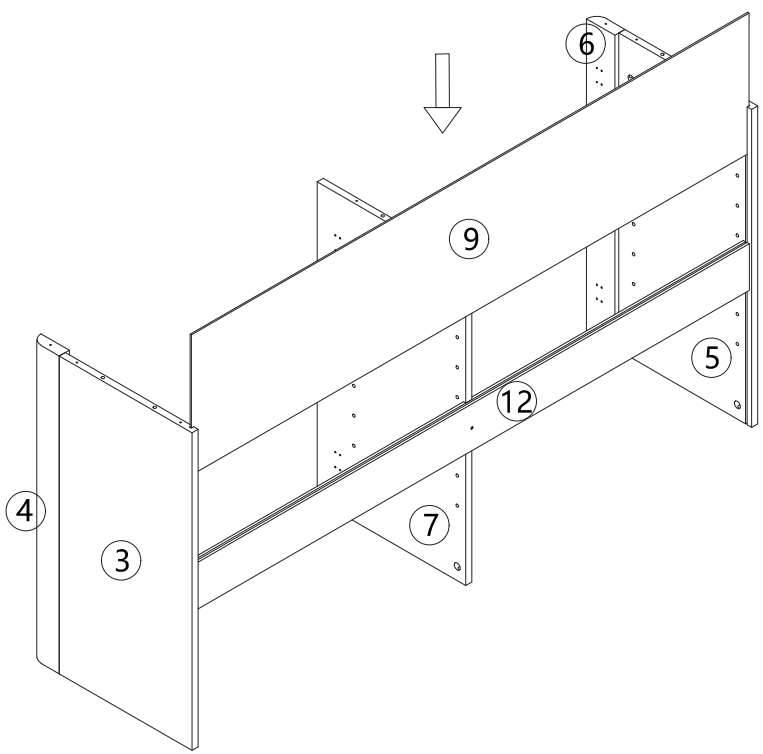
- E**  1PCS

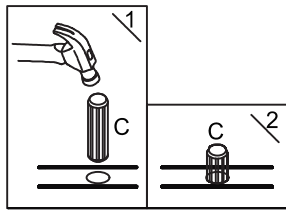
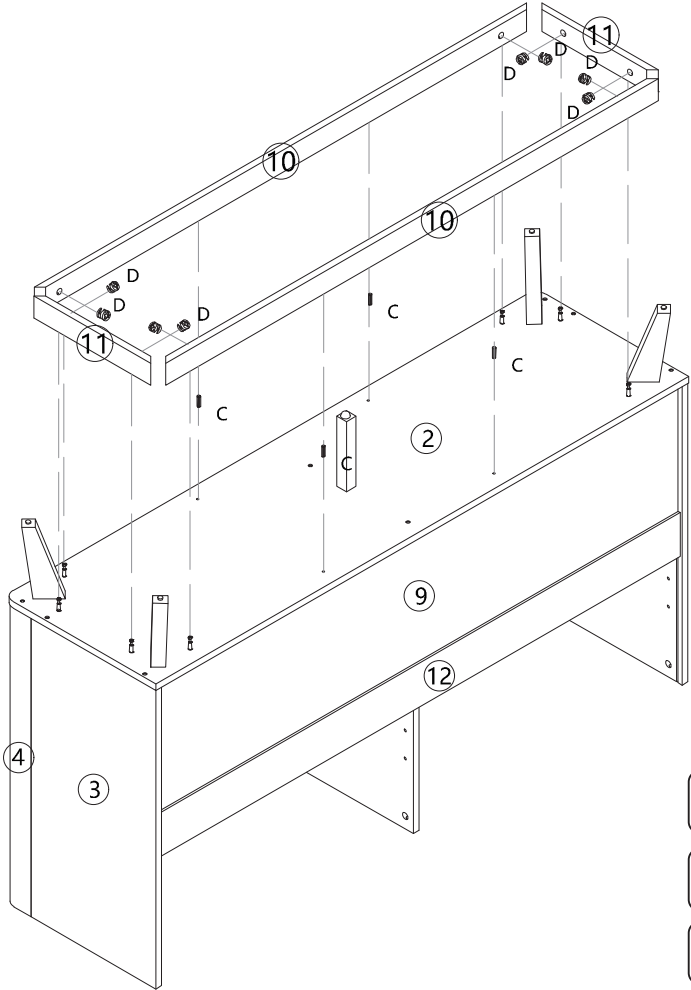
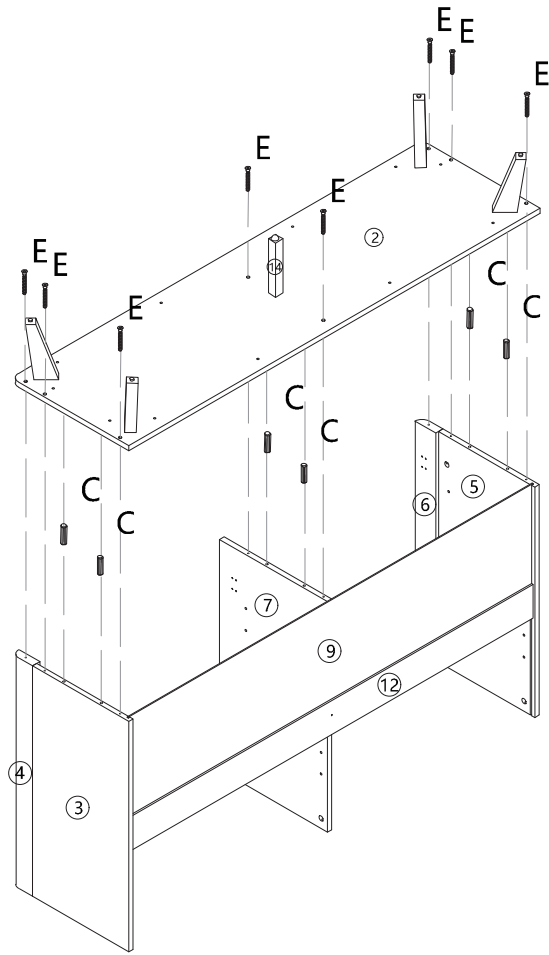
7

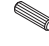




D  4PCS

8

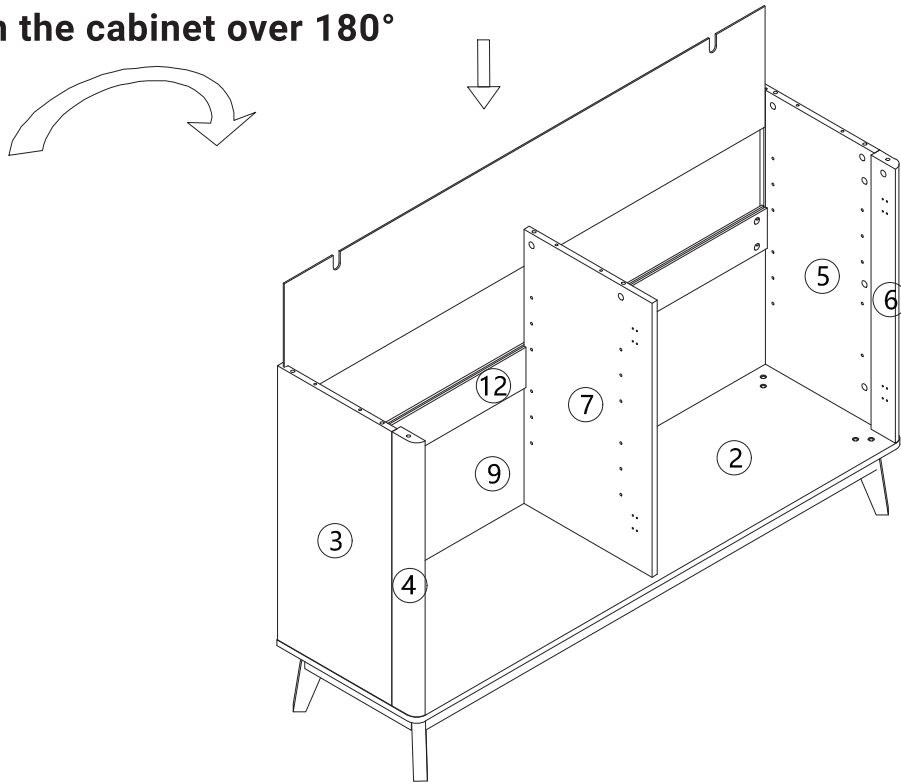




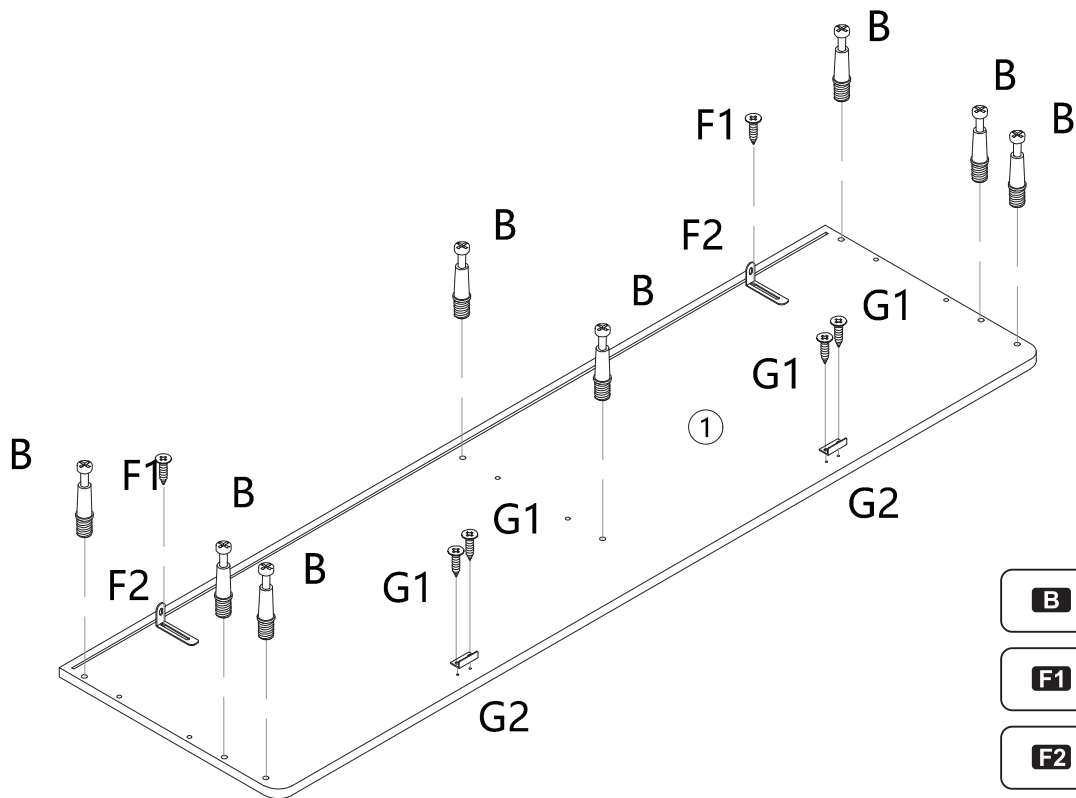
- C**  10PCS
- D**  8PCS
- E**  8PCS


10


Turn the cabinet over 180°



11




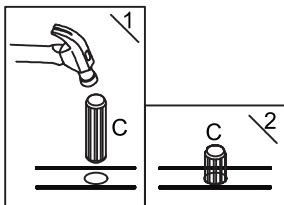
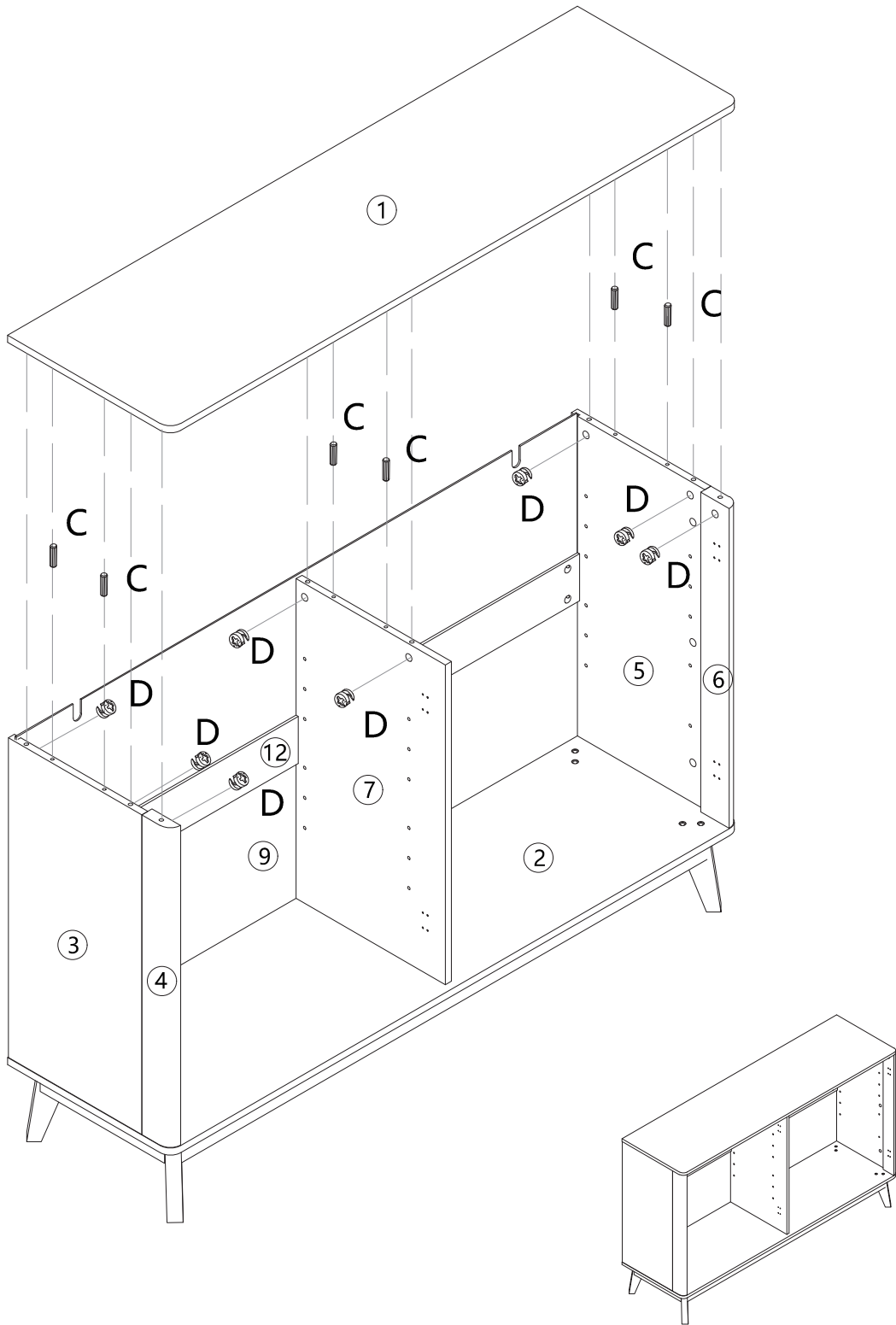
B  8PCS



F1  2PCS

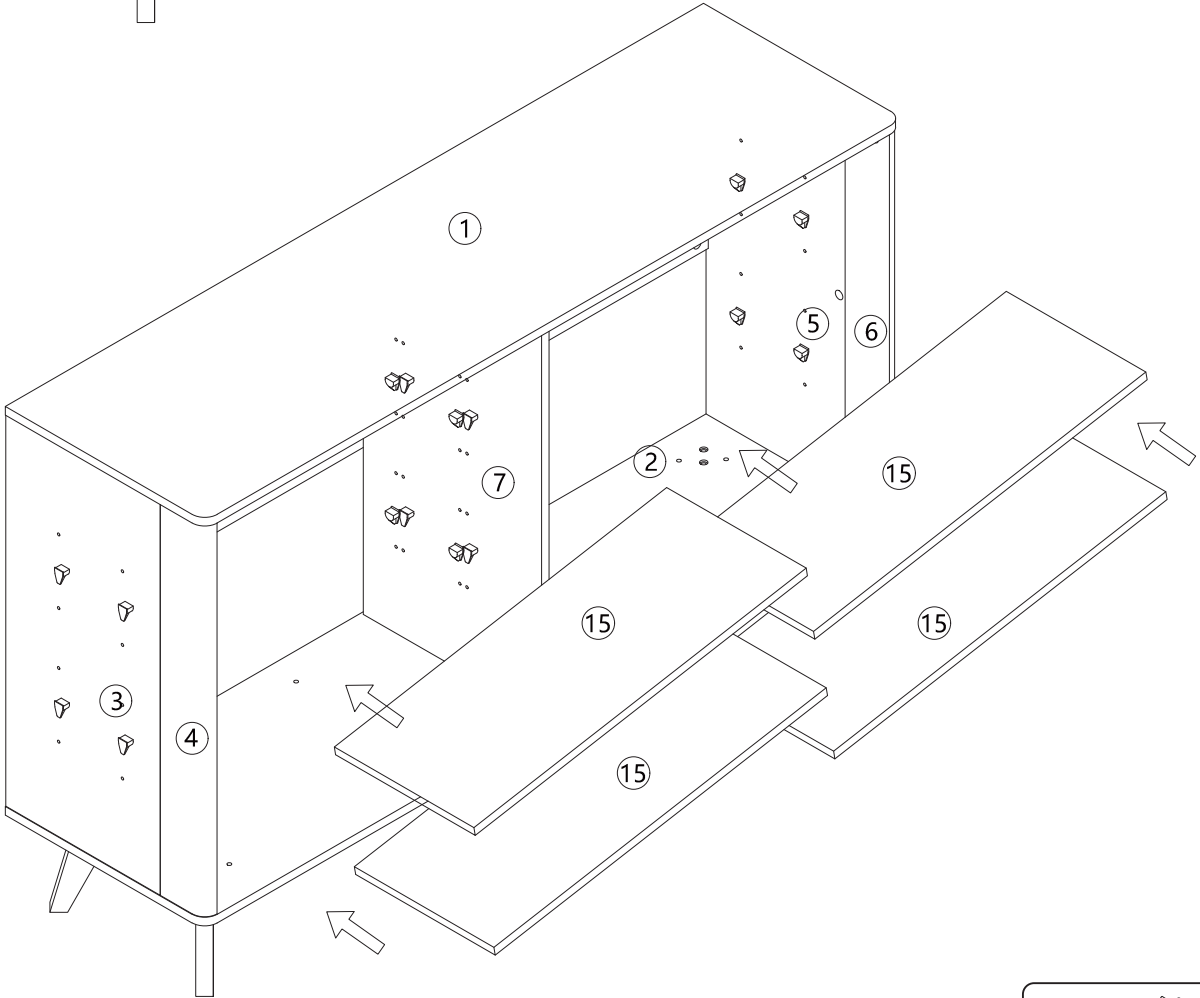
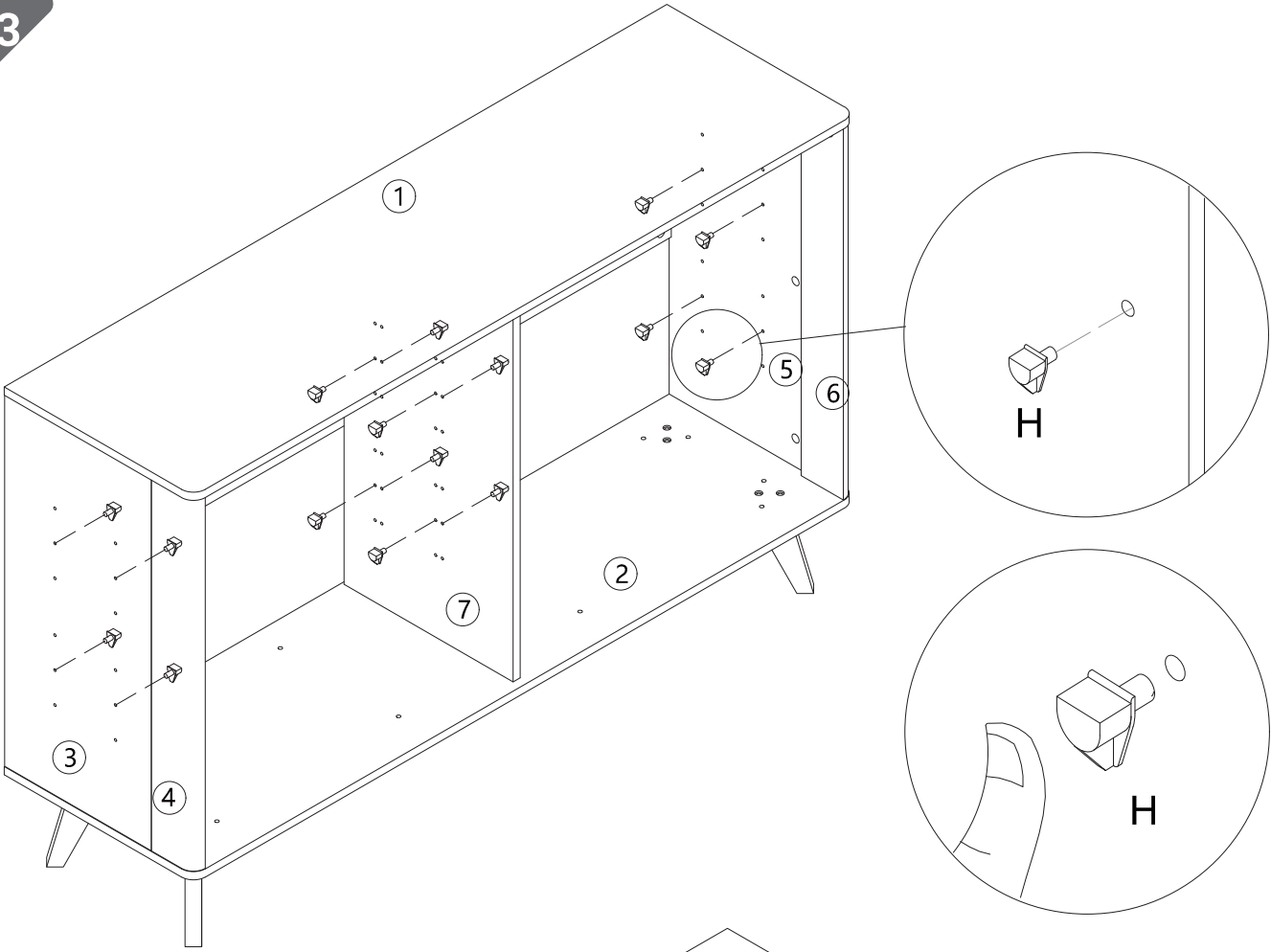
F2  2PCS


G1  4PCS

G2  2PCS

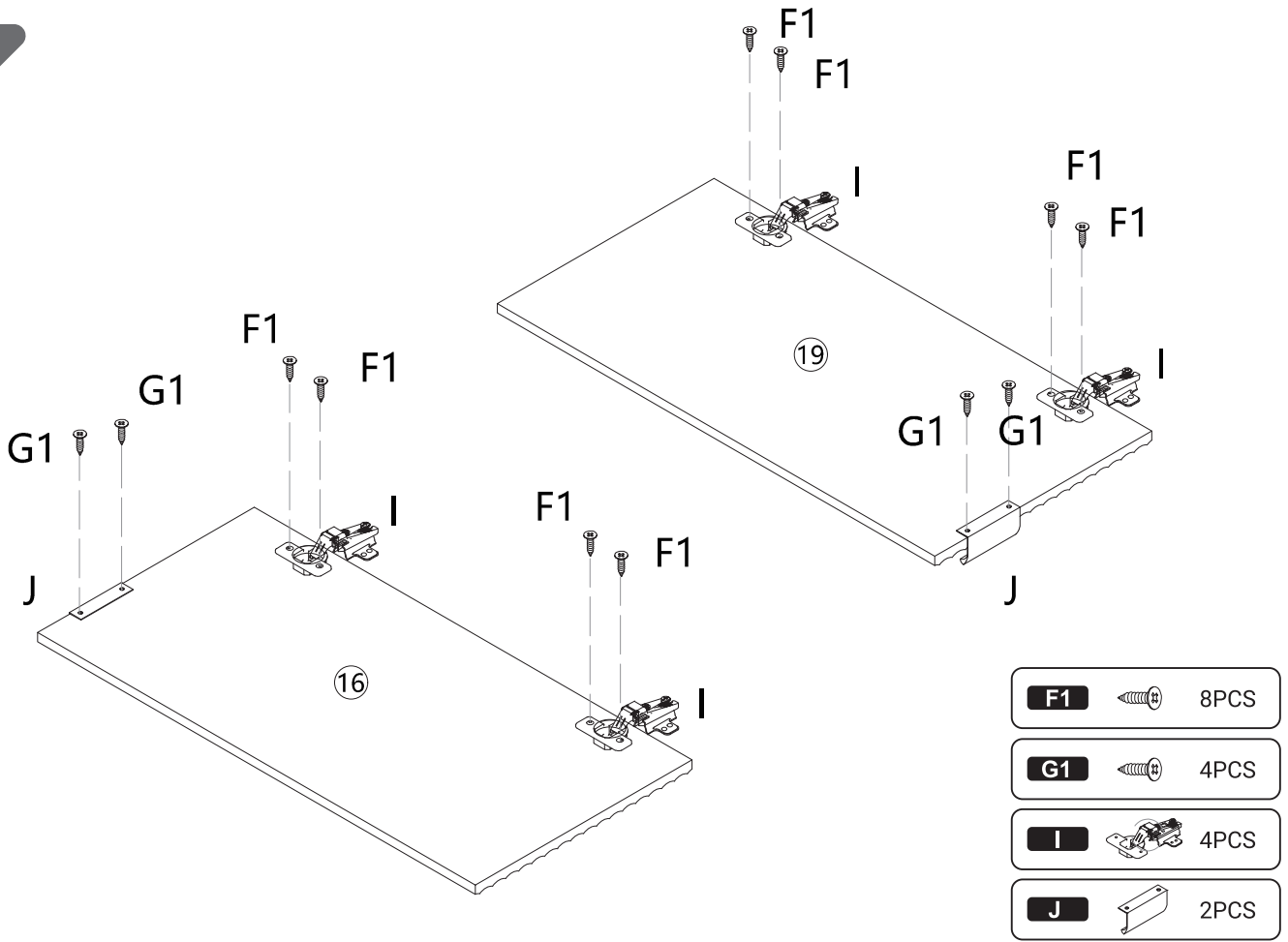


- | | | |
|----------|---|------|
| C |  | 6PCS |
| D |  | 8PCS |

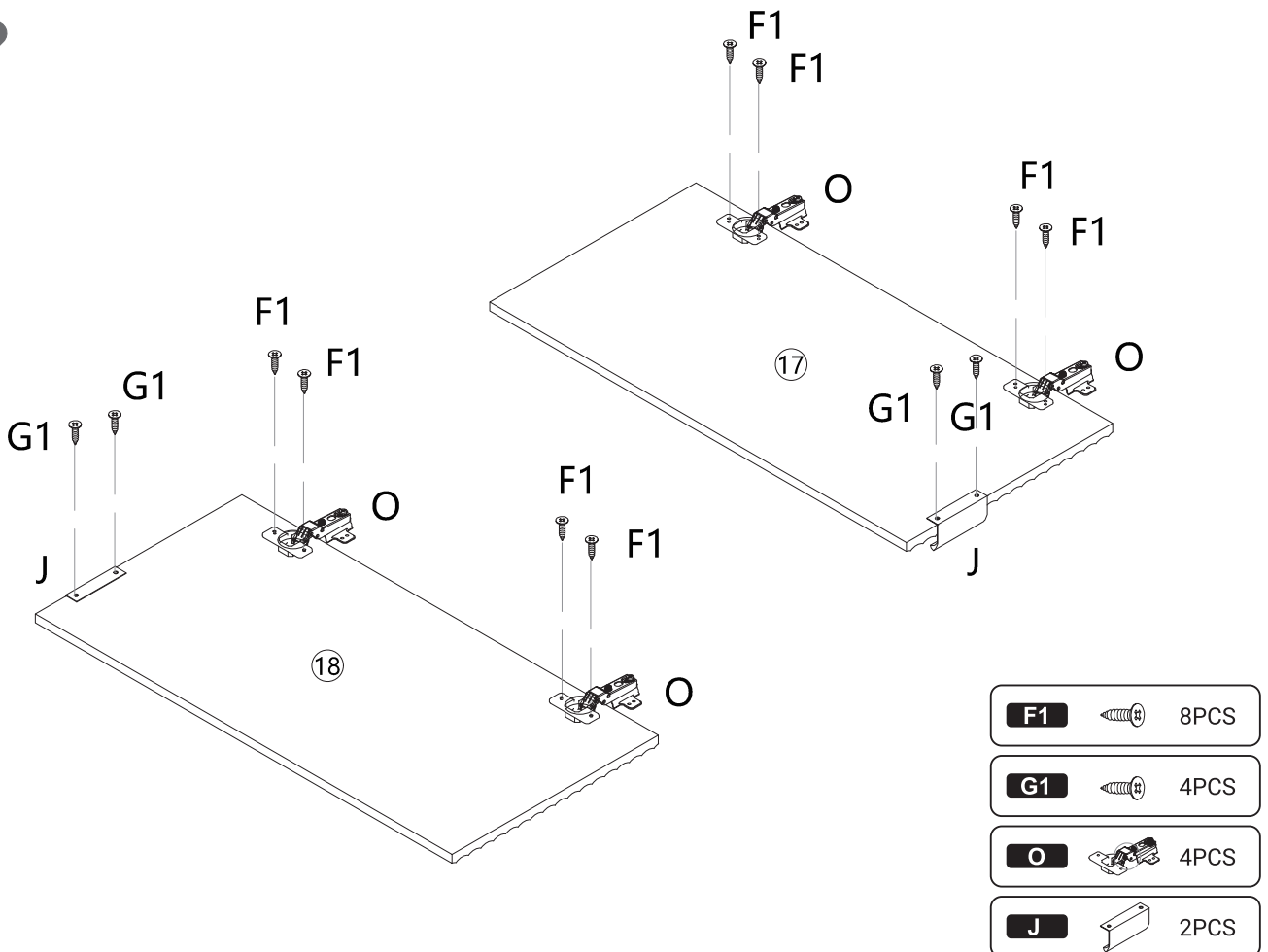


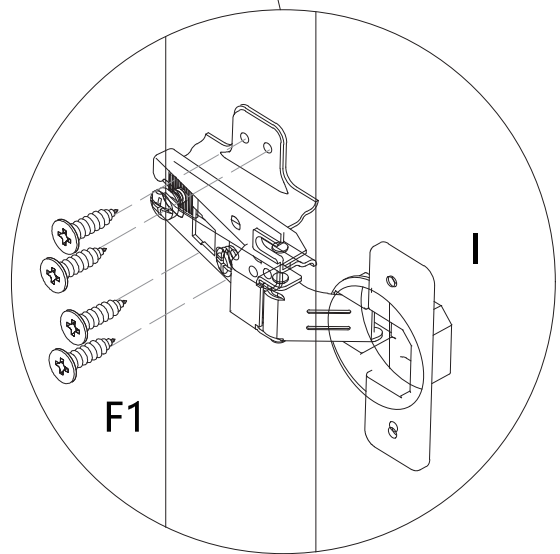
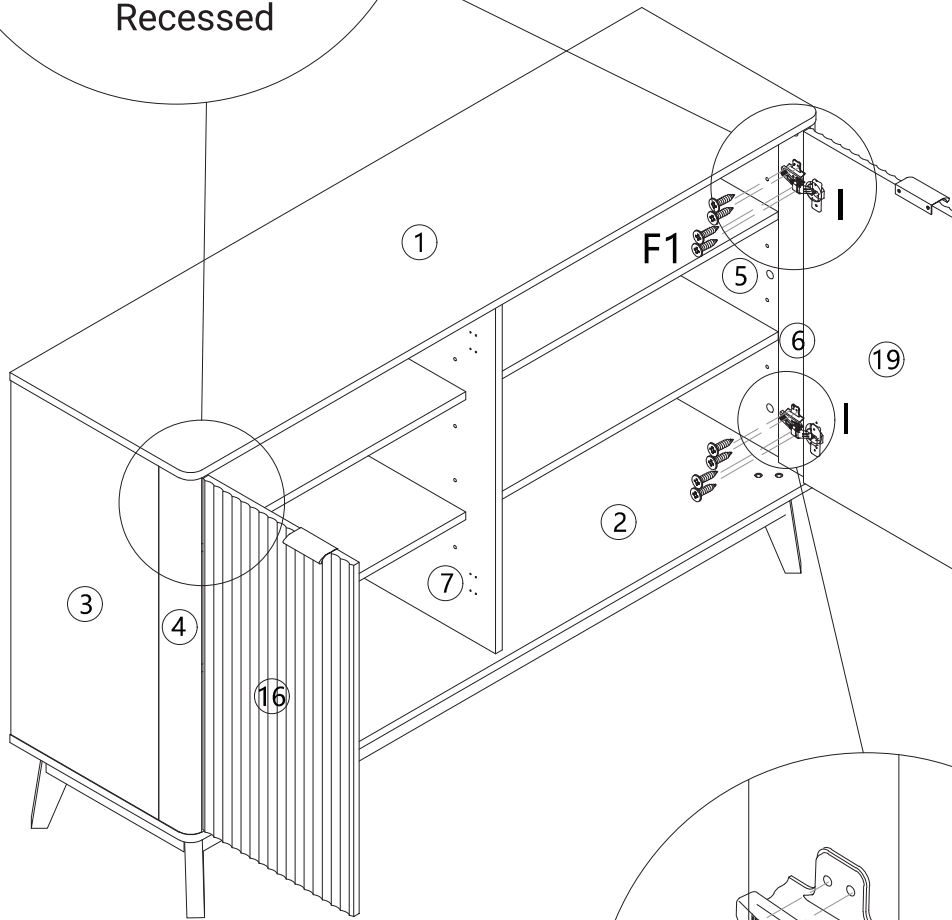
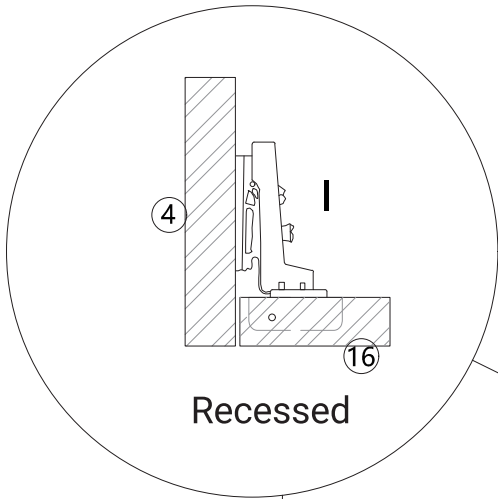
H  16PCS


14



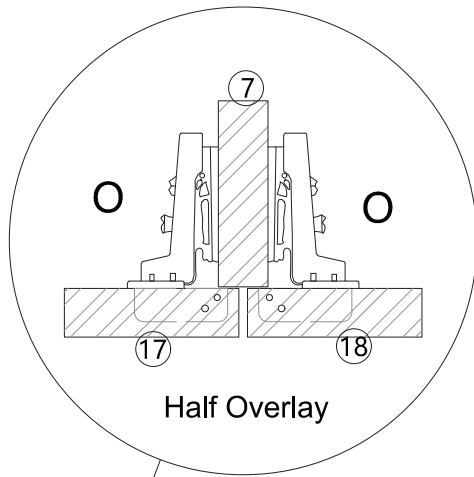
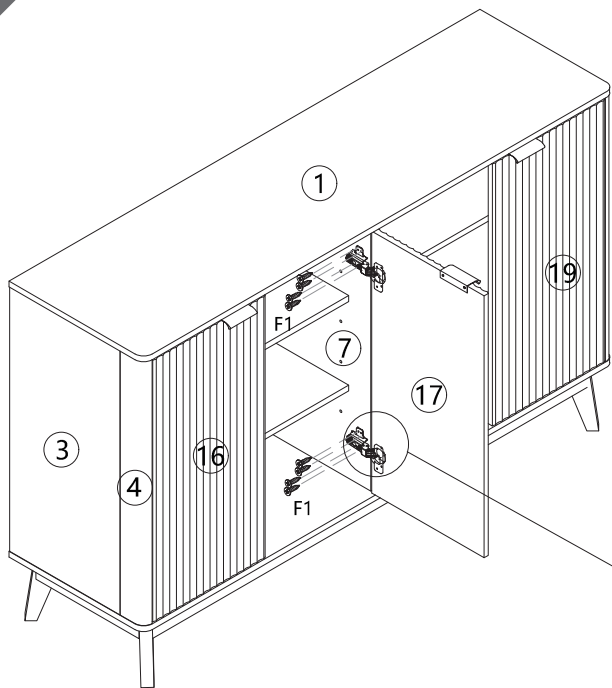
15



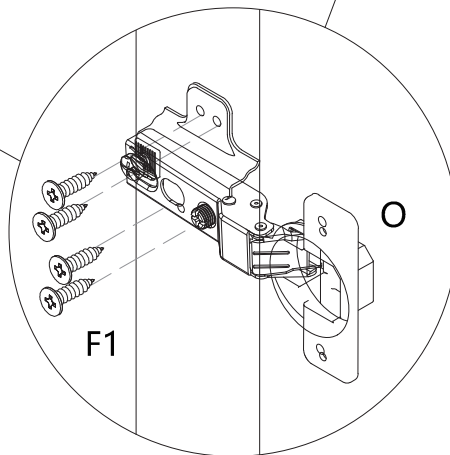


F1  16PCS

17

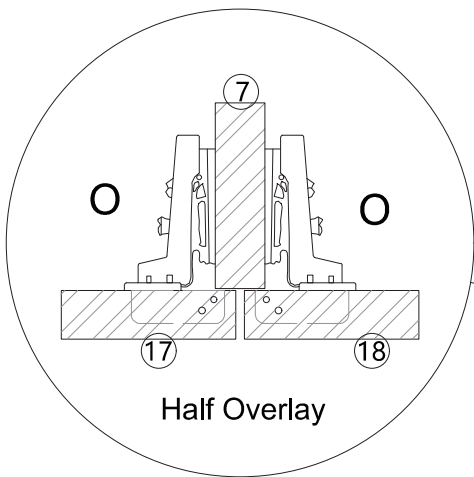
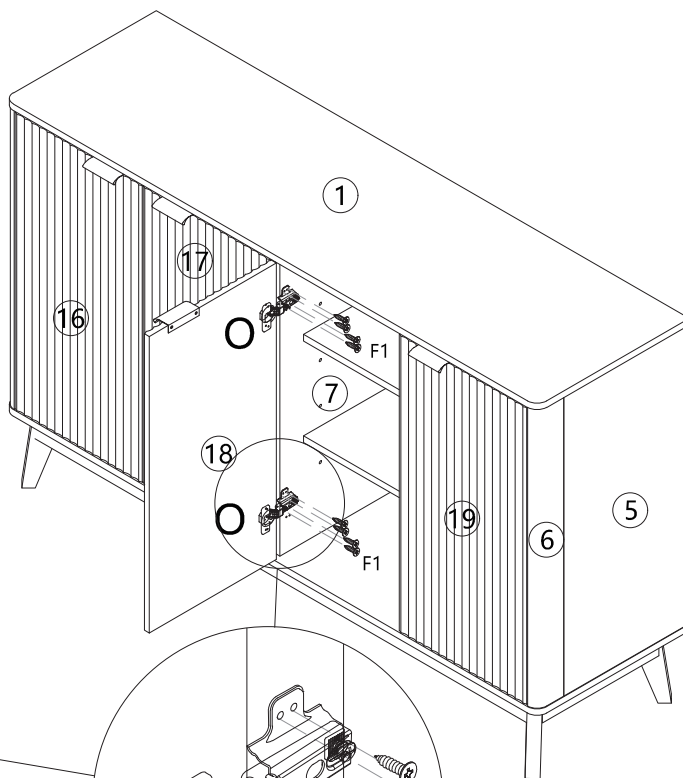


Half Overlay

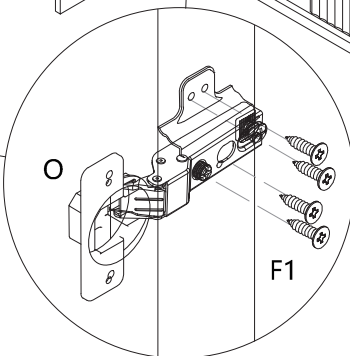



F1  8PCS

18



Half Overlay



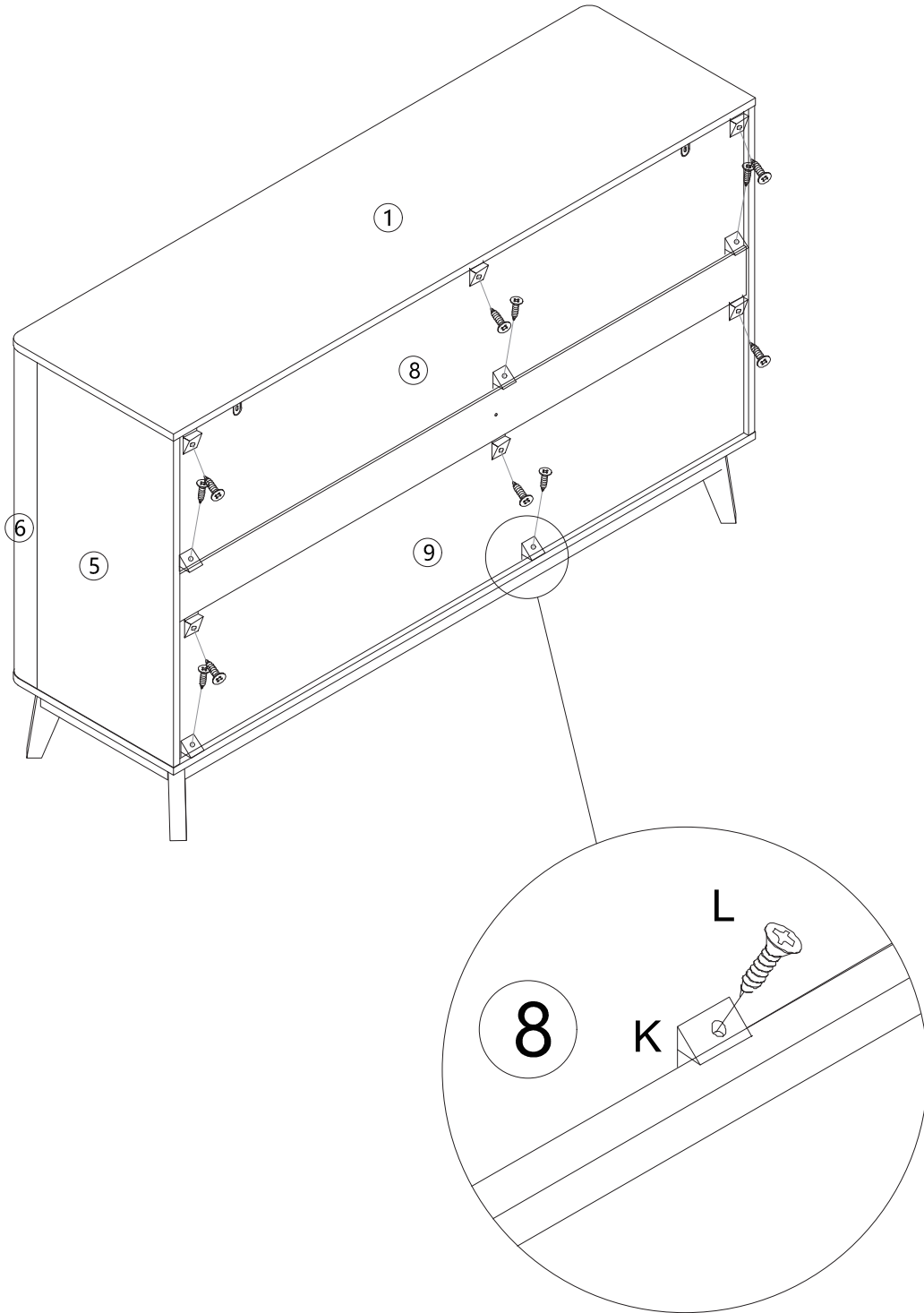
F1  8PCS

19



When the back panel buckle (K) has not yet been installed, the whole cabinet is swaying.

Please install the back panel buckle (K) as shown in the picture before use.

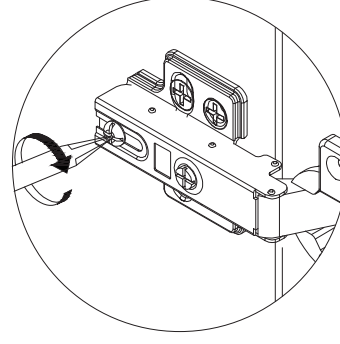
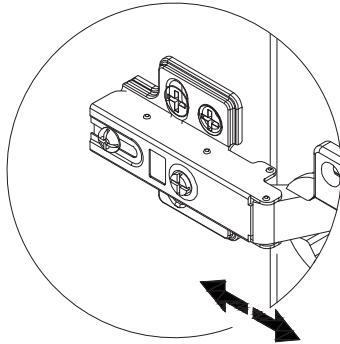
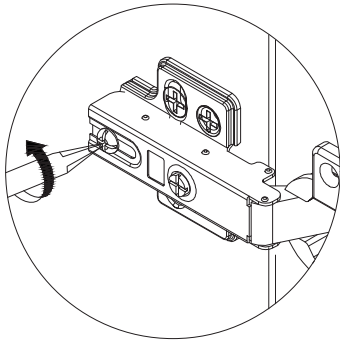
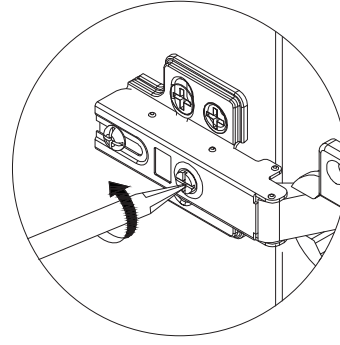
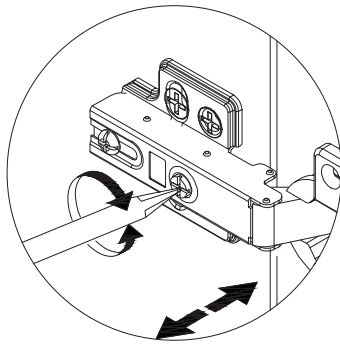
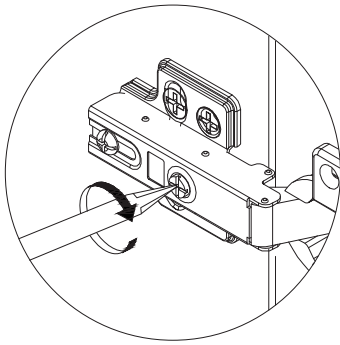
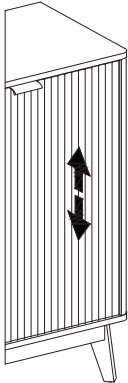
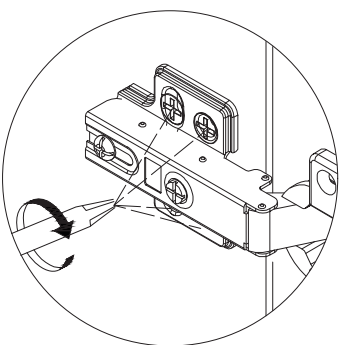
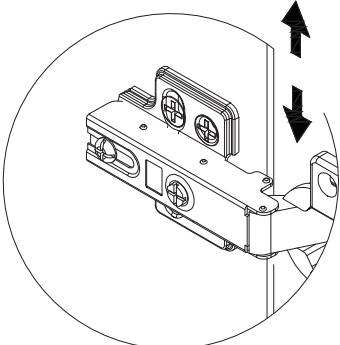
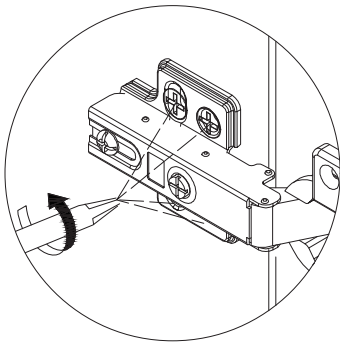


K		12PCS
----------	--	-------

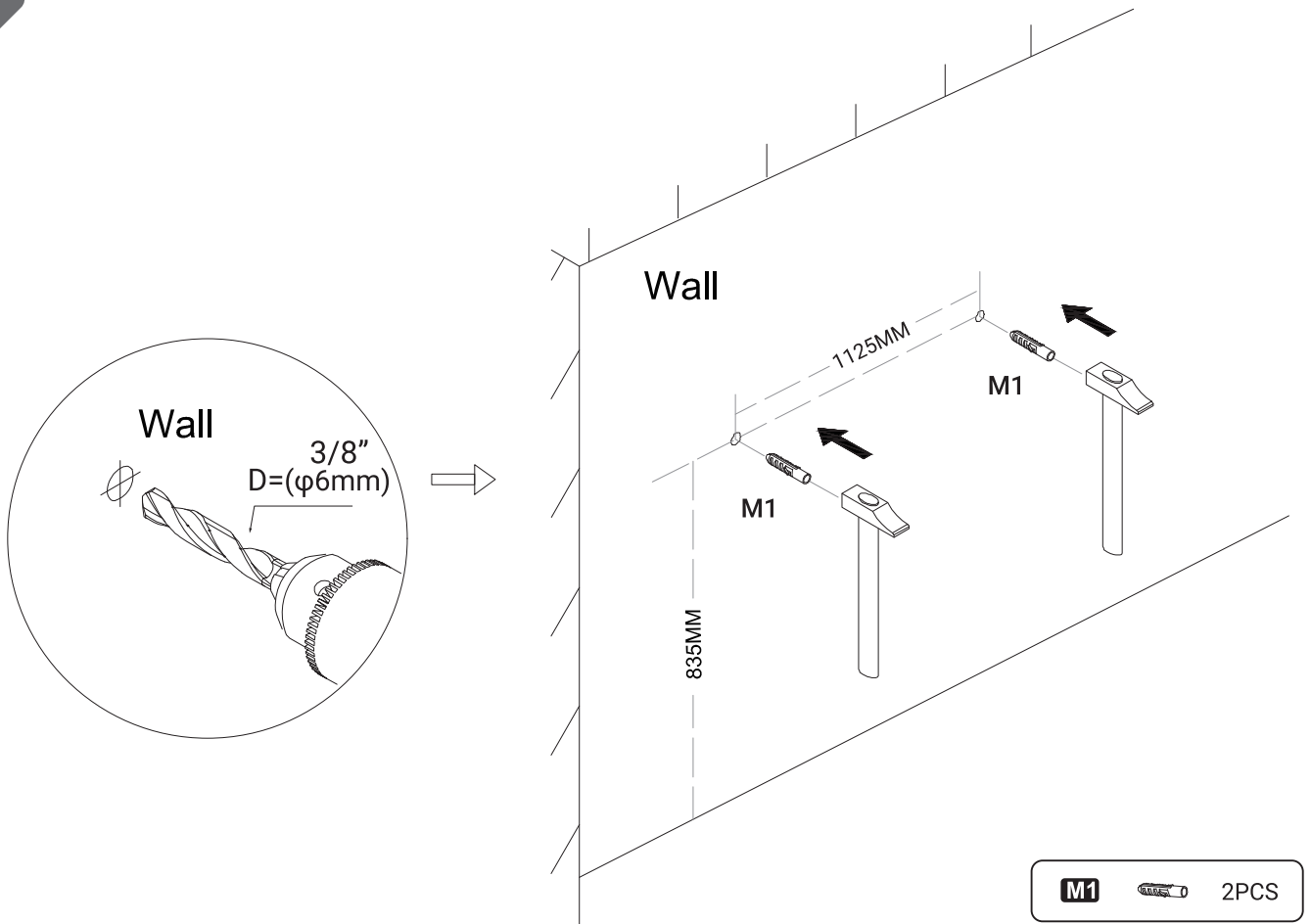
L		12PCS
----------	--	-------



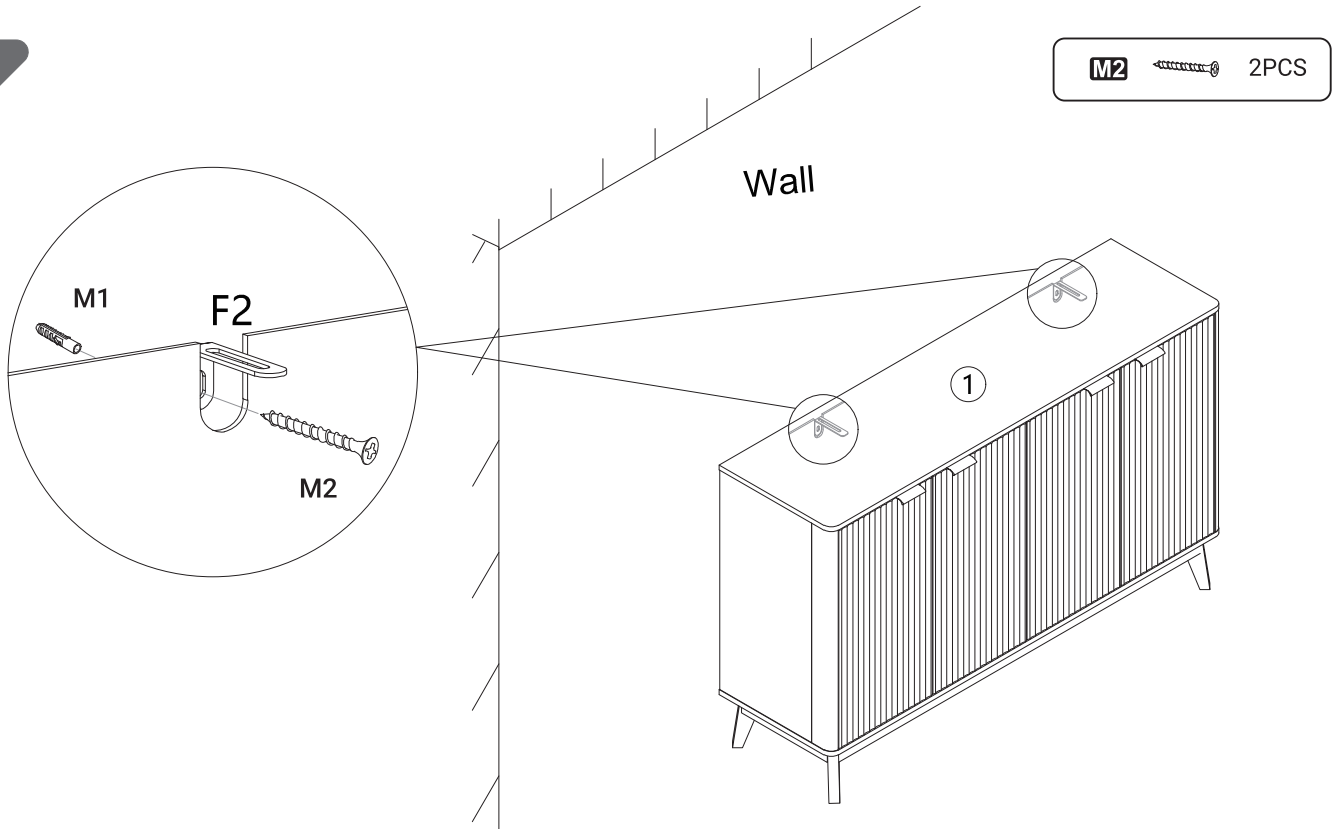
If you notice that the cabinet doors are not properly aligned, such as significant gaps or vertical or horizontal misalignment, please adhere to the following adjustment instructions.



21



22



There is a risk of the cabinet tipping over if the anti-tip kit (F2) is not installed. Before use, install the anti-tip kit (F2) as shown in the illustration.



CREATE YOUR FAVOURITE LIFE

Brand Support

Thank you for your support and for choosing our brand.
We greatly appreciate your business.

If you have any problem, please feel free to contact us:



support@favour-life.com