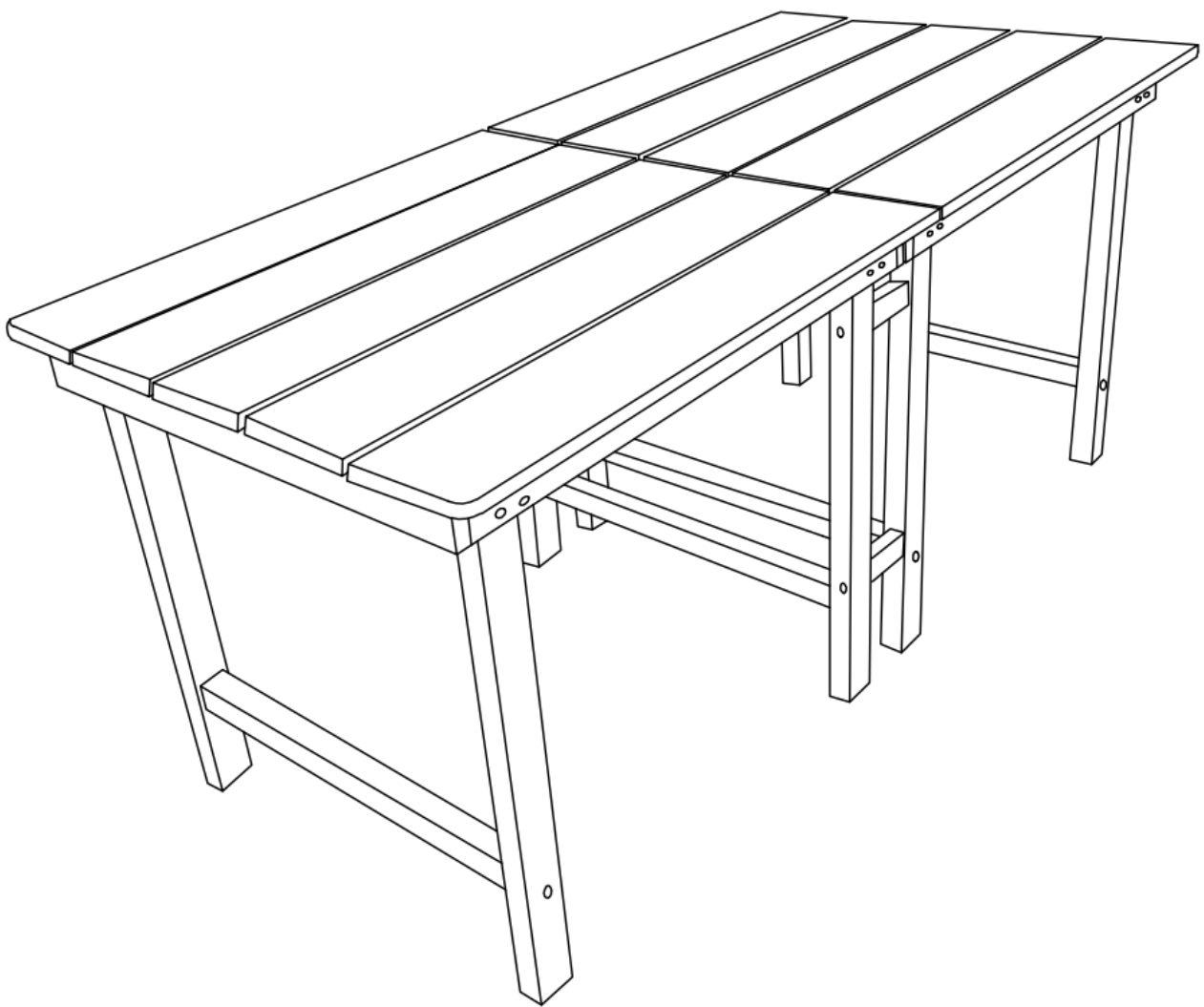
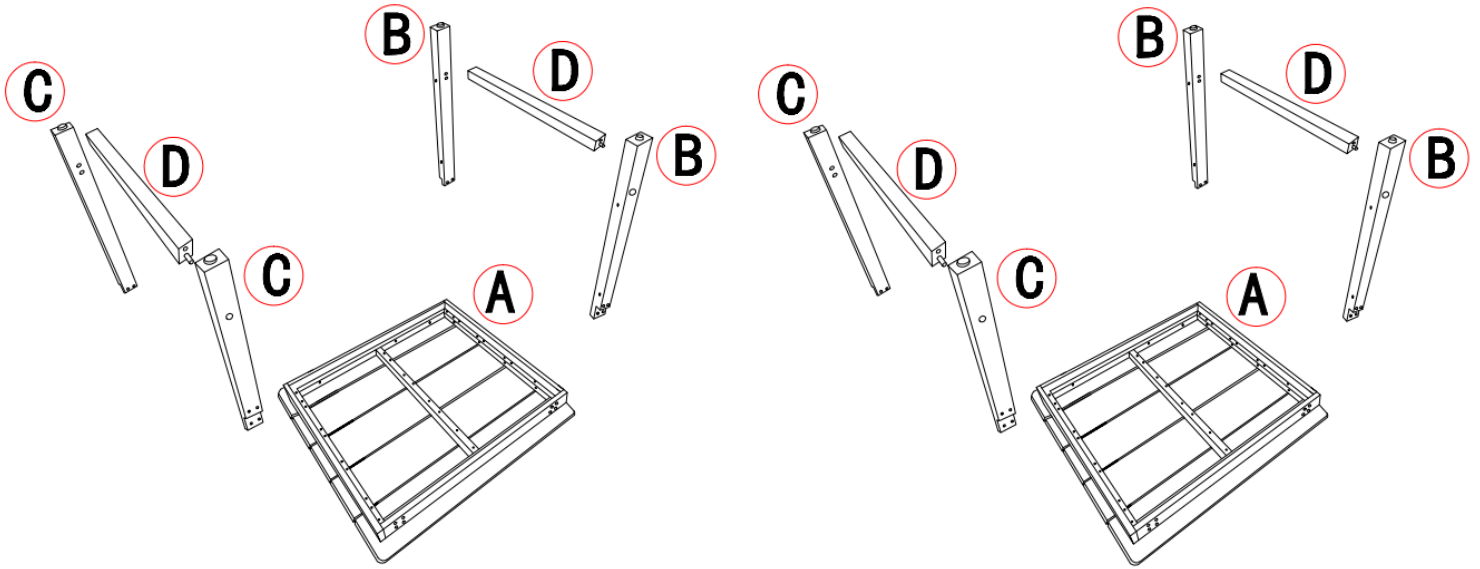


Outdoor Dining Table Assembly Instruction



PARTS



HARDWARE LIST

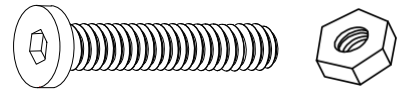
E



M6*60

8PCS

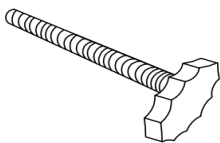
G



M6*65

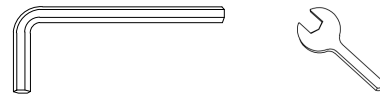
32PCS

H



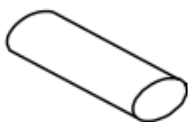
M6*80

8PCS



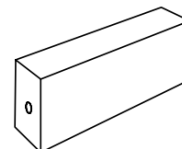
1PCS

I



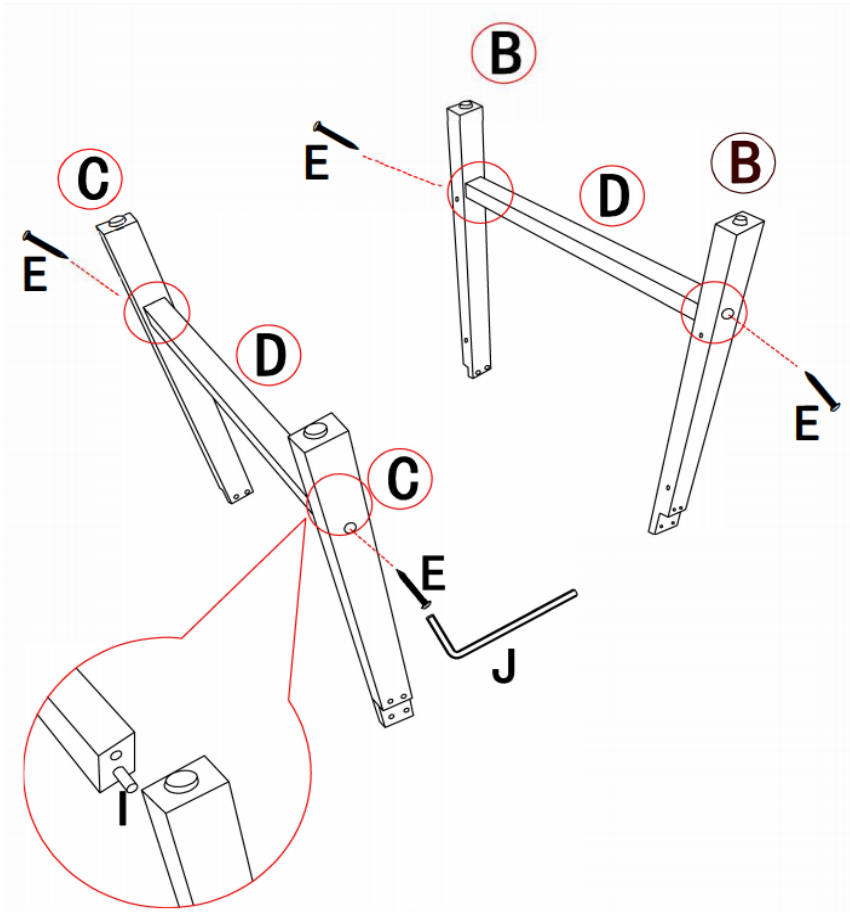
8PCS

K



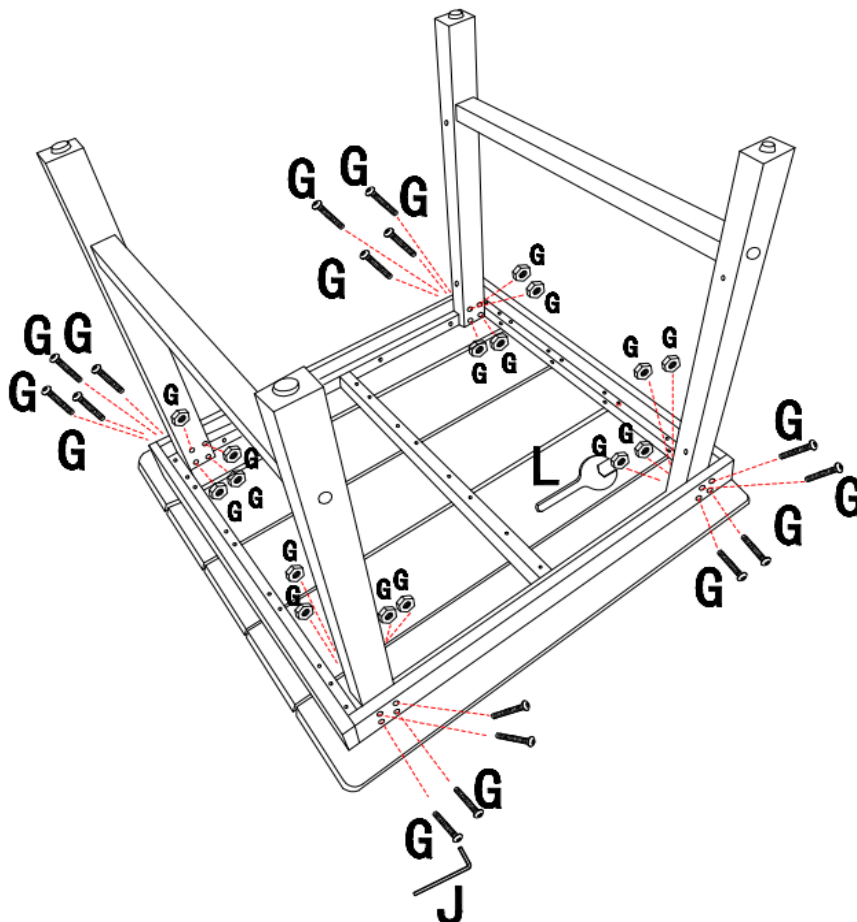
4PCS

Step1



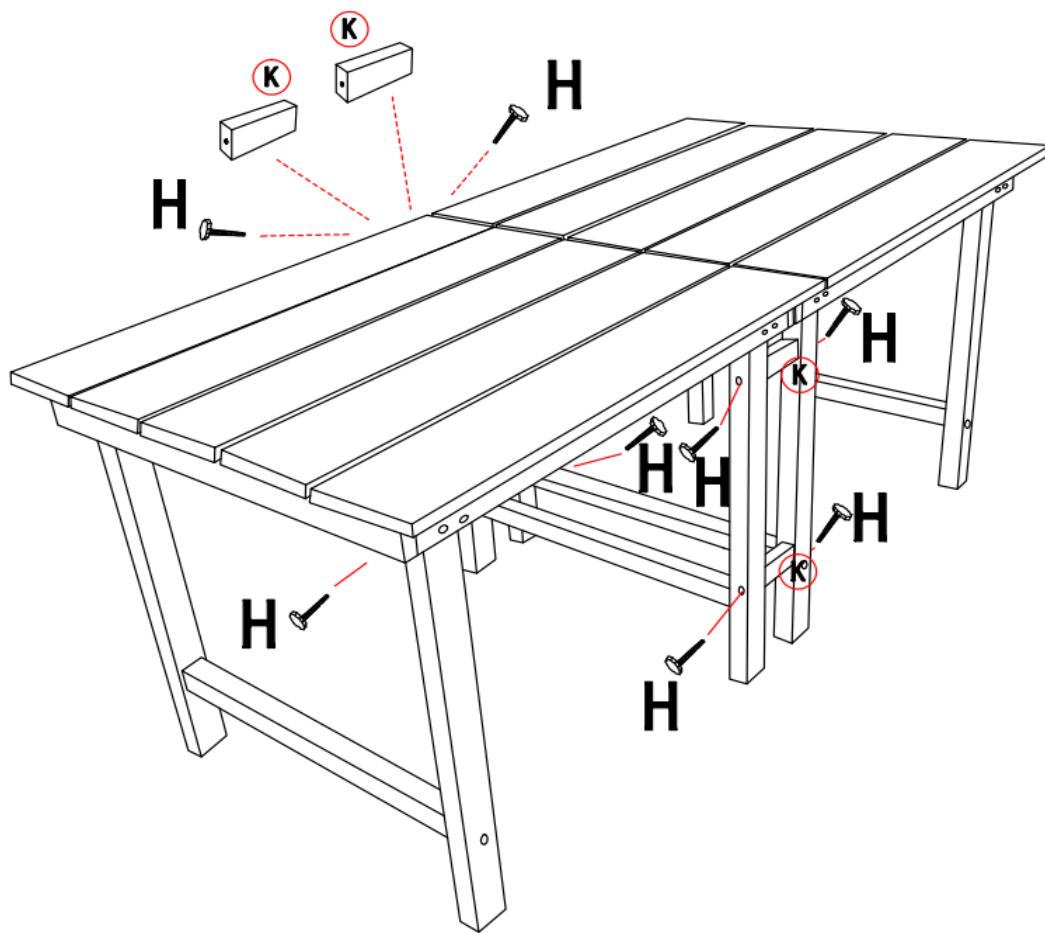
I*4
E*4

Step2



G*16

Step3



K*4
H*8