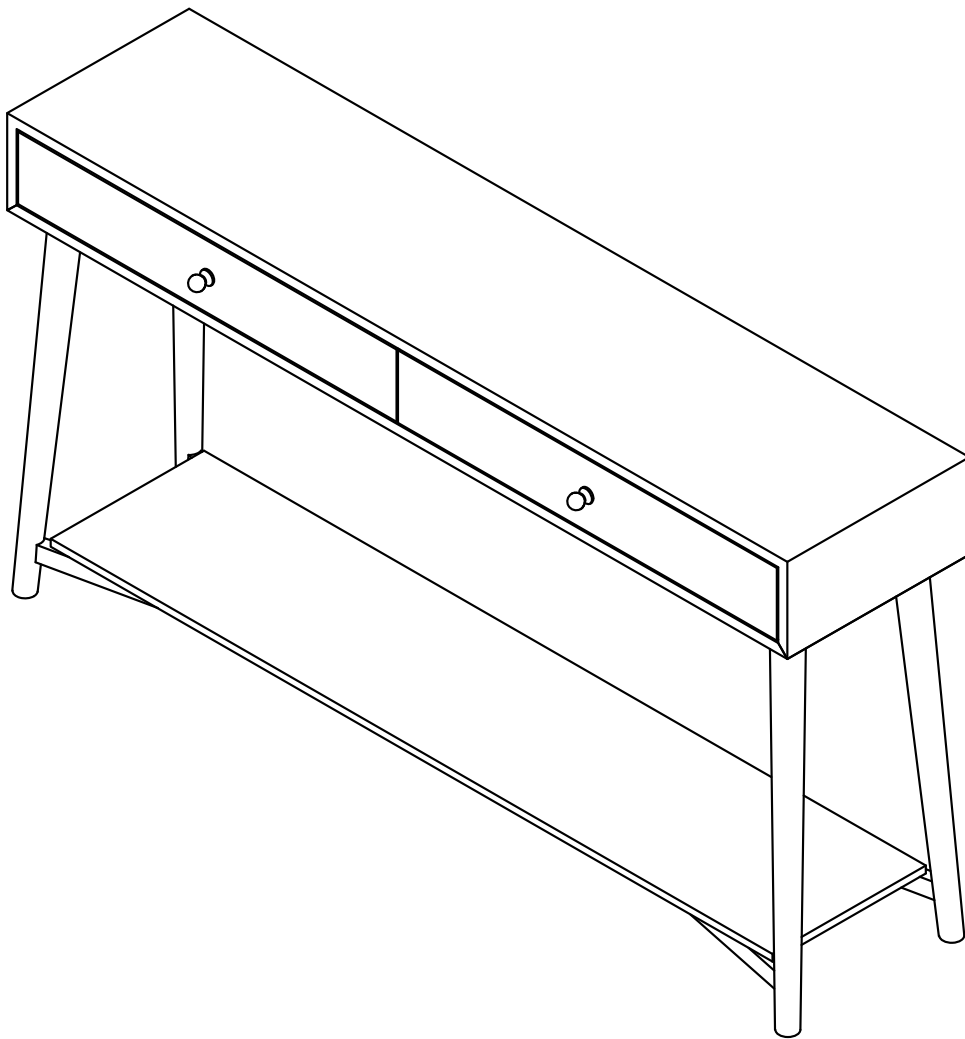
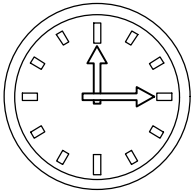


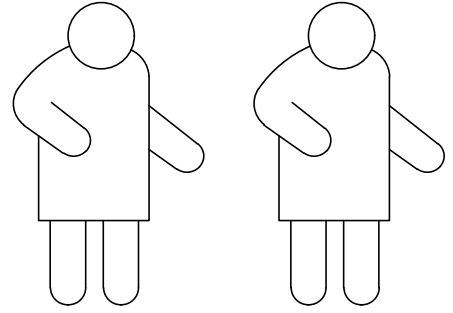
Assembly Instructions

CONSOLE TABLE

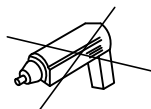
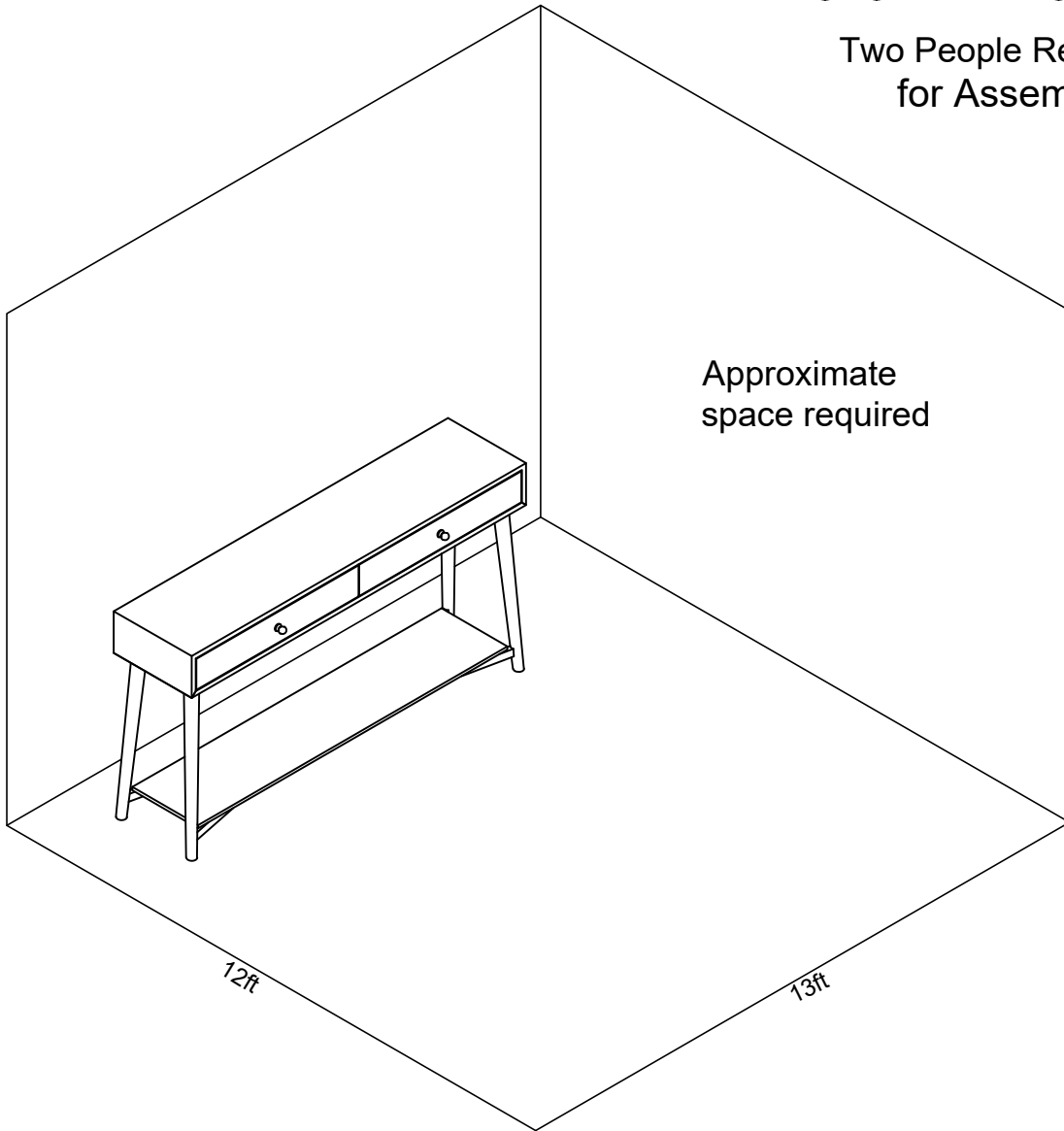




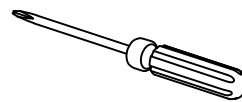
15 min



Two People Required
for Assembly



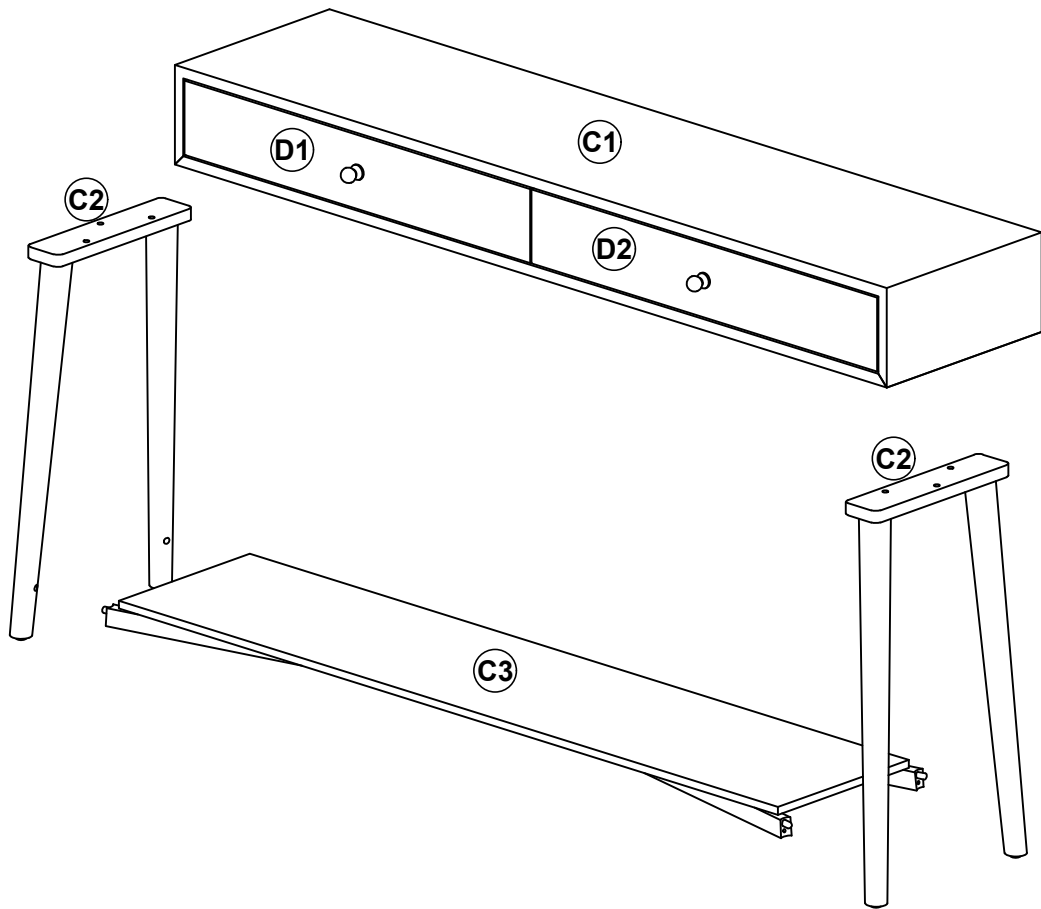
Do Not Use Power Tools



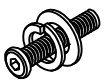
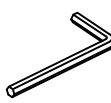
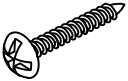

Phillips Head (Not Provided)

PARTS INCLUDED

- (C1) Top
- (C2) Side Legs x2
- (C3) Bottom Shelf
- (D1) Drawer 1
- (D2) Drawer 2



Hardware Pack

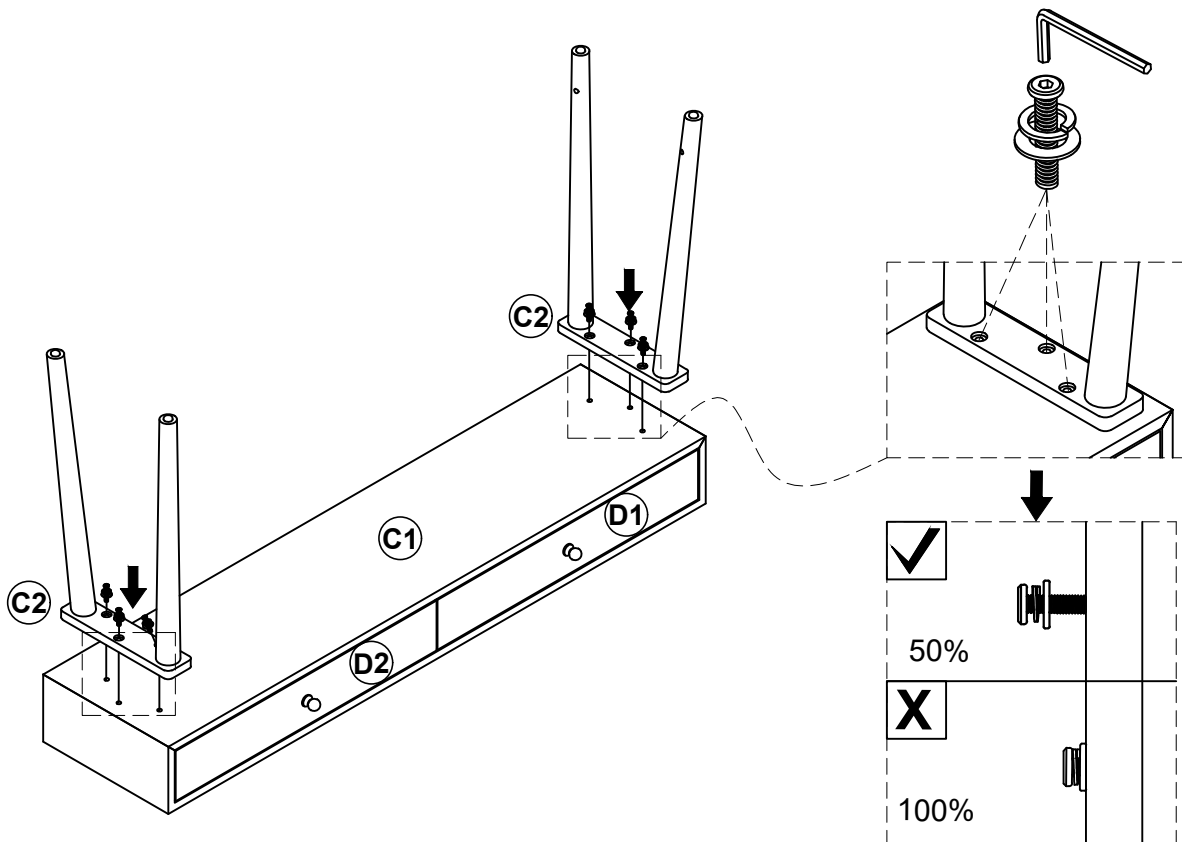
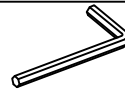
<p>A</p> <p>Ø6x35 (mm) : 6pcs</p> 	<p>B</p> <p>1pc</p> 	<p>C</p> <p>Ø4x35 (mm) : 4pcs</p> 
<p>ANTI-TIP SET</p> 		

1

A x 6

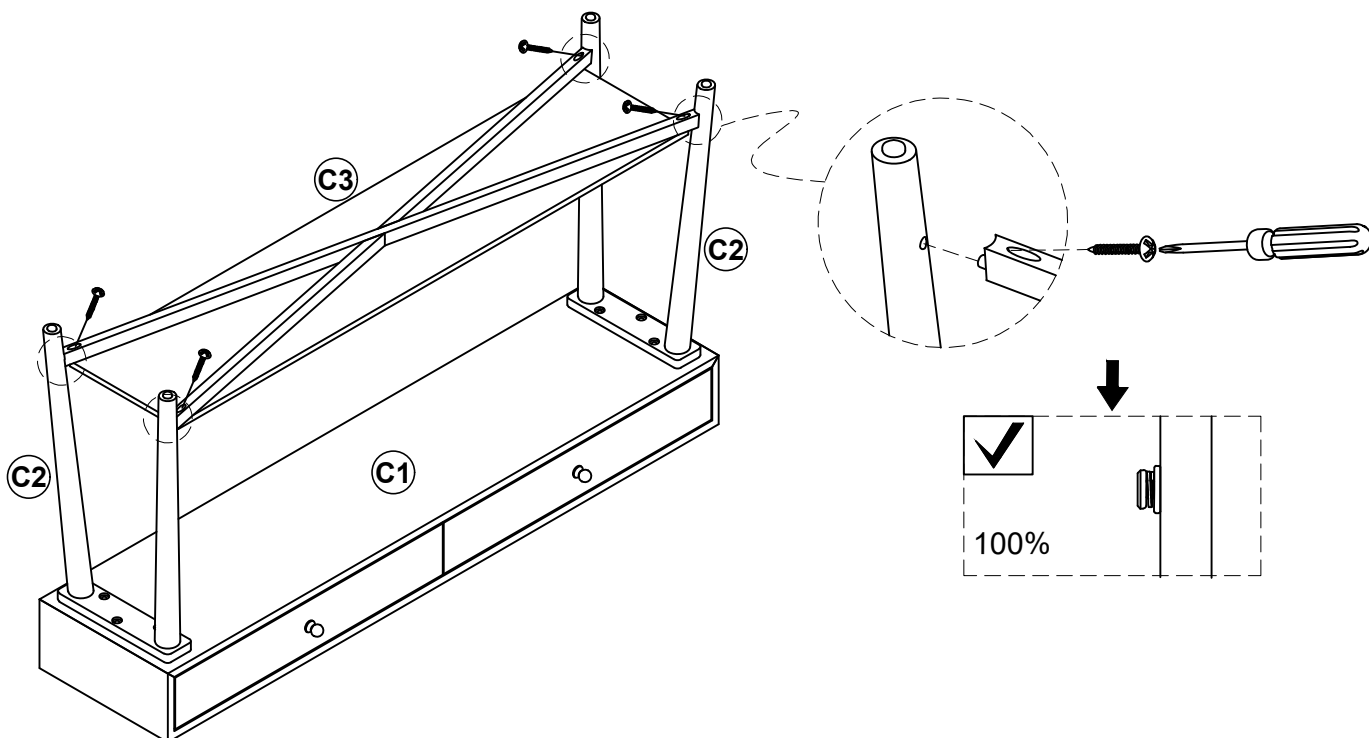
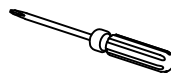
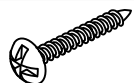


B x 1

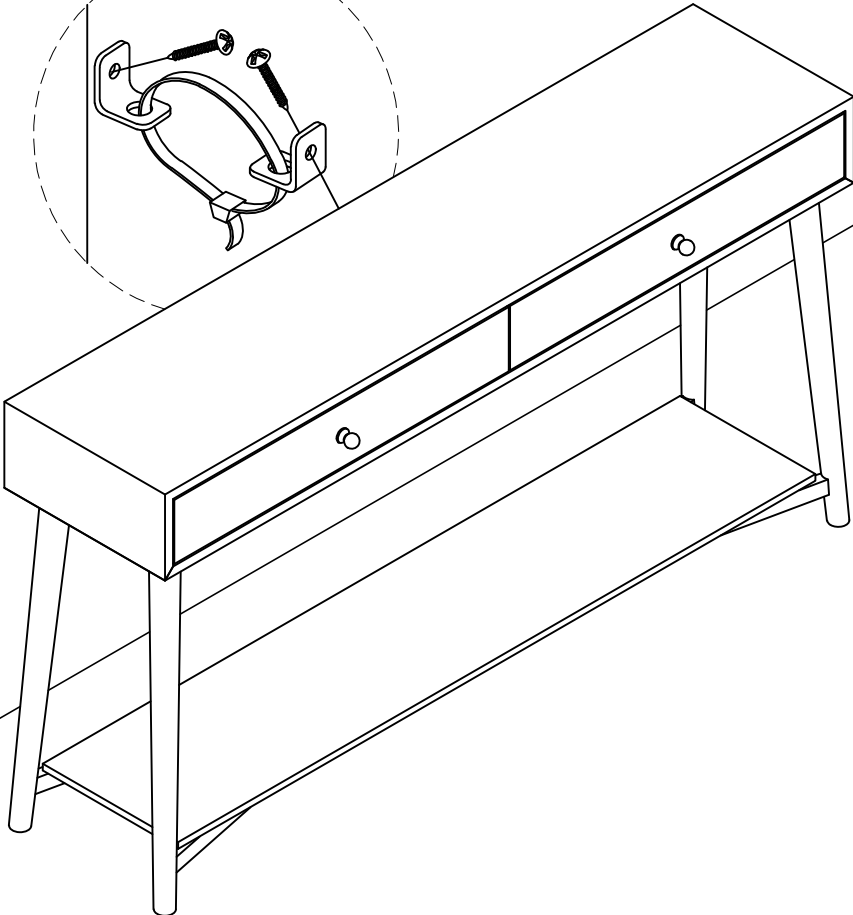
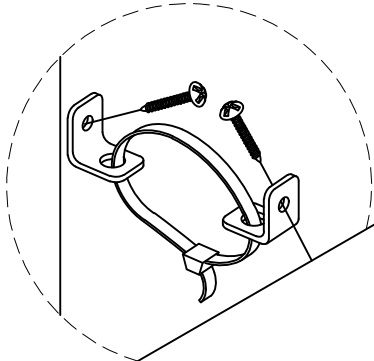
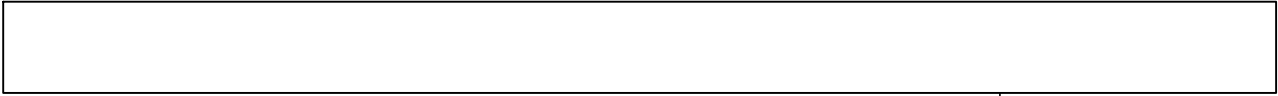


2

C x 4



3



ANTI-TIP SET

